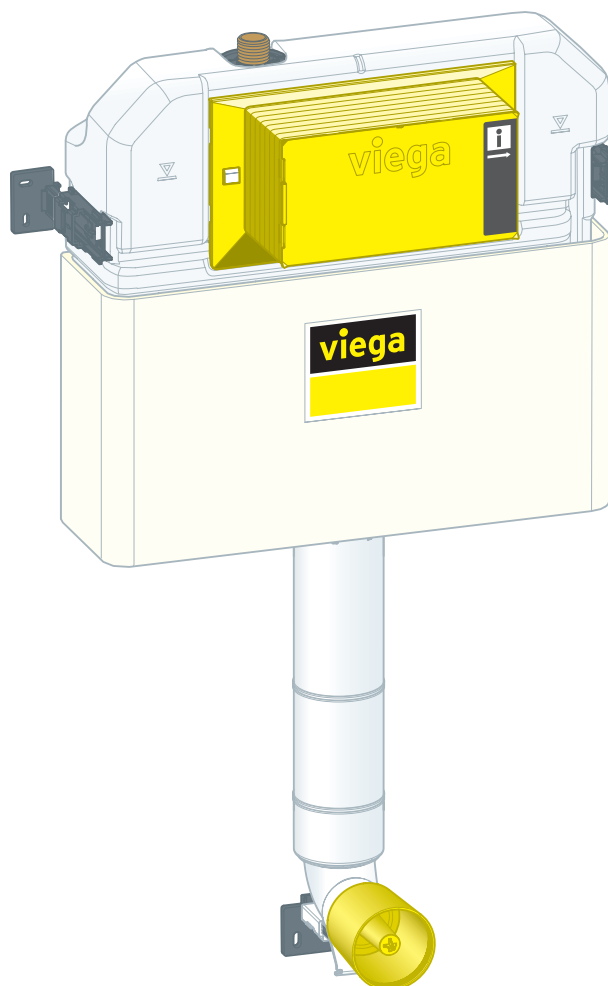


# 3H concealed cistern

## Instructions for Use



for floor-standing WC, walling in and around, compatible with all  
WC flush plates for Prevista

**Model**  
8502

**Year built:**  
from 09/2018

en\_INT





# Table of contents

<b>1</b>	<b>About these instructions for use</b>	<b>4</b>
1.1	Target groups	4
1.2	Labelling of notes	4
1.3	About this translated version	5
<b>2</b>	<b>Product information</b>	<b>6</b>
2.1	Standards and regulations	6
2.2	Intended use	6
2.2.1	Areas of use	6
2.3	Product description	7
2.3.1	Overview	7
2.3.2	Technical data	7
<b>3</b>	<b>Handling</b>	<b>8</b>
3.1	Assembly information	8
3.1.1	Installation dimensions	8
3.2	Assembly	10
3.2.1	Mounting concealed cisterns	10
3.2.2	Connecting concealed cistern	13
3.2.3	Setting up and bricking in the concealed cistern	16
3.2.4	Setting the flush volume	18
3.3	Cleaning and maintenance	20
3.4	Disposal	20

# 1 About these instructions for use

Trade mark rights exist for this document; for further information, go to [viega.com/legal](http://viega.com/legal).

## 1.1 Target groups

The information in this instruction manual is directed at the following groups of people:

- Heating and sanitary professionals and trained personnel
- Drywall builder

Individuals without the abovementioned training or qualification are not permitted to mount, install and, if required, maintain this product. This restriction does not extend to possible operating instructions.

The installation of Viega products must take place in accordance with the general rules of engineering and the Viega instructions for use.

## 1.2 Labelling of notes

Warning and advisory texts are set aside from the remainder of the text and are labelled with the relevant pictographs.



### **DANGER!**

This symbol warns of possible life-threatening injury.



### **WARNING!**

This symbol warns of possible serious injury.



### **CAUTION!**

This symbol warns of possible injury.



### **NOTICE!**

This symbol warns of possible damage to property.



*This symbol gives additional information and hints.*

### 1.3 About this translated version

This instruction for use contains important information about the choice of product or system, assembly and commissioning as well as intended use and, if required, maintenance measures. The information about the products, their properties and application technology are based on the current standards in Europe (e.g. EN) and/or in Germany (e.g. DIN/DVGW).

Some passages in the text may refer to technical codes in Europe/Germany. These should serve as recommendations in the absence of corresponding national regulations. The relevant national laws, standards, regulations, directives and other technical provisions take priority over the German/European directives specified in this manual: The information herein is not binding for other countries and regions; as said above, they should be understood as a recommendation.

## 2 Product information

### 2.1 Standards and regulations

The following standards and regulations apply to Germany / Europe and are provided as a support feature.

#### Regulations from section: Fields of application

Scope / Notice	Regulations applicable in Germany
Specifications for installations inside buildings conveying water for human consumption	EN 806-2

### 2.2 Intended use

#### 2.2.1 Areas of use

The 3H concealed cistern is suitable for mounting on a floor-standing WC and for walling in or around. Flush actuation is possible from the front.

This model is equipped with dual flush technology and is delivered without flush plates. For complete mounting, a WC flush plate for Pre-vista must be purchased additionally.

The cistern is designed to supply cold water. The application limits must be taken into account for the cold water supply, see ↗ „Regulations from section: Fields of application“ on page 6.

## 2.3 Product description

### 2.3.1 Overview

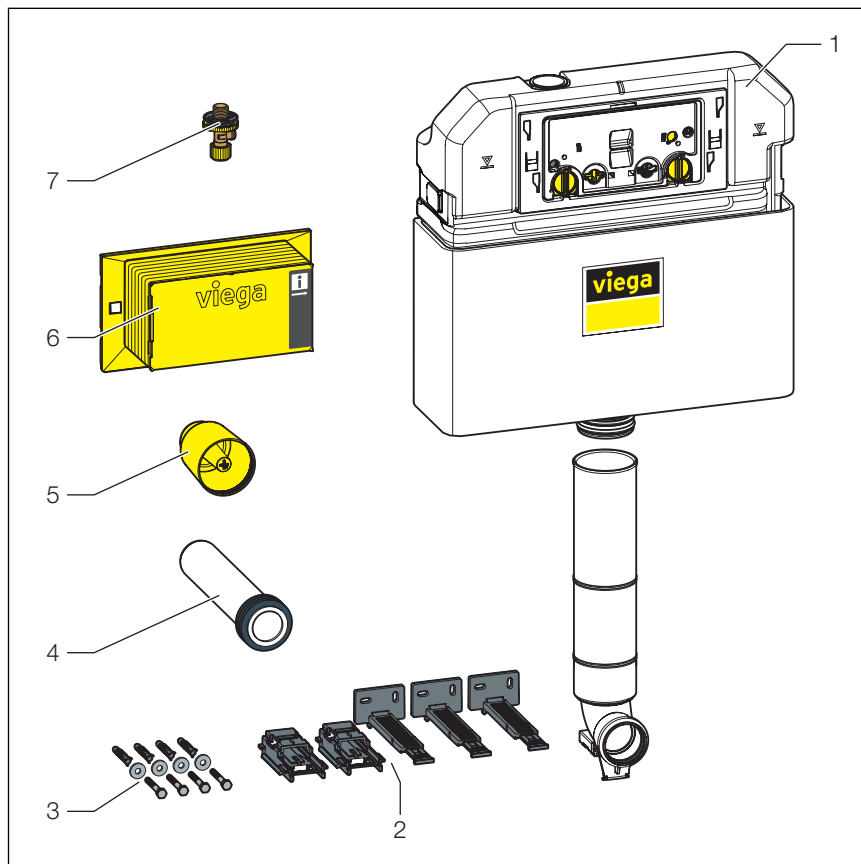


Fig. 1: Components

- 1 3H concealed cistern
- 2 fixing material
- 3 dowels and screws
- 4 flushing pipe
- 5 Protective plug
- 6 Revision shaft cover for the cistern
- 7 Corner valve

### 2.3.2 Technical data

The product has the following technical data:

Pre-assembled water connection	R½	
Small flush volume	Factory setting	approx. 3 l
	setting range	approx. 2–4 l
Large flush volume	Factory setting	approx. 6 l
	setting range	approx. 3.5–7.5 l

# 3 Handling

## 3.1 Assembly information

### 3.1.1 Installation dimensions

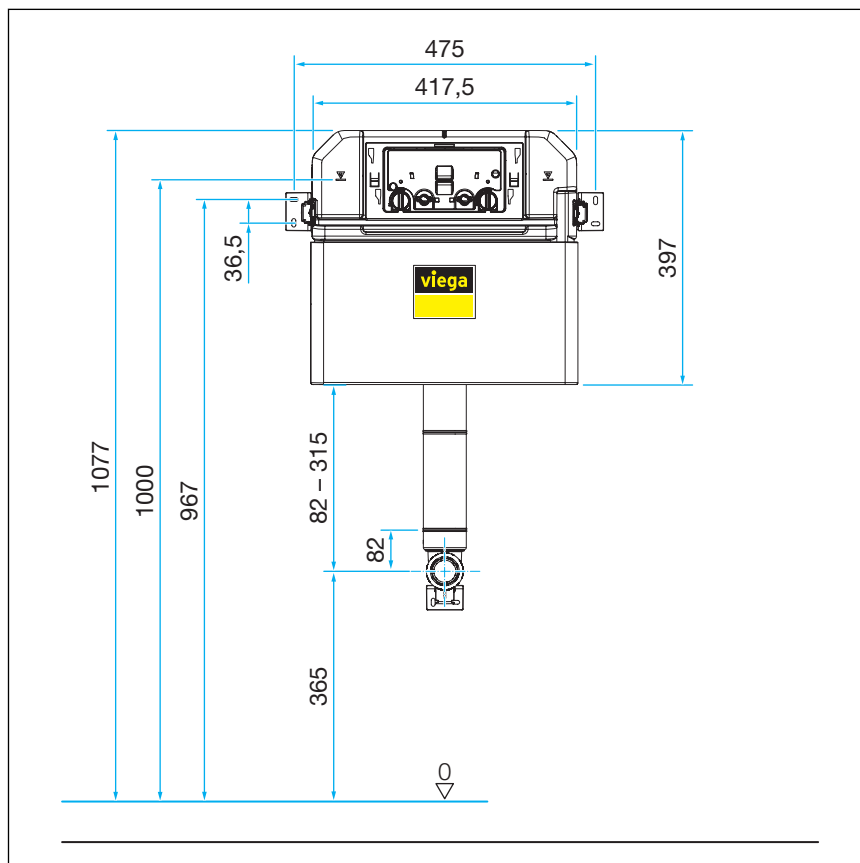


Fig. 2: Dimensional drawing 1



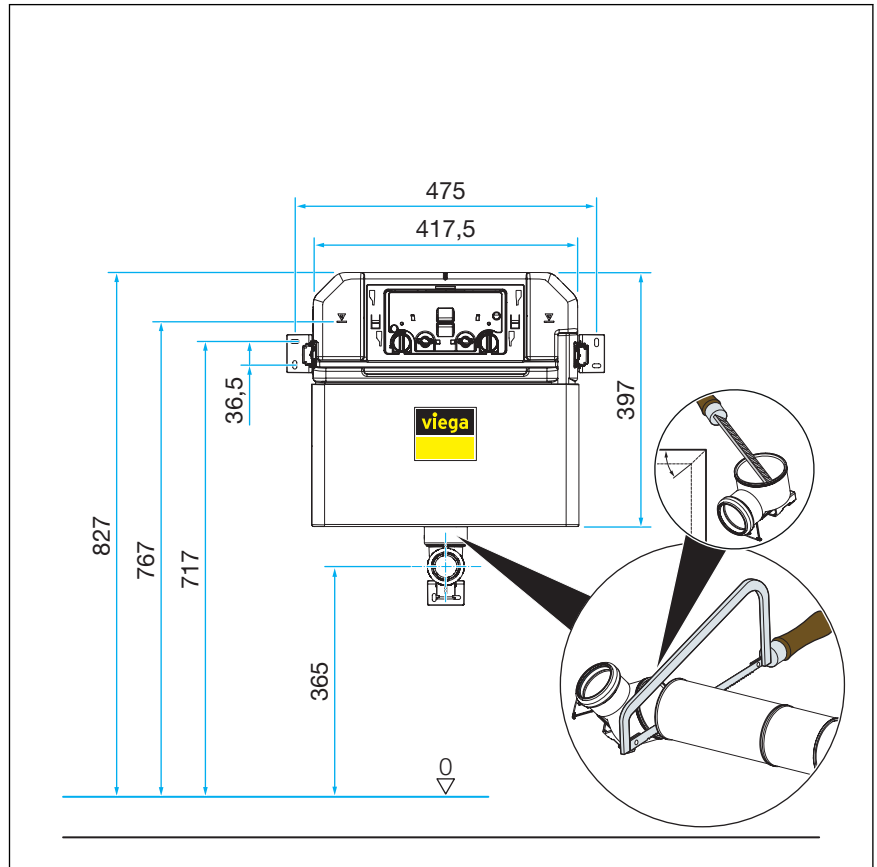
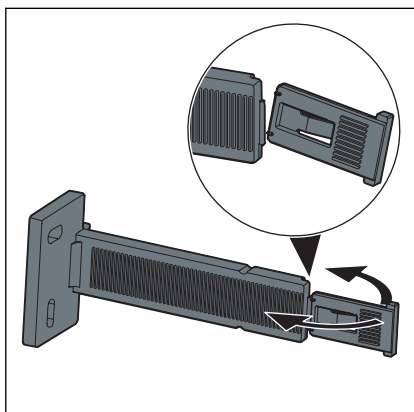


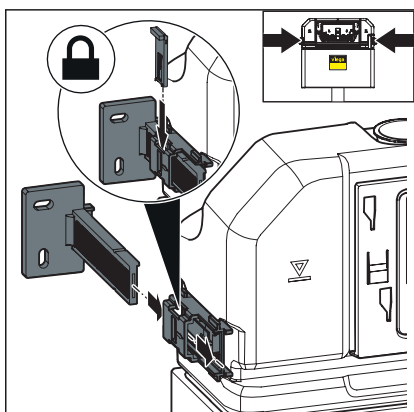
Fig. 3: Dimensional drawing 2

## 3.2 Assembly

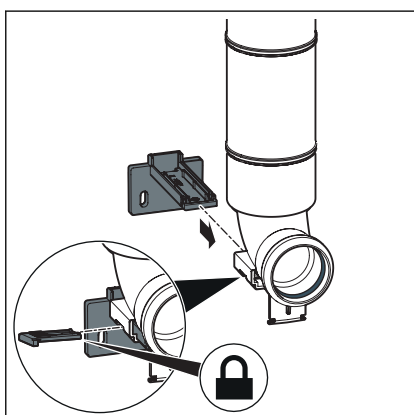
### 3.2.1 Mounting concealed cisterns



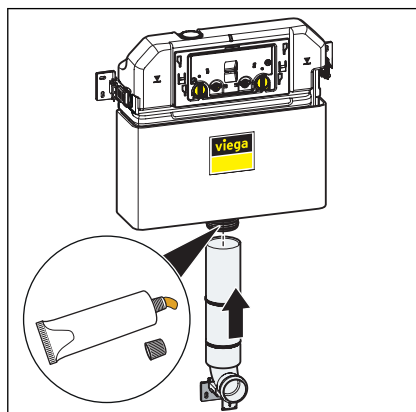
- Break the locking clips off the wall mountings.



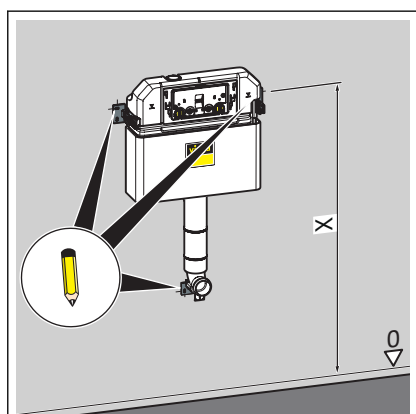
- Push the wall mountings into the mounting brackets.
- Insert the locking clips.



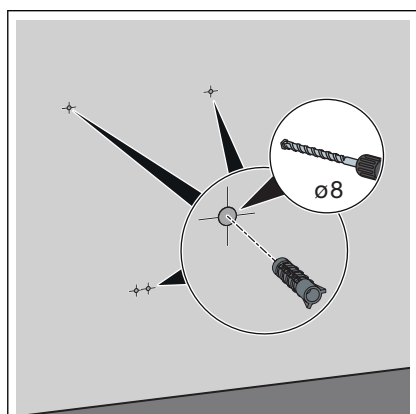
- Insert the holder into the mounting bracket for the drain elbow.



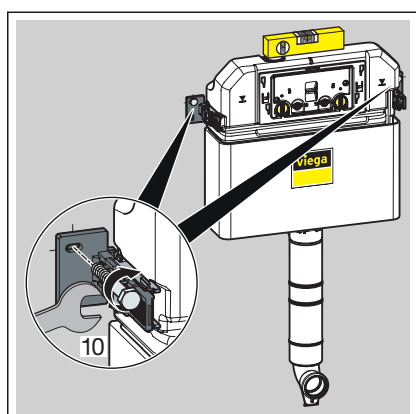
- Grease the flushing pipe.
- Insert the flushing pipe.
- Check the seal is located.



- Adjust the construction height of the concealed cistern in accordance with the on-site marking of the upper edge of the finished floor.
- Mark the fixing points.

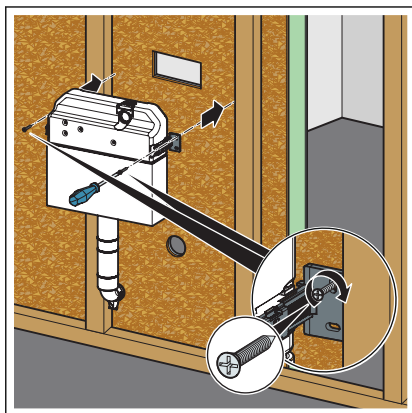


- Drill the holes.
- Insert the dowels.



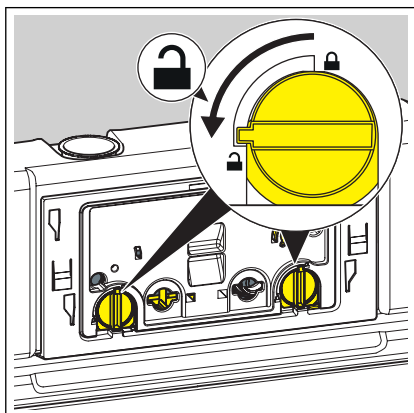
- Align the concealed cistern.
- Tighten the concealed cistern via the mounting brackets using a fork spanner.
  - ⇒ The concealed cistern is attached to the wall.

### Mounting in the wooden support profile

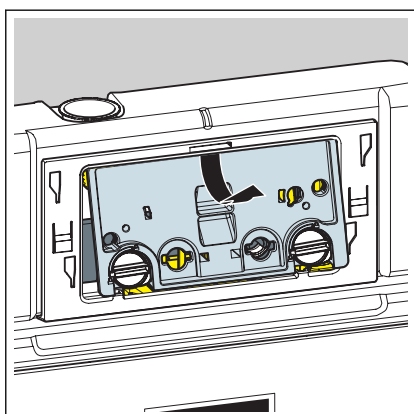


- Cut out recesses for the drain elbow and the flush plate in the pre-wall finish.
- Align the concealed cistern on the pre-wall finish.
- Tighten the concealed cistern via the mounting brackets.
  - ⇒ The concealed cistern is fastened.

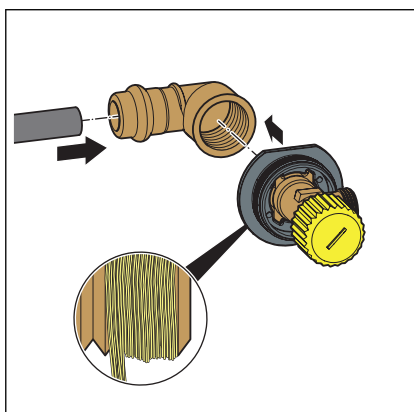
### 3.2.2 Connecting concealed cistern



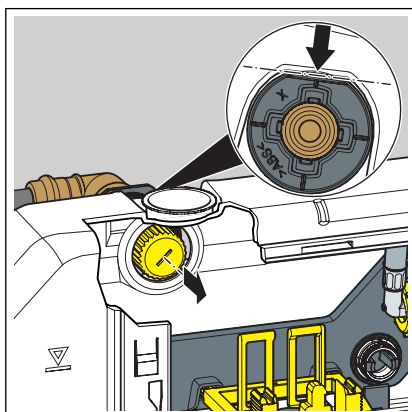
- Turn the cover plate lock 90° in anti-clockwise direction.



- Remove the cover plate.

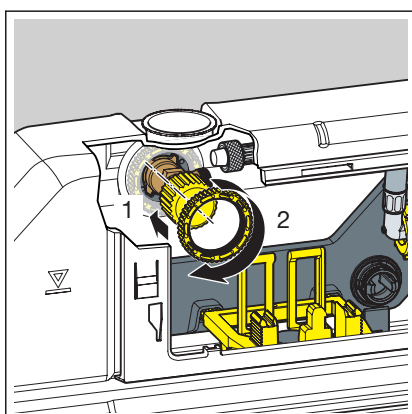


- Place the press connector onto the water supply.
- Press the connection.
- Seal the threaded connectors of the corner valve.
- Screw the corner valve into the thread side of the connector.

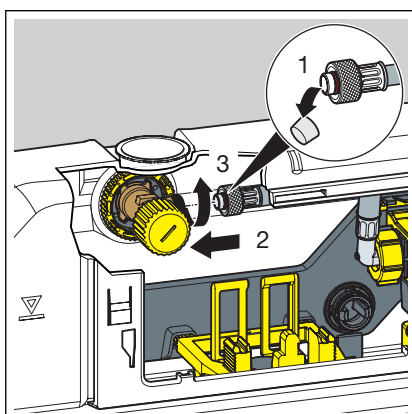


- Remove the plug.
- Insert the corner valve into the cistern.

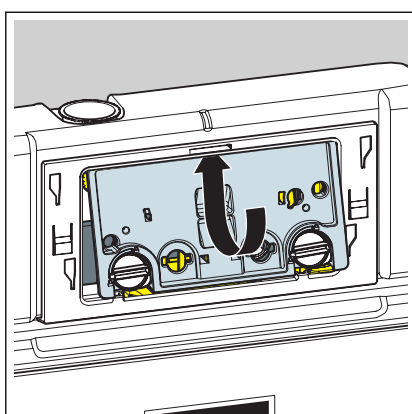
**INFO! Observe the proper fit of the corner valve.**



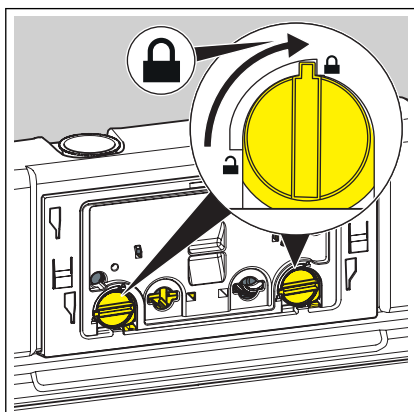
- Use the lock nuts to screw the corner valve and the cistern to each other.



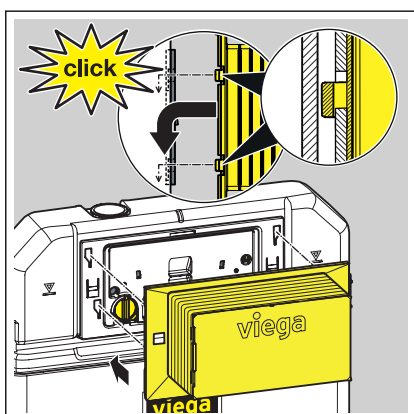
- Remove the protective cap from the water supply hose.
- Screw the water supply hose and the corner valve to each other.



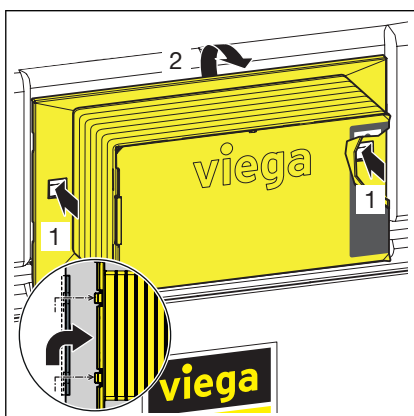
- Insert the cover plate into the cistern.



► Turn the cover plate lock by 90° in a clockwise direction.

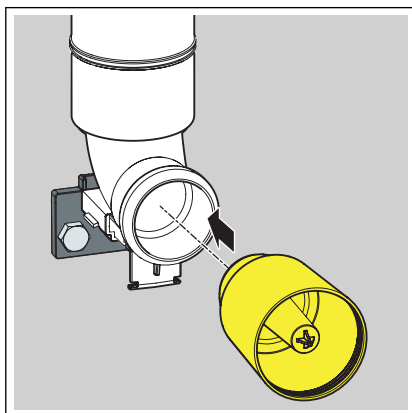


► Place the revision shaft on the cover plate.

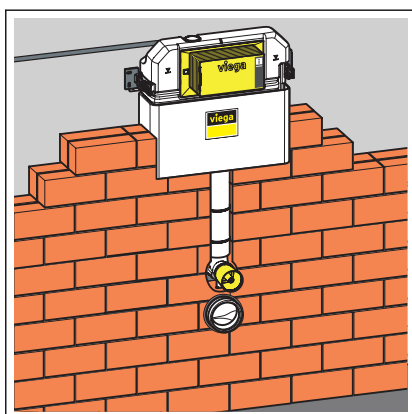


*To remove the revision shaft, press in the fixing clips at the side.*

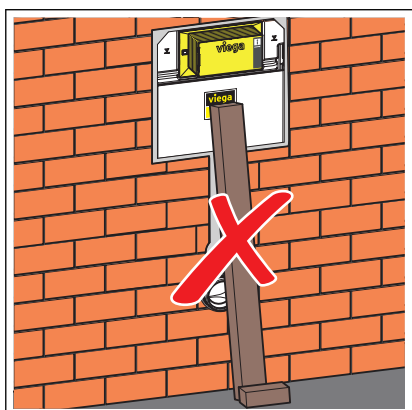
### 3.2.3 Setting up and bricking in the concealed cistern



► Fit the protective plug of the flushing pipe.

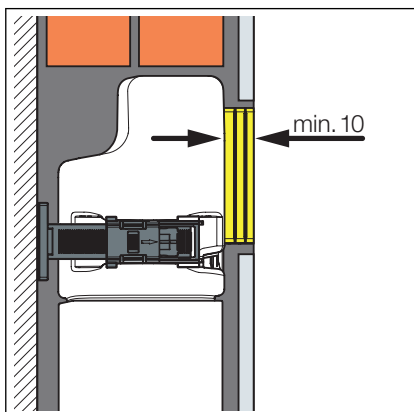


► Brick in the concealed cistern.



**NOTICE!** Do not load the concealed cistern.





► The wall construction must be at least 10 mm.

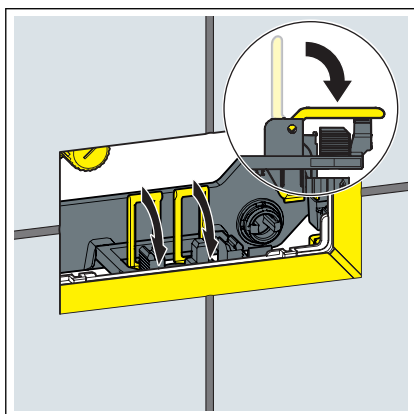


► Tile the concealed cistern.

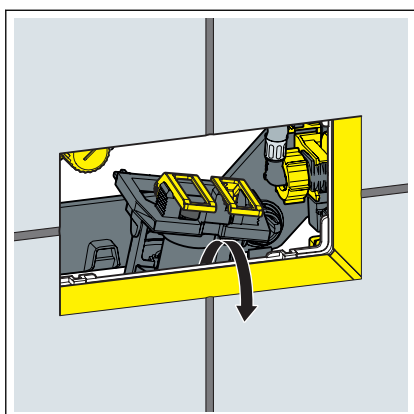
### 3.2.4 Setting the flush volume

Requirements:

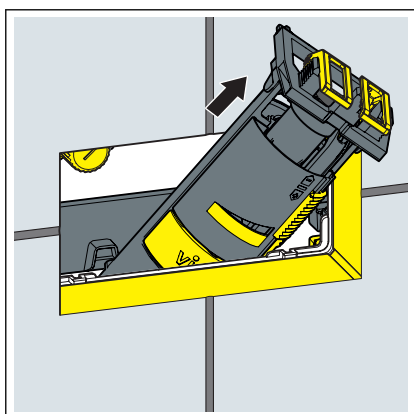
- The cistern is freely accessible.
- The water supply has been shut off.
- The ceramic has been mounted.
- Fold the tabs forward.

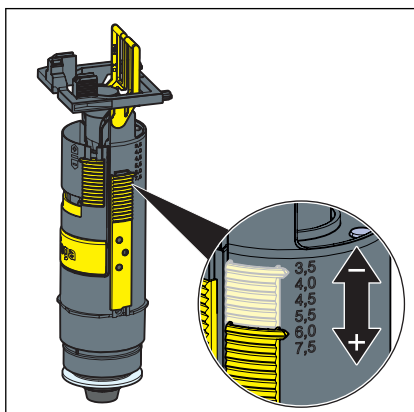


- Lift the drain valve.

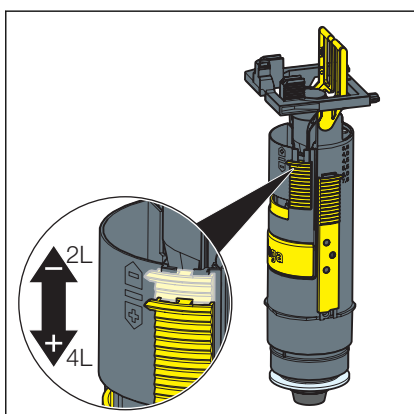


- Remove the drain valve through the revision opening.





► Set the large flush volume at the drain valve.

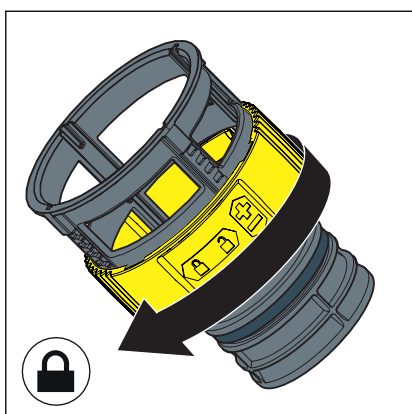
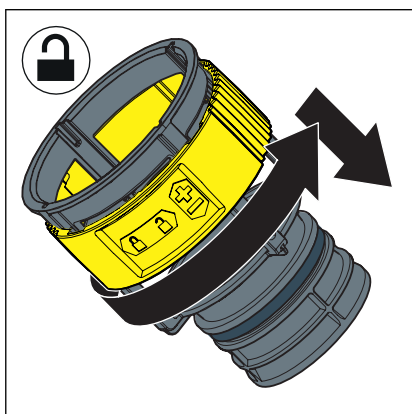


► Set the small flush volume at the drain valve.

## Setting the flush flow

Requirements:

- The drain valve has been dismantled.
- The flushing throttle has been removed.
- Unlock the flushing throttle.
- Set the flush flow at the throttle.



- Lock the flushing throttle.

## 3.3 Cleaning and maintenance

### Cleaning and maintenance of the concealed cistern

The concealed cistern is constantly under mechanical, chemical, and physical stress. For this reason, the components must be cleaned as required, and the drain and filling valve seals renewed.

In areas or regions with hard water due to high concentration of calcium or magnesium salts, there is the risk of limescale deposits developing on the inlet and drain valves. The valves may have to be replaced, depending on the extent of the deposits.

## 3.4 Disposal

Separate the product and packaging materials (e. g. paper, metal, plastic or non-ferrous metals) and dispose of in accordance with valid national legal requirements.