

Gas socket, pre-wall

Instructions for Use



suitable for gas plug-in hose model G2023

Model
G2019T

Year built:
from 01/1990

en_INT



Table of contents

1	About these instructions for use	4
1.1	Target groups	4
1.2	Labelling of notes	4
1.3	About this translated version	5
2	Product information	6
2.1	Intended use	6
2.1.1	Areas of use	6
2.1.2	Media	6
2.2	Product description	6
2.2.1	Overview	6
2.2.2	Threaded connection	7
2.2.3	Markings on components	7
2.2.4	Compatible components	7
2.2.5	Operating mode	8
2.2.6	Technical data	8
2.3	Information for use	9
2.3.1	Corrosion	9
3	Handling	10
3.1	Assembly information	10
3.1.1	Mounting instructions	10
3.2	Assembly	10
3.2.1	Connecting gas plug-in hose	10
3.2.2	Leakage test	11
3.3	Maintenance	12
3.4	Disposal	12

1 About these instructions for use

Trade mark rights exist for this document, further information can be found at viega.com/legal.

1.1 Target groups

The information in this instruction manual is directed at the following groups of people:

- contract installers registered in the installers' register of a utility company
- professional specialist companies for the construction, maintenance and alteration of a natural or liquid gas system

Liquid gas systems may only be constructed, maintained or altered by companies that have the necessary qualification and experience.

It is not permitted for individuals without the abovementioned training or qualification to mount, install and, if required, service this product. This restriction does not extend to possible operating instructions.

The installation of Viega products must take place in accordance with the general approved rules of engineering and the Viega instructions for use.

1.2 Labelling of notes

Warning and advisory texts are set aside from the remainder of the text and are labelled with the relevant pictographs.



DANGER!

This symbol warns against possible life-threatening injury.



WARNING!

This symbol warns against possible serious injury.



CAUTION!

This symbol warns against possible injury.



NOTICE!

This symbol warns against possible damage to property.



Notes give you additional helpful tips.

1.3 About this translated version

This instruction for use contains important information about the choice of product or system, assembly and commissioning as well as intended use and, if required, maintenance measures. The information about the products, their properties and application technology are based on the current standards in Europe (e. g. EN) and/or in Germany (e. g. DIN/DVGW).

Some passages in the text may refer to technical codes in Europe/Germany. These should serve as recommendations in the absence of corresponding national regulations. The pertinent national laws, standards, regulations and guidelines, as well as other technical guidelines, have priority over German/European guidelines in this manual: The information is not binding for other countries and territories and should, as mentioned, be considered as support.

2 Product information

2.1 Intended use

The gas socket is intended for the connection of gas devices. The connection must take place via gas plug-in hoses with standard plug.



The use of the model for areas of use and media other than those described must be approved by the Viega Service Center.

2.1.1 Areas of use

Use is possible in the following areas among others:

- Gas installations
- Liquid gas systems

The general rules of engineering must be observed for planning, execution, alteration and operation gas installations.

e. g. the following regulations apply:

- DVGW-TRGI 2008 for gas installations
- DVFG-TRF 2012 for liquid gas systems

2.1.2 Media

The model is suitable for the following media, amongst others:

- Gases
in acc. with DVGW Worksheet G 260
- Liquid gases, only in the gaseous state for domestic and commercial applications
in acc. with DVGW-AB G 260

2.2 Product description

2.2.1 Overview



The model is tested and certified in acc. with DIN 3383-1.

The model is equipped as follows:

- Casing made of chrome-plated brass
- Inlet side with R external thread
- Outlet side with socket in acc. with DIN 3383-1

- additional shut-off with grey actuating handle
- Position indicator "Open / closed"
- Thermal shut-off system (TSS)

A thermally activated shut-off system (TSS) is integrated into this model.

A TSS is required for gas devices and other components that do not fulfil the HTR requirements. The TSS conforms with the requirements in accordance with DIN 3586.

The model is available in the following dimension: R ½.

2.2.2 Threaded connection

Prerequisite for a threaded connection, which seals via a thread, is a threaded pair in acc. with DIN EN 10226-1. In acc. with DIN EN 10226-1 comprises a permitted threaded pair consisting of a conical external thread and a cylindrical internal thread, e. g. R ¾ and Rp ¾.

Only use commercially available and chloride-free, DVGW approved sealant in acc. with DIN 30660 and DIN EN 751-2 to seal threads.



Produce the threaded connection first then the plug connection.

2.2.3 Markings on components

The model is marked as follows:

- MOP0.1 for maximum operating pressure 0.01 MPa (0.1 bar)
- GT for operating pressure with HTR requirement max. 0.01 MPa (0.1 bar)
- Position indicator
- TSS marking for thermal shut-off system

2.2.4 Compatible components

The model is compatible with the gas plug-in hose model G2023.

Please contact the Viega Service Center for questions on this subject.

2.2.5 Operating mode

Thermal shut-off system (TSS)

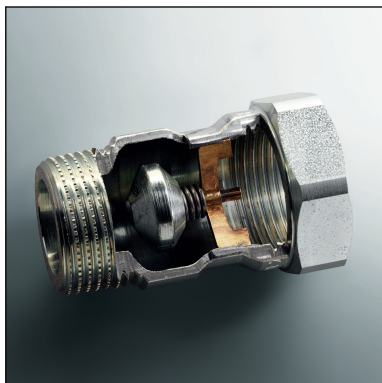


Fig. 1: Example of a TSS in operating position



Fig. 2: Example of a TSS that is triggered

The cone seal is pre-stressed with a spring and is held in position by a soldered strut. The solder melts at a temperature of $> 96^{\circ}\text{C}$. The spring slackens and pushes the valve cone into the outlet. The gas flow is then blocked and the valve is now permanently closed gas-tight.



Triggered TSS can no longer be opened and are no longer able to be used.

The complete fitting must be replaced after actuation.

2.2.6 Technical data

Observe the following operating conditions for the installation of the model:

Operating temperature	-20°C up to $+70^{\circ}\text{C}$
Operating pressure	$\leq 0.01\text{ MPa}$ (0.1 bar)

2.3 Information for use

2.3.1 Corrosion

Depending on the area of use, corrosion protection measures may have to be taken into account.

The general rules of engineering must be observed for corrosion protection.

The following regulations apply, e.g.:

- DIN 30672
- DVGW-TRGI 2008
- DVGW-TRF 2012



- *Do not use the model in aggressive surroundings.*
- *Avoid contact with aggressive building materials such as materials containing nitrite or ammonium.*

3 Handling

3.1 Assembly information

3.1.1 Mounting instructions

Checking system components

System components may, in some cases, become damaged through transportation and storage.

- Check all parts.
- Replace damaged components.
- Do not repair damaged components.
- Contaminated components may not be installed.

Mounting conditions

Observe the following when mounting:

- Do not install the model in heat zones (e. g. with hot emissions or strong heat radiation).
- Use suitable tools.
- Always mount the model with the opening for the standard plug at the bottom.
- In the case of systems operating on liquid gas, use a wall plate in acc. with DVGW-TRF 2012.

Exceptions, selection criteria and order of the components are described in DVGW-TRGI 2008 and DVGW-TRF 2012.

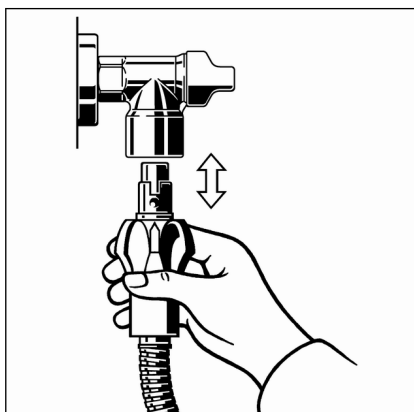
3.2 Assembly

3.2.1 Connecting gas plug-in hose

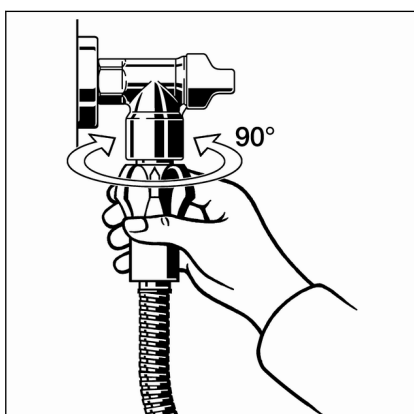
The gas socket can only function when the gas plug-in hose is connected.



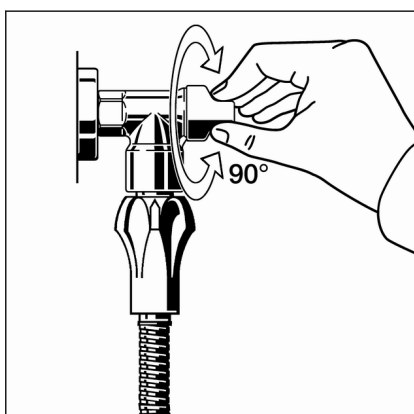
If the plug is difficult to connect, lubricate the plug with tap grease in acc. with DIN EN 377.



- Push the plug as far as it will go into the gas socket.
The markings on the gas socket and the plug must match.



- Turn the plug anti-clockwise by 90°.
The connection is secured in this way.



- Turn the handle anti-clockwise by 90°.
The flow of gas is released in this way.

3.2.2 Leakage test

The installer must perform a leakage test (load and leakage test) on the gas installation before commissioning.

The general rules of engineering must be observed.

E. g. the following regulations apply:

- DVGW-TRGI 2008
- DVG-TRF 2012



The gas socket must not be included in the leakage test.

The connector must be checked for leaks by suitable means after the gas has been filled.

The result must be documented.

3.3 Maintenance

The gas installation must be given a visual inspection, e. g. by the owner, once a year.

Serviceability and leak tightness must be checked every 12 years by an installation contractor.

Gas installations must be operated and maintained as intended to ensure and maintain a safe operating condition. Detailed information on this topic can be found in DVGW-TRGI 2008 appendix 5c.

3.4 Disposal

Separate the product and packaging materials (e. g. paper, metal, plastic or non-ferrous metals) and dispose of in accordance with valid national legal requirements.