

Gas socket, concealed

Instructions for Use



suitable for gas plug-in hose model G2025

Model
G2020.1T

Year built:
from 01/1990

en_INT

viega

Table of contents

1	About these instructions for use	4
1.1	Target groups	4
1.2	Labelling of notes	4
1.3	About this translated version	5
2	Product information	6
2.1	Intended use	6
2.1.1	Areas of use	6
2.1.2	Media	6
2.2	Product description	6
2.2.1	Overview	6
2.2.2	Threaded connection	7
2.2.3	Markings on components	7
2.2.4	Compatible components	7
2.2.5	Operating mode	8
2.2.6	Technical data	8
2.3	Information for use	9
2.3.1	Corrosion	9
3	Handling	10
3.1	Assembly information	10
3.1.1	Mounting instructions	10
3.2	Mounting	10
3.2.1	Mounting in the wall	10
3.2.2	Connecting gas plug-in hose	13
3.2.3	Leakage test	13
3.3	Maintenance	14
3.4	Disposal	14

1 About these instructions for use

Trade mark rights exist for this document, further information can be found at viega.com/legal.

1.1 Target groups

The information in this instruction manual is directed at the following groups of people:

- contract installers registered in the installers' register of a utility company
- professional specialist companies for the construction, maintenance and alteration of a natural or liquid gas system

Liquid gas systems may only be constructed, maintained or altered by companies that have the necessary qualification and experience.

It is not permitted for individuals without the abovementioned training or qualification to mount, install and, if required, service this product. This restriction does not extend to possible operating instructions.

The installation of Viega products must take place in accordance with the general approved rules of engineering and the Viega instructions for use.

1.2 Labelling of notes

Warning and advisory texts are set aside from the remainder of the text and are labelled with the relevant pictographs.



DANGER!

This symbol warns against possible life-threatening injury.



WARNING!

This symbol warns against possible serious injury.



CAUTION!

This symbol warns against possible injury.



NOTICE!

This symbol warns against possible damage to property.



Notes give you additional helpful tips.

1.3 About this translated version

This instruction for use contains important information about the choice of product or system, assembly and commissioning as well as intended use and, if required, maintenance measures. The information about the products, their properties and application technology are based on the current standards in Europe (e. g. EN) and/or in Germany (e. g. DIN/DVGW).

Some passages in the text may refer to technical codes in Europe/Germany. These should serve as recommendations in the absence of corresponding national regulations. The pertinent national laws, standards, regulations and guidelines, as well as other technical guidelines, have priority over German/European guidelines in this manual: The information is not binding for other countries and territories and should, as mentioned, be considered as support.

2 Product information

2.1 Intended use

The gas socket is intended for the connection of gas devices. The connection must take place via gas plug-in hoses with standard plug.



The use of the model for areas of use and media other than those described must be approved by the Viega Service Center.

2.1.1 Areas of use

Use is possible in the following areas among others:

- Gas installations
- Liquid gas systems

The model is suitable for outdoor and indoor use.

The general rules of engineering must be observed for planning, execution, alteration and operation gas installations.

e. g. the following regulations apply:

- DVGW-TRGI 2008 for gas installations
- DVFG-TRF 2012 for liquid gas systems

2.1.2 Media

The model is suitable for the following media, amongst others:

- Gases
in acc. with DVGW Worksheet G 260
- Liquid gases, only in the gaseous state for domestic and commercial applications
in acc. with DVGW-AB G 260

2.2 Product description

2.2.1 Overview



The model is tested and certified in acc. with DIN 3383-1.

The model is equipped as follows:

- Inlet side with R external thread
- Outlet side with socket in acc. with DIN 3383-1
- Frame with hinged cover made of plastic, white
- Position indicator "Open / closed"
- Thermal shut-off system (TSS)

A thermally activated shut-off system (TSS) is integrated into this model.

A TSS is required for gas devices and other components that do not fulfil the HTR requirements. The TSS conforms with the requirements in accordance with DIN 3586.

The model is available in the following dimension: R ½.

2.2.2 Threaded connection

Prerequisite for a threaded connection, which seals via a thread, is a threaded pair in acc. with DIN EN 10226-1. In acc. with DIN EN 10226-1 comprises a permitted threaded pair consisting of a conical external thread and a cylindrical internal thread, e. g. R ¾ and Rp ¾.

Only use commercially available and chloride-free, DVGW approved sealant in acc. with DIN 30660 and DIN EN 751-2 to seal threads.



Produce the threaded connection first then the plug connection.

2.2.3 Markings on components

The model is marked as follows:

- MOP0.1 for maximum operating pressure 0.01 MPa (0.1 bar)
- GT for operating pressure with HTR requirement max. 0.01 MPa (0.1 bar)
- DWGW writing
- Gas
- Position indicator
- TSS marking for thermal shut-off system

2.2.4 Compatible components

The model is compatible with the gas plug-in hose model G2025.

Please contact the Viega Service Center for questions on this subject.

2.2.5 Operating mode

Thermal shut-off system (TSS)



Fig. 1: Example of a TSS in operating position

The cone seal is pre-stressed with a spring and is held in position by a soldered strut. The solder melts at a temperature of $> 96^{\circ}\text{C}$. The spring slackens and pushes the valve cone into the outlet. The gas flow is then blocked and the valve is now permanently closed gas-tight.



Fig. 2: Example of a TSS that is triggered



Triggered TSS can no longer be opened and are no longer able to be used.

The complete fitting must be replaced after actuation.

2.2.6 Technical data

Observe the following operating conditions for the installation of the model:

Operating temperature	-20°C up to $+60^{\circ}\text{C}$
Operating pressure	$\leq 0.01\text{ MPa}$ (0.1 bar)

2.3 Information for use

2.3.1 Corrosion

Depending on the area of use, corrosion protection measures may have to be taken into account.

The general rules of engineering must be observed for corrosion protection.

The following regulations apply, e.g.:

- DIN 30672
- DVGW-TRGI 2008
- DVGW-TRF 2012



- *Do not use the model in aggressive surroundings.*
- *Avoid contact with aggressive building materials such as materials containing nitrite or ammonium.*

3 Handling

3.1 Assembly information

3.1.1 Mounting instructions

Checking system components

System components may, in some cases, become damaged through transportation and storage.

- Check all parts.
- Replace damaged components.
- Do not repair damaged components.
- Contaminated components may not be installed.

Mounting conditions

Observe the following when mounting:

- Do not install the model in heat zones (e. g. with hot emissions or strong heat radiation).
- Use suitable tools.
- Only use the correct concealed socket and corresponding flap cover.
- Do not remove the cleaning cap during work on the wall (plastering, tiling). It serves the purpose of protecting the socket from dirt and damage.
- Only connect the gas plug-in hose when the mounting of the gas socket is complete.

Exceptions, selection criteria and order of the components are described in DVGW-TRGI 2008 and DVFG-TRF 2012.

3.2 Mounting

3.2.1 Mounting in the wall

Cavity wall mounting

Observe the following requirements for mounting in cavity walls:

- The wall thickness for the concealed socket must not be thicker than 19 mm.
- The wall covering, e. g. must not be thicker than 10 mm.

If the wall covering is thicker than 10 mm, the socket must protrude from the wall by that amount.

Example:

wall covering: 16 mm.

The socket must protrude from the wall by 6 mm.

- Do not remove the protective cap until the frame with the hinged cover has been mounted.

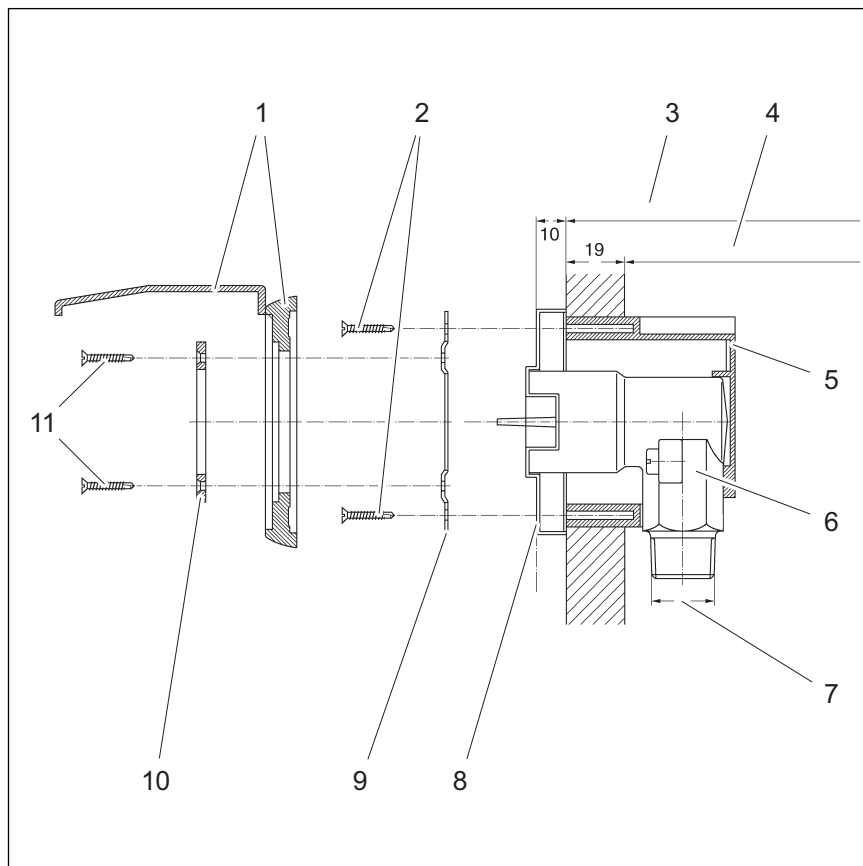


Fig. 3: Overview cavity wall mounting

- 1 - frame with hinged cover
- 2 - self-tapping screw, $\varnothing 3.2 \times 15$, 2 pieces
- 3 - maximum thickness for wall covering (plaster, tiles etc.) 10 mm
- 4 - maximum wall thickness 19 mm
- 5 - concealed socket
- 6 - gas socket, screwed together with concealed socket
- 7 - R $\frac{1}{2}$
- 8 - protective cap, for protecting the fitting during installation
- 9 - metal support ring
- 10 - holding panel with ABS inscription
- 11 - drilling screw DIN 7504, $\varnothing 3.3 \times 22$, 4 pieces

- Decide on a suitable position on the wall.
- Drill hole with a diameter of 68 mm + 0.5 mm.
- Remove the gas socket from the concealed socket (2 cross-head screws).
- Place, align and screw the concealed socket in the drill hole. The concealed socket must be flush with the wall.
- Place the gas socket in the concealed socket and screw tight.
- Produce and test the connection between the gas socket and the piping network in acc. with DVGW-TRGI 2008.
- Remove the protective cap after the wall work has been completed.
- Screw the metal support ring into the concealed socket.

- Screw the frame with hinged cover with the labelled holding plate onto the metal support ring.

Concealed mounting

Observe the following requirements for concealed mounting:

- The wall covering, e. g. must not be thicker than 10 mm.
If the wall covering is thicker than 10 mm, the socket must protrude from the wall by that amount.

Example:

wall covering: 16 mm.

The socket must protrude from the wall by 6 mm.

- Do not remove the protective cap until the frame with the hinged cover has been mounted.

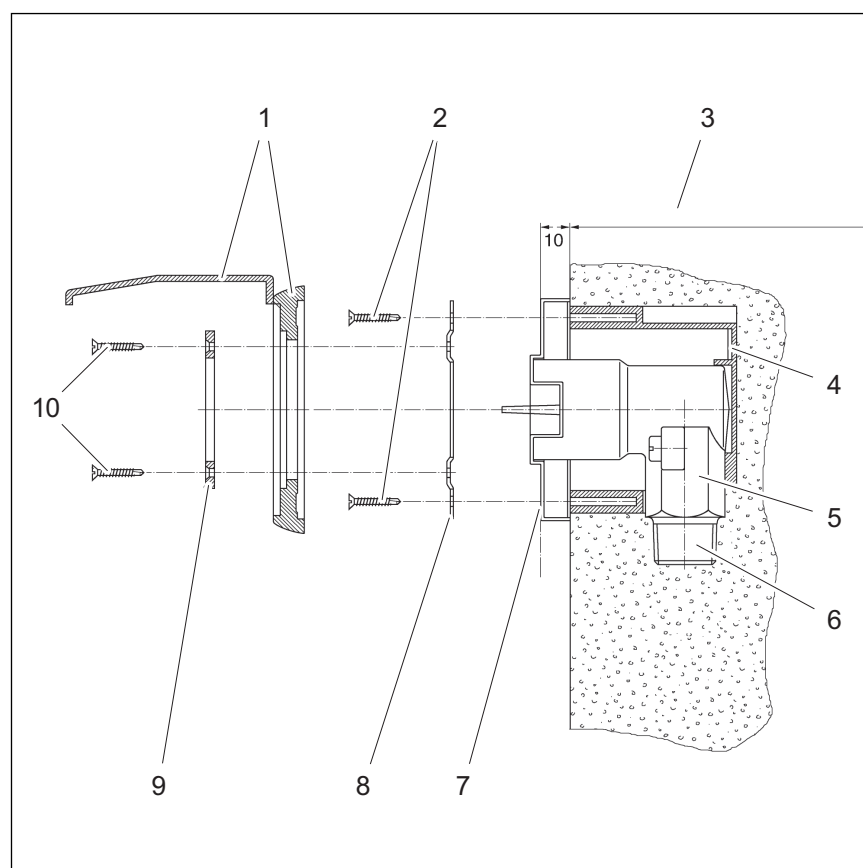


Fig. 4: Overview concealed mounting

- 1 - frame with hinged cover
- 2 - self-tapping screw, \varnothing 3.2 x 15, 2 pieces
- 3 - maximum thickness for wall covering (plaster, tiles etc.) 10 mm
- 4 - concealed socket
- 5 - gas socket, screwed together with concealed socket
- 6 - R $\frac{1}{2}$
- 7 - protective cap, for protecting the fitting during installation

- 8 - metal support ring
- 9 - holding panel with ABS inscription
- 10 - drilling screw DIN 7504, \varnothing 3.3 x 22, 4 pieces

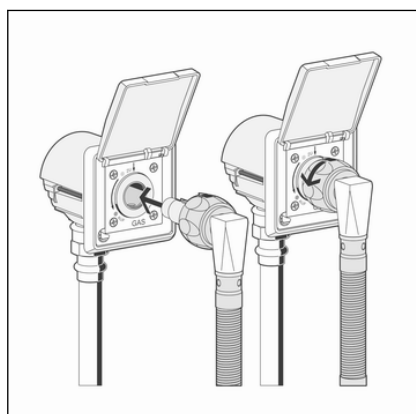
- Decide on a suitable position on the masonry and open the wall.
- Produce and test the connection between the gas socket and the piping network in acc. with DVGW-TRGI 2008.
- Plaster in the concealed socket and gas supply line.
- Remove the protective cap after the wall work has been completed.
- Screw the metal support ring into the concealed socket.
- Screw the frame with hinged cover with the labelled holding plate onto the metal support ring.

3.2.2 Connecting gas plug-in hose

The gas socket can only function when the gas plug-in hose is connected.



If the plug is difficult to connect, lubricate the plug with tap grease in acc. with DIN EN 377.



- Push the plug as far as it will go into the gas socket.
The markings on the gas socket and the plug must match.
- Turn the plug anti-clockwise by 90°.
The connection is secured in this way and the flow of gas is released.

3.2.3 Leakage test

The installer must perform a leakage test (load and leakage test) on the gas installation before commissioning.

The general rules of engineering must be observed.

E. g. the following regulations apply:

- DVGW-TRGI 2008
- DVFG-TRF 2012



The gas socket must not be included in the leakage test.

The connector must be checked for leaks by suitable means after the gas has been filled.

The result must be documented.

3.3 Maintenance

The gas installation must be given a visual inspection, e. g. by the owner, once a year.

Serviceability and leak tightness must be checked every 12 years by an installation contractor.

Gas installations must be operated and maintained as intended to ensure and maintain a safe operating condition. Detailed information on this topic can be found in DVGW-TRGI 2008 appendix 5c.

3.4 Disposal

Separate the product and packaging materials (e. g. paper, metal, plastic or non-ferrous metals) and dispose of in accordance with valid national legal requirements.