

**Viega Eco Plus**  
**Universal shower WC element**  
**Instructions for Use**



for wall-hung WCs,  
wall-hung shower WCs,  
wall-hung WCs with shower WC top

**Model**  
8161.20

**Year built:**  
from 08/2015

en\_INT

**viega**



# Table of contents

<b>1</b>	<b>About these instructions for use</b>	<b>4</b>
1.1	Target groups	4
1.2	Labelling of notes	4
1.3	About this translated version	5
<b>2</b>	<b>Product information</b>	<b>6</b>
2.1	Standards and regulations	6
2.2	Safety advice	6
2.3	Intended use	7
2.3.1	Areas of use	7
2.4	Product description	7
2.4.1	Overview	7
2.4.2	Compatible components	8
2.4.3	Sound protection	11
2.4.4	Technical data	11
2.5	Accessories	11
<b>3</b>	<b>Handling</b>	<b>12</b>
3.1	Assembly information	12
3.1.1	Mounting conditions	12
3.1.2	Installation dimensions	13
3.1.3	Required tools	13
3.2	Assembly	13
3.2.1	Mounting shower WC element	13
3.2.2	Set up element for wall covering – using the template	17
3.2.3	Preparing installation of the cover plate	19
3.2.4	Setting the flush volume	20
3.3	Cleaning and maintenance	21
3.4	Disposal	22

# 1 About these instructions for use

Trade mark rights exist for this document, further information can be found at [viega.com/legal](http://viega.com/legal).

## 1.1 Target groups

The information in this instruction manual is directed at the following groups of people:

- Heating and sanitary professionals and trained personnel
- Operators
- Consumers
- Drywall builder

It is not permitted for individuals without the abovementioned training or qualification to mount, install and, if required, maintain this product. This restriction does not extend to possible operating instructions.

The installation of Viega products must take place in accordance with the general rules of engineering and the Viega instructions for use.

## 1.2 Labelling of notes

Warning and advisory texts are set aside from the remainder of the text and are labelled with the relevant pictographs.



### **DANGER!**

This symbol warns against possible life-threatening injury.



### **WARNING!**

This symbol warns against possible serious injury.



### **CAUTION!**

This symbol warns against possible injury.



### **NOTICE!**

This symbol warns against possible damage to property.



*Notes give you additional helpful tips.*

### 1.3 About this translated version

This instruction for use contains important information about the choice of product or system, assembly and commissioning as well as intended use and, if required, maintenance measures. The information about the products, their properties and application technology are based on the current standards in Europe (e. g. EN) and/or in Germany (e. g. DIN/DVGW).

Some passages in the text may refer to technical codes in Europe/Germany. These should serve as recommendations in the absence of corresponding national regulations. The relevant national laws, standards, regulations, directives and other technical provisions take priority over the German/European directives specified in this manual: The information herein is not binding for other countries and regions; as said above, they should be understood as a recommendation.

## 2 Product information

### 2.1 Standards and regulations

The following standards and regulations apply to Germany / Europe. National regulations can be found on the relevant web site of your country at [viega.com/standards](http://viega.com/standards).

#### Regulations from section: Fields of application / Mounting conditions

Scope / Notice	Regulations applicable in Germany
suitable masonry walls	EN 1996-1-1
suitable concreted walls	DIN 1045
suitable support profiles	DIN 18183

#### Regulations from section: Sound protection

Scope / Notice	Regulations applicable in Germany
Fulfilled noise protection requirements	DIN 4109
Fulfilled noise protection requirements	DIN 4109 (additional sheet 2)
Fulfilled noise protection requirements	VDI 4100 SSt I-SSt II

### 2.2 Safety advice




#### **DANGER!** Danger due to electrical current

An electric shock can lead to burns and serious injury and even death.

- Work on the electrics may only be carried out by trained electricians.
- Switch off the mains voltage before connecting the power pack.

## 2.3 Intended use

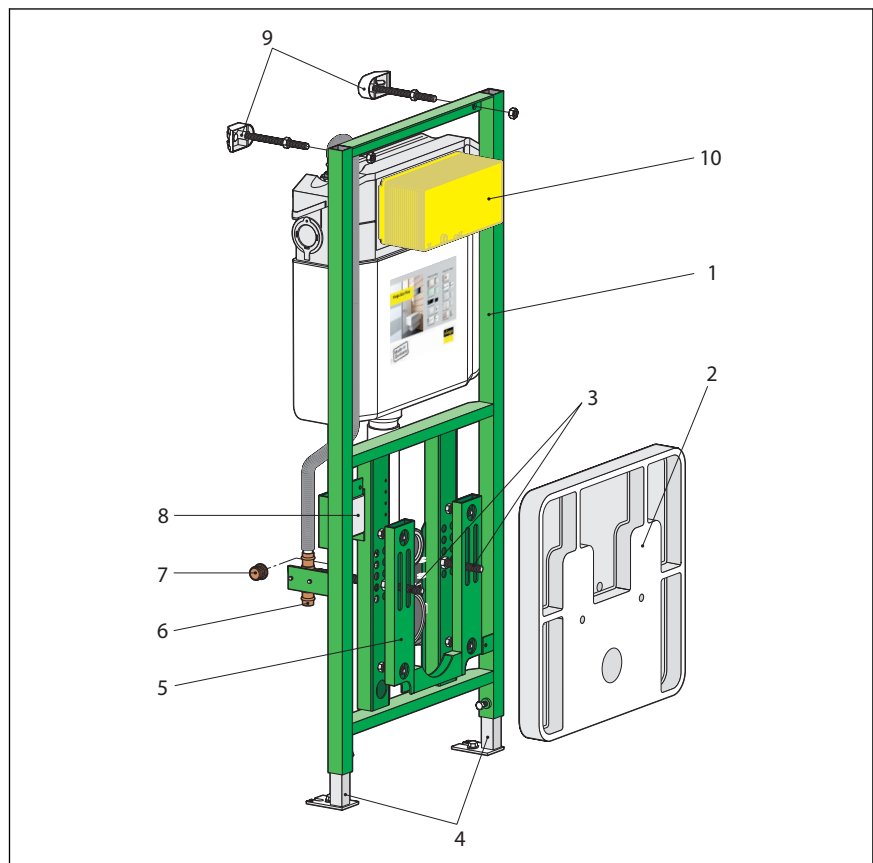
### 2.3.1 Areas of use

The Viega Eco Plus WC element is suitable for mounting on masonry wall constructions and support profiles pursuant to the regulations in section  „Regulations from section: Fields of application / Mounting conditions“ on page 6.

## 2.4 Product description

### 2.4.1 Overview

The shower WC element is equipped as follows:



- 1 - Viega Eco Plus universal shower WC element
- 2 - mounting template
- 3 - threaded rods for wall-mounted WC (gauges for bore hole 180 or 230 mm)
- 4 - adjustable feet
- 5 - cover plate contact surface
- 6 - shower WC water connection
- 7 - plug 1/2 inch
- 8 - cable distribution box
- 9 - fixing set
- 10 - flush actuation site protection

## 2.4.2 Compatible components

The shower WC element is compatible with:

- wall-hung WCs
- wall-hung shower WCs
- wall-hung WCs with shower WC top

### Compatible flush plates

Product	Name	Model
Standard	Flush plate Standard 1	8180.1
Visign for Style	Flush plate Visign for Style 10	8315.1
	Flush plate Visign for Style 11	8331.1
	Flush plate Visign for Style 12	8332.1
	Flush plate Visign for Style 12	8332.4
	Flush plate Visign for Style 13	8333.1
	Flush plate Visign for Style 14	8334.1
	Functional unit	8332.3
Visign for More	Flush plate Visign for More 100	8352.1
	Flush plate Visign for More 101	8351.1
	Flush plate Visign for More 102	8353.1
	Flush plate Visign for More 103	8355.1
	Flush plate Visign for More 104	8354.1
Visign for Care sensitive	Flush plate sensitive Visign for Care	8352.21
Visign for More sensitive	Flush plate sensitive Visign for More 100	230 V 8352.11
	Flush plate sensitive Visign for More 100	6.5 V 8352.12

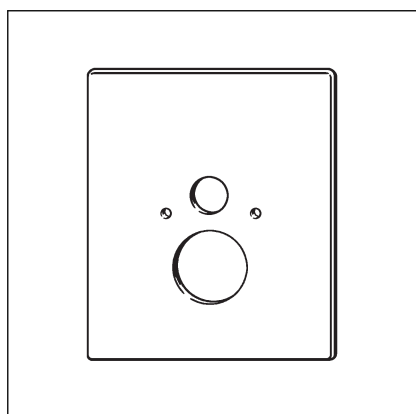


Product	Name	Model
	Flush plate sensitive Visign for More 103	230 V 8355.11
	Flush plate sensitive Visign for More 103	6.5 V 8355.12
Visign for Public	Flush plate Visign for Public 1	8326.1
	Flush plate Visign for Public 2	8327.1
	Flush plate Visign for Public 5	8326.16
	Flush plate Visign for Public 6	8326.15
	Remote actuation Visign for Public 1	8326.21
	Cover plate Visign for Public	8326.9

### Compatible cover plates

The Viega Eco Plus shower WC element 8161.20 is suitable for mounting with the following cover plates:

#### Cover plate model 8040.16, glass, article number 736866

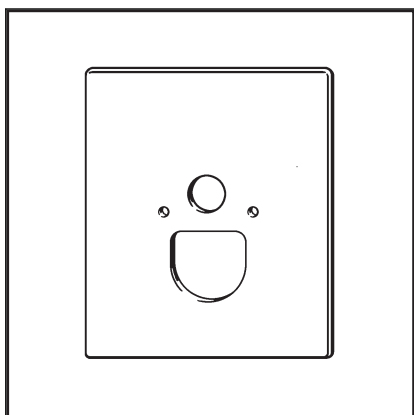


suitable for

- wall-hung WC (no shower WC)

Equipment

- WC connection fitting
- WC sound insulation panel

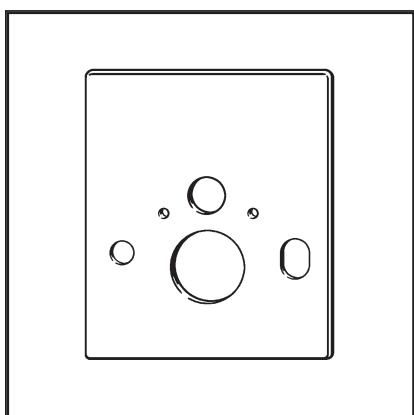
**Cover plate model 8040.17, glass, article number 736873**


suitable for

- Geberit AquaClean Sela WC complete system
- Duravit shower WC (SensoWash C)

Equipment

- WC connection fitting
- WC sound insulation panel
- Flexible hose R 1/2 with union nut Rp 1/2
- Ball valve R 1/2

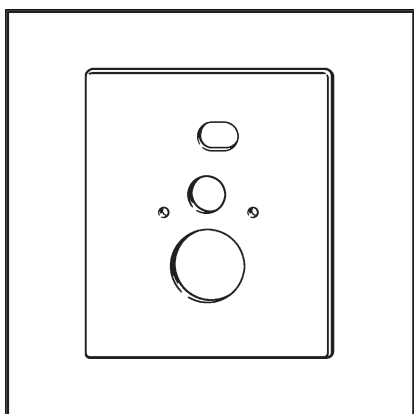
**Cover plate model 8040.18, glass, article number 736880**


suitable for

- Geberit AquaClean 8000 / 8000 plus WC complete system
- Toto Neorest

Equipment

- WC connection fitting
- WC sound insulation panel
- Flexible hose R 1/2 with union nut Rp 1/2
- Ball valve R 1/2

**Cover plate model 8040.19, glass, article number 736897**


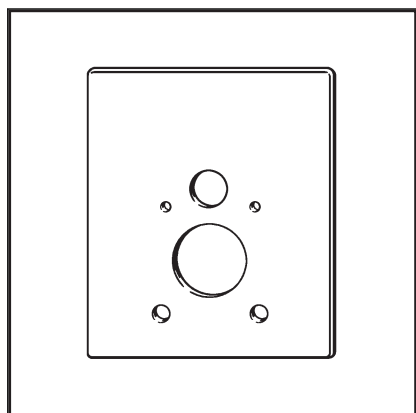
suitable for

- Geberit AquaClean 4000 / 5000 / 5000 plus WC top
- Duravit SensoWash E shower WC top
- Villeroy & Boch VICLEAN shower WC top

Equipment

- WC connection fitting
- WC sound insulation panel
- Flexible hose R 1/2 with union nut Rp 1/2
- Ball valve R 1/2

### Cover plate model 8040.22, glass, article number 740856




suitable for

- Toto shower WC Washlet SG

Equipment

- WC connection fitting
- WC sound insulation panel
- Flexible hose R 1/2 with union nut Rp 1/2
- Ball valve R 1/2

#### 2.4.3 Sound protection

The shower WC element complies with the noise insulation requirements specified in section  „Regulations from section: Sound protection“ on page 6.

#### 2.4.4 Technical data

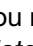
##### Flush volume

<b>Small flush volume</b>	Factory setting	approx. 3 l
	Setting range	approx. 3–4 l
<b>Large flush volume</b>	Factory setting	approx. ca. 6 l
	Setting range	approx. 6–9 l

Immediate re-flushing is possible at the factory settings.

## 2.5 Accessories

### Required accessories


The shower WC element is delivered without cover plate. For mounting, you require one of the compatible cover plates,  „Compatible cover plates“ on page 9.

# 3 Handling

## 3.1 Assembly information

### 3.1.1 Mounting conditions

#### Suitable walls

The Viega shower WC element is suitable for mounting on masonry wall constructions and support profiles pursuant to the regulations in section  „Regulations from section: Fields of application / Mounting conditions“ on page 6.

The shower WC element may only be mounted on even wall surfaces.

#### Construction height

With the construction height, the marked height of the upper edge of the finished floor must be observed.

#### Installation depth

The installation depth can be between 155 mm and 250 mm.

#### WC ceramic

The shower WC element can only be used in combination with wall-hung WCs (fixing gauges for bore hole 180 mm).

#### 230 V mains connection

The shower WC element requires an on-site 230 V mains connection.

#### Water connection

The shower WC element requires an on-site ½ inch water connection.

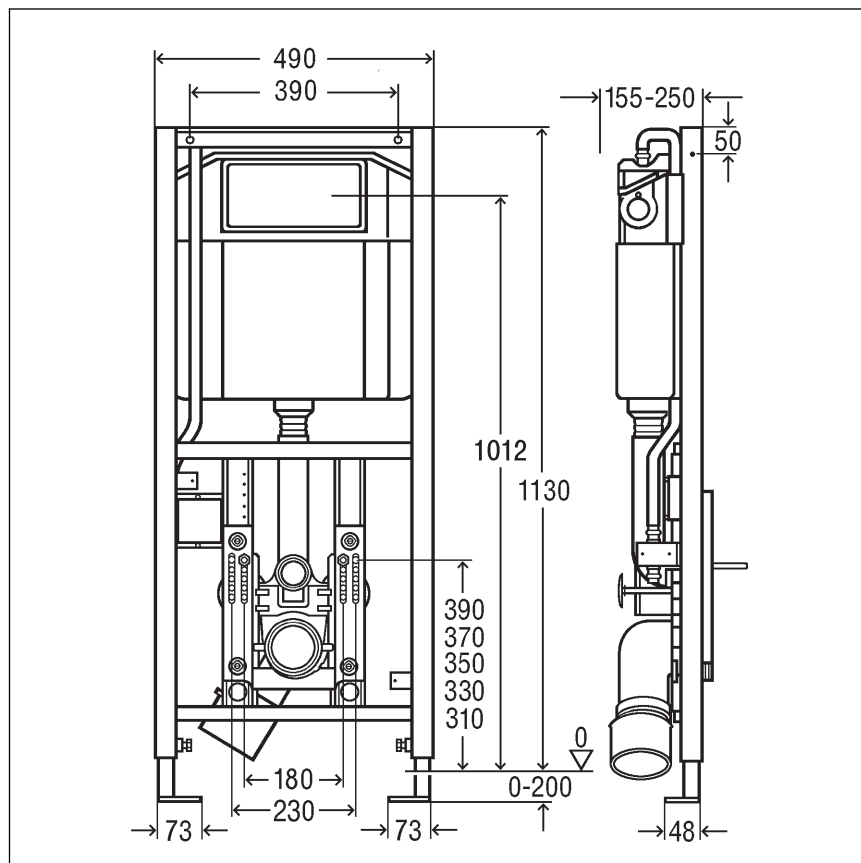
#### Actuation

The shower WC element can be extended by a remote actuation Visign for Public1 (model 8326.21) or by an electronic actuation (model 8350.31 or 8350.32). The corresponding actuation method must be prepared before the WC element is clad and tiled.

The corresponding empty pipe (included in the scope of delivery of the remote actuation) is required when preparing the remote actuation Visign for Public1.

### 3.1.2 Installation dimensions

#### Dimensions



### 3.1.3 Required tools

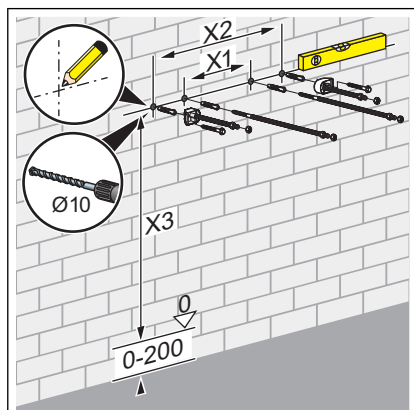
The following tools are required for mounting the shower WC element:

- drill with 10 mm drill bit
- ratchet with sockets: 13 mm / 17 mm
- fork or ring spanner: 13 mm / 17 mm / 19 mm
- Phillips-tip screwdriver
- flat-blade screwdriver
- cordless screw driver
- silicone press

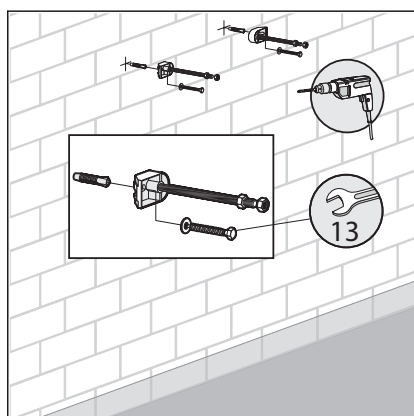
## 3.2 Assembly

### 3.2.1 Mounting shower WC element

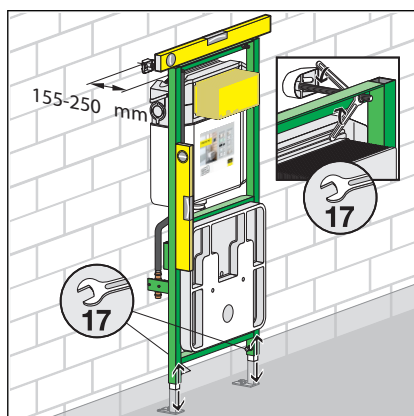
#### Masonry wall



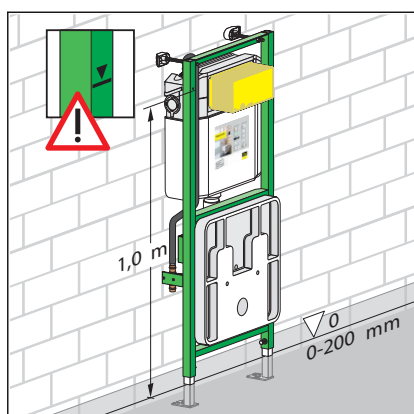
- Determine the fixing points.
  - X1: 390 mm (model 8180.73)
  - X2: 440 mm (model 8173)
  - X3: 1100 mm



- Drill holes (10 mm).
- Install the fixing set supplied (size 13).

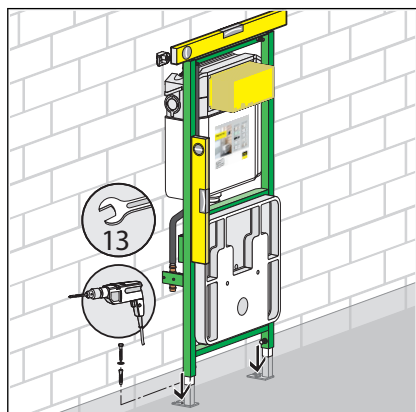


- Align the shower WC element and set the distance to the wall (size 17).

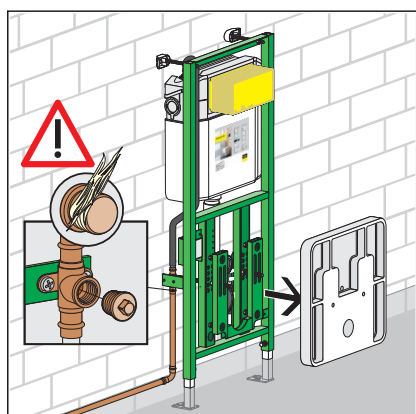


- Determine mounting height in accordance with the on-site marking of the upper edge of the finished floor.

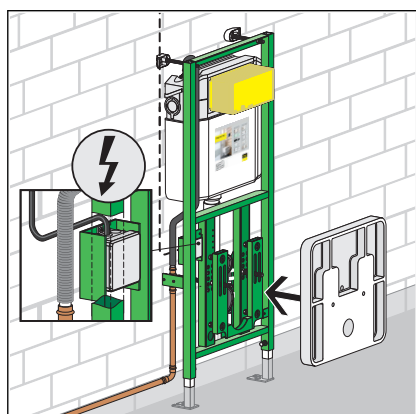
**INFO! Any errors made at this stage of the assembly are extremely difficult to correct afterwards!**



- Drill floor holes (10 mm).
- Attach shower WC element to the floor using the screws and dowels supplied.



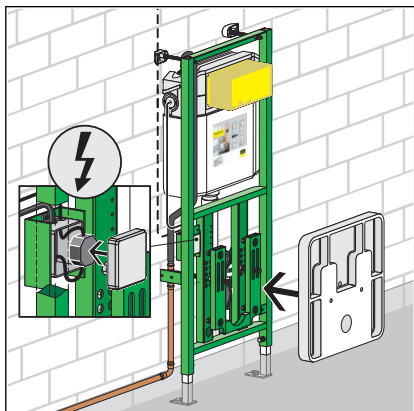
- Remove template.
- Carefully seal using the 1/2 inch plug supplied and turn into the T-piece.
- Connect water



**DANGER! Danger due to electrical current** An electric shock can lead to burns and serious injury and even death.

- Work on the electrics may only be carried out by trained electricians.
  - Switch off the mains voltage before carrying out work on electrical parts.
- Connect on-site electricity (230 V).
  - Reattach the template.

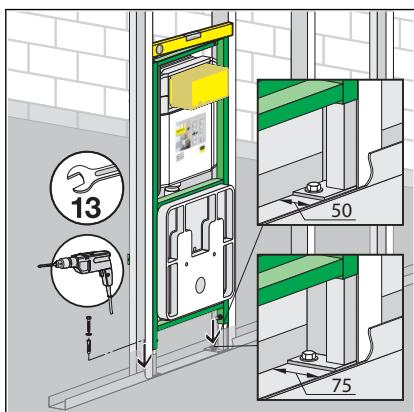
### Optional



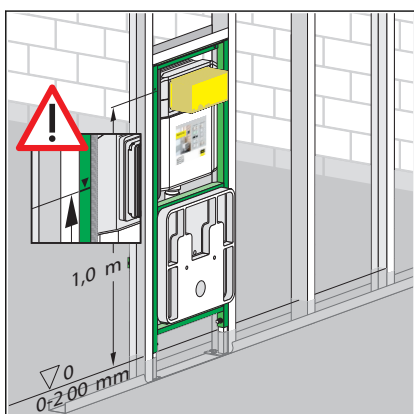
The distribution box can be used for installation of the power pack for sensitive and infra-red flush plates.

- Remove template.
- Place the power pack from the flush plate in the distributor socket
- Lead the cable between the power pack and flush plate into the cistern from the side.
- Reattach the template.

### On-site support profile



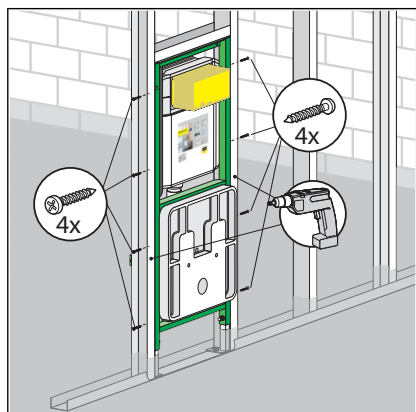
- Determine the fixing points.
- If necessary, adjust feet from 50 mm to 75 mm.
- Align the shower WC element using a spirit level.



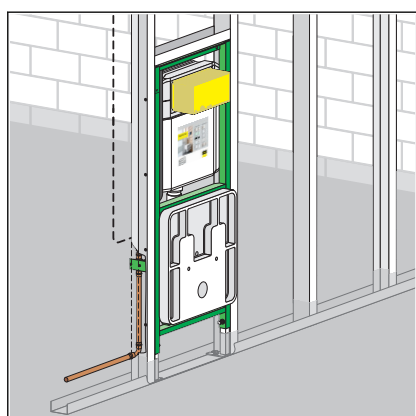
- Determine mounting height in accordance with the on-site marking of the upper edge of the finished floor.

**INFO! Any errors made at this stage of the assembly are extremely difficult to correct afterwards!**



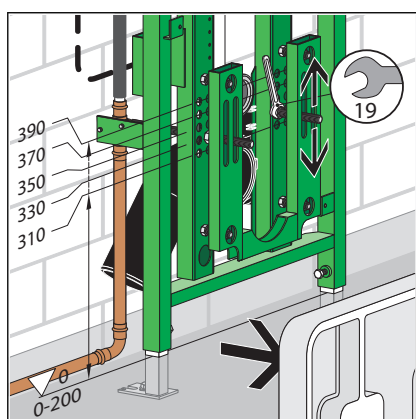


- Attach shower WC element to the support profiles and floor using the screws supplied.

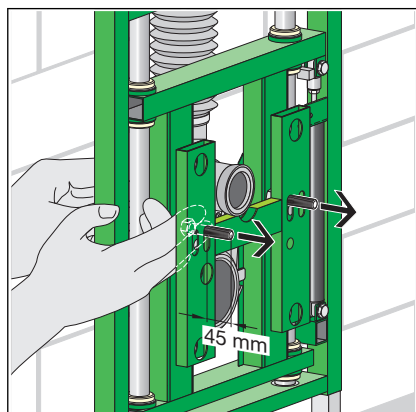


- Continue as described in "Mounting in masonry wall".
- Create water and power connection on site.

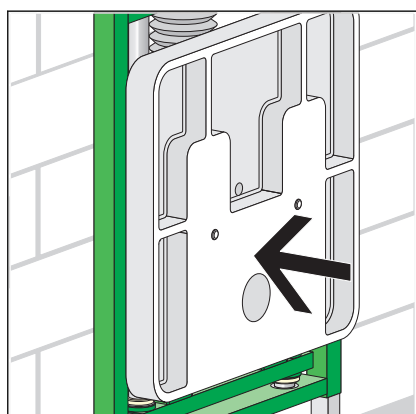
### 3.2.2 Set up element for wall covering – using the template



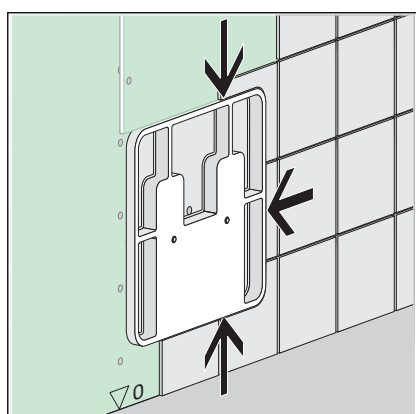
- Determine threaded rod height for sanitary object (SW 19).



- Unscrew the threaded rod of the WC fastening so that it projects out by approx. 45 mm.

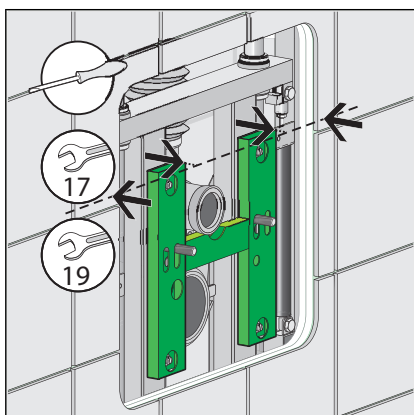


- Attach the template (polystyrene) to the element.



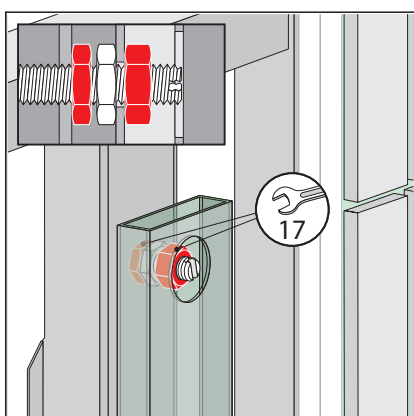
- Double clad the pre-wall element (2 x 12.5 mm).
- Clad up to the template.
- Lay tiles up to the template.

### 3.2.3 Preparing installation of the cover plate

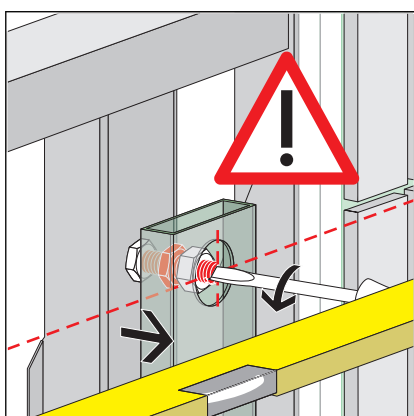


- Firstly, mount the locating surface for the cover plate flush with the finished wall surface.

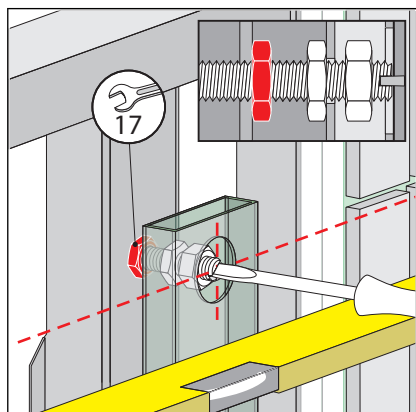
The proceed as follows:



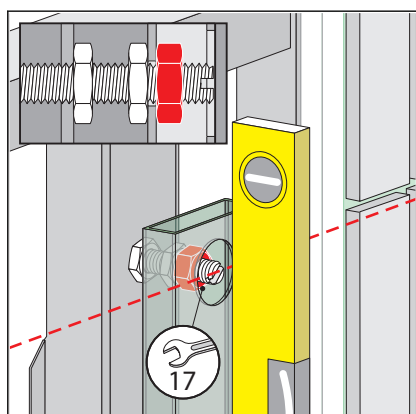
- Loosen the four threaded nuts on the element (SW 17).
- Loosen the four front threaded nuts on the sides of the H-beam (SW 17).



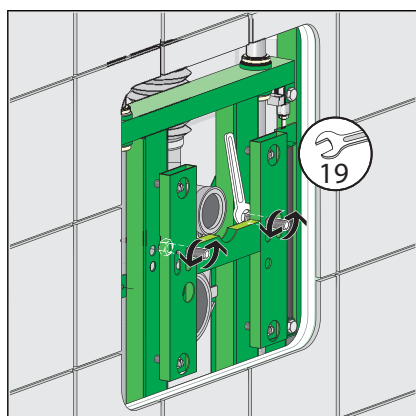
- Align all four points flush with the finished wall surface by screwing in and unscrewing the threaded screws.
- Check with spirit level.



- Tighten the rear nuts at all four points (SW 17), in the process, secure the threaded rods with a slotted screwdriver.



- Tighten the front threaded nuts at all four points (SW 17).
- Check to ensure they are flush.



- Unscrew the threaded rods for the fixing of the WC element to the required size and counter with threaded nuts (SW 19).

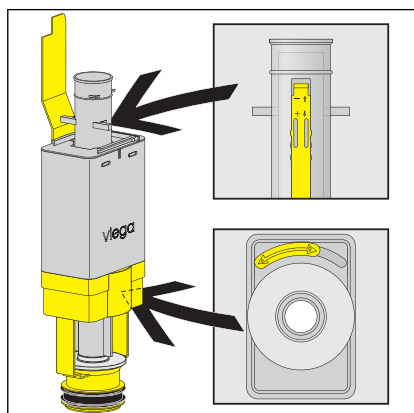
### 3.2.4 Setting the flush volume



*Immediate re-flushing of the flush volume is possible at the factory settings.*

#### Small flush volume

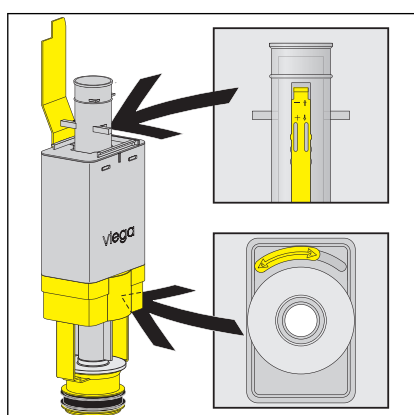
The shower WC element is factory-set at a small flush of approx. 3 l. The small flush volume can be set continuously from approx. 3 l up to approx. 4 l.



- Remove the drain valve from the concealed cistern.
- Push the slide control on the side of the overflow pipe to the desired small flush volume:
  - Top position: approx. 3 l
  - Bottom position: approx. 4 l

### Large flush volume

The WC element is factory-set at a large flush volume of approx. 6 l. The large flush volume can be set continuously from approx. 6 l up to approx. 9 l.



- Remove the drain valve from the concealed cistern.
- Push the slide control below the drain valve to the desired large flush volume:
  - left: approx. 6 l
  - right: approx. 9 l

## 3.3 Cleaning and maintenance

### Cleaning and maintenance of the concealed cistern

In consideration of the mechanical, chemical and physical conditions, the concealed cistern is constantly laden.

For this reason, the components must be cleaned, as required, and the drain and filling valve seals renewed.

In areas or regions with hard water due to calcium or magnesium salts, there is the risk of limescale deposits developing on the inlet and drain valves.

The valves may have to be replaced, depending on the extent of deposits.

### **3.4 Disposal**

Separate the product and packaging materials (e. g. paper, metal, plastic or non-ferrous metals) and dispose of in accordance with valid national legal requirements.