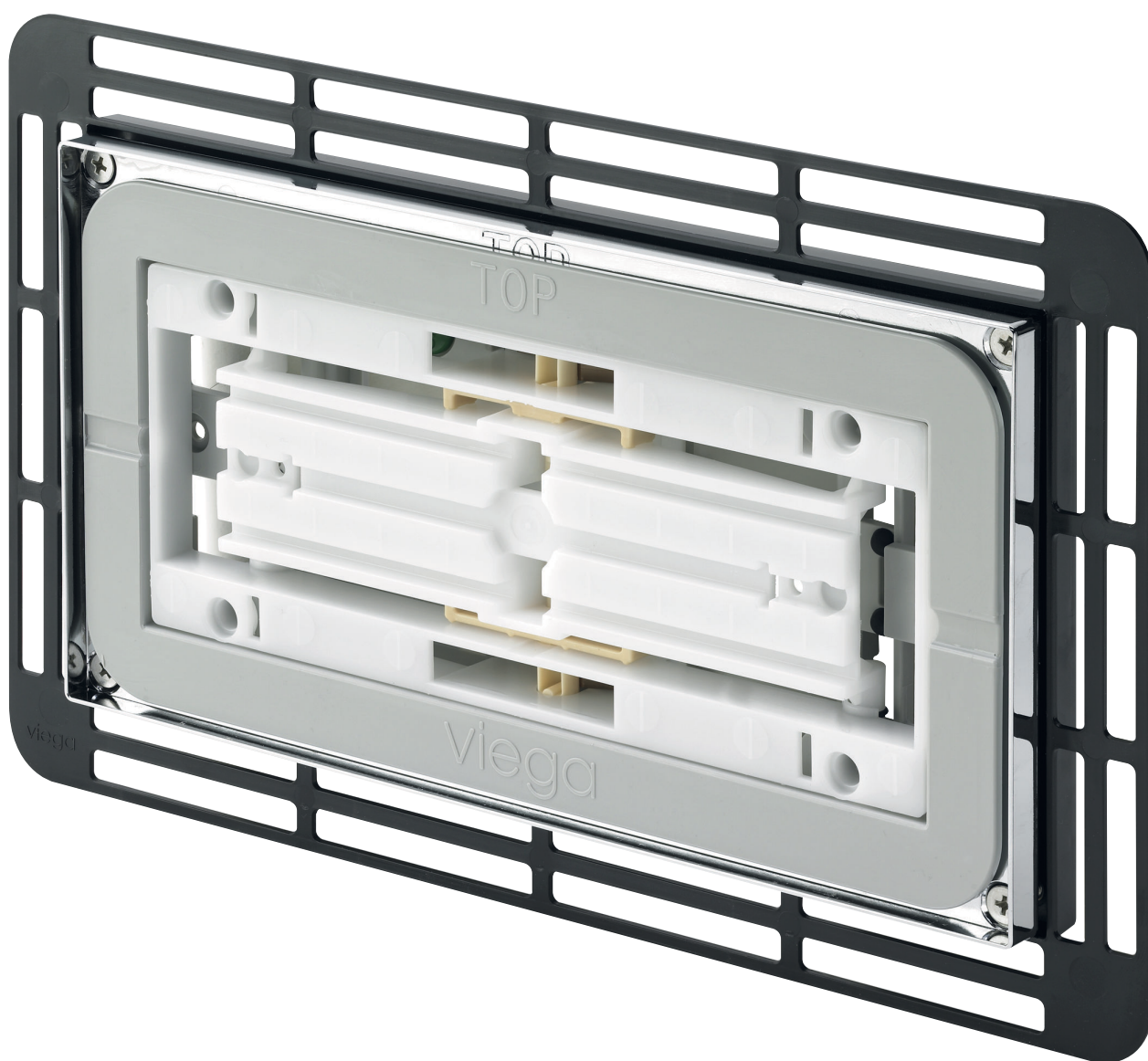


## Instructions for Use

### Functional unit



for tile-level installation of the WC flush plate, natural stone covering supplied by others

**Model**  
8332.3

**Year built (from)**  
06/2009

**viega**

# Table of contents

<b>1</b>	<b>About these instructions for use</b>	<b>3</b>
	1.1 Target groups	3
	1.2 Labelling of notes	3
	1.3 About this translated version	4
<b>2</b>	<b>Product information</b>	<b>5</b>
	2.1 Intended use	5
	2.1.1 Areas of use	5
	2.2 Product description	5
	2.2.1 Overview	5
	2.2.2 Technical data	6
<b>3</b>	<b>Handling</b>	<b>7</b>
	3.1 Assembly information	7
	3.1.1 Required material and tools	7
	3.2 Assembly	8
	3.2.1 Mounting the functional unit	8
	3.2.2 Prepare cistern	10
	3.2.3 Mount flush actuation	13
	3.2.4 Mounting the flush plate	13
	3.3 Commissioning	15
	3.3.1 Setting the flush	15
	3.4 Error, faults and remedy	15
	3.5 Disposal	15

# 1 About these instructions for use

Trade mark rights exist for this document, further information can be found at [viega.com/legal](http://viega.com/legal).

## 1.1 Target groups

The information in this instruction manual is directed at the following groups of people:

- Heating and sanitary professionals and trained personnel

It is not permitted for individuals without the abovementioned training or qualification to mount, install and, if required, service this product. This restriction does not extend to possible operating instructions.

The installation of Viega products must take place in accordance with the general rules of engineering and the Viega instructions for use.

## 1.2 Labelling of notes

Warning and advisory texts are set aside from the remainder of the text and are labelled with the relevant pictographs.



### **DANGER!**

This symbol warns against possible life-threatening injury.



### **WARNING!**

This symbol warns against possible serious injury.



### **CAUTION!**

This symbol warns against possible injury.



### **NOTICE!**

This symbol warns against possible damage to property.



Notes give you additional helpful tips.

### 1.3 About this translated version

This instruction for use contains important information about the choice of product or system, assembly and commissioning as well as intended use and, if required, maintenance measures. The information about the products, their properties and application technology are based on the current standards in Europe (e. g. EN) and/or in Germany (e. g. DIN/DVGW).

Some passages in the text may refer to technical codes in Europe/Germany. These should serve as recommendations in the absence of corresponding national regulations. The pertinent national laws, standards, regulations and guidelines, as well as other technical guidelines, have priority over German/European guidelines in this manual: The information is not binding for other countries and territories and should, as mentioned, be considered as support.

## 2 Product information

### 2.1 Intended use

#### 2.1.1 Areas of use

The functional unit for natural stone panels is suitable for the tile-level installation of flush plates with individually laid natural stone supplied on-site.

The functional unit is suitable for concealed cisterns of the following pre-wall systems:

- Viega Steptec
- Viegaswift
- Viega Eco Plus

### 2.2 Product description

#### 2.2.1 Overview

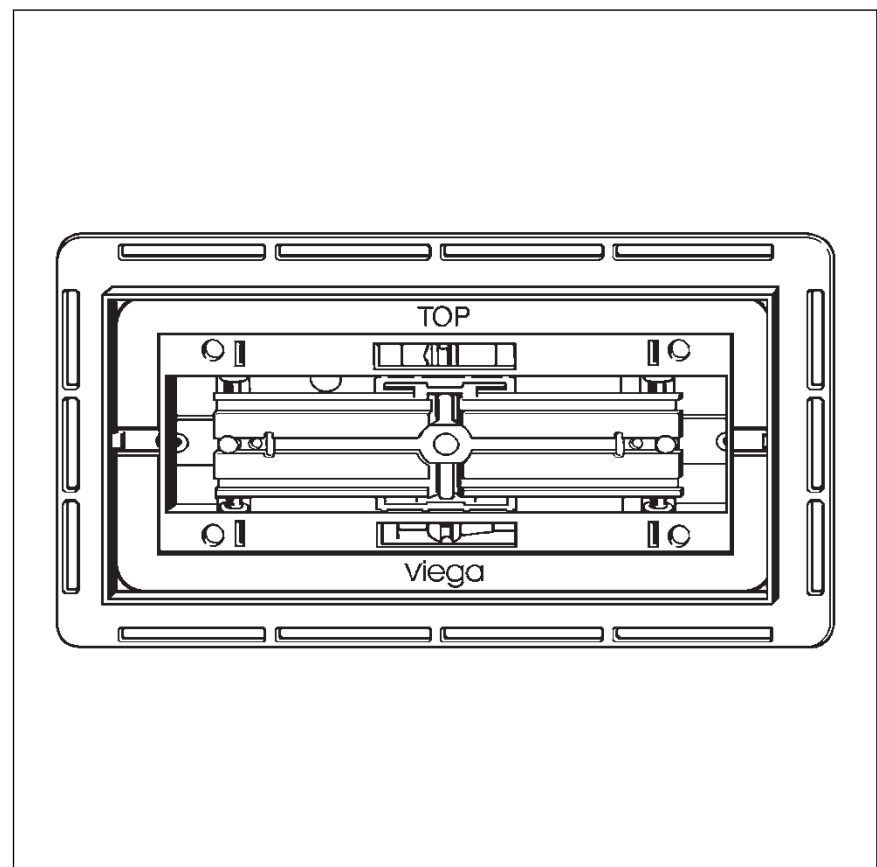


Fig. 1: Component overview

## 2.2.2 Technical data

The product has the following technical data:

## 3 Handling

### 3.1 Assembly information

#### 3.1.1 Required material and tools

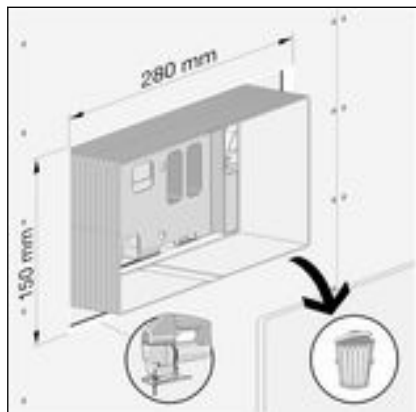
##### Material

The following material is required for mounting:

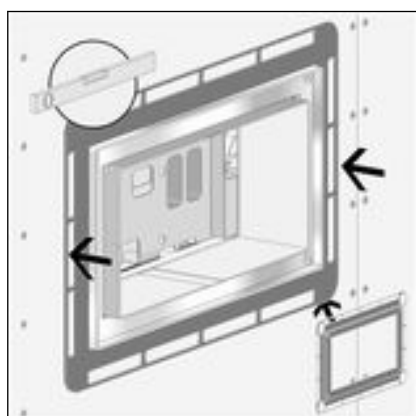
- Pactan cleaning agent 14
- Pactan silicone adhesive 7043
- Natural stone panel

## 3.2 Assembly

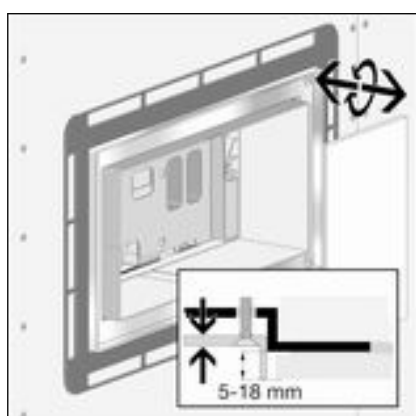
### 3.2.1 Mounting the functional unit



- Mark the internal contour (280 x 150 mm) of the installation frame on the cladding panel.
- Use a keyhole saw to cut the cladding panel out along the dimension line.
- Clad the remaining pre-wall according to the Viega specifications.
- Dispose of the cover of the revision shaft.



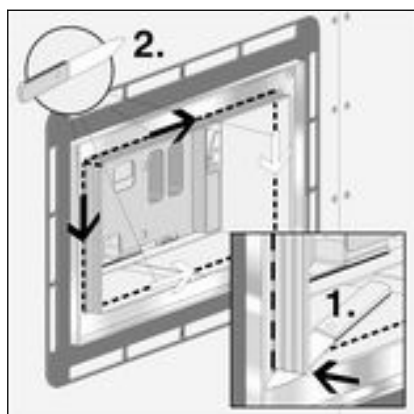
- Align the installation frame centrally over the revision shaft.  
A length of double-faced adhesive tape is provided at one side of the installation frame.
- Stick the installation frame onto the cladding panel.



- Adjust the chrome-plated internal frame to the respective wall covering.  
The upper edge of the chrome-plated internal frame must be flush with the wall tile.  
Setting range 5–18 mm.

**INFO! Make allowance for the thickness of the tile adhesive!**

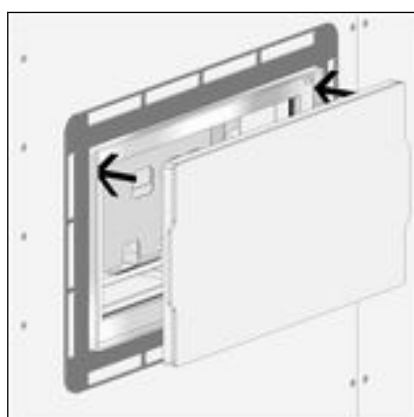




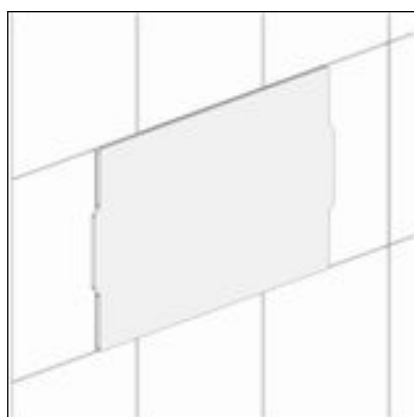
► Shorten revision shaft flush with the chrome-plated internal frame.

**INFO!**

- First, cut the corners of the revision shaft.
- Then fold the sides.



► Mount the cover onto the internal frame.



► Have the tiler tile the pre-wall.

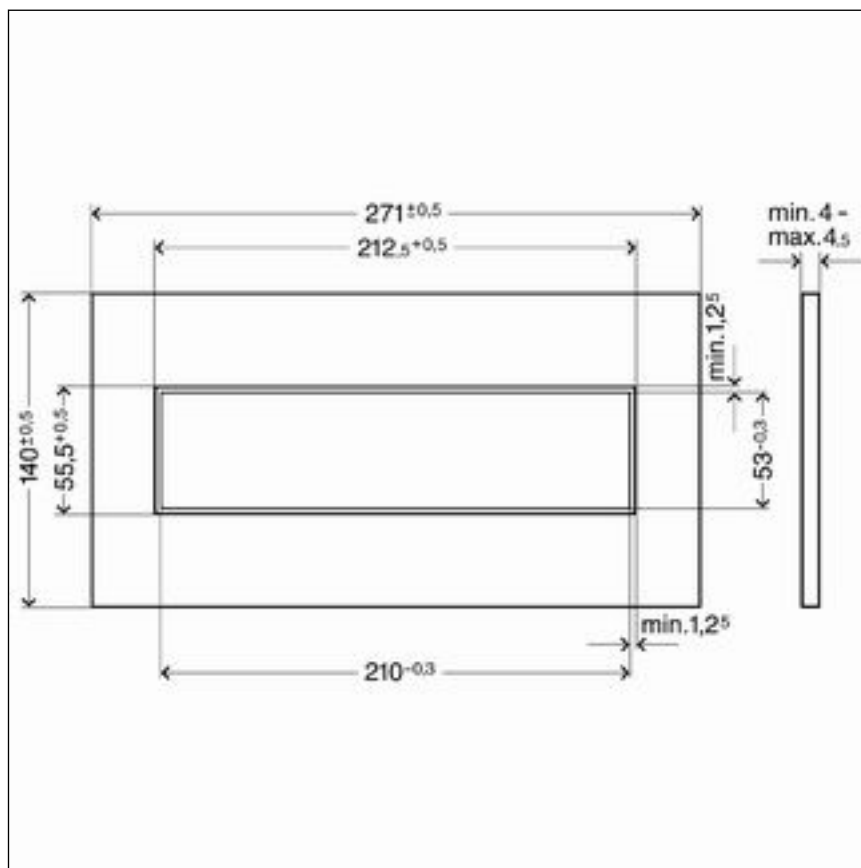


Fig. 2: Dimensional drawing 8332.3

- Cut the natural stone coverings according to the dimensional drawing.

Take the tolerance and thickness of the covering into consideration.

- Ensure that the plastic surfaces are clean, dry, and free of grease.
- Apply Pactan adhesive cleaner 14 to the plastic surfaces to which you will attach the stone coverings – do not apply to the stone!

If applied correctly, the adhesive cleaner leaves a thin film on the plastic surface.

- Use Pactan silicone adhesive 7043 to glue the natural stone covering into the recess of the flush plate.
- Allow the adhesive to cure completely.
- Place the functional unit onto the basic panel.

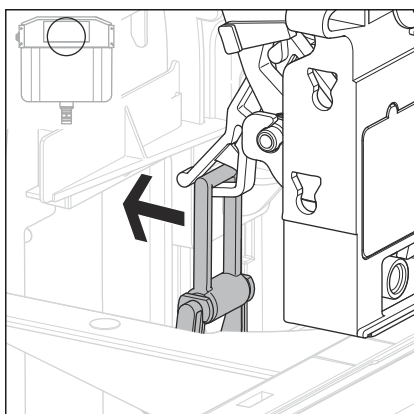
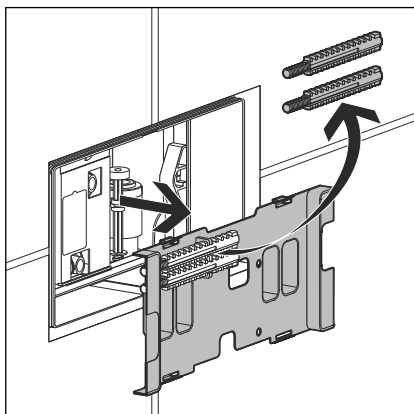
### 3.2.2 Prepare cistern



The following work stages and diagrams differ depending on the cistern being used. The relevant steps are marked accordingly.

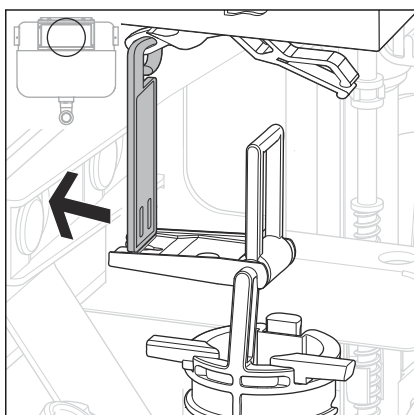
**Requirements:**

- The cistern is fitted into the pre-wall.
- The pre-wall is tiled.
- Remove cistern cover.
- Remove and keep the threaded bolts from the cistern cover.



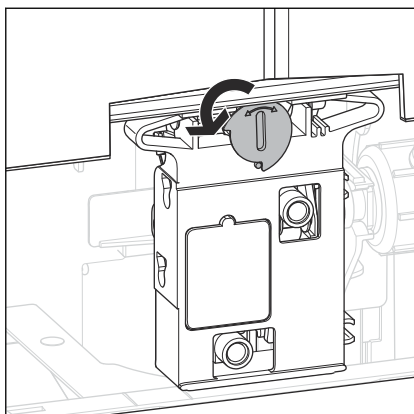
**INFO! Only for assembly of the flush plate in cistern 2H or on the front of cistern 2L.**

- Press the bow backwards from the mounting of the mechanism.

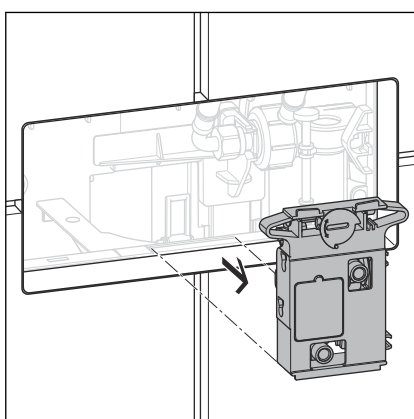


**INFO! Only for assembly of the flush plate on the top of cistern 2L.**

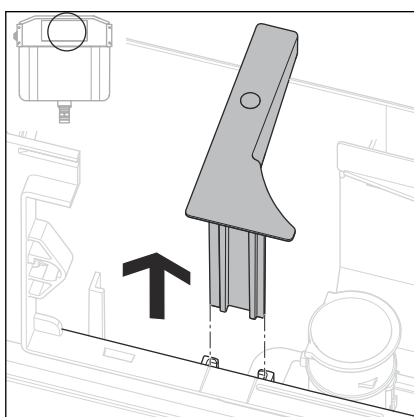
- Press the bow backwards from the mounting of the mechanism.



- Turn the mechanism's lock by 90° in an anti-clockwise direction.
- The mechanism is unlocked and can be removed.



- Remove and dispose of mechanism.

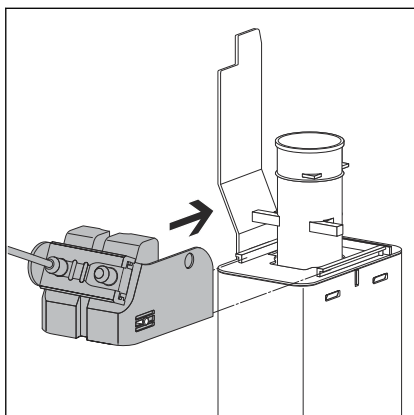


**INFO! Only with the cistern 2H.**

- Remove and keep spacer.

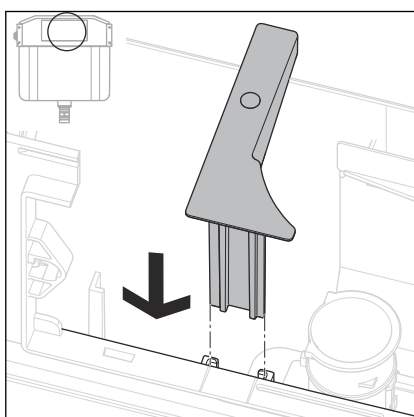
### 3.2.3 Mount flush actuation

#### Mount Bowden cable unit



- Push the Bowden cable unit onto the drain valve from the left.

The Bowden cable unit must be felt to click into place on the drain valve.



#### **INFO! Only with the cistern 2H.**

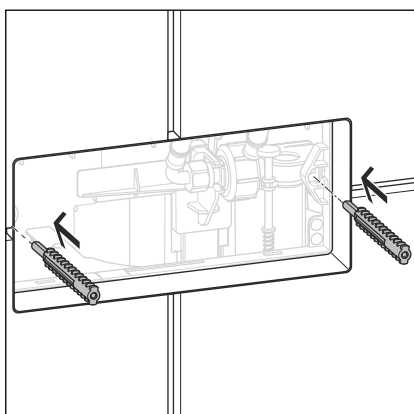
- Re-insert the spacer.

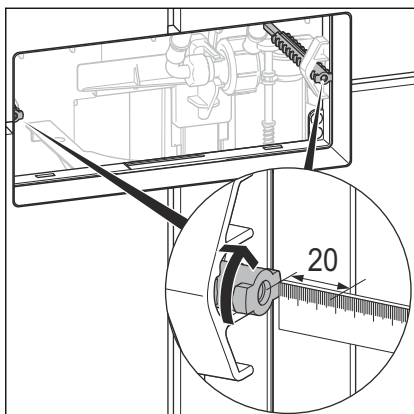
### 3.2.4 Mounting the flush plate

Requirements:

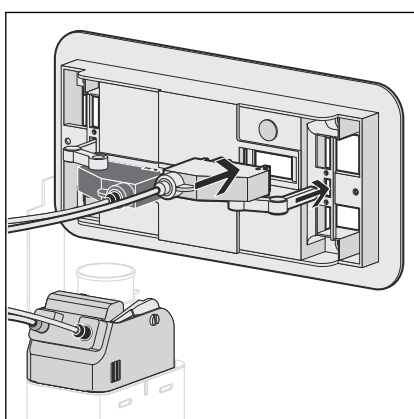
- The flush actuation has been mounted.
- Insert the threaded bolts left and right into the holders.

The threaded anchors must be positioned to the top and bottom.

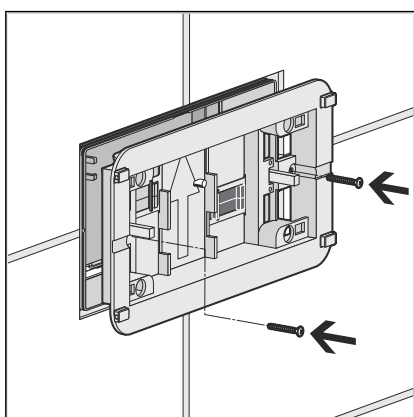




- Insert the threaded bolts so deeply that the upper edge of the threaded bolt sticks out approx. 20 mm behind the upper edge of the tiles.
- Fasten threaded bolts with a 90° turn.



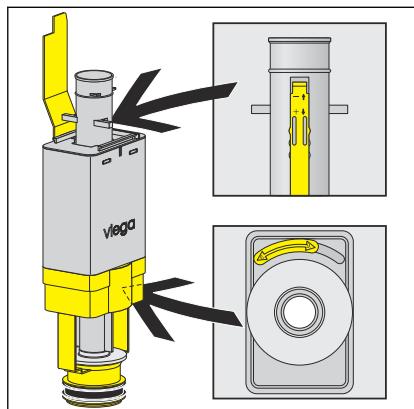
- Mount Bowden cable unit onto the rear side of the basic panel.
- INFO! Observe the colour of the adapter!**



- Screw on basic panel.

### 3.3 Commissioning

#### 3.3.1 Setting the flush



► Set the flush volume on the drain valve of the cistern.

### 3.4 Error, faults and remedy

Error	Cause	Remedy
WC does not flush	Cistern is not yet completely full	Wait until the cistern is sufficiently full
	No water in cistern, corner valve is closed	Open corner valve
WC flush runs through	Dirty seal in filling valve	Check seal, replace if necessary
	Dirty seal in drain valve	Check seal, replace if necessary
WC flush actuation does not work	The mechanism is not connected to the bow Bowden cable unit not properly mounted on drain valve or basic panel.	Hang the mechanism in the bow Check the position of the Bowden cable unit.

### 3.5 Disposal

Separate the product and packaging materials (e. g. paper, metal, plastic or non-ferrous metals) and dispose of in accordance with valid national legal requirements.



**Viega GmbH & Co. KG**  
service-technik@viega.de  
viega.com

INT • 2022-08 • VPN140594

