

Instructions for Use

Citaplex drain/overflow



Model
6176.8

Year built (from)
06/2015

Table of contents

1	About these instructions for use	3
	1.1 Target groups	3
	1.2 Labelling of notes	3
	1.3 About this translated version	4
2	Product information	5
	2.1 Intended use	5
	2.1.1 mt9Areas of use	5
	2.2 Product description	6
	2.2.1 Overview	6
	2.2.2 Technical data	7
3	Handling	8
	3.1 Assembly information	8
	3.1.1 Mounting conditions	8
	3.1.2 Installation dimensions	8
	3.1.3 Required tools and materials	9
	3.2 Assembly	9
	3.2.1 Mounting overflow	9
	3.2.2 Mounting the drain	10
	3.2.3 Connecting overflow and drain	10
	3.2.4 Connecting the wastewater system	11
	3.2.5 Mounting equipment set	12
	3.2.6 Leakage test	14
	3.3 Maintenance	14
	3.4 Disposal	14

1 About these instructions for use

Trade mark rights exist for this document, further information can be found at viega.com/legal.

1.1 Target groups

The information in this instruction manual is directed at the following groups of people:

- heating and sanitary professionals and trained personnel
- operators
- consumers

It is not permitted for individuals without the abovementioned training or qualification to mount, install and, if required, service this product. This restriction does not extend to possible operating instructions.

The installation of Viega products must take place in accordance with the general rules of engineering and the Viega instructions for use.

1.2 Labelling of notes

Warning and advisory texts are set aside from the remainder of the text and are labelled with the relevant pictographs.



DANGER!

This symbol warns against possible life-threatening injury.



WARNING!

This symbol warns against possible serious injury.



CAUTION!

This symbol warns against possible injury.



NOTICE!

This symbol warns against possible damage to property.



Notes give you additional helpful tips.

1.3 About this translated version

This instruction for use contains important information about the choice of product or system, assembly and commissioning as well as intended use and, if required, maintenance measures. The information about the products, their properties and application technology are based on the current standards in Europe (e. g. EN) and/or in Germany (e. g. DIN/DVGW).

Some passages in the text may refer to technical codes in Europe/Germany. These should serve as recommendations in the absence of corresponding national regulations. The pertinent national laws, standards, regulations and guidelines, as well as other technical guidelines, have priority over German/European guidelines in this manual: The information is not binding for other countries and territories and should, as mentioned, be considered as support.

2 Product information

2.1 Intended use

2.1.1 mt9Areas of use



NOTICE!

Risk of damage due to unsuitable liquids.

To avoid damaging the drain, only introduce the following liquids:

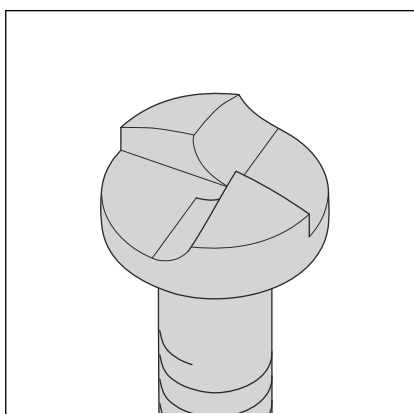
- Liquids with a pH-value higher than 4
- typical household wastewater with temperatures up to 95 °C

The Citaplex drain/overflow is a combined drain and overflow with odour trap for bathtubs with a 52 mm drain hole.

The drain/overflow is suitable for standard bathtubs with the drain on the head end.

Detailed information regarding all bathtub models and the corresponding Viega drains / overflows can be found in the catalogue or on the Internet.

Safety



To prevent unauthorised removal, the model is delivered with safety screws.

The ridges on the head of the safety screw are flat on one side, thus allowing them to be tightened in a clockwise direction. The screwdriver is unable to grip when turning the screw anti-clockwise. The screw can therefore not be loosened.

2.2 Product description

2.2.1 Overview

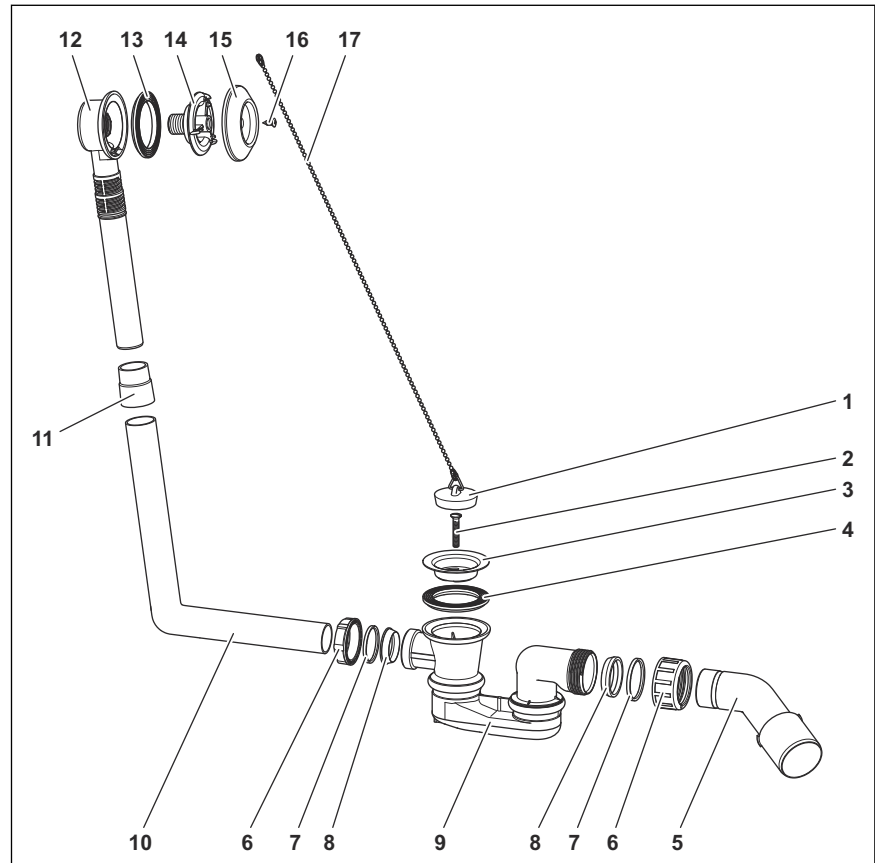


Fig. 1: Component overview

- 1 - valve plug with fixing chain
- 2 - safety screw
- 3 - valve top
- 4 - double seal
- 5 - drain elbow
- 6 - union nut
- 7 - sliding ring
- 8 - seal
- 9 - drain unit with odour trap
- 10 - overflow pipe
- 11 - sleeve
- 12 - overflow unit
- 13 - profile seal
- 14 - fixing flange
- 15 - rosette
- 16 - safety screw
- 17 - chain

2.2.2 Technical data

Drainage capacity (at an accumulation height of 300 mm)	0.87 l/s
Overflow capacity (at an accumulation height of 60 mm)	0.63 l/s
Diameter of bathtub drain hole	52 mm
DN (nominal diameter) drain socket	40 / 50 mm
Length	120–240 mm
Height	180–400 mm
Dimensions and installation depth	☞ <i>Chapter 3.1.2 'Installation dimensions' on page 8</i>
Water seal level	50 mm

3 Handling

3.1 Assembly information

3.1.1 Mounting conditions

The following requirements exist for the mounting of the drain / overflow:

- The bathtub is installed.
- The drainage line is installed all the way to the bathtub.
- The underside of the bathtub is accessible.

3.1.2 Installation dimensions

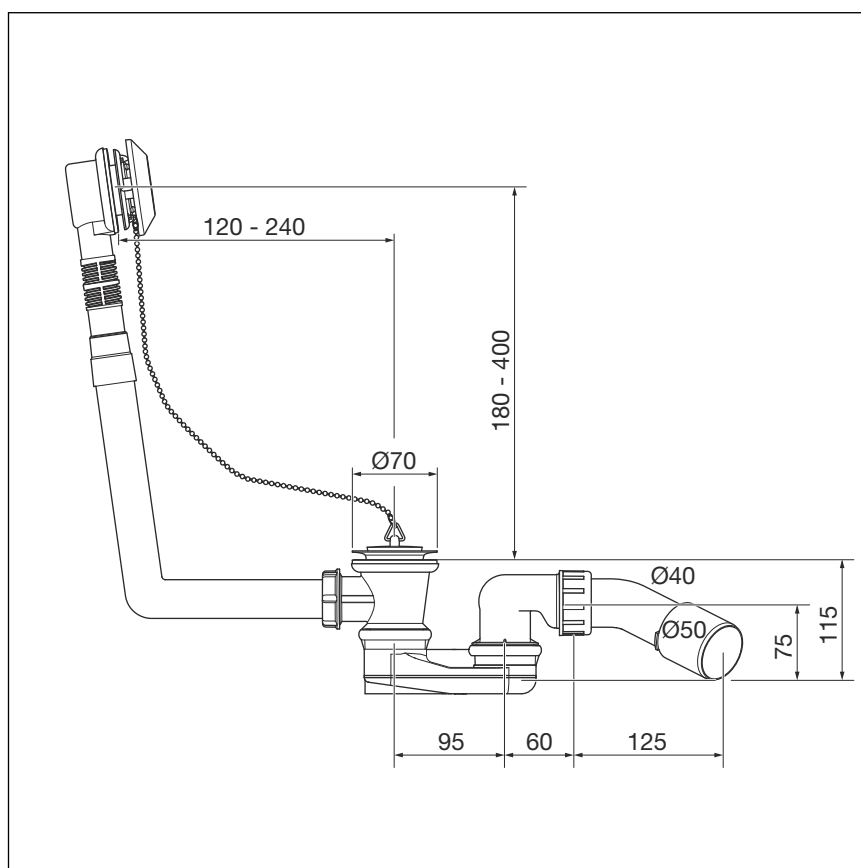


Fig. 2: Dimensional drawing

3.1.3 Required tools and materials

Tool

The following tools are required for mounting:

- fine-toothed saw
- flat-blade screwdriver

Material

No additional material is required for the complete mounting of the product.

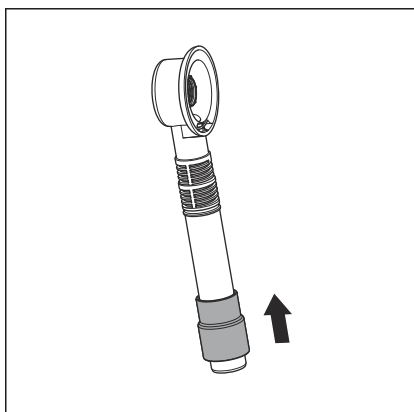
3.2 Assembly

3.2.1 Mounting overflow

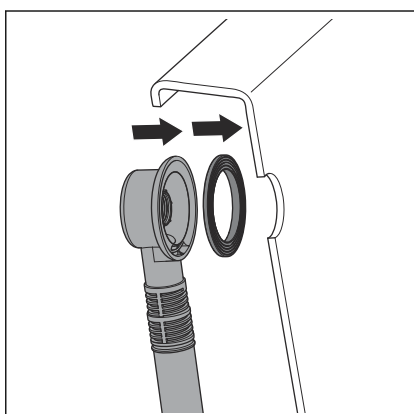
Proceed as follows to the mounting of the overflow:

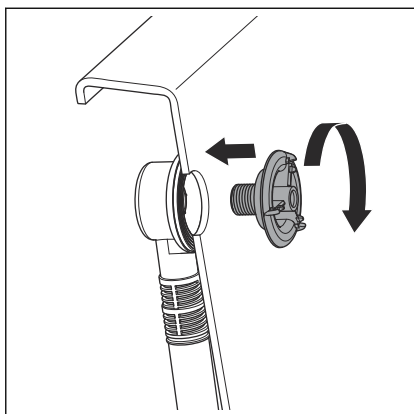
- Push the rubber sleeve onto the pipe of the overflow unit.

The lower edge must be flush with the edge of the overflow pipe.



- Fit profile seal in the overflow unit.

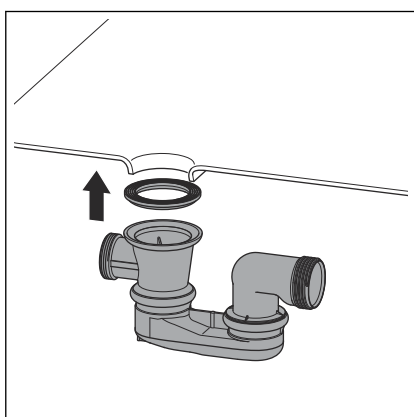




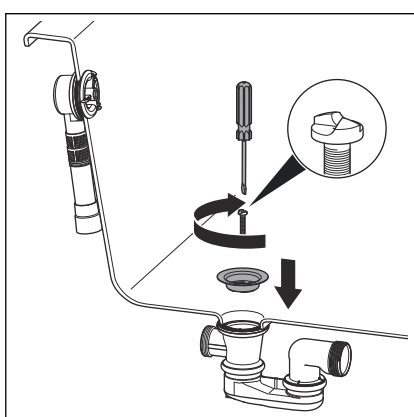
- Hold the overflow unit on the overflow opening of the bathtub from the outside.
- Screw the fixing flange into the overflow unit by hand.
Pliers or other tools may damage the fixing flange. Only turn the fixing flange by hand.

3.2.2 Mounting the drain

Proceed as follows to mount the drain:



- Place the profile seal in the recess of the drain unit.
- Mount the drain unit with profile seal on the drain opening of the bathtub from below.



- Fit the valve top in the drain opening.

INFO! The screw supplied is a safety screw that cannot be unscrewed again. Before screwing tight, ensure that the product is fully and properly mounted.

- Place the fixing screw in the drain unit and tighten using a flat-blade screwdriver.

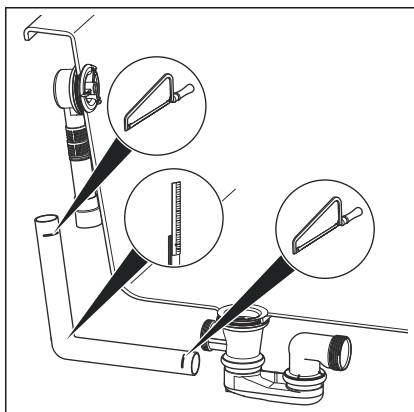
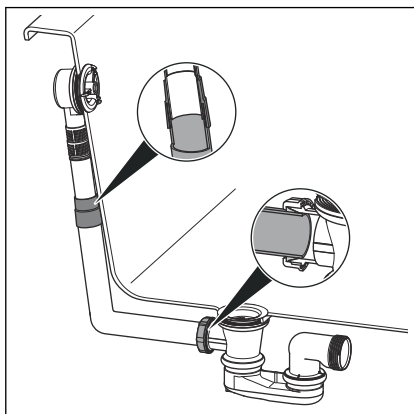
3.2.3 Connecting overflow and drain

After the overflow and the drain have been mounted, you must connect them both using the overflow pipe. Proceed as follows:

Requirements:

- The overflow is mounted in the overflow opening.
- The drain is securely mounted on the base of the bathtub.

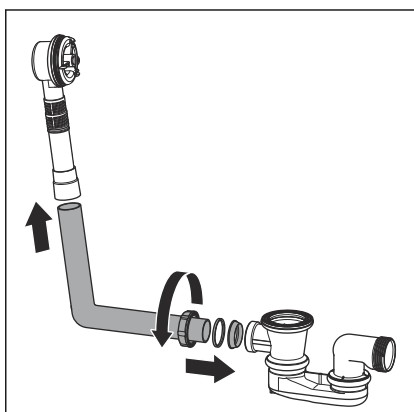
NOTICE! Connections where the pipes are not inserted far enough into each other become leaky. For this reason, maintain a minimum insertion depth of 15 mm for every connection.



- Hold the pipe of the overflow unit parallel to the overflow pipe and mark the positions where the drain and the overflow should be connected.

Maintain an insertion depth of at least 15 mm!

- Cut the overflow pipe to the marked length and, if necessary, deburr.



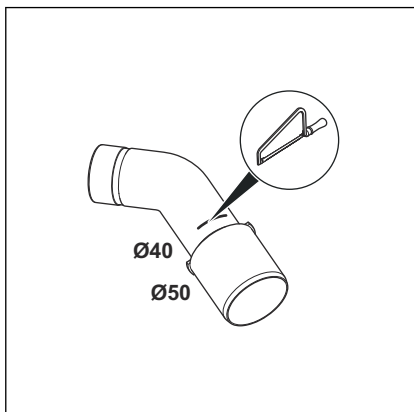
- Push the top end of the overflow pipe into the rubber sleeve. Maintain an insertion depth of at least 15 mm!
- Push the union nut, sliding ring and seal onto the bottom end of the drain elbow.
- Screw the union nut on the drain unit.

3.2.4 Connecting the wastewater system

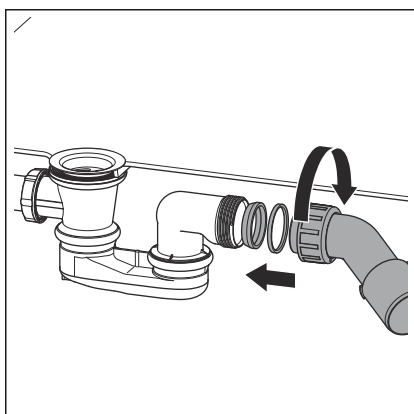
Proceed as follows to connect the drain/overflow to the wastewater system:

Requirements:

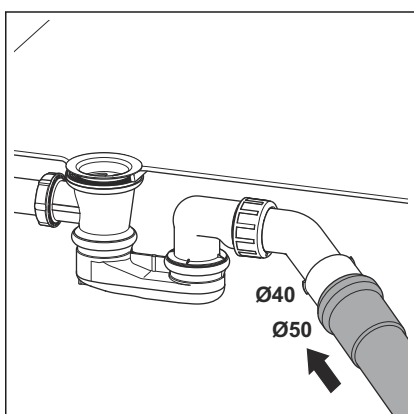
- The overflow and drain units are installed on the bathtub.
- The connection between overflow and drain has been made.
- If the wastewater pipe only has a diameter of 40 mm, cut off drain elbow.



- Push union nut, sliding ring and seal onto the drain elbow.
 - Screw the union nut on the drain unit.
- Maintain an insertion depth of at least 15 mm!

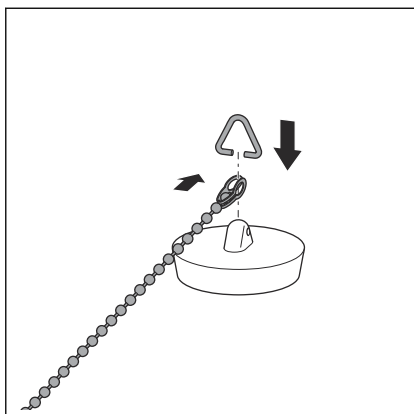


- Align the odour trap in such a way that the drain elbow can be connected to the wastewater pipe.
- Turn the drain at the two joints until the required position has been reached.
- Push wastewater pipe in the drain elbow.

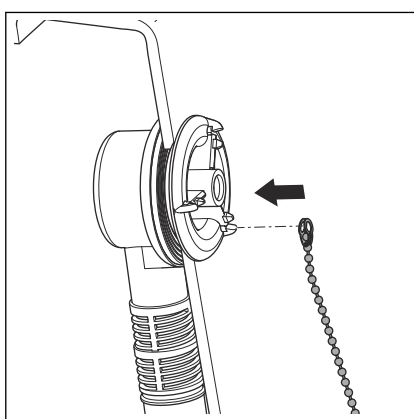


3.2.5 Mounting equipment set

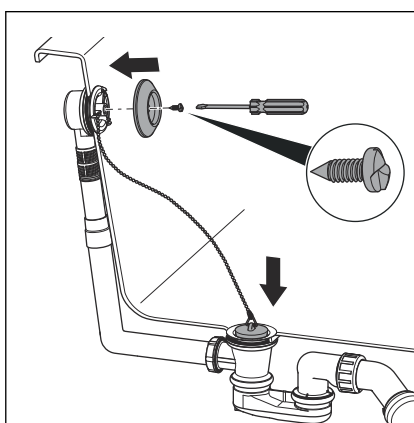
Proceed as follows to mount the equipment set:



- Gently bend open the bow of the valve plug.
- Thread the eyelet of the chain onto the bow.
- Bend the bow of the valve plug back together.



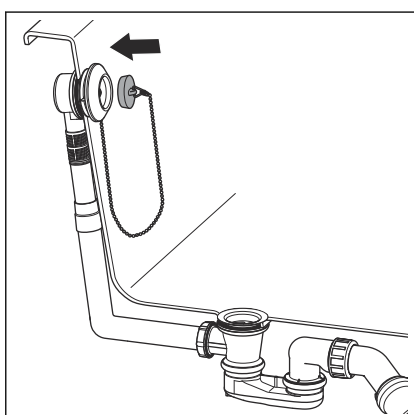
- Hang the free eyelet of the chain onto the bottom hook of the fixing flange.



- Place the valve plug into the drain valve.
The chain should hang loosely between fixing flange and drain.

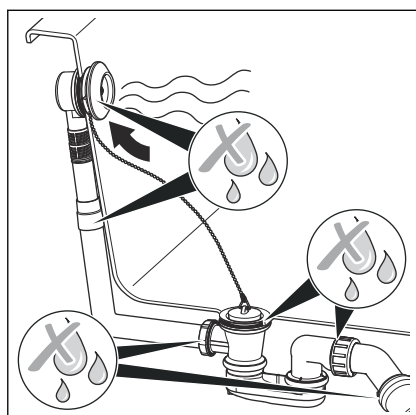
INFO! The screw supplied is a safety screw that cannot be unscrewed again. Before screwing tight, ensure that the product is fully and properly mounted.

- Place the rosette onto the fixing flange of the overflow and tighten hand-tight with the screw supplied.



- The valve plug can be inserted into the rosette for safe-keeping.

3.2.6 Leakage test



The leakage test is only carried out as a visual inspection.

- Check drain/overflow fitting for visible leaks.

3.3 Maintenance



NOTICE! Risk of damage due to unsuitable cleaning agent.

The following cleaning agents can damage chrome-plated surfaces and therefore may not be used:

- scouring agent
- abrasive sponges
- lime, plaster or cement dissolver
- solvents or other acidic cleaning agents

Normal soap or a mild cleaning agent can be used for regular care and prevention of lime scale on the rotatable rosette and valve cone. Under no circumstances should scouring agent or scratching objects be used.

Strong stains, even around the drain unit and the siphon, can be removed using typical household cleaner. It should be noted that the cleaning agent should be rinsed off after the prescribed soaking time. There should be no residue on the components.

3.4 Disposal

Separate the product and packaging materials (e. g. paper, metal, plastic or non-ferrous metals) and dispose of in accordance with valid national legal requirements.



Viega GmbH & Co. KG
service-technik@viega.de
viega.com

INT • 2022-08 • VPN140257

