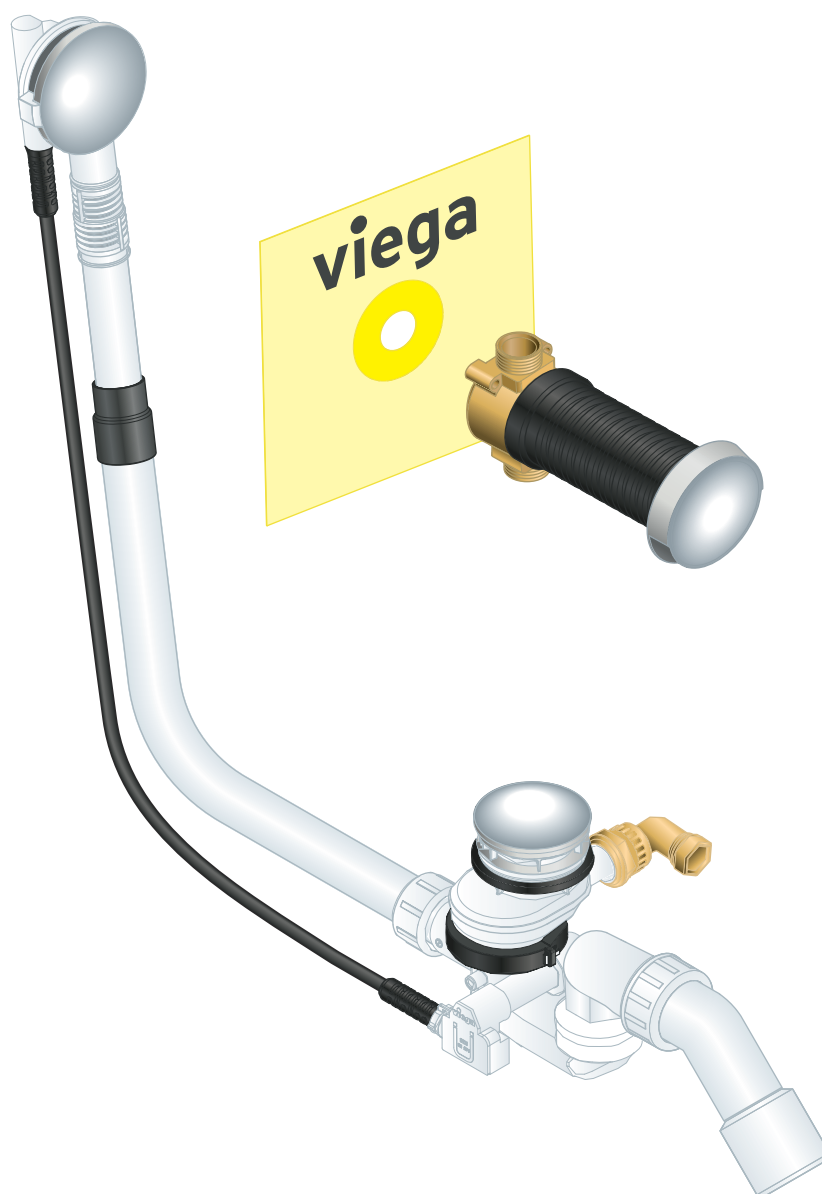


## Instructions for Use

# Multiplex Trio F drain and overflow functional unit



for water supply through drain unit

**Model**  
6145.5

**Year built (from)**  
06/2015

**viega**

# Table of contents

<b>1</b>	<b>About these instructions for use</b>	<b>3</b>
	1.1 Target groups	3
	1.2 Labelling of notes	3
	1.3 About this translated version	4
<b>2</b>	<b>Product information</b>	<b>5</b>
	2.1 Intended use	5
	2.1.1 Areas of application	5
	2.2 Product description	6
	2.2.1 Overview	6
	2.2.2 Technical data	7
	2.3 Accessories	7
<b>3</b>	<b>Handling</b>	<b>8</b>
	3.1 Assembly information	8
	3.1.1 Mounting conditions	8
	3.1.2 Installation dimensions	10
	3.1.3 Required tools and materials	10
	3.2 Assembly	11
	3.2.1 Connect and mount pipe interrupter	11
	3.2.2 Mounting overflow	14
	3.2.3 Mounting the drain	15
	3.2.4 Connecting overflow and drain	16
	3.2.5 Connecting the wastewater system	17
	3.2.6 Connecting the inlet	17
	3.2.7 Mounting equipment set	19
	3.2.8 Leakage test	20
	3.3 Use	20
	3.4 Simple maintenance and cleaning pipe	21
	3.4.1 Care	21
	3.4.2 Cleaning pipe interrupter	21
	3.4.3 Cleaning the drain	23
	3.5 Disposal	25

# 1 About these instructions for use

Trade mark rights exist for this document; for further information, go to [viega.com/legal](http://viega.com/legal).

## 1.1 Target groups

The information in this instruction manual is directed at the following groups of people:

- Heating and plumbing experts and trained personnel
- Operators
- Consumers

Individuals without the abovementioned training or qualification are not permitted to mount, install and, if required, maintain this product. This restriction does not extend to possible operating instructions.

The installation of Viega products must take place in accordance with the general rules of engineering and the Viega instructions for use.

## 1.2 Labelling of notes

Warning and advisory texts are set aside from the remainder of the text and are labelled with the relevant pictographs.



### **DANGER!**

This symbol warns of possible life-threatening injury.



### **WARNING!**

This symbol warns of possible serious injury.



### **CAUTION!**

This symbol warns of possible injury.



### **NOTICE!**

This symbol warns of possible damage to property.



This symbol gives additional information and hints.

### 1.3 About this translated version

This instruction for use contains important information about the choice of product or system, assembly and commissioning as well as intended use and, if required, maintenance measures. The information about the products, their properties and application technology are based on the current standards in Europe (e.g. EN) and/or in Germany (e.g. DIN/DVGW).

Some passages in the text may refer to technical codes in Europe/Germany. These should serve as recommendations in the absence of corresponding national regulations. The relevant national laws, standards, regulations, directives and other technical provisions take priority over the German/European directives specified in this manual: The information herein is not binding for other countries and regions; as said above, they should be understood as a recommendation.

## 2 Product information

### 2.1 Intended use

#### 2.1.1 Areas of application



#### **NOTICE!**

#### **Risk of damage due to unsuitable liquids**

To avoid damaging the drain, only introduce the following liquids:

- Typical household wastewater with temperatures up to 95 °C
- The pH value must be higher than 4 but lower than 10.

The Multiplex Trio drain/overflow is a combined inlet, drain and overflow with odour trap for bathtubs with a 52 mm drain hole. The inlet flows particularly quietly through the overflow opening.

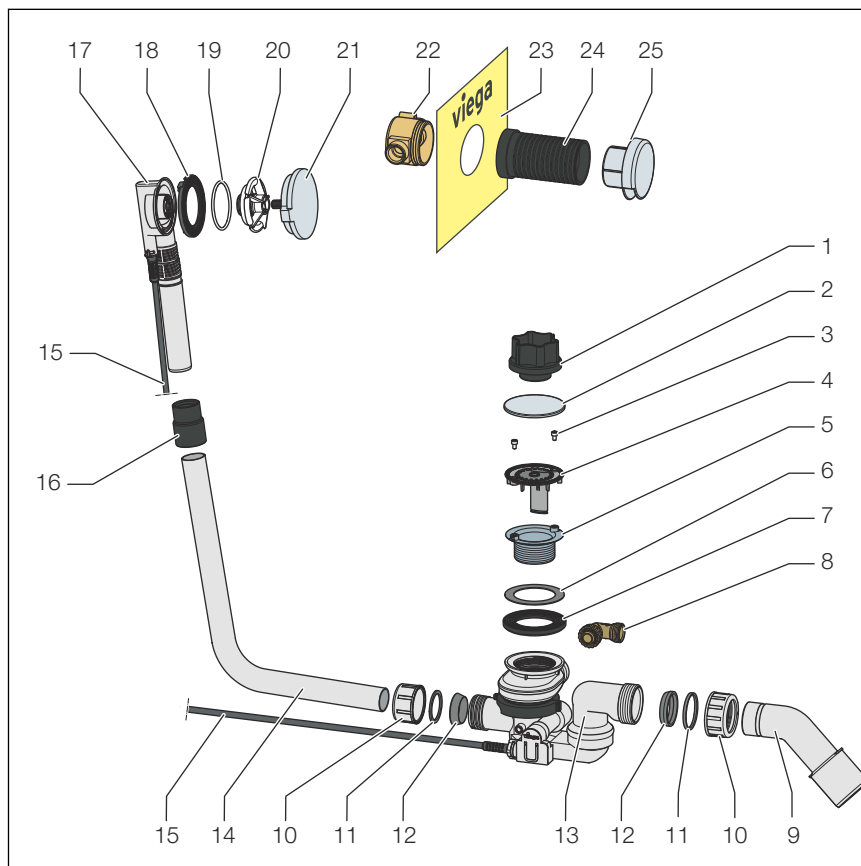
The drain/overflow is suitable for bathtubs with a middle connection.

Detailed information regarding all bathtub models and the corresponding Viega drains/overflows can be found in the catalogue or on the Internet.

## 2.2 Product description

### 2.2.1 Overview

The following components are included in the scope of delivery of the Multiplex Trio F drain / overflow:



**Fig. 1: Component overview**

- 1 Mounting aid
- 2 Cover plate
- 3 Fixing screws
- 4 Inlet element
- 5 screw-in valve (1 x 22.5 mm, 1 x 30 mm)
- 6 Seal
- 7 Profile seal
- 8 connection elbow
- 9 Waste elbow
- 10 Union nut
- 11 Sliding ring
- 12 Seal
- 13 drain unit with odour trap
- 14 Overflow pipe
- 15 Bowden cable
- 16 Coupling
- 17 Overflow unit
- 18 Profile seal
- 19 O-ring
- 20 Fixing flange
- 21 Rotatable rosette
- 22 pipe interrupter casing

- 23 Sealing collar
- 24 top of the pipe interrupter
- 25 pipe interrupter rosette

## 2.2.2 Technical data

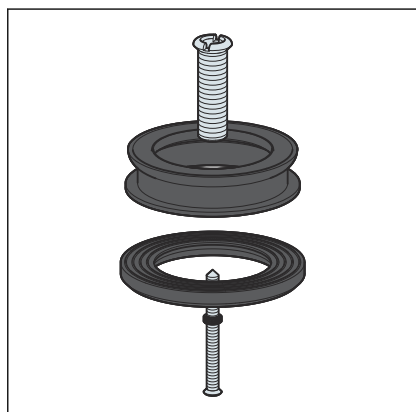
Drainage capacity (at an accumulation height of 300 mm)	0.85 l/s
Overflow capacity (at an accumulation height of 60 mm)	0.63 l/s
Inlet capacity (at 0.25 MPa (2.5 bar))	20 l/min
Diameter of bathtub drain hole	52 mm
DN (nominal diameter) outlet pipe	40 / 50 mm
Length of Bowden cable	725 mm
Length	130–370 mm
Height	180–480 mm
Dimensions and installation depth	☞ Chapter 3.1.2 'Installation dimensions' on page 10
Water seal level	50 mm

## 2.3 Accessories



The accessories shown here are not included in the scope of delivery. If required, it must be purchased separately.

### Optional accessories



#### Multiplex extension set

It is possible to extend the odour trap below the bathtub in the case of bathtubs with a very thick floor. The extension set, model 6161.7, is available for such cases.

## 3 Handling

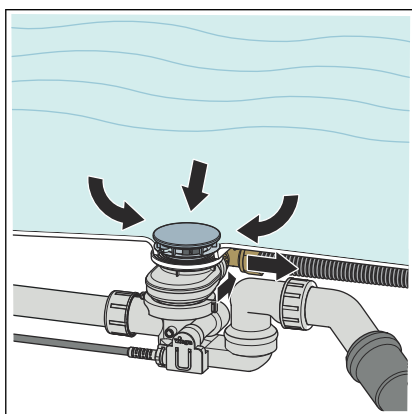
### 3.1 Assembly information

#### 3.1.1 Mounting conditions

The following requirements exist for the mounting of the drain / overflow:

- The bathtub is installed.
- The drain pipeline is installed all the way to the bathtub.
- The underside of the bathtub is accessible.

#### Pipe interrupter

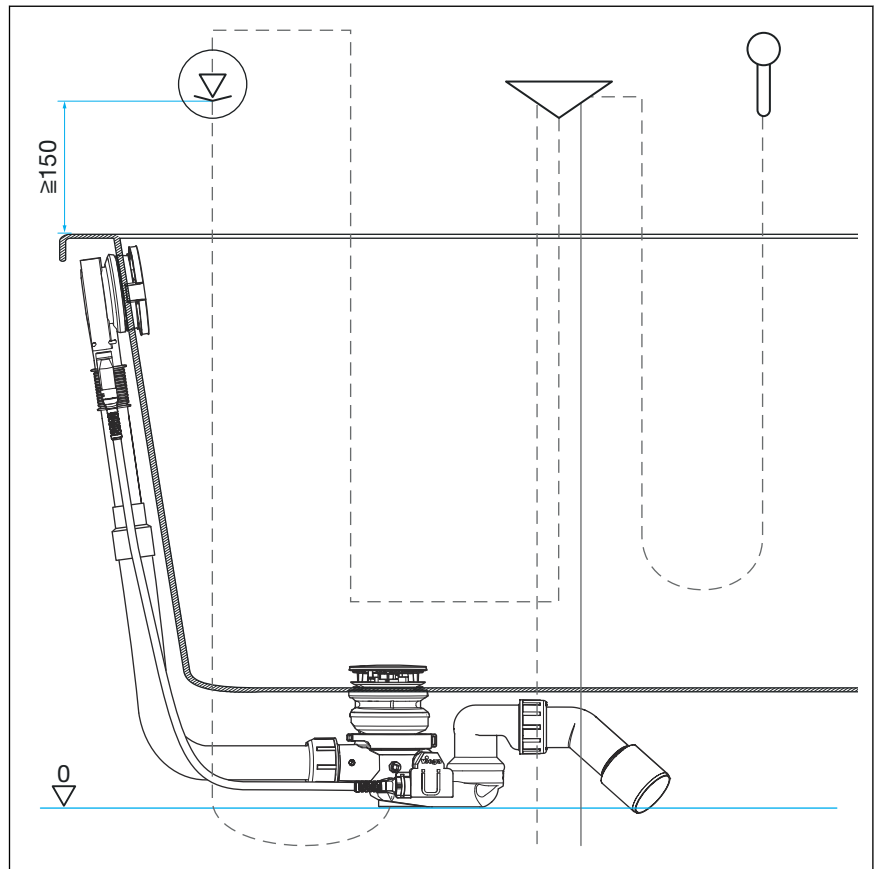


**Backflow situation:** If a negative pressure situation should occur when the bathtub is filled, bath water may flow back into the potable water installation.

To ensure that no bath water flows back into the potable water installation, a pipe interrupter must be installed in the pipeline between the shut-off valve and the bathtub inlet.

The following schematic diagram shows what this should look like:





**Fig. 2: Mounting scheme with pipe interrupter**

It is important that the pipe interrupter is mounted vertically, in the direction of flow and at least 150 mm above the upper edge of the bathtub.

Observe the local standards and regulations.

### 3.1.2 Installation dimensions

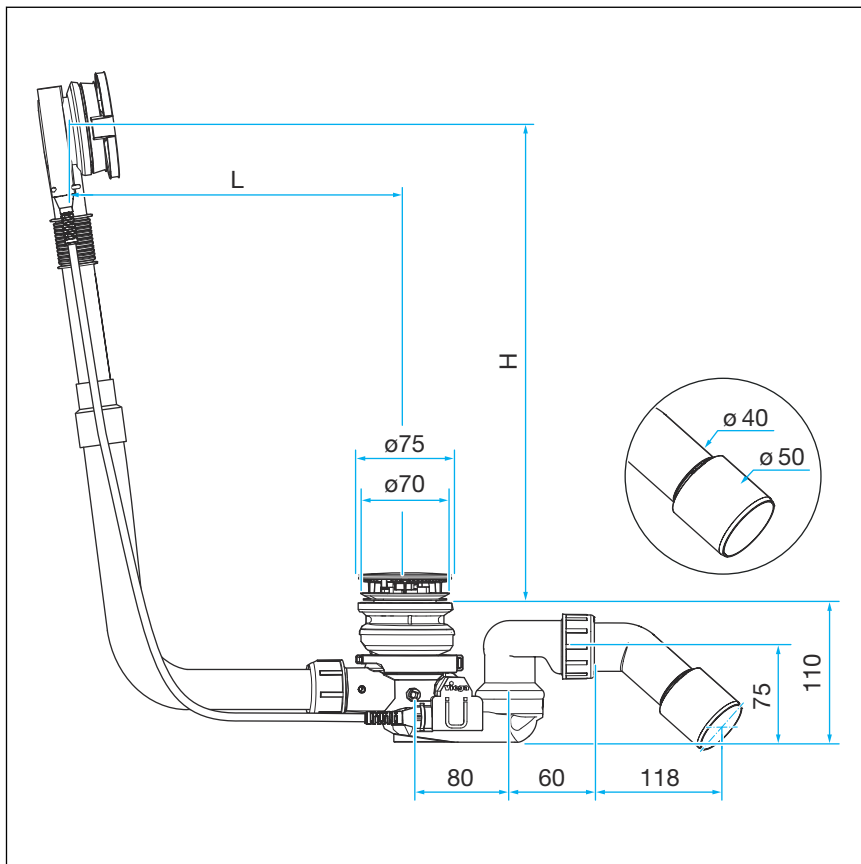


Fig. 3: Dimensional drawing

The following values are valid for L (length) and H (height):

L = 130–370

H = 180–370

### 3.1.3 Required tools and materials

#### Tool

- fine-toothed saw
- mounting aid (included in the scope of delivery)
- Allen key (size 3)

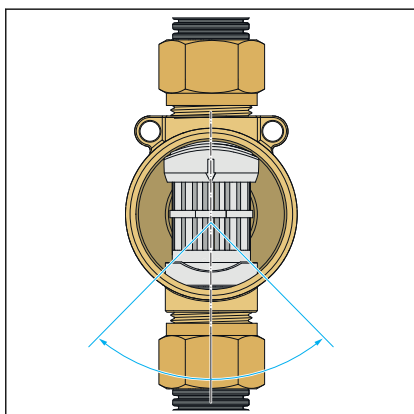
#### Material

No additional material is required for the complete mounting of the product.

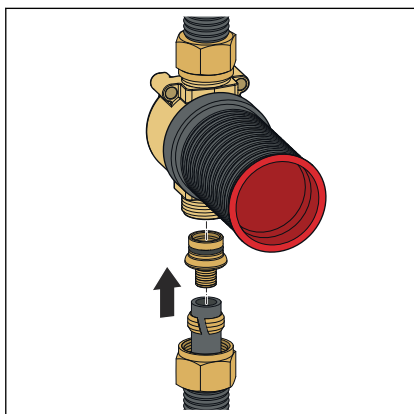
## 3.2 Assembly

### 3.2.1 Connect and mount pipe interrupter

For subsequent installation of the bathtub, the pipe interrupter must be mounted before the work on the walls is completed, as shown in the diagram in [Chapter 3.1.1 'Mounting conditions' on page 8](#). Proceed as follows:



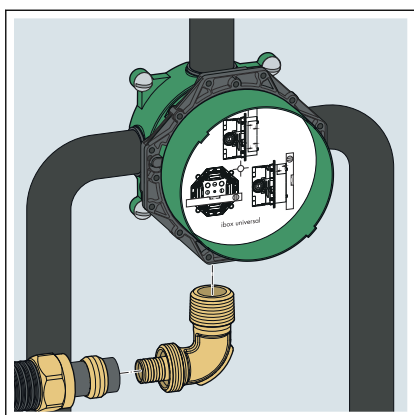
- Note that the flow direction must run from diagonal to vertical downwards.
- Make sure that the line does not continue to rise downstream from the pipe interrupter.
- Make sure that you have the required accessories (rosette, connection sets) to be able to carry out the mounting completely.
- Make sure that the protective plug is still on the top stem during assembly.



**INFO! Mounting with the Viega plug connection is described in the following. Mounting can also be carried out with other connecting materials. If necessary, observe the manufacturer's instructions.**

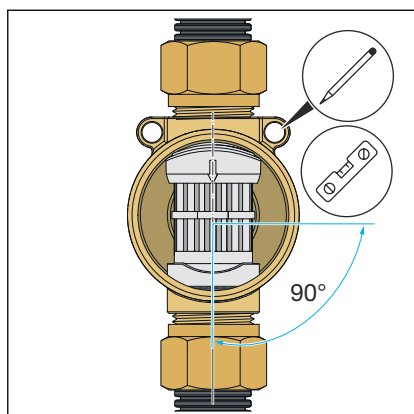
- Push the union nut and the clamping ring onto the water carrying pipe.
- Push the narrow end of the screw fitting into the pipe as far as it will go.
- Push the free end of the screw fitting into the connection of the pipe interrupter.
- Screw the connection together.

**INFO! Euro cone connections are not compatible.**



**INFO! Mounting with the Viega plug connection is described in the following. Mounting can also be carried out with other connecting materials. If necessary, observe the manufacturer's instructions.**

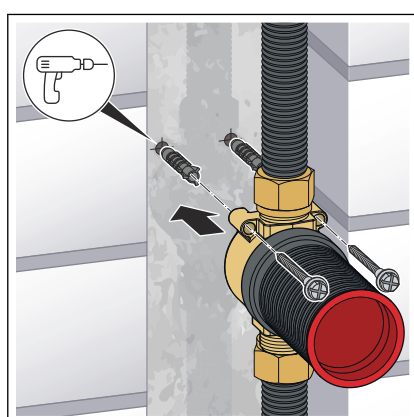
- Seal the adapter elbow and twist it into the connection of the mixer tap.
- Push the union nut and clamping ring onto the pipe.
- Push the pipe onto the support body of the adapter elbow as far as it will go and screw it together with the union nut.
- Lay the free pipe end to the connection point of the bathtub drain and overflow fitting.



- Adjust the pipe interrupter.

**NOTICE!** Pay attention to the correct flow direction (direction of arrow, from top to bottom).

- Mark the drill holes.
- Drill the holes.

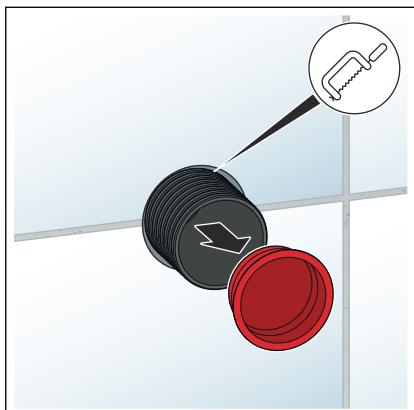


- Screw the pipe interrupter tight with two screws (SW 4.5 up to 5).
- Grout the pipe interrupter and the connection lines.



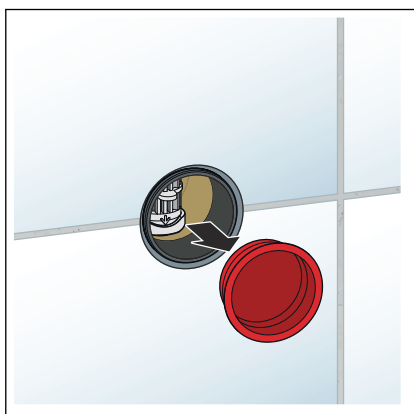
- Integrate the pipe interrupter with mounted sealing collar into the bonded sealing.
- Then tile the wall.

If the shaft top is too long:

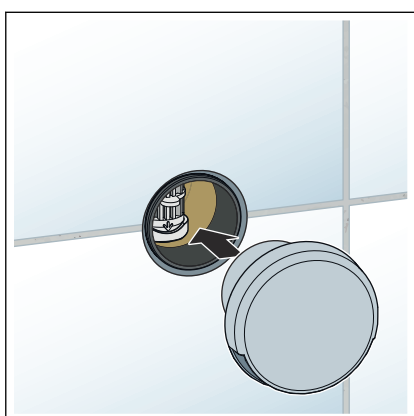


- Remove the protective plugs.
- Shorten the shaft top with a fine-toothed saw. Take care to shorten to the proper length. The shaft top must be flush with the height of the tiles.
- If impurities have managed to enter the shaft top during the work, the clean the shaft top.

If the shaft top has not been shortened and it is ensured that no more contamination can enter the shaft top:



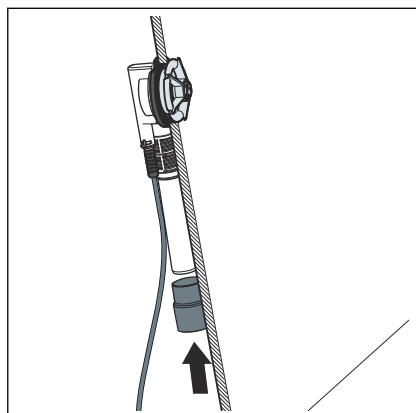
- Remove the protective plug.



- Hold the rosette with the open side facing downwards.
- Mount the rosette on the shaft top.

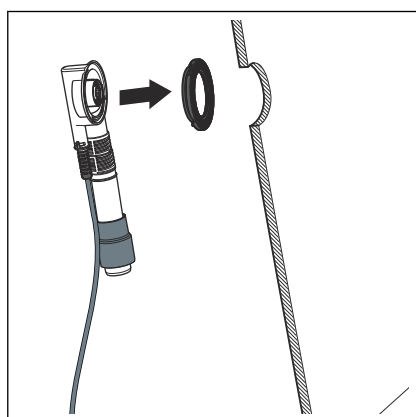
### 3.2.2 Mounting overflow

Proceed as follows to the mounting of the overflow:

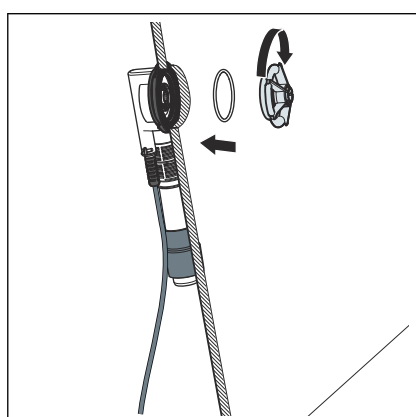


- Push the rubber sleeve onto the pipe of the overflow unit.

The lower edge must be flush with the edge of the overflow pipe.



- Fit the profile seal in the overflow unit.

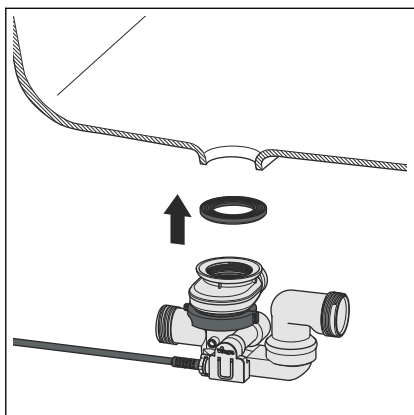


- Place the O-ring in the annular gap of the fixing flange.
- Hold the overflow unit on the overflow opening of the bathtub from the outside.
- Screw the fixing flange into the overflow unit by hand.

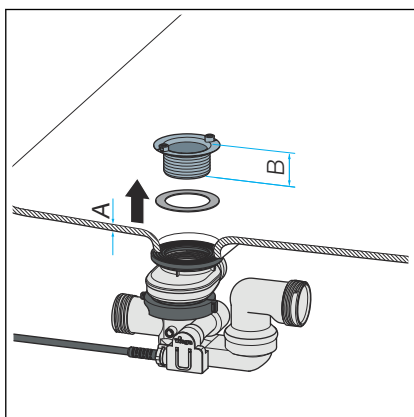
**NOTICE! Pliers or other tools may damage the fixing flange. Only turn the fixing flange by hand.**

### 3.2.3 Mounting the drain

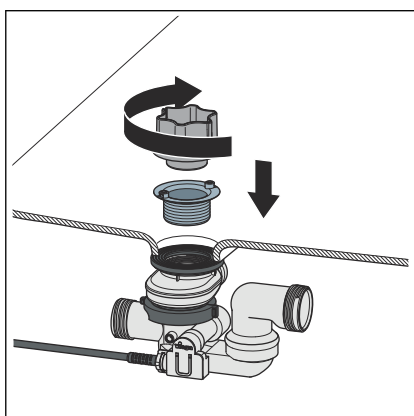
Proceed as follows to mount the drain:



- Place the profile seal in the recess of the drain unit.
- Mount the drain unit with profile seal on the drain hole of the bathtub from below.



- Select a suitable valve top:
  - Use the **B = 22.5 mm high flat** valve top for steel tubs with wall thickness **A = 2–11 mm**.
  - Use the **B = 30 mm high** valve top for plastic tubs with wall thickness **A = 11–16 mm**.
- Apply lubricant to the inside of the seal and place onto the underside of the valve top.



- Install the valve top into the drain unit and screw together with the mounting aid.
  - The mounting aid must be placed on the screw recesses with the holes on the underside.

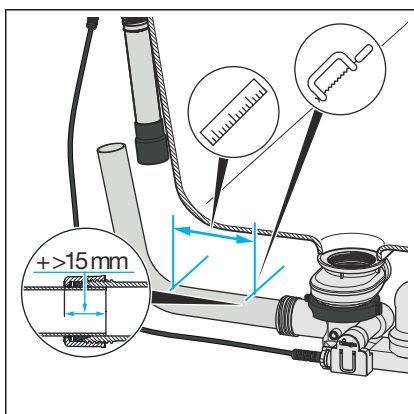
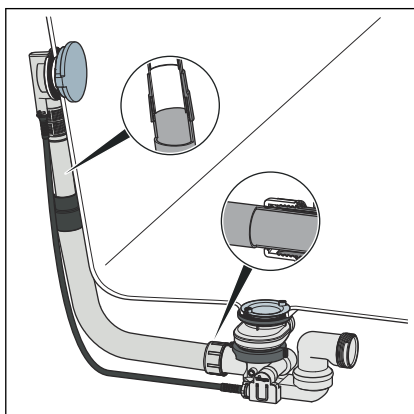
### 3.2.4 Connecting overflow and drain

After the overflow and the drain have been mounted, you must connect them both using the overflow pipe. Proceed as follows:

Requirements:

- The overflow is mounted in the overflow opening.
- The drain is securely mounted on the base of the bathtub.

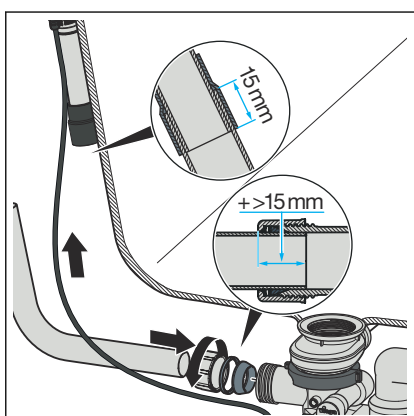
**NOTICE!** Connections where the pipes are not inserted far enough into each other become leaky. For this reason, maintain a minimum insertion depth of 15 mm for every connection.



- Hold the pipe of the overflow unit parallel to the overflow pipe and mark the positions where the drain and the overflow should be connected.

Minimum insertion depth: 15 mm

- Cut the overflow pipe to the marked length and deburr it.



- Push the top end of the overflow pipe into the rubber sleeve.

Minimum insertion depth: 15 mm

- Push the union nut, sliding ring and seal onto the bottom end of the drain elbow.
- Screw the union nut on the drain unit.

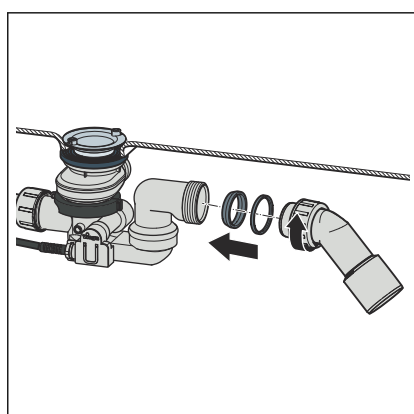
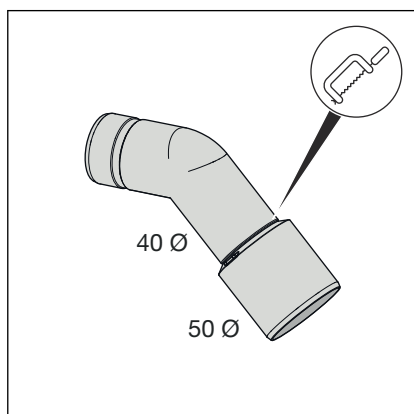


### 3.2.5 Connecting the wastewater system

Proceed as follows to connect the drain/overflow to the wastewater system:

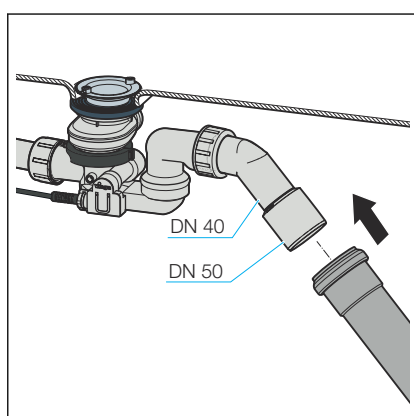
Requirements:

- The overflow and drain units are installed on the bathtub.
- The connection between overflow and drain has been made.
- If the wastewater pipe only has a diameter of 40 mm, cut off drain elbow.



- Push the union nut, sliding ring and seal onto the waste elbow.
- Screw the union nut on the drain unit.

Minimum insertion depth: 15 mm



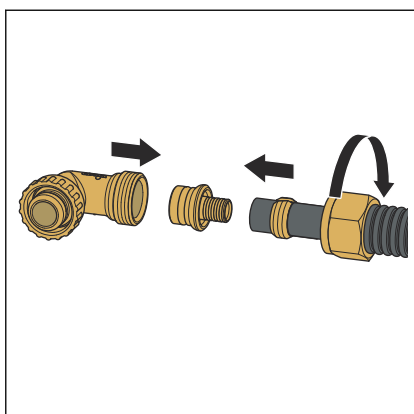
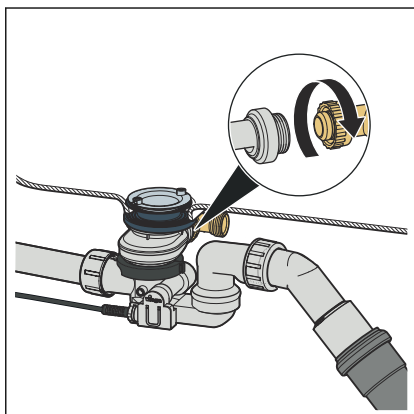
- Turn the drain at the joints until the required position has been reached.
- Push the wastewater pipe in the drain elbow.

### 3.2.6 Connecting the inlet

Proceed as follows to connect the water supply to the drain unit:

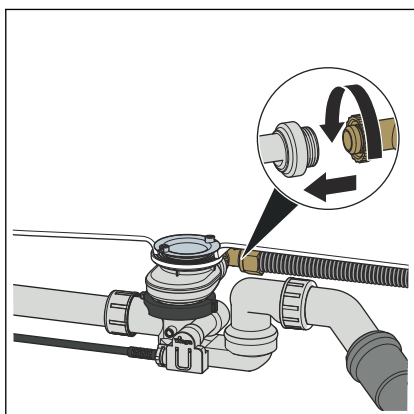
Requirements:

- A connection set (e. g. the pipe interrupter set) is available.
- A pipe interrupter is installed in the supply pipeline.
- The overflow and the drain are mounted.
- The overflow and the drain are connected.
- The connection to the wastewater system has been made.
- Unscrew the union nut of the connection elbow from the drain unit and remove the connection elbow.



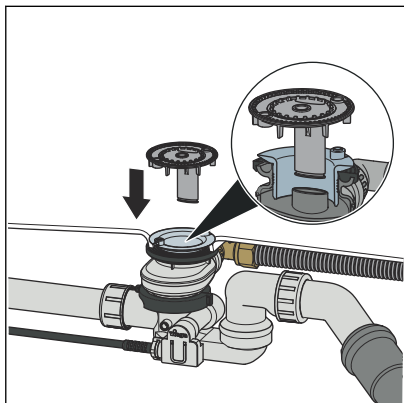
**INFO! Mounting with the Viega plug connection is described in the following. Mounting can also be carried out with other connecting materials. If necessary, observe the manufacturer's instructions.**

- Push the union nut and the clamping ring (parts of the connection set) onto the water-carrying pipe.
- Push the narrow end of the screw fitting (part of the connection set) into the pipe as far as it will go.
- Push the free end of the screw fitting into the connection elbow.
- Use the union nut to screw the pipe tight at the connection elbow.
- Place the connection elbow on the connection of the drain unit and tighten the union nut by hand.



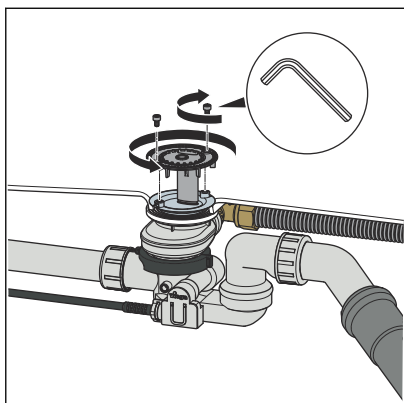
### 3.2.7 Mounting equipment set

To avoid damage to the rosette and drain plug, mount the equipment set only after finishing all other work on the building site. Proceed as follows:

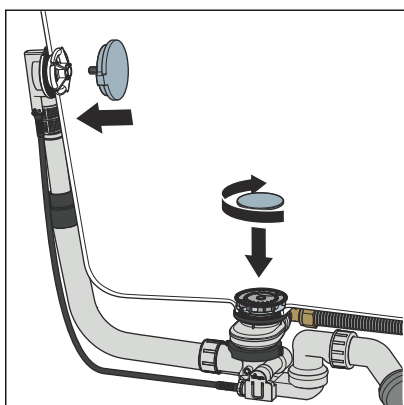


- Fit the inlet element into the drain unit.

Insert the shaft on the side of the inlet element into the recess in the drain unit.



- Turn the external ring of the inlet element in such a way that you can reach the screw heads of the screw-in valve.
- Fit the Allen screws and tighten only gently by hand.

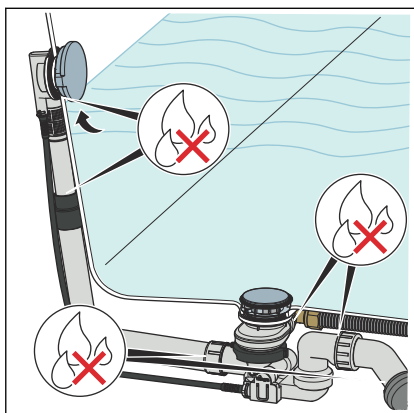


- Screw the cover plate onto the drain by hand.
- Align the overflow rosette and push it in.

### 3.2.8 Leakage test

The leakage test is only carried out as a visual inspection.

- Check for visible leaks.

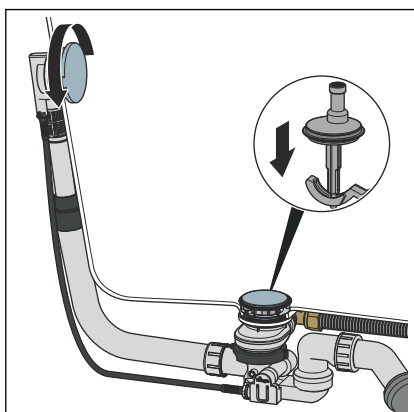


### 3.3 Use

The drain / overflow are controlled via the rotatable rosette on the overflow. Proceed as follows to open or close the drain:

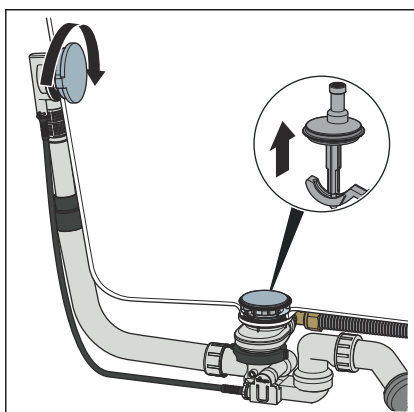
- Turn the rotatable rosette to the left.

- The drain closes itself.



- Turn the rotatable rosette to the right.

- The drain opens itself.



### 3.4 Simple maintenance and cleaning pipe

#### 3.4.1 Care



**NOTICE!**  
**Risk of damage due to unsuitable cleaning agent.**

The following cleaning agents can damage chrome-plated surfaces and therefore may not be used:

- scouring agent
- abrasive sponges
- lime, plaster or cement dissolver
- solvents or other acidic cleaning agents

Use normal soap or a mild cleaning agent for regular care and prevention of lime scale on the rotatable rosette and valve cone. Do not use scouring agent or abrasive objects!

Use household cleaner to remove coarse soiling, also around the drain unit and the odour trap. Rinse the detergent thoroughly with clear water after the prescribed exposure time. There should be no residue on the components.

#### 3.4.2 Cleaning pipe interrupter

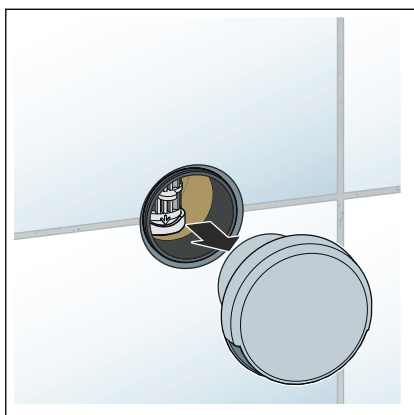
The pipe interrupter must be cleaned regularly, as limescale deposits on the membrane can impair its function. The cleaning interval depends on the local water quality and should be determined during assembly.

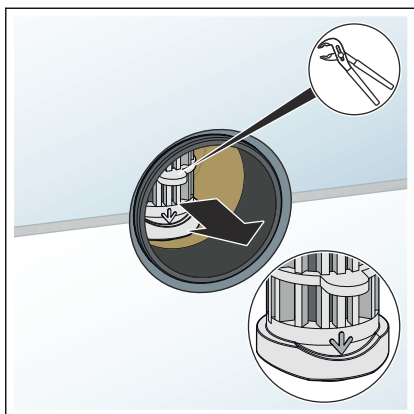


In the event of heavy deposits, the insert and the membrane must be replaced in order to ensure that the pipe interrupter functions properly.

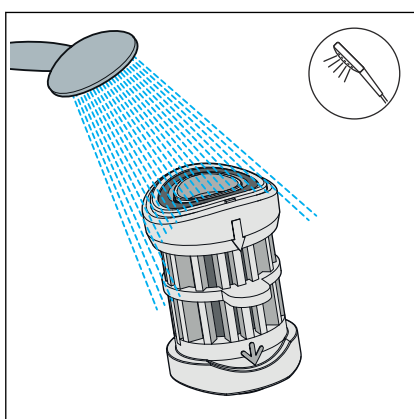
Proceed as follows to clean or replace the insert and membrane:

- Remove rosette.

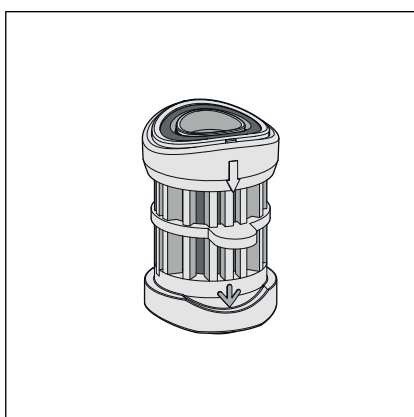




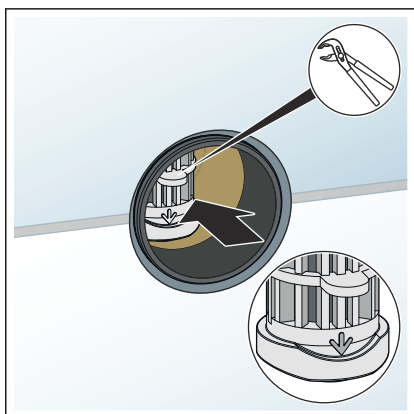
- Pull the insert out of the casing using water pump pliers.



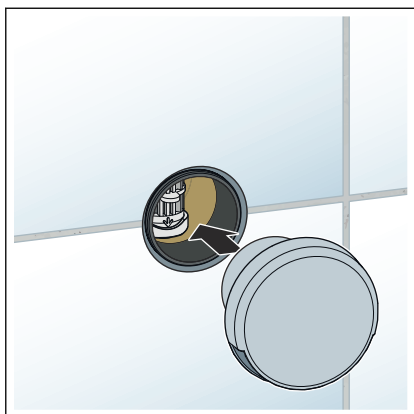
- If only minor limescale deposits and contamination are visible, rinse the insert carefully.



- If heavy limescale deposits and contamination are visible, use a new insert (model 6161.82).



- Fit the insert vertically into the casing of the pipe interrupter from the front using water pump pliers.

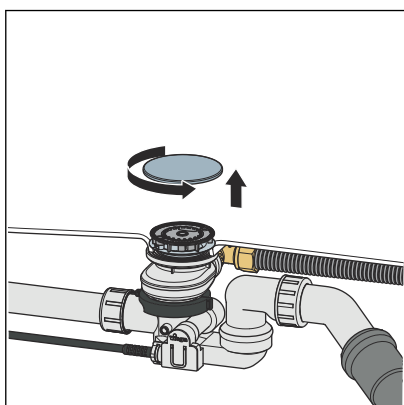


- Insert the rosette into the shaft top.

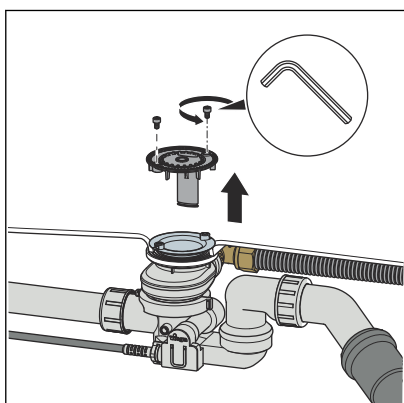
### 3.4.3 Cleaning the drain

The drain should be cleaned at regular intervals. The cleaning interval depends on how often the bathtub installation is used.

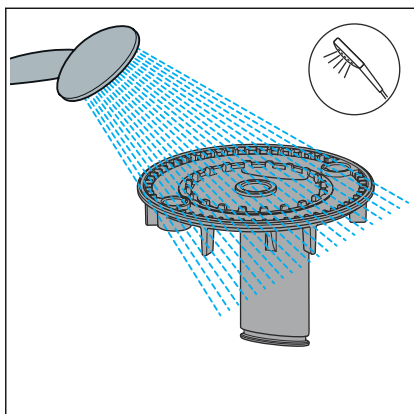
Proceed as follows to clean the drain:



- Unscrew the cover plate by hand.

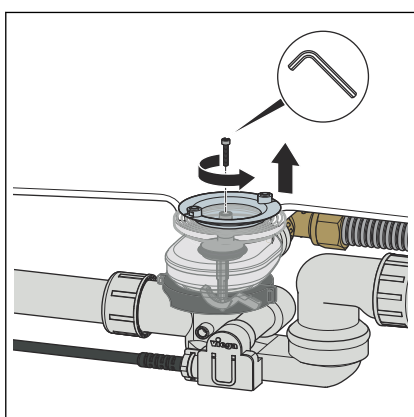


- Loosen the Allen screws of the inlet element using the Allen key (SW 3).
- Remove the inlet element.

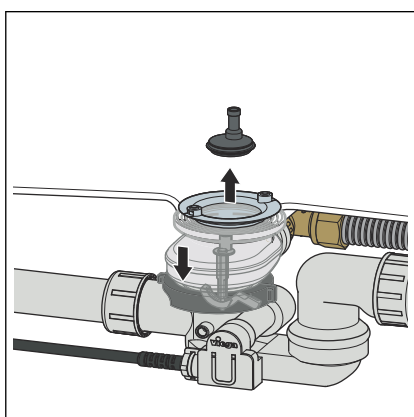


- Clean the inlet element under running water.

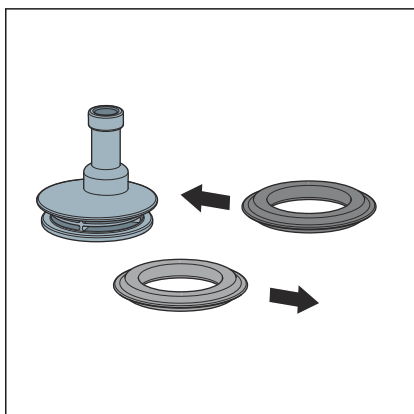
Do not use sharp or pointed objects for cleaning, as these could damage the material.



- Loosen the square-head screw of the drain plug using a square-head key (SW 3).

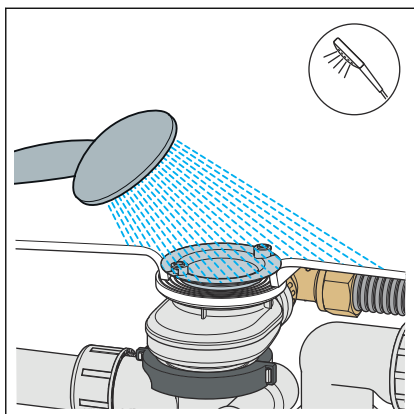


- Close the drain plug with the rotatable rosette and hold it in this position.
- Remove the drain plug.



- If the seal of the drain plug is damaged or heavily calcified, remove the seal.
  - Insert a new seal into the recess in the drain plug.
- Only use original replacement seals from Viega (model 6162-268) that are intended for the drain plug.





► If necessary, clean the drain casing with running water and a mild detergent.

**INFO!** Do not use corrosive cleaners or pipe cleaners, as these can attack the plastic of the drain casing.



Assembly is carried out in the reverse order.

### 3.5 Disposal

Separate the product and packaging materials (e. g. paper, metal, plastic or non-ferrous metals) and dispose of in accordance with valid national legal requirements.



**Viega GmbH & Co. KG**  
service-technik@viega.de  
viega.com

INT • 2024-05 • VPN230472

