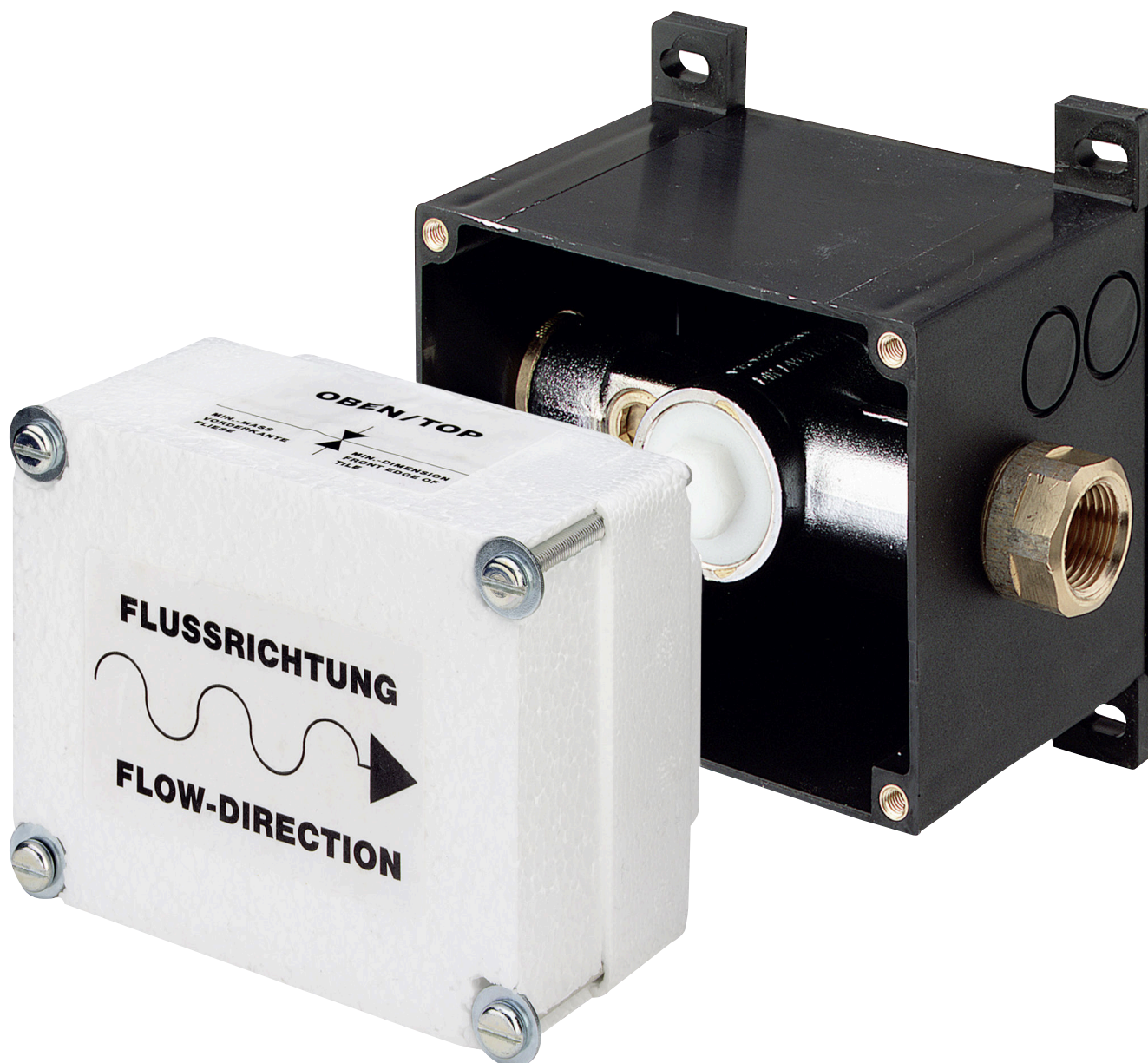


## Instructions for Use

# Viega Mono urinal installation set



for urinal with concealed flushing system, for connection of the Visign equipment set (manual and touchless flush actuation)

Model  
8328

Year built (from)  
03/2001

**viega**

# Table of contents

<b>1</b>	<b>About these instructions for use</b>	<b>3</b>
	1.1 Target groups	3
	1.2 Labelling of notes	3
	1.3 About this translated version	4
<b>2</b>	<b>Product information</b>	<b>5</b>
	2.1 Standards and regulations	5
	2.2 Intended use	5
	2.2.1 Areas of use	5
	2.3 Product description	6
	2.3.1 Overview	6
	2.3.2 Compatible components	7
	2.3.3 Sound protection	8
	2.3.4 Technical data	8
	2.4 Required accessories	8
<b>3</b>	<b>Handling</b>	<b>9</b>
	3.1 Assembly information	9
	3.1.1 Mounting conditions	9
	3.1.2 Installation dimensions	11
	3.1.3 Required tools and materials	11
	3.2 Assembly	12
	3.2.1 Mounting the Viega Mono	12
	3.3 Disposal	16

# 1 About these instructions for use

Trade mark rights exist for this document, further information can be found at [viega.com/legal](http://viega.com/legal).

## 1.1 Target groups

The information in this instruction manual is directed at the following groups of people:

- Heating and sanitary professionals and trained personnel
- Operators

It is not permitted for individuals without the abovementioned training or qualification to mount, install and, if required, maintain this product. This restriction does not extend to possible operating instructions.

The installation of Viega products must take place in accordance with the general rules of engineering and the Viega instructions for use.

This manual must be handed over to the operator or user after the assembly and commissioning of the product.

## 1.2 Labelling of notes

Warning and advisory texts are set aside from the remainder of the text and are labelled with the relevant pictographs.



### **DANGER!**

This symbol warns against possible life-threatening injury.



### **WARNING!**

This symbol warns against possible serious injury.



### **CAUTION!**

This symbol warns against possible injury.



### **NOTICE!**

This symbol warns against possible damage to property.



Notes give you additional helpful tips.

### 1.3 About this translated version

This instruction for use contains important information about the choice of product or system, assembly and commissioning as well as intended use and, if required, maintenance measures. The information about the products, their properties and application technology are based on the current standards in Europe (e. g. EN) and/or in Germany (e. g. DIN/DVGW).

Some passages in the text may refer to technical codes in Europe/Germany. These should serve as recommendations in the absence of corresponding national regulations. The relevant national laws, standards, regulations, directives and other technical provisions take priority over the German/European directives specified in this manual: The information herein is not binding for other countries and regions; as said above, they should be understood as a recommendation.

## 2 Product information

### 2.1 Standards and regulations

The following standards and regulations apply to Germany / Europe. National regulations can be found on the relevant web site of your country at [viega.com/standards](http://viega.com/standards).

#### Regulations from section: Sound protection

Scope / Notice	Regulations applicable in Germany
Fulfilled noise protection requirements	DIN 4109
Fulfilled noise protection requirements	DIN 4109 (additional sheet 2)
Fulfilled noise protection requirements	VDI 4100 SSt I-SSt II

#### Regulations from section: Technical data

Scope / Notice	Regulations applicable in Germany
Flush flow	DIN 3265
Noise class	DIN 4109

#### Regulations from section: Mounting Viega Mono

Scope / Notice	Regulations applicable in Germany
Electrical installation	VDE 0100

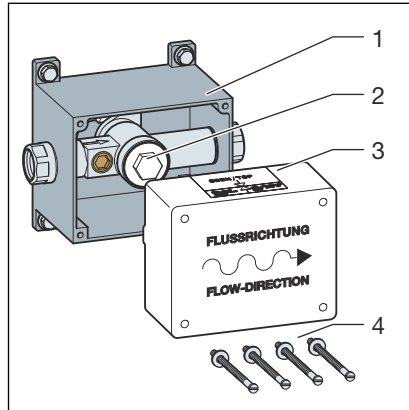
### 2.2 Intended use

#### 2.2.1 Areas of use

The Viega Mono urinal installation set is a universal compact-design shell casing for urinals with concealed flushing systems. For complete mounting, you need to purchase an additional Visign equipment set to allow for a manual or touchless flush actuation.

## 2.3 Product description

### 2.3.1 Overview



**Fig. 1: Components**

- 1 Plastic installation box
- 2 Flush-through plug
- 3 Cleaning cover
- 4 screws

## 2.3.2 Compatible components

### Compatible flush plates

The Viega Mono urinal installation set can be supplemented with the following equipment sets:

Product	Name	Model
Visign for Life 1	Equipment set Visign for Life 1	8128.7
	Equipment set Visign for Life 1	8128.46
Visign for Style	Equipment set Visign for Style 10	8315.2
	Equipment set Visign for Style 11	8331.2
	Equipment set Visign for Style 12	8332.2
	Equipment set Visign for Style 13	8333.2
Visign for More	Equipment set Visign for Style 14	8334.2
	Equipment set Visign for More 100	8351.2
	Remote actuation Visign for More 100	8351.65
	Equipment set Visign for More 102	8353.2
	Equipment set Visign for More 103	8355.2
	Remote actuation Visign for More 103	8355.65
Visign for Public	Equipment set Visign for More 104	8354.2
	Equipment set Visign for Public	8326.2
	Remote actuation Visign for Public	8326.55
	Remote actuation Visign for Public	8326.65
	Cover plate Visign for Public	8326.7

For more details on the respective versions, see the 'Practice manual'.

### 2.3.3 Sound protection

For details on standard requirements see ↗ *'Regulations from section: Sound protection'* on page 5.

### 2.3.4 Technical data

The product has the following technical data:

Operating voltage	230 V / 50 Hz (infrared 230 V)
Magnetic coil	6 V
Flow pressure	0.05–0.5 MPa (0.5–5 bar)
Calculated flow	0.3 l/s
Flush flow, see ↗ <i>'Regulations from section: Technical data'</i> on page 5	0.3–0.7 l/s
Noise class, see ↗ <i>'Regulations from section: Technical data'</i> on page 5	2

## 2.4 Required accessories

### Plug-in piece

You require the plug-in piece model 8019.21 and the seal 8019.22 to be able to connect the Viega Mono urinal installation set onto the supply side.



## 3 Handling

### 3.1 Assembly information

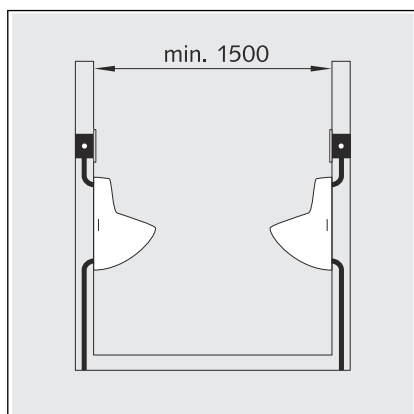
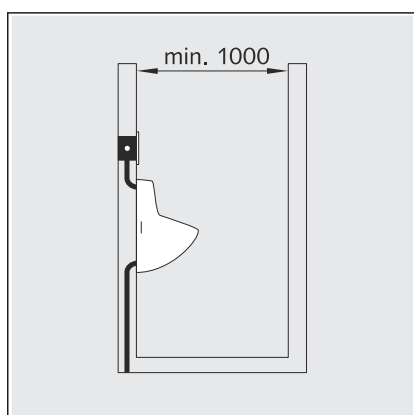
#### 3.1.1 Mounting conditions

##### Minimum distances for infrared actuation

To enable the fault-free function of the infrared sensor, maintain the following minimum distances:

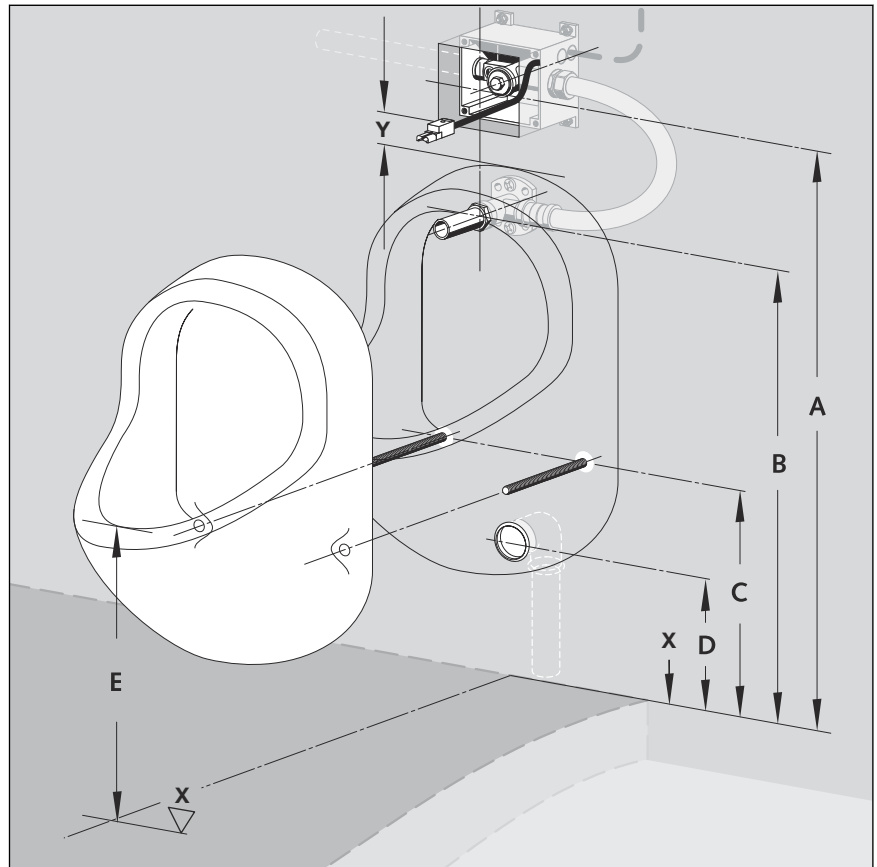
Maintain a minimum distance of 1000 mm to the opposite walls.

If high-gloss wall claddings (polished tiles, mirrors, etc.) are situated opposite, increase the minimum distance to 1500 mm.



Maintain a minimum distance of 1500 mm to urinals situated opposite with infrared sensors.

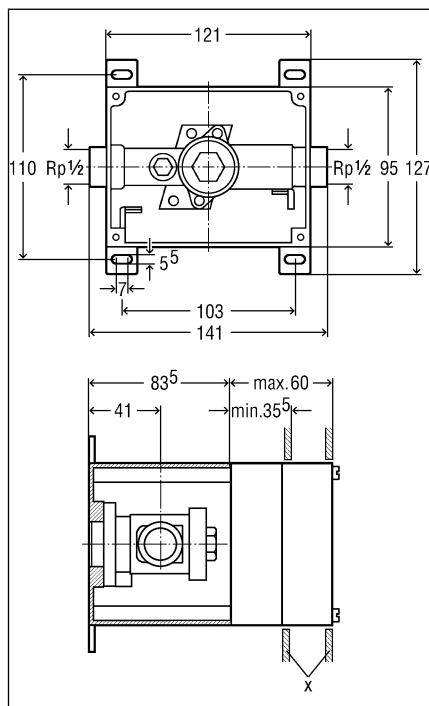
## Installation dimensions



**Fig. 2: Installation dimensions**

- A in accordance with manufacturer's documentation urinal ceramic
- B in accordance with manufacturer's documentation urinal ceramic
- C in accordance with manufacturer's documentation urinal ceramic
- D in accordance with manufacturer's documentation urinal ceramic
- E in accordance with manufacturer's documentation urinal ceramic
- X upper edge of the finished floor
- Y min. 40 mm

### 3.1.2 Installation dimensions



**Fig. 3: Dimensional drawing**

X - Wall tile

### 3.1.3 Required tools and materials

#### Required tools

The following tools are required for mounting:

- Drill with 10 mm drill bit
- Fork or ring spanner, size 13 and size 17
- screwdriver
- Spirit level

#### Required material

The following tools, which are not comprised in the scope of delivery, are required for mounting:

- Material for bricking in the installation set

## 3.2 Assembly

### 3.2.1 Mounting the Viega Mono



#### **DANGER!** **Danger due to electrical current**

An electric shock can lead to burns and serious injury and even death.

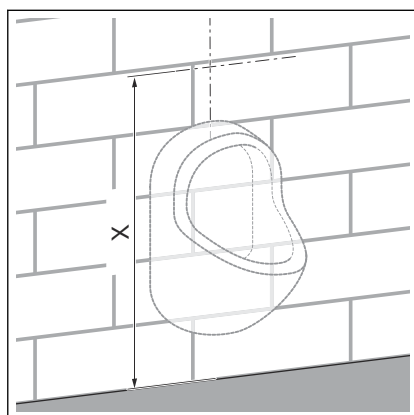
- Only allow electrical work to be carried out by qualified electricians.
- Always de-energise the connection cable before work is commenced.

## Mounting the Viega Mono urinal installation set



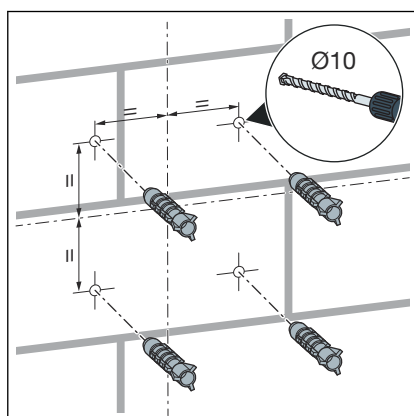
### Infrared electronic 230 V:

A cable length of at least 40 mm in the casing is required for the subsequent mounting of the mains plug.

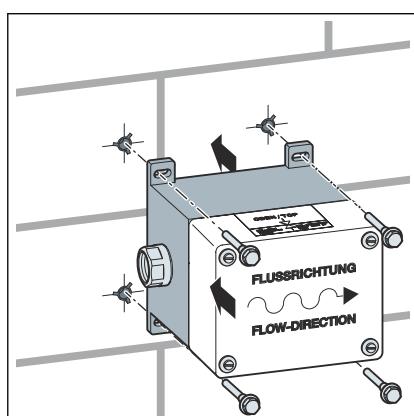


- Determine construction height in accordance with the on-site marking of the upper edge of the finished floor.

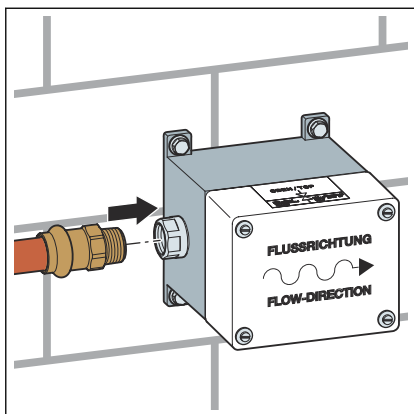
x = Observe the instructions of the urinal manufacturer.



- Determine and mark the fixing points.
- Drill the holes and insert the dowels.

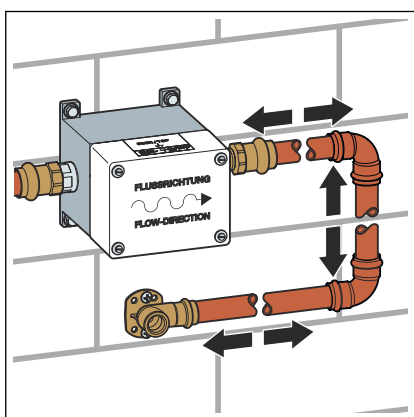


- Attach the Viega Mono urinal installation set onto the wall on-site.

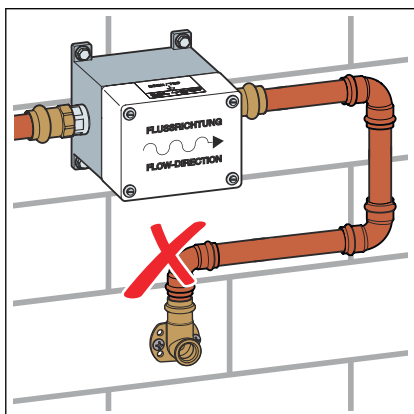


- Connect the water pipeline to the inlet of the Viega Mono urinal installation set.

### Mounting with press connectors

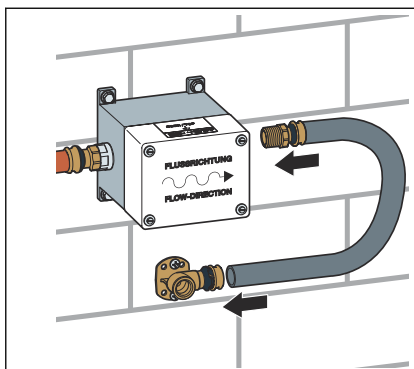


- Install water pipeline from the Viega Mono urinal installation set up to the sanitary object.



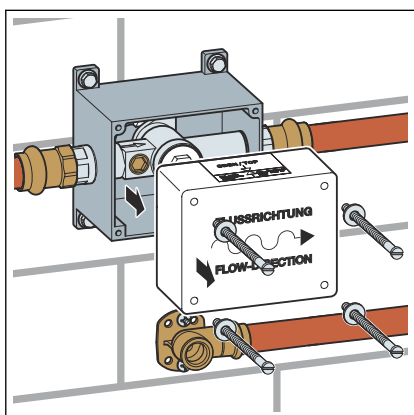
To ensure sufficient water pressure, use a maximum of two press connectors for connection to the sanitary object.

### Mounting with pipe elbow (optional)

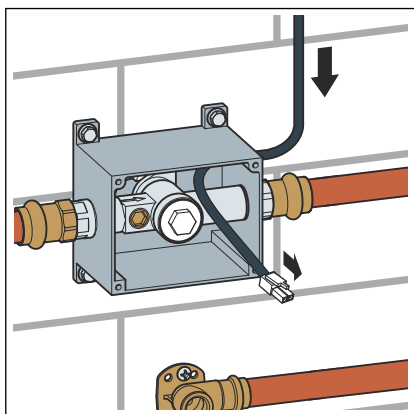


- Install the water pipeline as a pipe elbow from the Viega Mono urinal installation set to the sanitary object.

**INFO!** The following mounting steps are the same when mounting with press connectors and mounting with pipe elbow. Mounting with press connectors is shown in the illustrations.

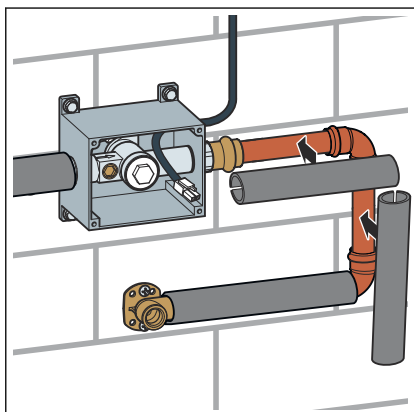


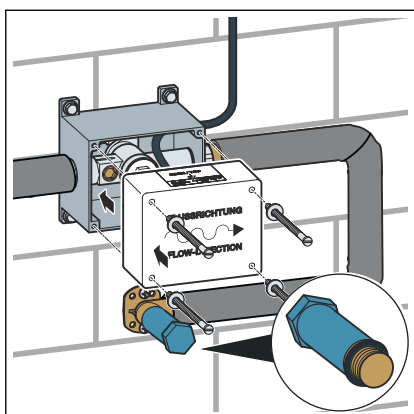
- Remove cleaning cover.



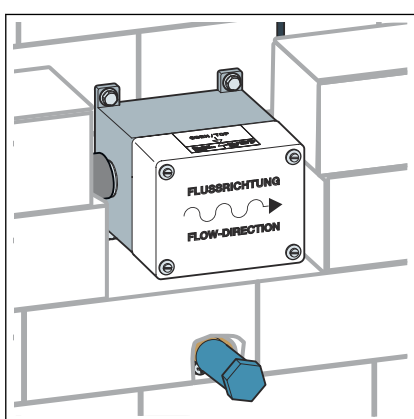
**DANGER!** Danger due to electrical current An electric shock can lead to burns and serious injury and even death.

- Only allow electrical work to be carried out by qualified electricians.
- Always de-energise the connection line before work is commenced.
- Perform electrical installations as per the national valid regulations ↪ *'Regulations from section: Mounting Viega Mono' on page 5.*
- Hand over this manual to the operator after the mounting and commissioning of the product.
- For infrared actuation, lay the electrical cable in the Viega Mono urinal installation set.
- Insulate the pipe.

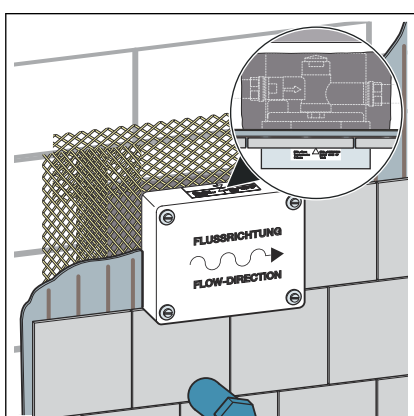




- Replace the cleaning cover and tighten the screws.
- Screw in the seal plug.



- Wall in the installation set.



**INFO! Observe maximum plaster thickness. Observe maximum plaster depth marking on the cleaning cover.**

- Plaster the installation set and tile to the lid.

### 3.3 Disposal

Separate the product and packaging materials (e. g. paper, metal, plastic or non-ferrous metals) and dispose of in accordance with valid national legal requirements.





**Viega GmbH & Co. KG**  
service-technik@viega.de  
viega.com

INT • 2022-08 • VPN170239

