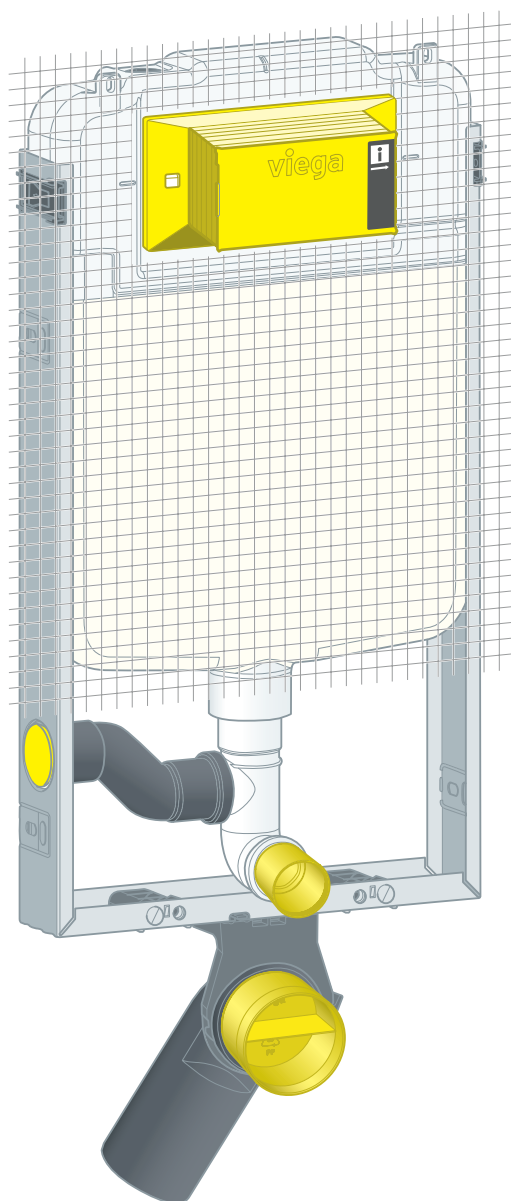


Instructions for Use

Prevista Pure WC block for wall-mounted WC, with ventilator connection



for WC flush plates for Prevista, walling in and around

Model
8513.31

Year built (from)
01/2020

viega

Table of contents

1	About these instructions for use	3
	1.1 Target groups	3
	1.2 Labelling of notes	3
	1.3 About this translated version	4
2	Product information	5
	2.1 Intended use	5
	2.1.1 Areas of application	5
	2.2 Product description	5
	2.2.1 Overview	5
	2.2.2 Compatible components	6
	2.2.3 Technical data	6
	2.3 Accessories	6
3	Handling	7
	3.1 Assembly information	7
	3.1.1 Installation dimensions	7
	3.2 Assembly	8
	3.2.1 Preparing the ventilator connection	8
	3.2.2 Mounting the WC block	8
	3.2.3 Connecting concealed cistern	10
	3.2.4 Mounting the drain elbow	14
	3.2.5 Setting up and bricking in the WC block	15
	3.2.6 Setting the flush volume	16
	3.3 Cleaning and maintenance	21
	3.4 Disposal	21

1 About these instructions for use

Trade mark rights exist for this document; for further information, go to viega.com/legal.

1.1 Target groups

The information in this instruction manual is directed at the following groups of people:

- Heating and plumbing experts and trained personnel
- Drywall builders

Individuals without the abovementioned training or qualification are not permitted to mount, install and, if required, maintain this product. This restriction does not extend to possible operating instructions.

The installation of Viega products must take place in accordance with the general rules of engineering and the Viega instructions for use.

1.2 Labelling of notes

Warning and advisory texts are set aside from the remainder of the text and are labelled with the relevant pictographs.



DANGER!

This symbol warns of possible life-threatening injury.



WARNING!

This symbol warns of possible serious injury.



CAUTION!

This symbol warns of possible injury.



NOTICE!

This symbol warns of possible damage to property.



This symbol gives additional information and hints.

1.3 About this translated version

This instruction for use contains important information about the choice of product or system, assembly and commissioning as well as intended use and, if required, maintenance measures. The information about the products, their properties and application technology are based on the current standards in Europe (e.g. EN) and/or in Germany (e.g. DIN/DVGW).

Some passages in the text may refer to technical codes in Europe/Germany. These should serve as recommendations in the absence of corresponding national regulations. The relevant national laws, standards, regulations, directives and other technical provisions take priority over the German/European directives specified in this manual: The information herein is not binding for other countries and regions; as said above, they should be understood as a recommendation.

2 Product information

2.1 Intended use

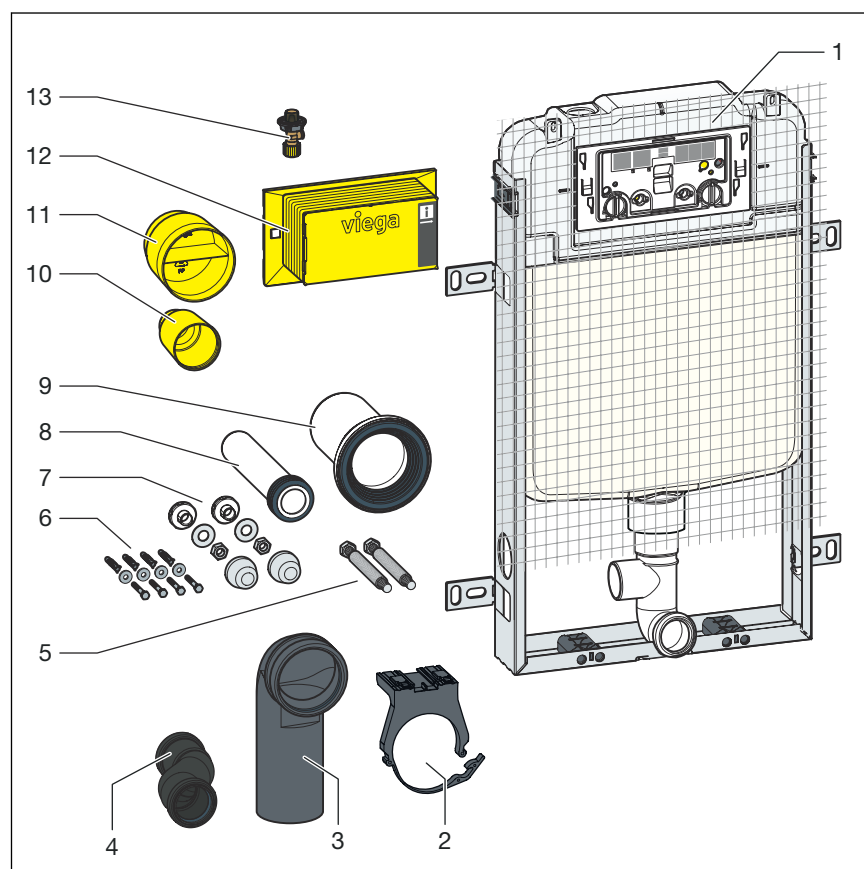
2.1.1 Areas of application

The Prevista Pure WC block is suitable for walling in and around, for single mounting, for line mounting, wall mounting, and stand-alone mounting.

This model is equipped with dual flush technology. The Prevista Pure WC block can generally be used with all types of WC ceramic.

2.2 Product description

2.2.1 Overview



- 1 Concealed cistern
- 2 Holder for drain elbow
- 3 Waste elbow
- 4 Threaded rods for fixing sanitary objects (gauges for bore hole 180 or 230 mm)
- 5 Screws for fixing in stud frame

- 6 Mounting set for WC ceramic
- 7 Flushing pipe
- 8 WC connection socket with lip seal
- 9 Protective plug for flushing pipe elbow
- 10 Inspection shaft cover
- 11 Corner valve

2.2.2 Compatible components

The WC element is compatible with all common WC ceramics, even with larger projection (barrier-free).

The WC element can be extended by the following compatible components:

- Accessory set electronic model 8655.11

- Mount the components in accordance with the respective instructions for use.

2.2.3 Technical data

Flush volume

Small flush volume	Factory setting	Approx. 3 l
	Setting range	Approx. 3–4 l
Large flush volume	Factory setting	Approx. 6 l
	Setting range	Approx. 4.5–7.5 l

Water pressure

Water pressure min.	15 kPa (0.15 bar)
Water pressure max.	1000 kPa (10 bar)

Installation depth

Installation depth max.	100 mm
Installation depth min.	80 mm

2.3 Accessories

Standing bracket for stand-alone mounting

You require the Prevista Pure standing bracket model 8570.54 to enable the stand-alone mounting of the Prevista Pure WC block.

3 Handling

3.1 Assembly information

3.1.1 Installation dimensions

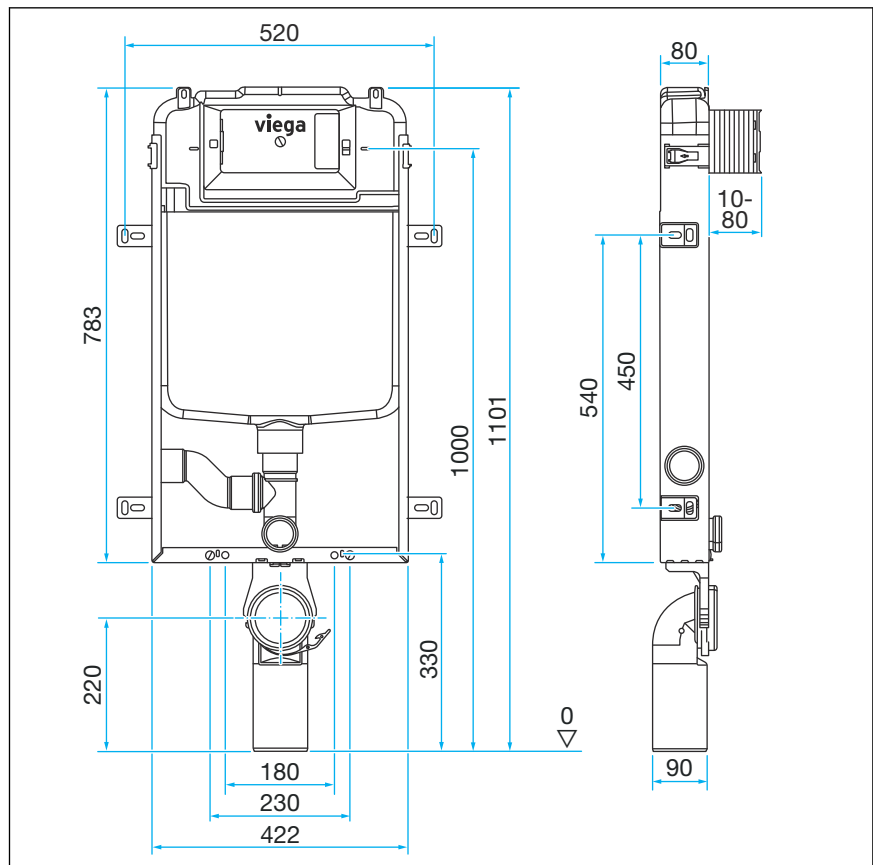
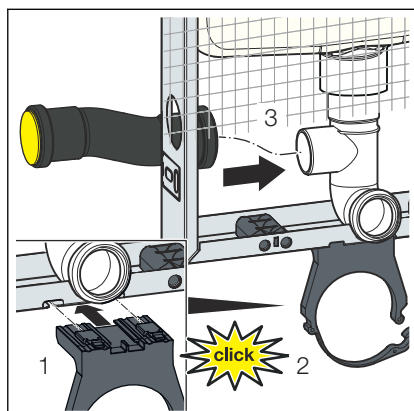


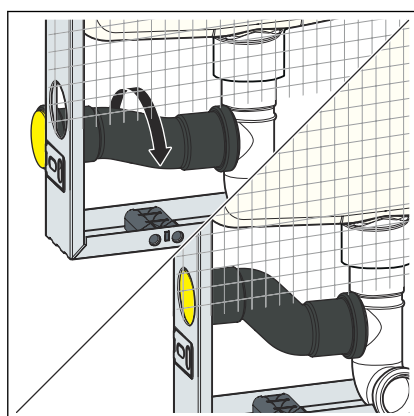
Fig. 1: Dimensional drawing

3.2 Assembly

3.2.1 Preparing the ventilator connection

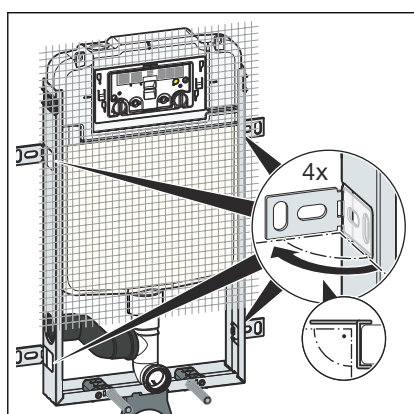


- Push in the mounting bracket until it locks into place.
- Plug the ventilator connection onto the side connection of the flushing pipe elbow.

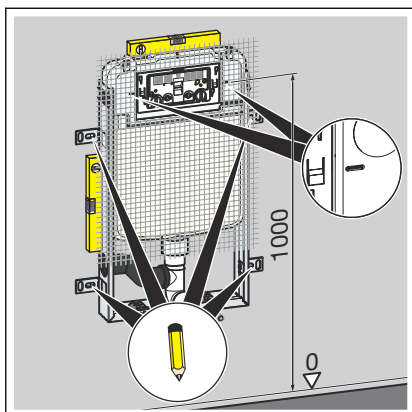


- Turn the ventilator connection clockwise.
- ☐ The ventilator connection is fixed.

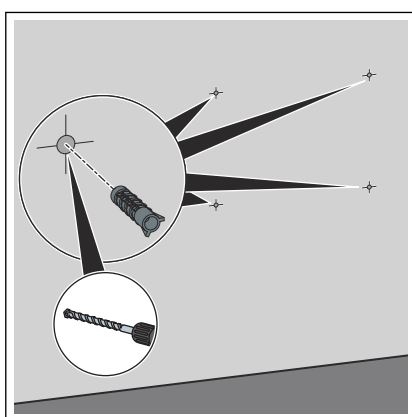
3.2.2 Mounting the WC block



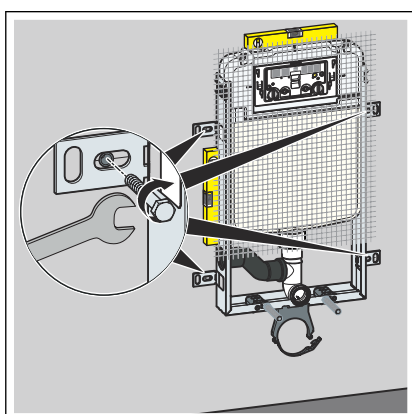
- Fold out the wall brackets.



- Adjust the construction height of the WC block in accordance with the on-site marking of the upper edge of the finished floor.
- Mark the fixing points.

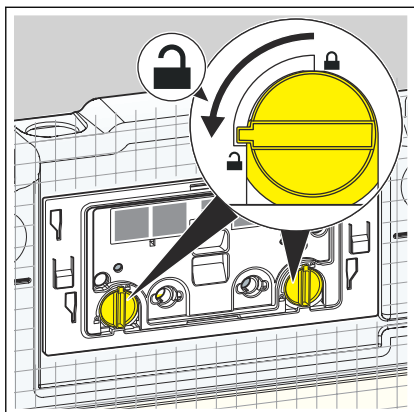


- Drill the holes.
- Insert the dowels.

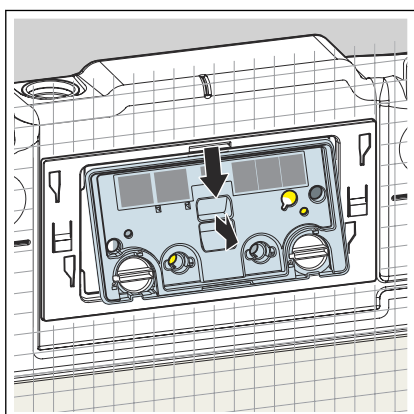


- Tighten the WC block via the mounting brackets using a fork spanner.
- The WC block is attached to the wall.

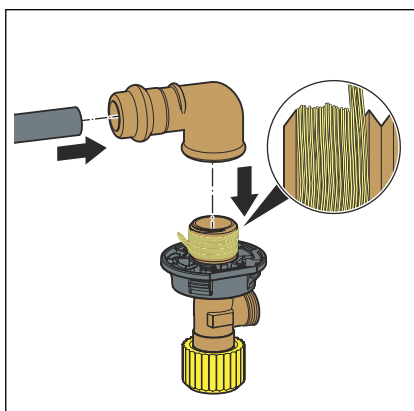
3.2.3 Connecting concealed cistern



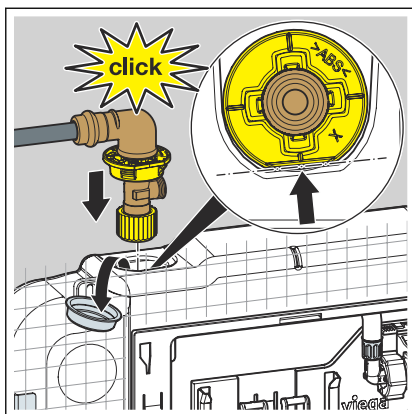
- Turn the site protection panel lock 90° anti-clockwise.



- Remove the site protection panel.

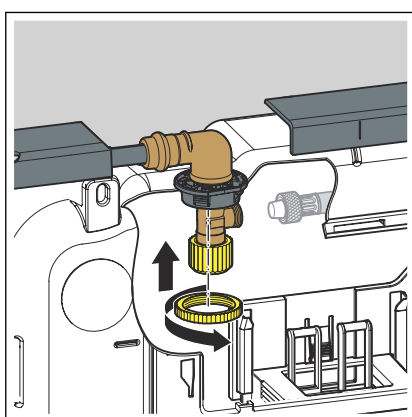


- Place the press connector onto the water inlet.
- Press the connection.
- Seal the threaded connectors of the corner valve.
- Screw the corner valve into the thread side of the press connector.

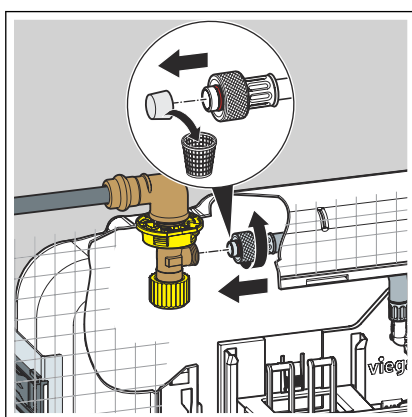


- Remove the plug.
- Insert the corner valve into the cistern.

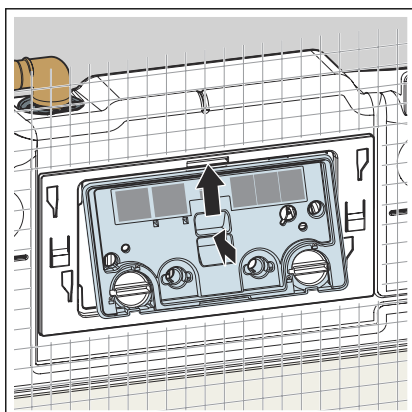
INFO! Observe the proper fit of the corner valve.



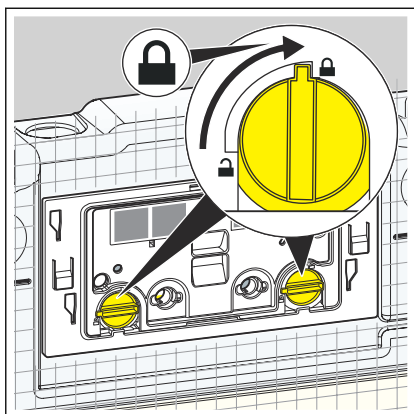
- Use the lock nut to screw the corner valve and the cistern to each other.



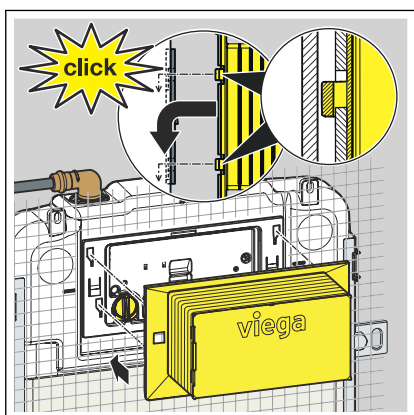
- Remove the protective cap from the flexible hose.
- Screw the flexible hose and the corner valve to each other.



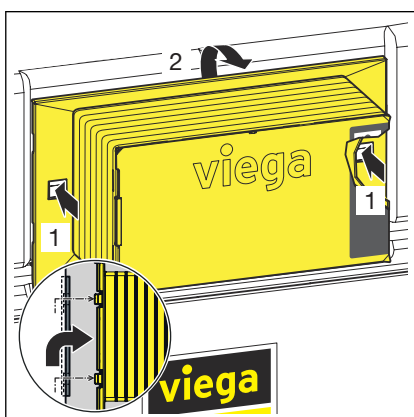
- Insert the site protection panel into the cistern.



► Turn the site protection panel's lock by 90° clockwise.

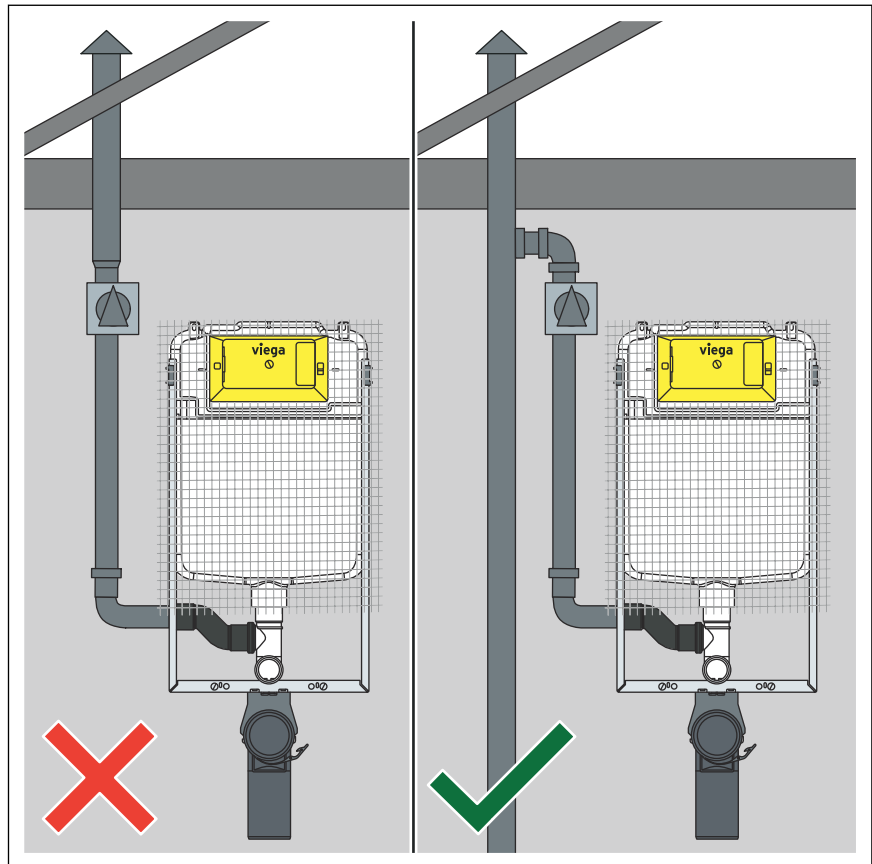


► Place the inspection shaft on the site protection panel.



To remove the inspection shaft, press in the fixing clips at the side.

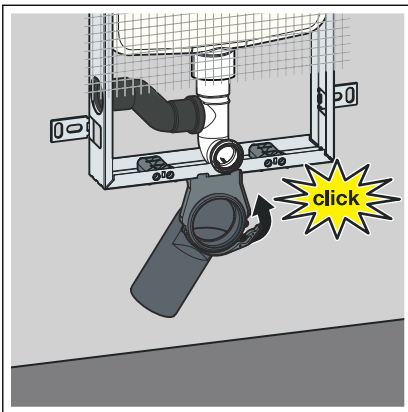
Ventilator connection



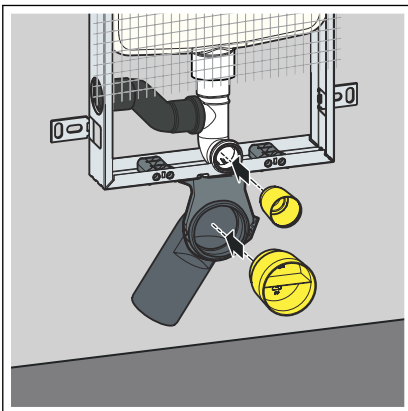
- Left: Incorrect connection to the room ventilator.
- Right: Correct connection of the flush pipe to the room ventilator.

NOTICE! The pipe must remain water tight up to 100 mm above the cistern! A direct connection with folded spiral-seam or aluflex pipe is not permitted.

3.2.4 Mounting the drain elbow

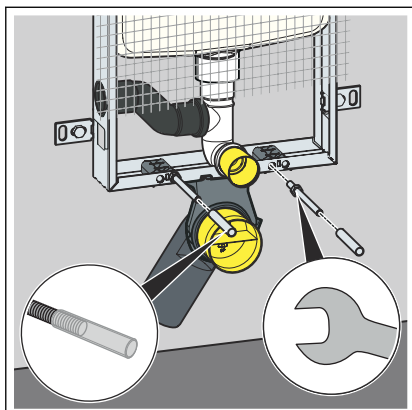


- Insert the drain elbow.
- Fasten the drain elbow using the bow.

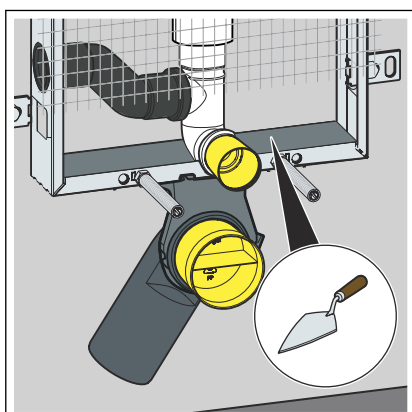


- Attach the protective plug of the flushing pipe elbow.
- Put the protective plug of the drain elbow on.

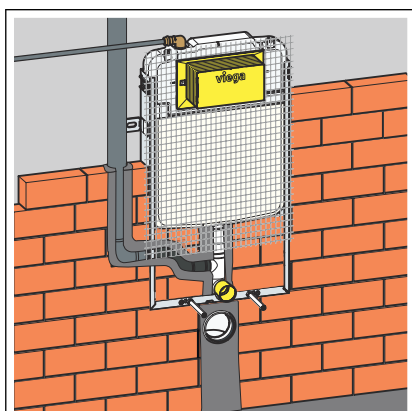
3.2.5 Setting up and bricking in the WC block



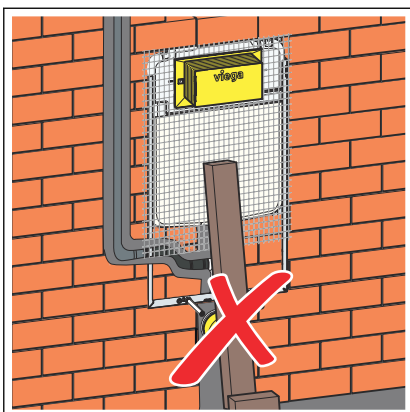
- Turn in the threaded rods by hand.
Counter the threaded rods in front of the element with a nut.
- Place the protective caps on the threaded rods.



- Fill in the empty space below the cistern.



- Brick in the WC block.
- The tiling format must be at least 10 mm.



INFO! Do not load the WC block.

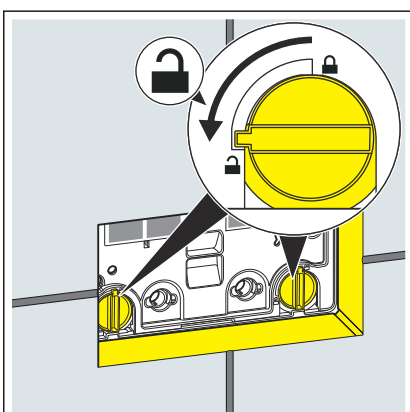


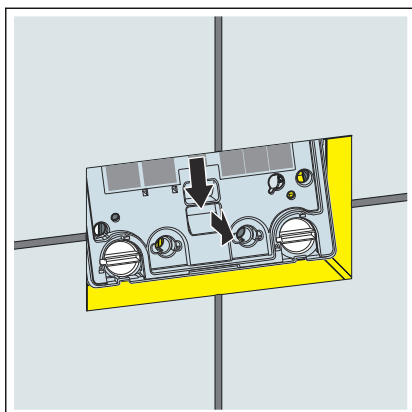
► Tile the WC block.

3.2.6 Setting the flush volume

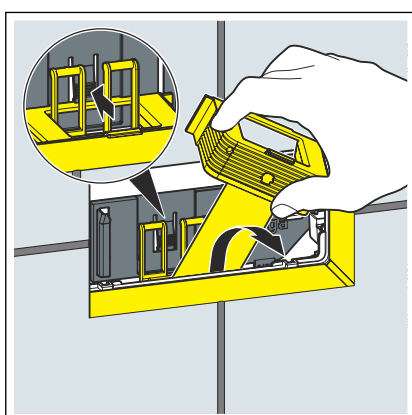
Requirements:

- The cistern is freely accessible.
- The water supply has been shut off.
- The ceramic has been mounted.
- Turn the site protection panel lock 90° anti-clockwise.



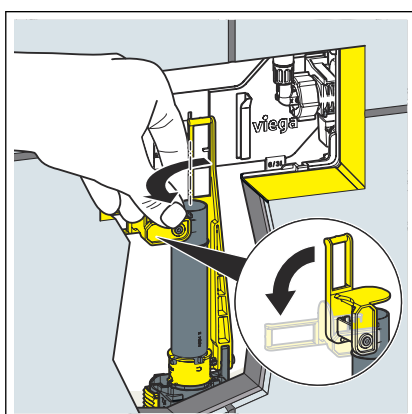


➤ Remove the site protection panel.

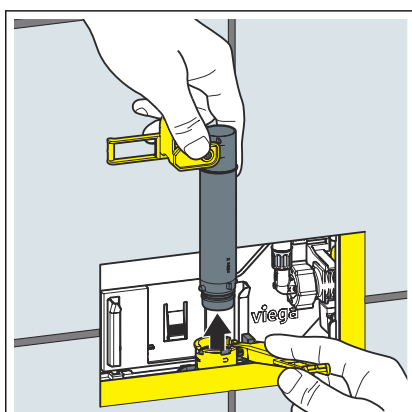


➤ Push the clip backwards.

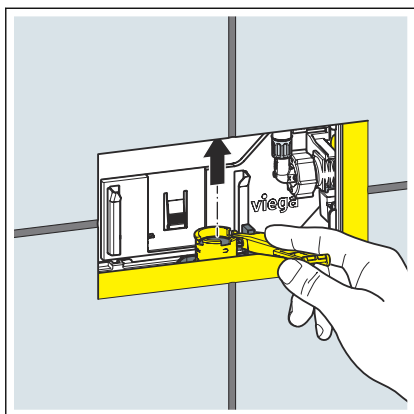
➤ Remove the spacer through the revision opening.



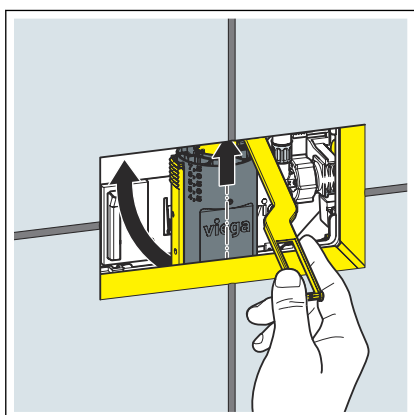
➤ Fold the tab to the side.



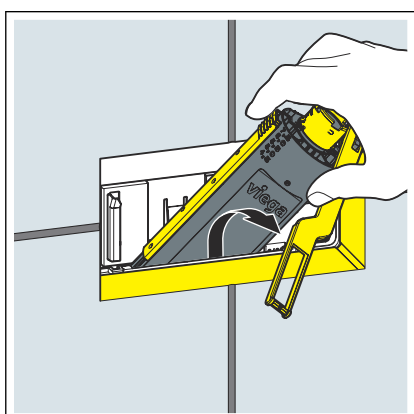
➤ Remove the overflow pipe through the revision opening.



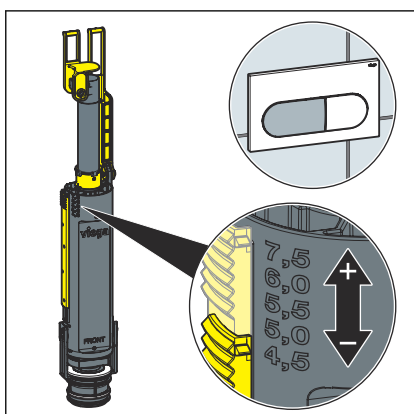
► Pull the drain valve upwards on the tab.



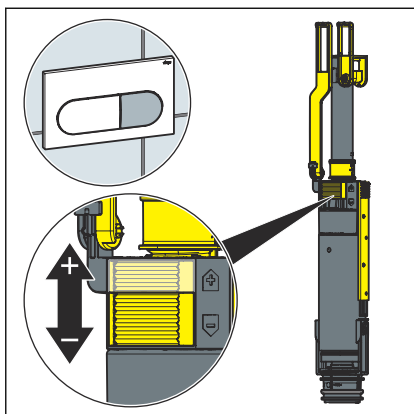
► Lift the drain valve.



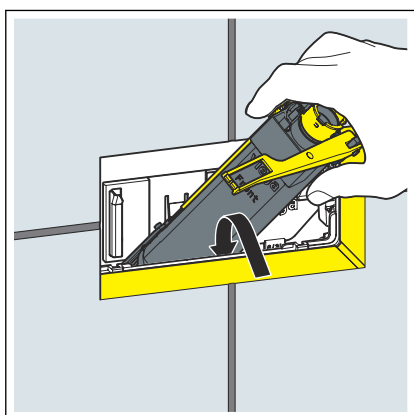
► Remove the drain valve through the revision opening.



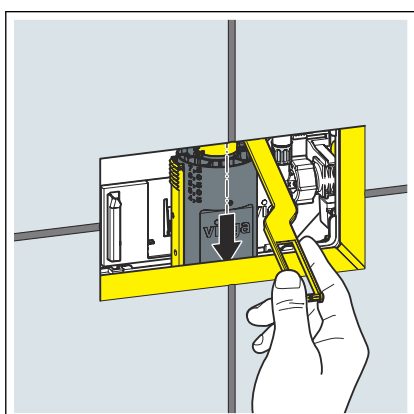
► Set the large flush volume at the drain valve.



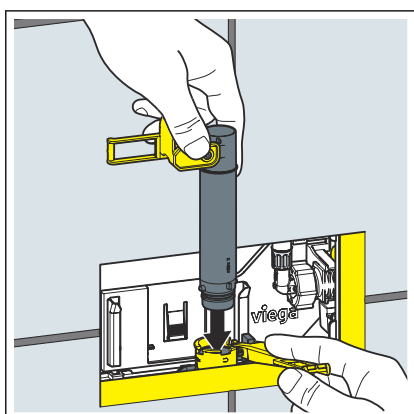
► Set the small flush volume at the drain valve.



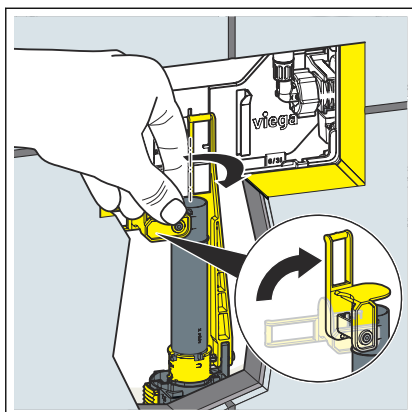
► Insert the drain valve.



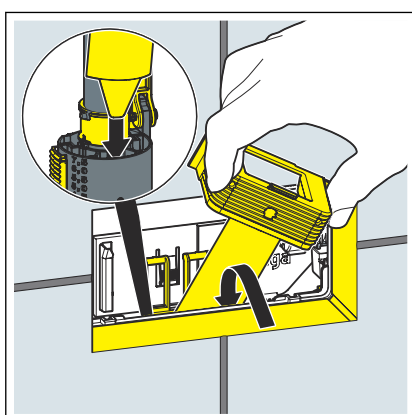
► Pull the drain valve downwards on the tab.



► Insert the overflow pipe into the drain valve.

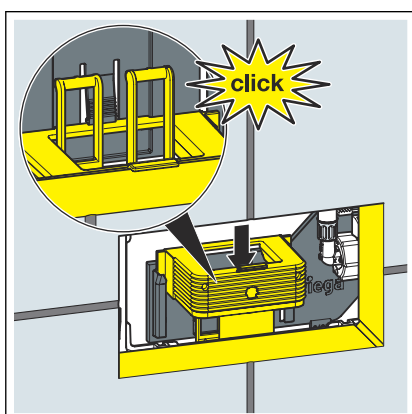


► Fold the tab upwards.

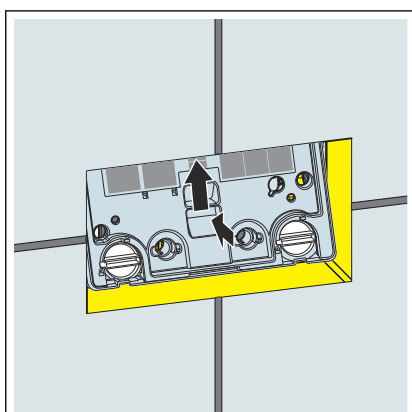


► Insert the spacer.

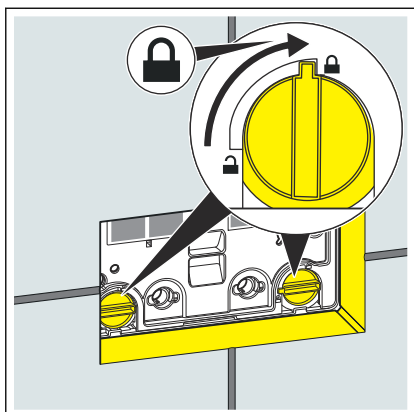
INFO! Insert the tip of the spacer into the drain valve.



► The spacer can be heard locking into place.



► Insert the site protection panel into the cistern.



- Turn the site protection panel's lock by 90° clockwise.

3.3 Cleaning and maintenance

Cleaning and maintenance of the concealed cistern

The concealed cistern is constantly under mechanical, chemical, and physical stress. For this reason, the components must be cleaned as required, and the drain and filling valve seals renewed.

In areas or regions with hard water due to high concentration of calcium or magnesium salts, there is the risk of limescale deposits developing on the inlet and drain valves. The valves may have to be replaced, depending on the extent of the deposits.

3.4 Disposal

Separate the product and packaging materials (e. g. paper, metal, plastic or non-ferrous metals) and dispose of in accordance with valid national legal requirements.



Viega GmbH & Co. KG
service-technik@viega.de
viega.com

INT • 2023-08 • VPN220442

