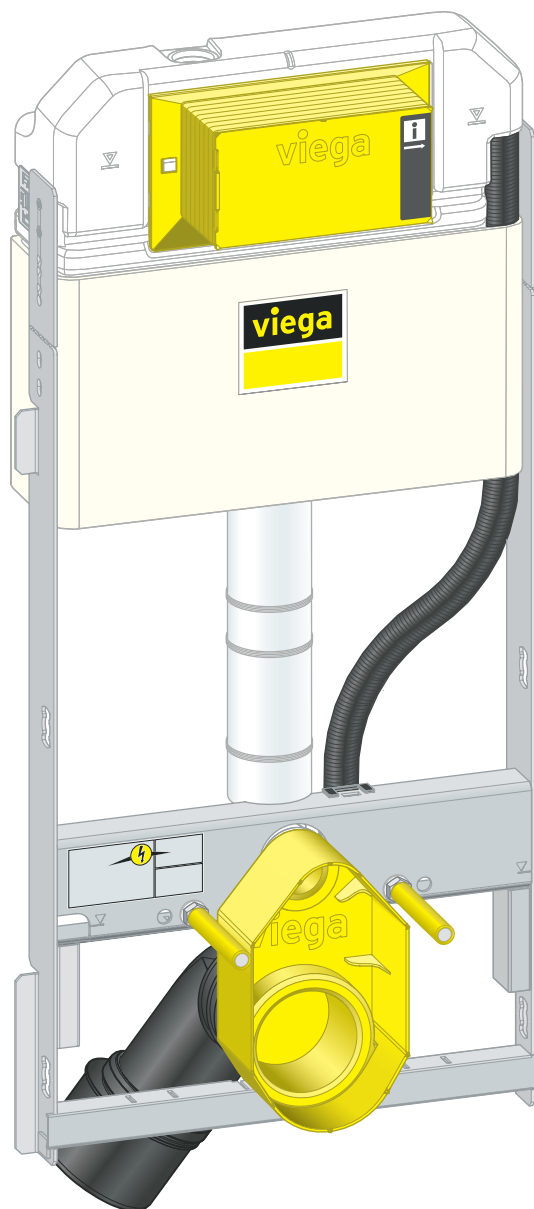


Instructions for Use

Prevista Dry Plus WC module



for WC flush plates for Prevista, Prevista Dry Plus pre-wall constructions

Model
8515

Year built (from)
12/2022



Table of contents

1	About these instructions for use	3
	1.1 Target groups	3
	1.2 Labelling of notes	3
	1.3 About this translated version	4
2	Product information	5
	2.1 Intended use	5
	2.1.1 Areas of application	5
	2.2 Product description	5
	2.2.1 Overview	5
	2.2.2 Compatible components	6
	2.2.3 Technical data	6
3	Handling	7
	3.1 Assembly information	7
	3.1.1 Installation dimensions	7
	3.2 Assembly	8
	3.2.1 Shortening the WC module (optional)	8
	3.2.2 Mounting the WC module	12
	3.2.3 Connecting concealed cistern	15
	3.2.4 Mounting the drain elbow	18
	3.2.5 Setting up and cladding the WC module	19
	3.2.6 Setting the flush volume	19
	3.3 Cleaning and maintenance	22
	3.4 Disposal	22

1 About these instructions for use

Trade mark rights exist for this document; for further information, go to viega.com/legal.

1.1 Target groups

The information in this instruction manual is directed at the following groups of people:

- Heating and plumbing experts and trained personnel
- Drywall builders

Individuals without the abovementioned training or qualification are not permitted to mount, install and, if required, maintain this product. This restriction does not extend to possible operating instructions.

The installation of Viega products must take place in accordance with the general rules of engineering and the Viega instructions for use.

1.2 Labelling of notes

Warning and advisory texts are set aside from the remainder of the text and are labelled with the relevant pictographs.



DANGER!

This symbol warns of possible life-threatening injury.



WARNING!

This symbol warns of possible serious injury.



CAUTION!

This symbol warns of possible injury.



NOTICE!

This symbol warns of possible damage to property.



This symbol gives additional information and hints.

1.3 About this translated version

This instruction for use contains important information about the choice of product or system, assembly and commissioning as well as intended use and, if required, maintenance measures. The information about the products, their properties and application technology are based on the current standards in Europe (e.g. EN) and/or in Germany (e.g. DIN/DVGW).

Some passages in the text may refer to technical codes in Europe/Germany. These should serve as recommendations in the absence of corresponding national regulations. The relevant national laws, standards, regulations, directives and other technical provisions take priority over the German/European directives specified in this manual: The information herein is not binding for other countries and regions; as said above, they should be understood as a recommendation.

2 Product information

2.1 Intended use

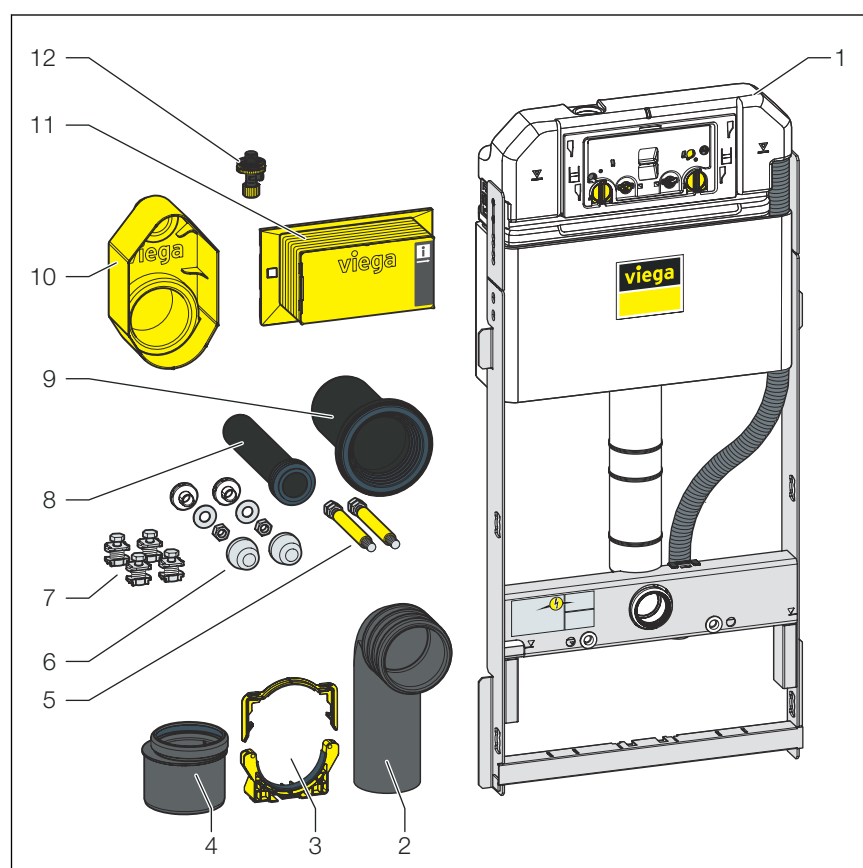
2.1.1 Areas of application

The Prevista Dry Plus WC module is designed for mounting in a Prevista Dry Plus pre-wall construction.

This model is equipped with dual flush technology. The Prevista Dry Plus WC module can generally be used with all types of WC ceramic.

2.2 Product description

2.2.1 Overview



- 1 3H concealed cistern
- 2 Waste elbow
- 3 Mounting bracket
- 4 Reducer
- 5 Threaded rods for fixing sanitary objects (gauges for bore hole 180 or 230 mm)
- 6 Mounting set for WC ceramic

- 7 Slot nuts for fixing
- 8 Flushing pipe
- 9 WC connection socket with lip seal
- 10 Site protection
- 11 Inspection shaft cover
- 12 Corner valve

2.2.2 Compatible components

The WC module is compatible with common WC ceramics, even with larger projection (barrier-free).

The WC module can be extended by the following compatible components:

- Accessory set electronic model 8655.11
- Mount the components in accordance with the respective instructions for use.

2.2.3 Technical data

Flush volume

Small flush volume	Factory setting	Approx. 3 l
	Setting range	Approx. 2–4 l
Large flush volume	Factory setting	Approx. 6 l
	Setting range	Approx. 3.5–7.5 l

Water pressure

Water pressure min.	15 kPa (0.15 bar)
Water pressure max.	1000 kPa (10 bar)

3 Handling

3.1 Assembly information

3.1.1 Installation dimensions

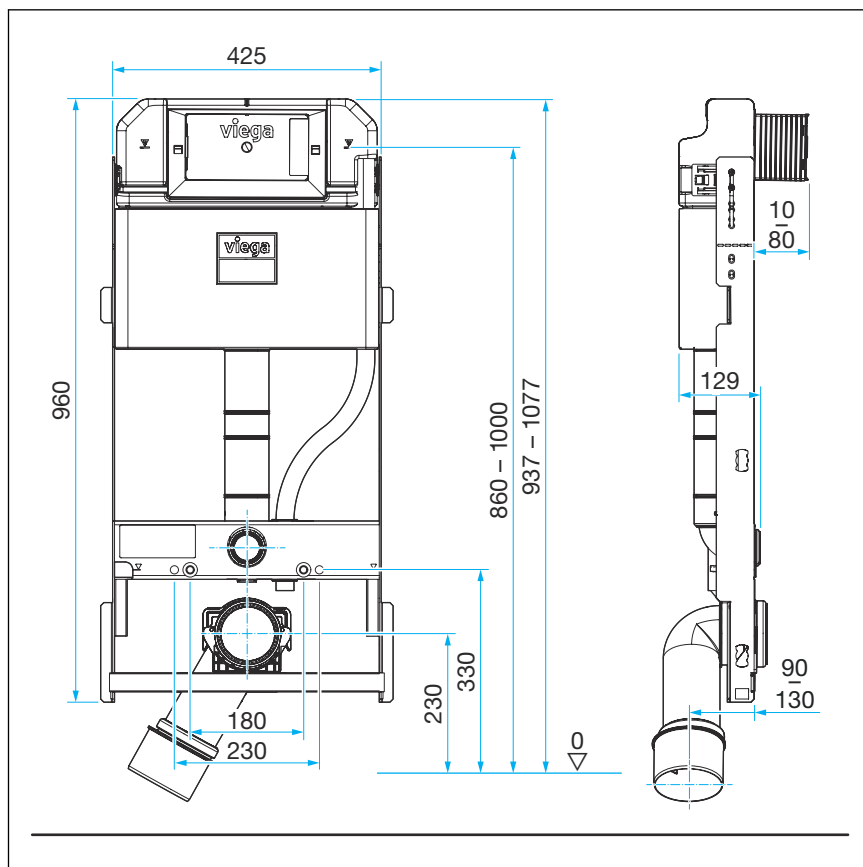


Fig. 1: Dimensional drawing

3.2 Assembly

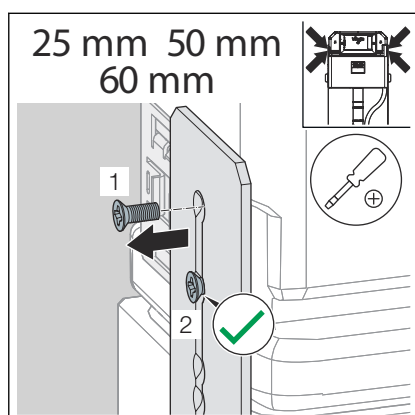
3.2.1 Shortening the WC module (optional)

If required, the WC module can be shortened.

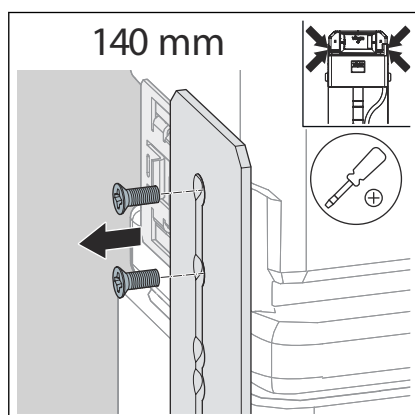


The cistern is height-adjustable on four levels.
The flushing pipe elbow and the empty conduit also need to be shortened.

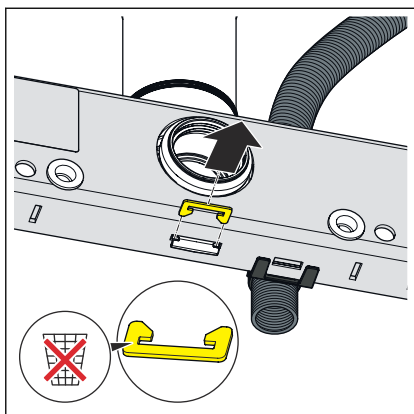
WC module construction height in [x mm]	Shorten flushing pipe elbow by [x mm]
1077	0
1052	25
1027	50
1017	60
937	140



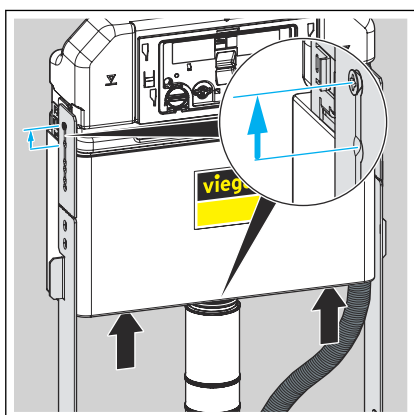
- To reduce the construction height by 25/50/60 mm, unscrew the upper screws on the brackets.
- Loosen the lower screws on the brackets.



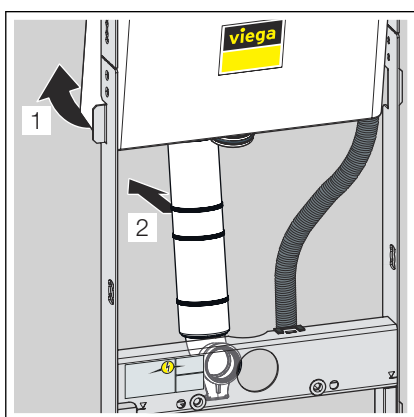
- To reduce the construction height by 140 mm, unscrew the screws on the brackets.



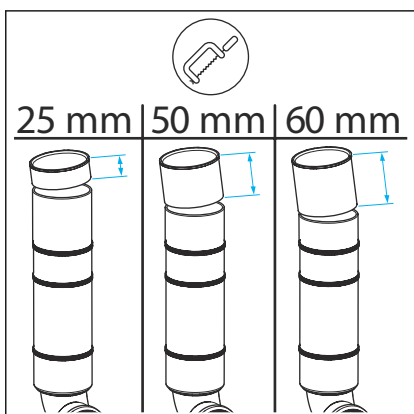
- Loosen the clip on the module.
Keep the clip for later use.



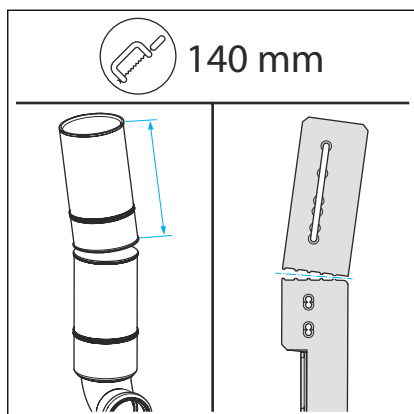
- Push the cistern slightly upwards.



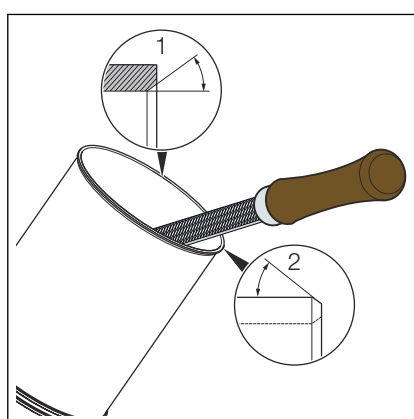
- Tilt the cistern backwards.
- Pull the flushing pipe elbow out of the cistern.



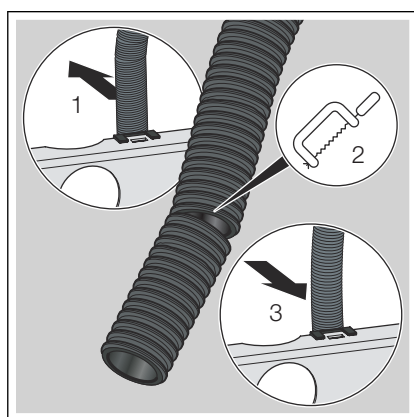
- To reduce the construction height by 25/50/60 mm, shorten the flushing pipe elbow as necessary.



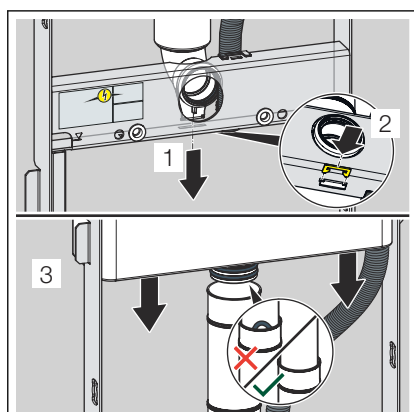
- To reduce the construction height by 140 mm, shorten the flushing pipe elbow at the groove as necessary.
- Separate the support plates at the marking.



NOTICE! Deburr the inside and outside of the flushing pipe elbow.

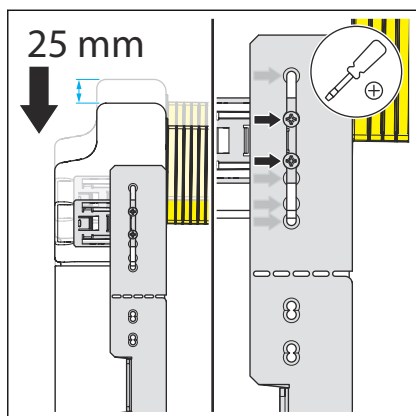


- To reduce the construction height by 25/50/60/140 mm, detach the empty conduit from the module.
- Shorten the empty conduit accordingly.
- Fix the empty conduit to the module again.

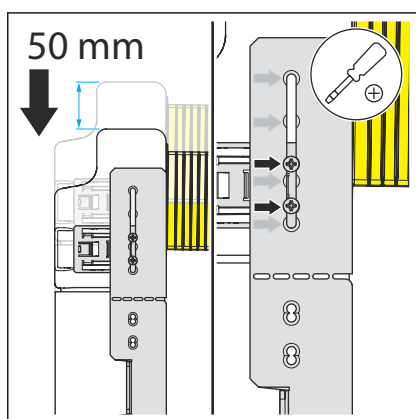


- Fix the flushing pipe elbow to the module with the clip.
- Insert the flushing pipe elbow into the cistern.

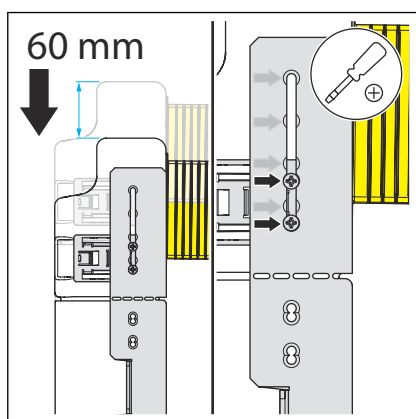
NOTICE! Make sure that the seal is correctly seated.



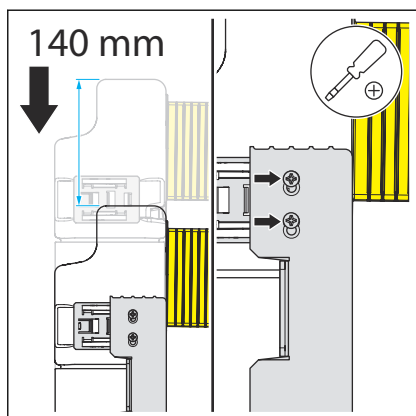
- Move the cistern to the required height.
- Fix the brackets again using the screws.



- Move the cistern to the required height.
- Fix the brackets again using the screws.

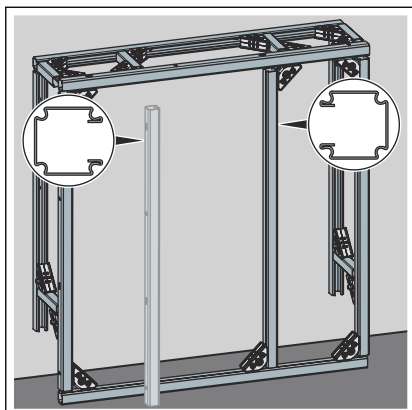


- Move the cistern to the required height.
- Fix the brackets again using the screws.



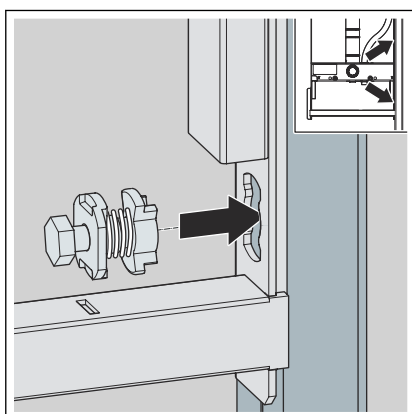
- Move the cistern to the required height.
- Fix the brackets again using the screws.

3.2.2 Mounting the WC module

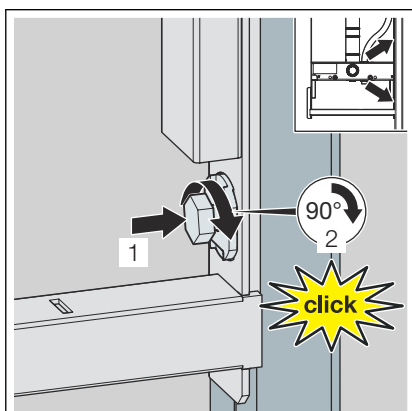


The two vertical rails that surround the module must be open towards the module.

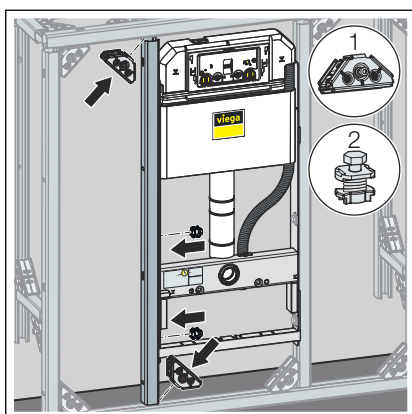
Do not fit the left rail until the WC module has been fitted on the right-hand rail.



- Secure the module onto the open mounting rail with the slot nuts supplied:
- Insert the slot nut into the opening of the module.



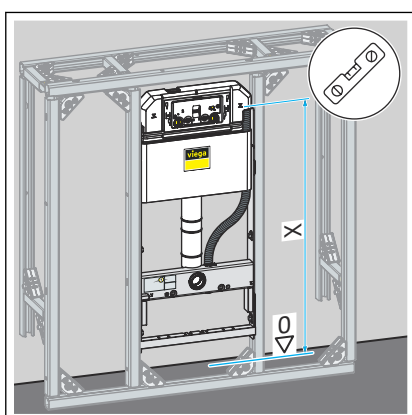
- Push the slot nut in until it engages.



- Attach the left Prevista Dry Plus mounting rail.

INFO! The two vertical rails that surround the module must be open towards the module.

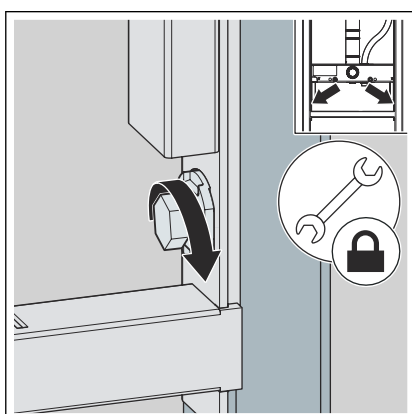
- Fix the WC module on the mounting rail with the slot nuts.



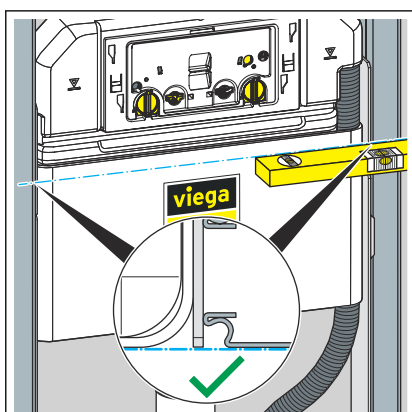
- Align the WC module.



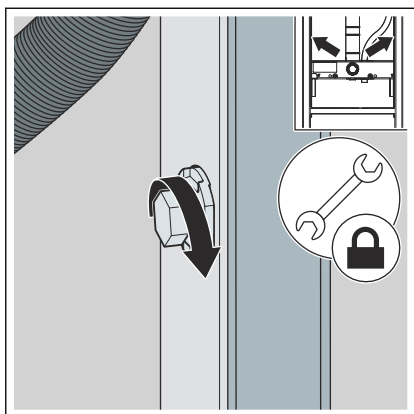
Repeat the steps for attaching the slot nuts on the left-hand side.



- Fix the lower slot nuts.

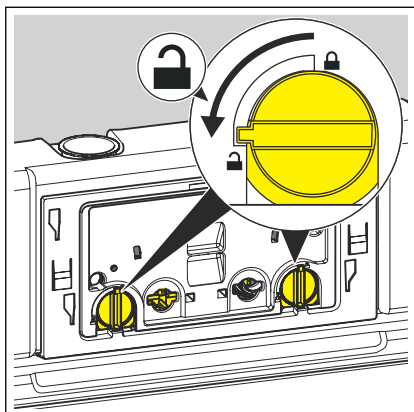


- Align the WC module.

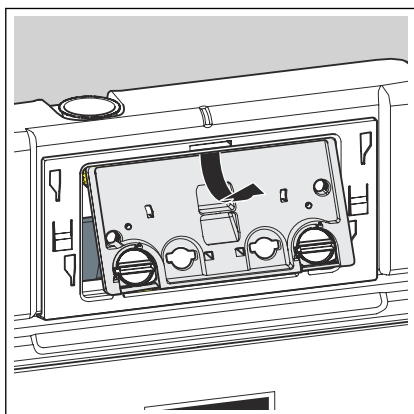


► Fix the upper slot nuts.

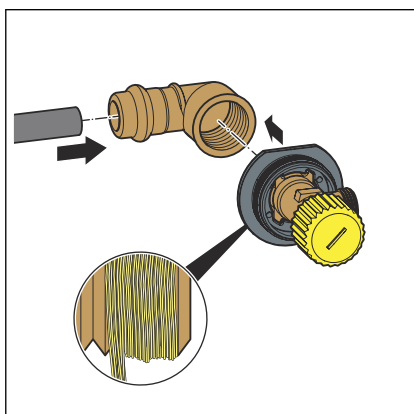
3.2.3 Connecting concealed cistern



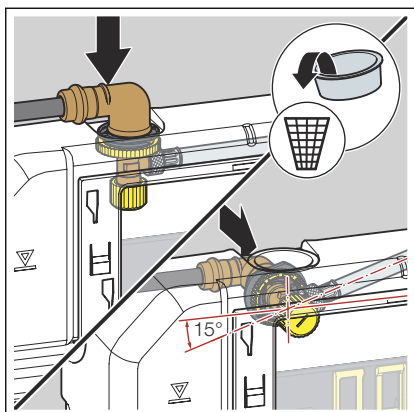
- Turn the site protection panel lock 90° anti-clockwise.



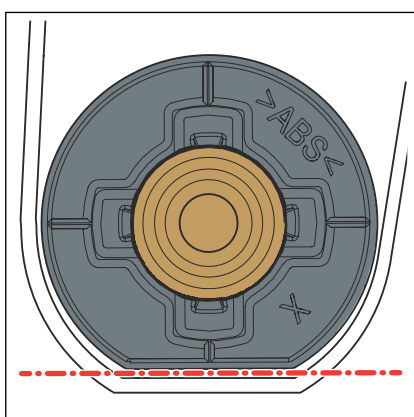
- Remove the site protection panel.



- Place the press connector onto the water inlet.
- Press the connection.
- Seal the threaded connectors of the corner valve.
- Screw the corner valve into the thread side of the press connector.

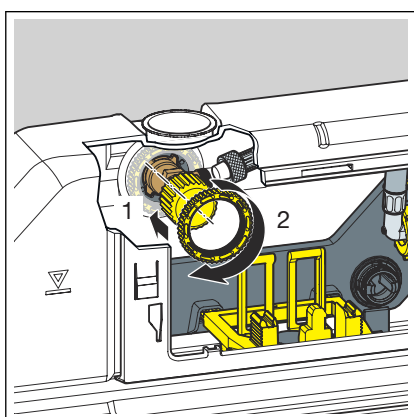


INFO! For the concealed cistern 3H, the corner valve can be attached from the top or rear.

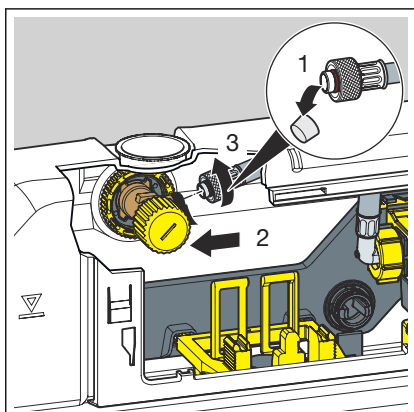


➤ Remove the plug.

INFO! Observe the proper fit of the corner valve.



➤ Use the lock nut to screw the corner valve and the cistern to each other.

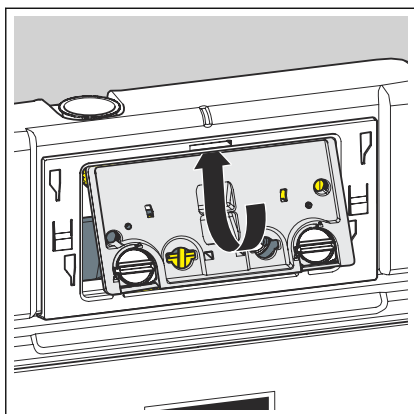


➤ Remove the protective cap from the flexible hose.

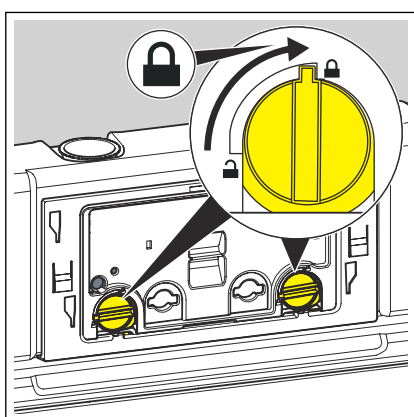
➤ Screw the flexible hose and the corner valve to each other (hand tight).

INFO! If a WC flush plate with electronic flush actuation is to be mounted, the small flush volume must be set to 2 litres.

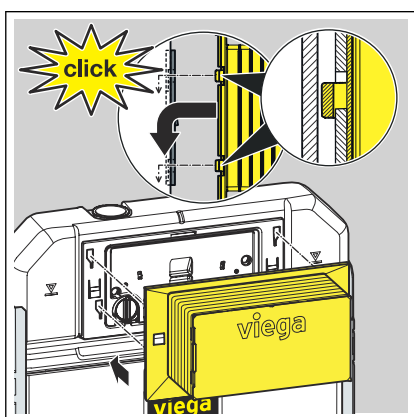
➤ Set the flush volume as applicable, ↗ **Chapter 3.2.6 'Setting the flush volume' on page 19.**



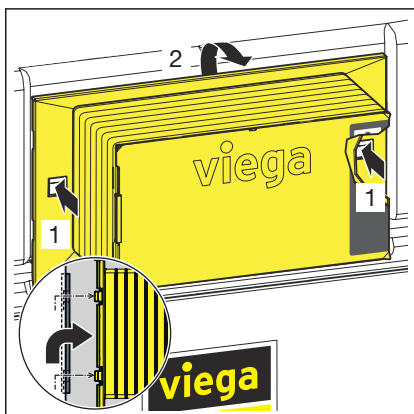
➤ Insert the site protection panel into the cistern.



➤ Turn the site protection panel's lock by 90° clockwise.

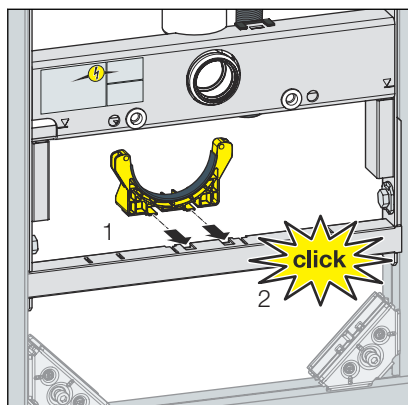


➤ Place the inspection shaft on the site protection panel.

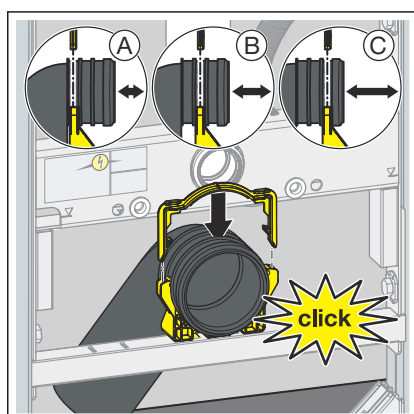


To remove the inspection shaft, press in the fixing clips at the side.

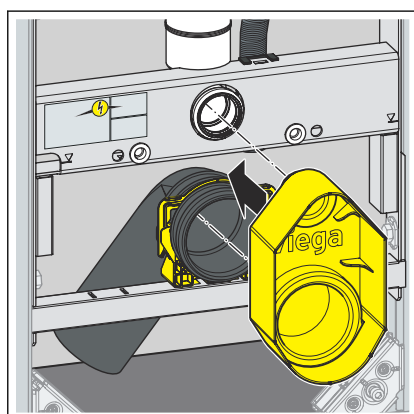
3.2.4 Mounting the drain elbow



- Insert the mounting bracket.

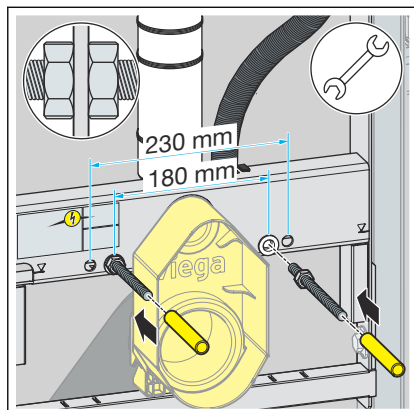


- Insert the drain elbow to the desired depth.
- Fasten the drain elbow using the bow.

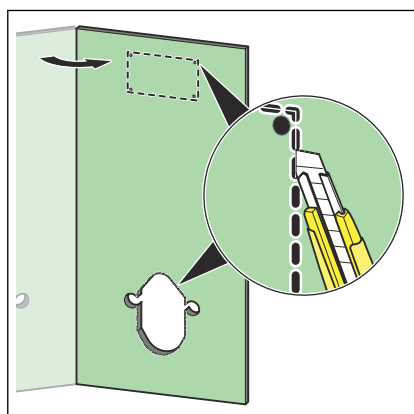


- Fit the site protection.

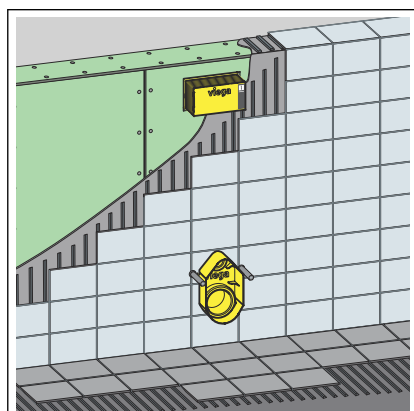
3.2.5 Setting up and cladding the WC module



- Turn in the threaded rods by hand.
- Place the protective caps on the threaded rods.



- Cut out the recesses for the site protection, the inspection shaft and the threaded rods.



- Clad the element with suitable plasterboard cladding panels.

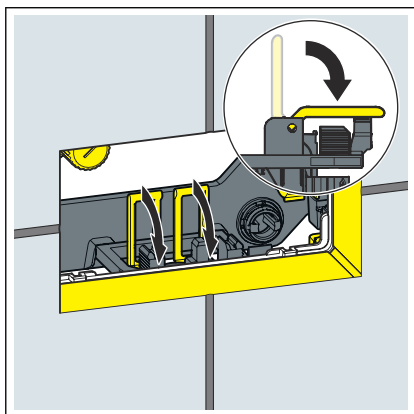
3.2.6 Setting the flush volume



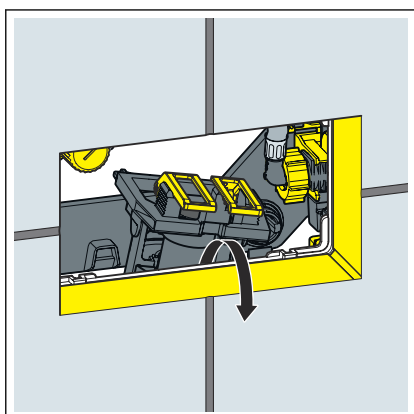
For an electronic flush actuation, the small flush volume must be set to 2 litres.

Requirements:

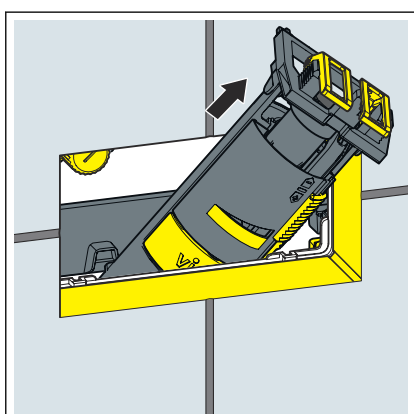
- The cistern is freely accessible.
- The water supply has been shut off.
- The ceramic has been mounted.
- Fold the tabs forward.

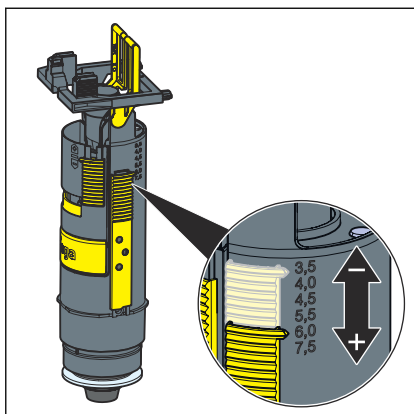


- Lift the drain valve.

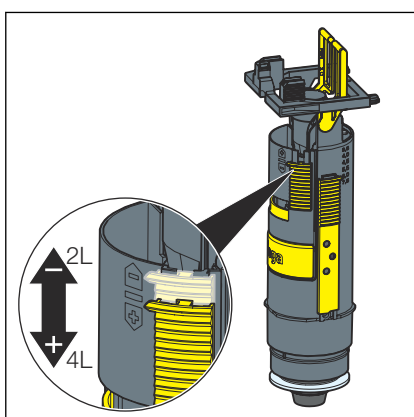


- Remove the drain valve through the revision opening.





➤ Set the large flush volume at the drain valve.

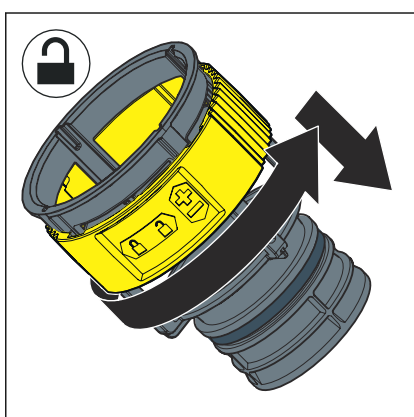


➤ Set the small flush volume at the drain valve.

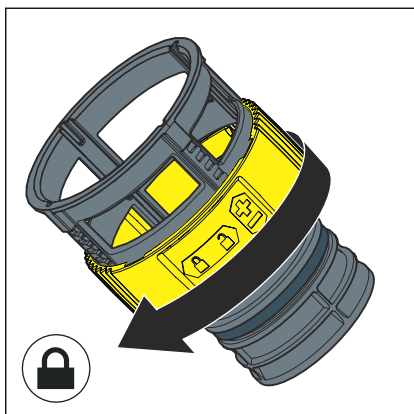
Setting the flush flow

Requirements:

- The drain valve has been dismantled.
- The flushing throttle has been removed.



- Unlock the flushing throttle.
- Set the flush flow at the throttle.



► Lock the flushing throttle.

3.3 Cleaning and maintenance

Cleaning and maintenance of the concealed cistern

The concealed cistern is constantly under mechanical, chemical, and physical stress. For this reason, the components must be cleaned as required, and the drain and filling valve seals renewed.

In areas or regions with hard water due to high concentration of calcium or magnesium salts, there is the risk of limescale deposits developing on the inlet and drain valves. The valves may have to be replaced, depending on the extent of the deposits.

3.4 Disposal

Separate the product and packaging materials (e. g. paper, metal, plastic or non-ferrous metals) and dispose of in accordance with valid national legal requirements.



Viega GmbH & Co. KG
service-technik@viega.de
viega.com

INT • 2023-02 • VPN220289

