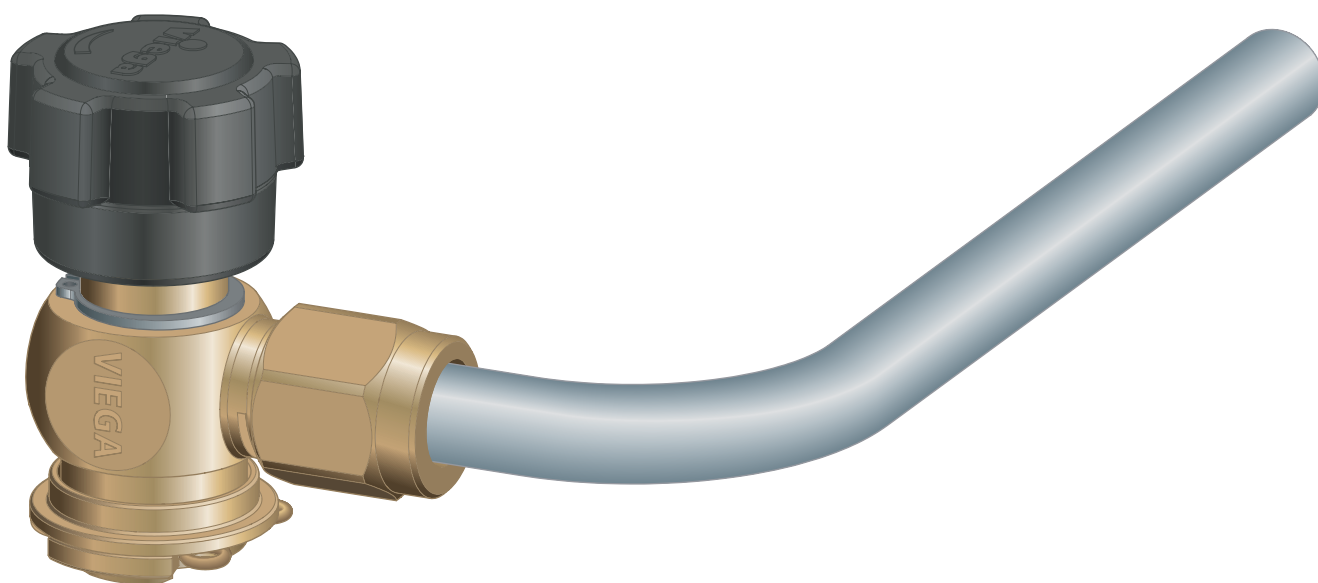


Instructions for Use

Easytop actuation unit



for sample extraction of potable water (PWC/PWH/PWH-C) in accordance with DWO

Model
2223.3

Year built (from)
07/2013

viega

Table of contents

1	About these instructions for use	3
	1.1 Target groups	3
	1.2 Labelling of notes	3
	1.3 About this translated version	4
2	Product information	5
	2.1 Standards and regulations	5
	2.2 Intended use	7
	2.2.1 Areas of application	7
	2.2.2 Media	7
	2.3 Product description	8
	2.3.1 Overview	8
	2.3.2 Compatible components	9
	2.3.3 Technical data	9
	2.4 Information for use	10
	2.4.1 Corrosion	10
	2.5 Required accessories	10
3	Handling	11
	3.1 Assembly information	11
	3.1.1 Mounting instructions	11
	3.1.2 Required tools	11
	3.2 Assembly	12
	3.2.1 Mounting the actuation unit	12
	3.3 Control	13
	3.3.1 Sample extraction	13
	3.3.2 Mounting the signage	14
	3.4 Disposal	14

1 About these instructions for use

Trade mark rights exist for this document; for further information, go to viega.com/legal.

1.1 Target groups

The information in this manual is directed at heating and sanitary professionals and trained personnel.

Individuals without the abovementioned training or qualification are not permitted to mount, install and, if required, maintain this product. This restriction does not extend to possible operating instructions.

The installation of Viega products must take place in accordance with the general rules of engineering and the Viega instructions for use.

1.2 Labelling of notes

Warning and advisory texts are set aside from the remainder of the text and are labelled with the relevant pictographs.



DANGER!

This symbol warns of possible life-threatening injury.



WARNING!

This symbol warns of possible serious injury.



CAUTION!

This symbol warns of possible injury.



NOTICE!

This symbol warns of possible damage to property.



This symbol gives additional information and hints.

1.3 About this translated version

This instruction for use contains important information about the choice of product or system, assembly and commissioning as well as intended use and, if required, maintenance measures. The information about the products, their properties and application technology are based on the current standards in Europe (e.g. EN) and/or in Germany (e.g. DIN/DVGW).

Some passages in the text may refer to technical codes in Europe/Germany. These should serve as recommendations in the absence of corresponding national regulations. The relevant national laws, standards, regulations, directives and other technical provisions take priority over the German/European directives specified in this manual: The information herein is not binding for other countries and regions; as said above, they should be understood as a recommendation.

2 Product information

2.1 Standards and regulations

The following standards and regulations apply to Germany / Europe and are provided as a support feature.

Regulations from section: Application areas

Scope / Notice	Regulations applicable in Germany
Planning, execution, operation and maintenance of potable water installations	DIN EN 806, part 1
Planning, execution, operation and maintenance of potable water installations	DIN EN 806, part 2
Planning, execution, operation and maintenance of potable water installations	DIN EN 806, part 3
Planning, execution, operation and maintenance of potable water installations	DIN EN 806, part 4
Planning, execution, operation and maintenance of potable water installations	DIN EN 806, part 5
Planning, execution, operation and maintenance of potable water installations	DIN EN 1717
Planning, execution, operation and maintenance of potable water installations	DIN 1988
Planning, execution, operation and maintenance of potable water installations	VDI/DVGW 6023
Planning, execution, operation and maintenance of potable water installations	Trinkwasserverordnung (TrinkwV)
Planning, execution, operation and maintenance of potable water installations	DVGW-Arbeitsblatt W 551

Regulations from section: Media

Scope / Notice	Regulations applicable in Germany
Suitability for potable water	Trinkwasserverordnung (TrinkwV)

Regulations from section: Product description

Scope / Notice	Regulations applicable in Germany
Suitability for potable water installations	Trinkwasserverordnung (TrinkwV)
Suitability for potable water installations	DIN 50930-6
Requirements in plastic components in potable water installations	DVGW-Arbeitsblatt W270

Regulations from section: Overview

Scope / Notice	Regulations applicable in Germany
Inspection requirements	DVGW-Arbeitsblatt W 579 (P)
Use for regular sampling in public / commercial buildings	DVGW-Arbeitsblatt W 551

Regulations from section: Notes on mounting

Scope / Notice	Regulations applicable in Germany
Placement of the extraction valves	DVGW-Arbeitsblatt W 551

Regulations from section: Mounting the labels

Scope / Notice	Regulations applicable in Germany
Non-interchangeable identification of sampling points	DVGW-Information TWIN Nr. 06

Regulations from section: Leakage test

Scope / Notice	Regulations applicable in Germany
Leakage test for potable water installations	DIN EN 806, part 4
Leakage test for potable water installations	ZVSHK-Merkblatt „Dichtheitsprüfungen von Trinkwasserinstallationen mit Druckluft, Inertgas oder Wasser“

Regulations from section: Maintenance

Scope / Notice	Regulations applicable in Germany
Operation and maintenance of potable water installations	DIN EN 806-5

2.2 Intended use



Agree the use of the model for areas of application and media other than those described with Viega.

2.2.1 Areas of application

Use is possible in the following areas among others:

- Potable water installations
- Industrial units

The general rules of engineering and the applicable regulations must be observed for planning, execution, operation and maintenance of potable water installations, see ↪ *'Regulations from section: Application areas'* on page 5.

2.2.2 Media

The model is also suitable for the following media, amongst others:

- Potable water without limitations acc. to the applicable directives, see ↪ *'Regulations from section: Media'* on page 6
- Maximum chloride concentration 250 mg/l pursuant to applicable regulations, see ↪ *'Regulations from section: Media'* on page 6

2.3 Product description

According to the applicable regulations, Easytop system fittings can be used for all types of potable water and are DVGW certified, see ↗ *'Regulations from section: Product description'* on page 6. Their plastic components comply with the KTW recommendation and the requirements pursuant to the applicable regulations.

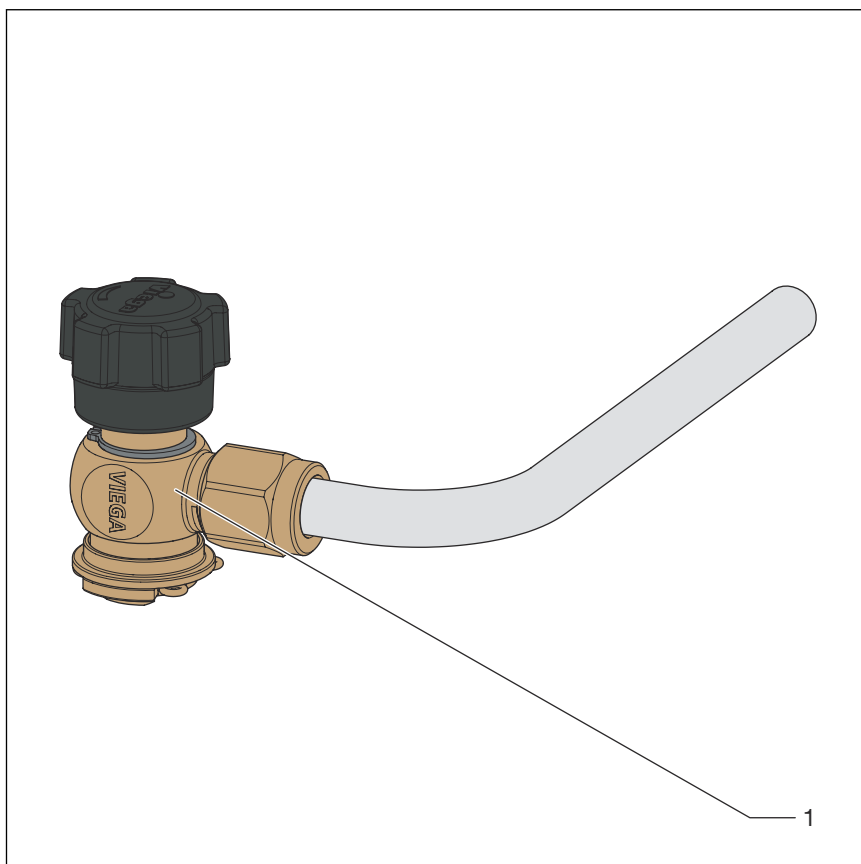
2.3.1 Overview



Combined with the Easytop extraction valve, the Easytop actuating unit complies with the test requirements specified in the applicable regulations and is suitable for regular sample extraction in public / commercial buildings, see ↗ *'Regulations from section: Overview'* on page 6.



The Easytop system fittings comply with the test requirements specified in the applicable regulations, see ↗ *'Regulations from section: Overview'* on page 6.
Sound protection $L_{ap} \leq 20 \text{ dB(A)}$



1 - actuation unit

The actuation unit is removable, multi-use and can be sterilised several times and can be mounted onto the extraction valve when extracting a sample.

The model is equipped as follows:

- Actuation unit made of gunmetal/silicon bronze
- Retaining clamp and sliding sleeve for fixing to the extraction valve
- Outlet pipe made of steel, stainless, rotatable, flame-treatable
- Removable handwheel



It is possible to sterilise the actuation unit in an autoclave (handwheel must be removed for this).

2.3.2 Compatible components

The Easytop actuating unit is compatible with the Easytop extraction valve model 2223.2. In addition, the Easytop actuation unit is retro-compatible with the old extraction valves (article 609092 and 609108).

Please contact the Viega Service Center for questions on this subject.

2.3.3 Technical data

Observe the following operating conditions for the installation of the model:

Operating temperature [T_{\max}]	90 °C
Operating pressure [P_{\max}]	1.6 MPa (16 bar)

2.4 Information for use

2.4.1 Corrosion

Overground pipelines and fittings in rooms do not normally require external corrosion protection.

There are exceptions in the following cases:

- Contact with aggressive building materials such as nitrite or materials containing ammonium
- in aggressive surroundings



The Easytop actuation unit made of gunmetal/silicon bronze is suitable for all types of potable water.

The chloride concentration in the medium must not exceed a maximum value of 250 mg/l.

This chloride is not a disinfectant, but in fact pertains to the content in sea and table salt (sodium chloride).

2.5 Required accessories

An extraction valve (model 2223.2) is required for the mounting of the model. The extraction valve is available in the following dimensions G $\frac{1}{4}$ and G $\frac{3}{8}$.

3 Handling

3.1 Assembly information

3.1.1 Mounting instructions

The positioning of the extraction valve should take place in accordance with the recommendations of the applicable directives; existing testing or drainage openings on fittings can be used, see [Chapter 2.1 'Standards and regulations'](#) on page 5.

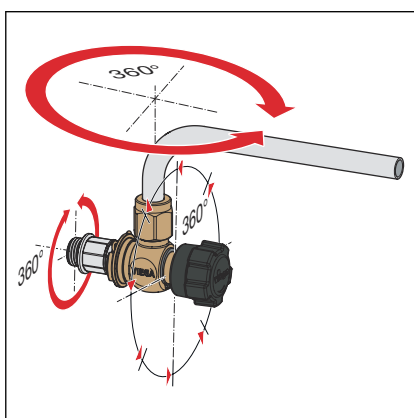


Fig. 1: Extraction valve axes of rotation

The actuation unit can be mounted on various rotation axes in nearly all positions of a system:

- 360° rotatable outlet pipe
- Base unit rotatable through 360° on the actuation unit
- Positioning of the actuation unit on the extraction valve in 45° increments through 360° possible

Checking system components



Do not remove the model from the packaging until immediately before use.

System components may, in some cases, become damaged through transportation and storage.

- Check all parts.
- Replace damaged components.
- Do not repair damaged components.
- Contaminated components may not be installed.

3.1.2 Required tools

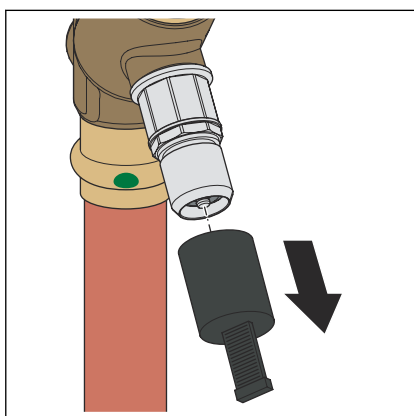
No tools are required for mounting the actuation unit.

3.2 Assembly

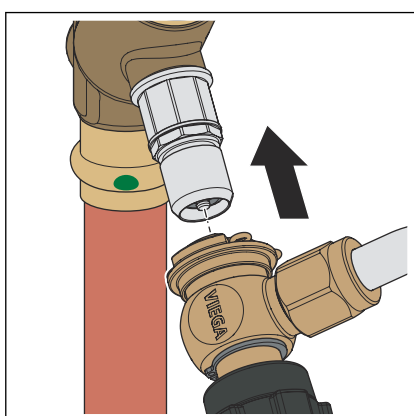


For the mounting of the Easytop extraction valves the instructions for use of the extraction valves model 2223.2. should be observed.

3.2.1 Mounting the actuation unit

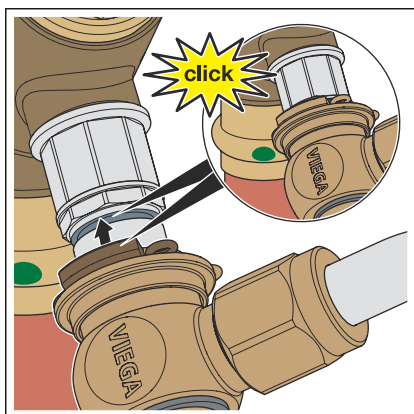


- Remove the protective cap from the extraction valve.



CAUTION! Close the actuation unit before attaching it. Risk of scalding!

- Place the actuation unit onto the extraction valve.



- Attach the actuation unit to the extraction valve. Do this by pushing the sliding sleeve over the holding clamp.

3.3 Control

3.3.1 Sample extraction

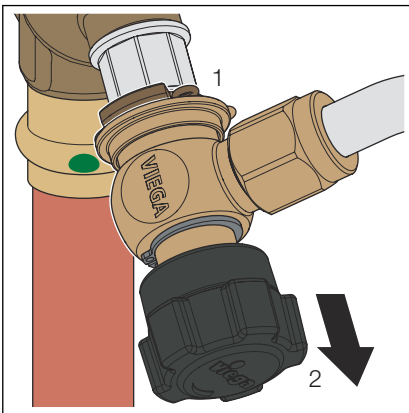
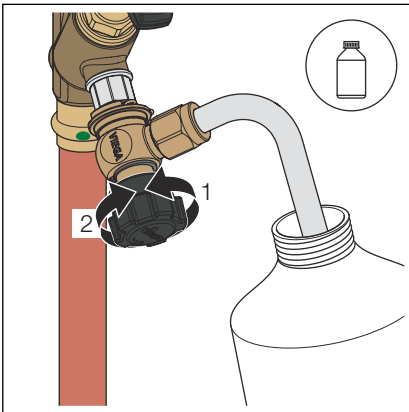


Disinfect or sterilise the outlet pipe every time prior to sampling. Alternatively, you can sterilise the actuation unit in the autoclave.

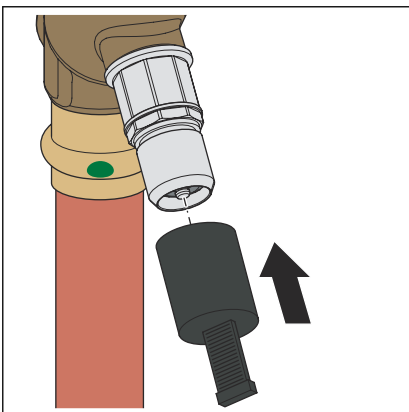
The actuation unit can also be operated using a bleeding key when the handwheel is removed.

NOTICE! You might need to remove the handwheel in difficult installation situations prior to flame treatment.

- Thermally or chemically disinfect or sterilise the outlet pipe, e.g. using flame treatment.
- Open the valve using the handwheel and extract a water sample.
- After extracting the sample, close the valve using the handwheel.



- Release the sliding sleeve and remove the actuation unit.



- Leave the extraction valve inside the unit and replace the protective cap.

3.3.2 Mounting the signage

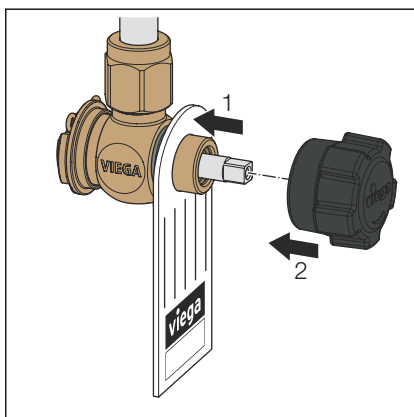


Sampling points must be labelled in such a way as to avoid confusion and in compliance with applicable guidelines, see [Chapter 2.1 'Standards and regulations'](#) on page 5.

The signage (writeable) can be mounted in the following positions:

- behind the removable handwheel
- between extraction valve and protective cap

Signage behind the handwheel

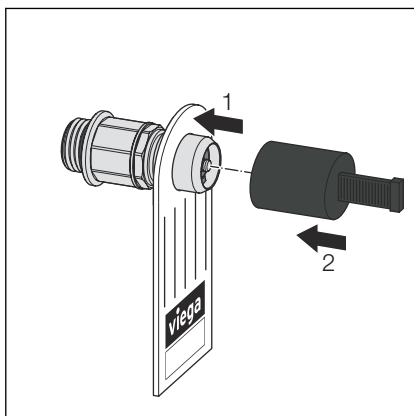


- Remove the handwheel from the actuation unit.
- Attach the signage.
- Re-attach the handwheel.

Signage between extraction valve and protective cap



If the actuation unit is being taken away, attach the signage to the extraction valve.



- Remove the protective cap from the extraction valve.
- Attach the signage.
- Re-attach the protective cap.

3.4 Disposal

Separate the product and packaging materials (e. g. paper, metal, plastic or non-ferrous metals) and dispose of in accordance with valid national legal requirements.



Viega GmbH & Co. KG
service-technik@viega.de
viega.com

INT • 2022-08 • VPN210560

