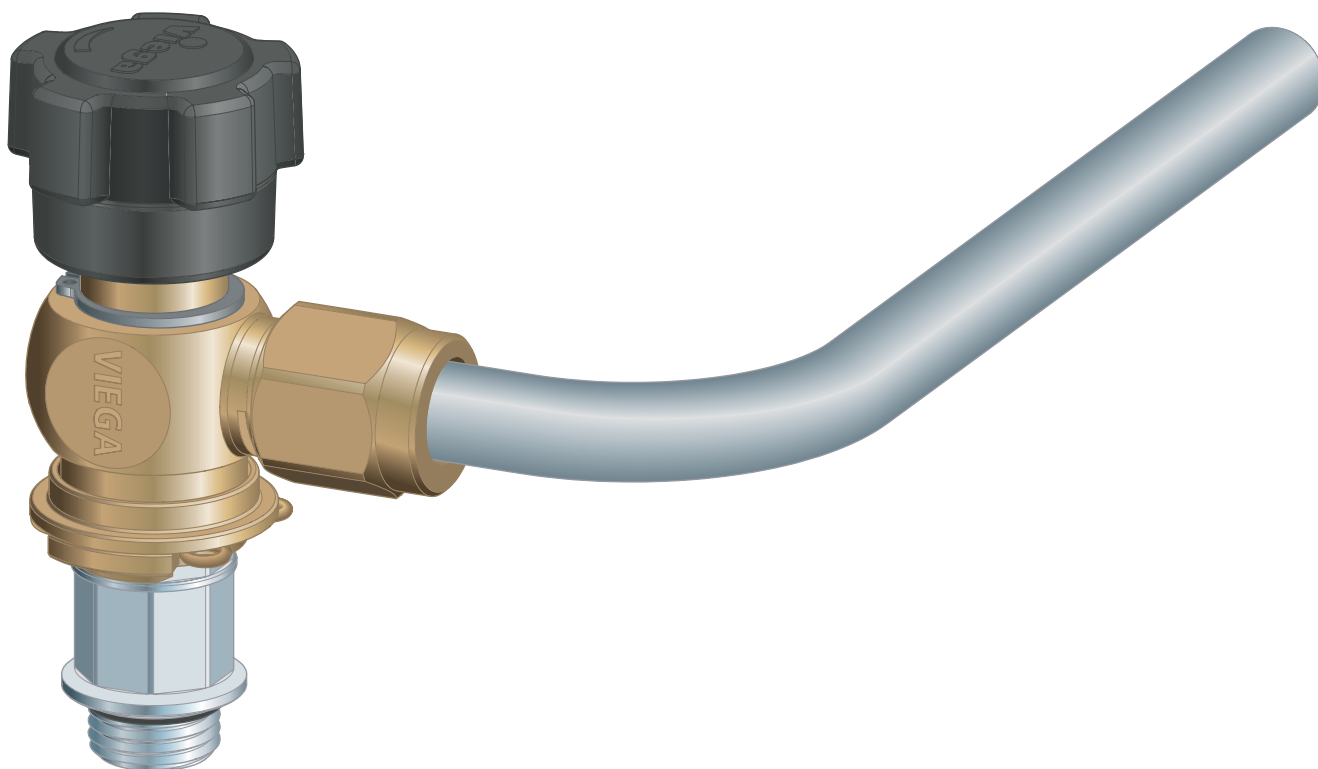


Instructions for Use

Easytop extraction valve



for sample extraction of potable water (PWC/PWH/PWH-C) in accordance with DWO

Model
2223.1

Year built (from)
07/2013

viega

Table of contents

1	About these instructions for use	3
	1.1 Target groups	3
	1.2 Labelling of notes	3
	1.3 About this translated version	4
2	Product information	5
	2.1 Standards and regulations	5
	2.2 Intended use	7
	2.2.1 Areas of application	7
	2.2.2 Media	7
	2.3 Product description	8
	2.3.1 Overview	8
	2.3.2 Threaded connection	9
	2.3.3 Compatible components	9
	2.3.4 Technical data	9
	2.4 Information for use	10
	2.4.1 Corrosion	10
3	Handling	11
	3.1 Assembly information	11
	3.1.1 Mounting instructions	11
	3.1.2 Required tools	11
	3.2 Assembly	12
	3.2.1 Mounting the extraction valve	12
	3.2.2 Mounting the actuation unit	13
	3.2.3 Leakage test	13
	3.3 Control	14
	3.3.1 Sample extraction	14
	3.3.2 Mounting the signage	16
	3.4 Disposal	17

1 About these instructions for use

Trade mark rights exist for this document; for further information, go to viega.com/legal.

1.1 Target groups

The information in this manual is directed at heating and sanitary professionals and trained personnel.

Individuals without the abovementioned training or qualification are not permitted to mount, install and, if required, maintain this product. This restriction does not extend to possible operating instructions.

The installation of Viega products must take place in accordance with the general rules of engineering and the Viega instructions for use.

1.2 Labelling of notes

Warning and advisory texts are set aside from the remainder of the text and are labelled with the relevant pictographs.



DANGER!

This symbol warns of possible life-threatening injury.



WARNING!

This symbol warns of possible serious injury.



CAUTION!

This symbol warns of possible injury.



NOTICE!

This symbol warns of possible damage to property.



This symbol gives additional information and hints.

1.3 About this translated version

This instruction for use contains important information about the choice of product or system, assembly and commissioning as well as intended use and, if required, maintenance measures. The information about the products, their properties and application technology are based on the current standards in Europe (e.g. EN) and/or in Germany (e.g. DIN/DVGW).

Some passages in the text may refer to technical codes in Europe/Germany. These should serve as recommendations in the absence of corresponding national regulations. The relevant national laws, standards, regulations, directives and other technical provisions take priority over the German/European directives specified in this manual: The information herein is not binding for other countries and regions; as said above, they should be understood as a recommendation.

2 Product information

2.1 Standards and regulations

The following standards and regulations apply to Germany / Europe and are provided as a support feature.

Regulations from section: Application areas

Scope / Notice	Regulations applicable in Germany
Planning, execution, operation and maintenance of potable water installations	DIN EN 806, part 1
Planning, execution, operation and maintenance of potable water installations	DIN EN 806, part 2
Planning, execution, operation and maintenance of potable water installations	DIN EN 806, part 3
Planning, execution, operation and maintenance of potable water installations	DIN EN 806, part 4
Planning, execution, operation and maintenance of potable water installations	DIN EN 806, part 5
Planning, execution, operation and maintenance of potable water installations	DIN EN 1717
Planning, execution, operation and maintenance of potable water installations	DIN 1988
Planning, execution, operation and maintenance of potable water installations	VDI/DVGW 6023
Planning, execution, operation and maintenance of potable water installations	Trinkwasserverordnung (TrinkwV)
Planning, execution, operation and maintenance of potable water installations	DVGW-Arbeitsblatt W 551

Regulations from section: Media

Scope / Notice	Regulations applicable in Germany
Suitability for potable water	Trinkwasserverordnung (TrinkwV)

Regulations from section: Product description

Scope / Notice	Regulations applicable in Germany
Suitability for potable water installations	Trinkwasserverordnung (TrinkwV)
Suitability for potable water installations	DIN 50930-6
Requirements in plastic components in potable water installations	DVGW-Arbeitsblatt W270

Regulations from section: Overview

Scope / Notice	Regulations applicable in Germany
Inspection requirements	DVGW-Arbeitsblatt W 579 (P)
Use for regular sampling in public / commercial buildings	DVGW-Arbeitsblatt W 551
G-thread	DIN EN ISO 228-1

Regulations from section: Notes on mounting

Scope / Notice	Regulations applicable in Germany
Placement of the extraction valves	DVGW-Arbeitsblatt W 551

Regulations from section: Mounting the labels

Scope / Notice	Regulations applicable in Germany
Non-interchangeable identification of sampling points	DVGW-Information TWIN Nr. 06

Regulations from section: Leakage test

Scope / Notice	Regulations applicable in Germany
Leakage test for potable water installations	DIN EN 806, part 4
Leakage test for potable water installations	ZVSHK-Merkblatt „Dichtheitsprüfungen von Trinkwasserinstallationen mit Druckluft, Inertgas oder Wasser“

Regulations from section: Maintenance

Scope / Notice	Regulations applicable in Germany
Operation and maintenance of potable water installations	DIN EN 806-5

2.2 Intended use



Agree the use of the model for areas of application and media other than those described with Viega.

2.2.1 Areas of application

Use is possible in the following areas among others:

- Potable water installations
- Industrial units

The general rules of engineering and the applicable regulations must be observed for planning, execution, operation and maintenance of potable water installations, see ↪ *'Regulations from section: Application areas'* on page 5.

2.2.2 Media

The model is also suitable for the following media, amongst others:

- Potable water without limitations acc. to the applicable directives, see ↪ *'Regulations from section: Media'* on page 6
- Maximum chloride concentration 250 mg/l pursuant to applicable regulations, see ↪ *'Regulations from section: Media'* on page 6

2.3 Product description

According to the applicable regulations, Easytop system fittings can be used for all types of potable water and are DVGW certified, see ↗ *'Regulations from section: Product description'* on page 6. Their plastic components comply with the KTW recommendation and the requirements pursuant to the applicable regulations.

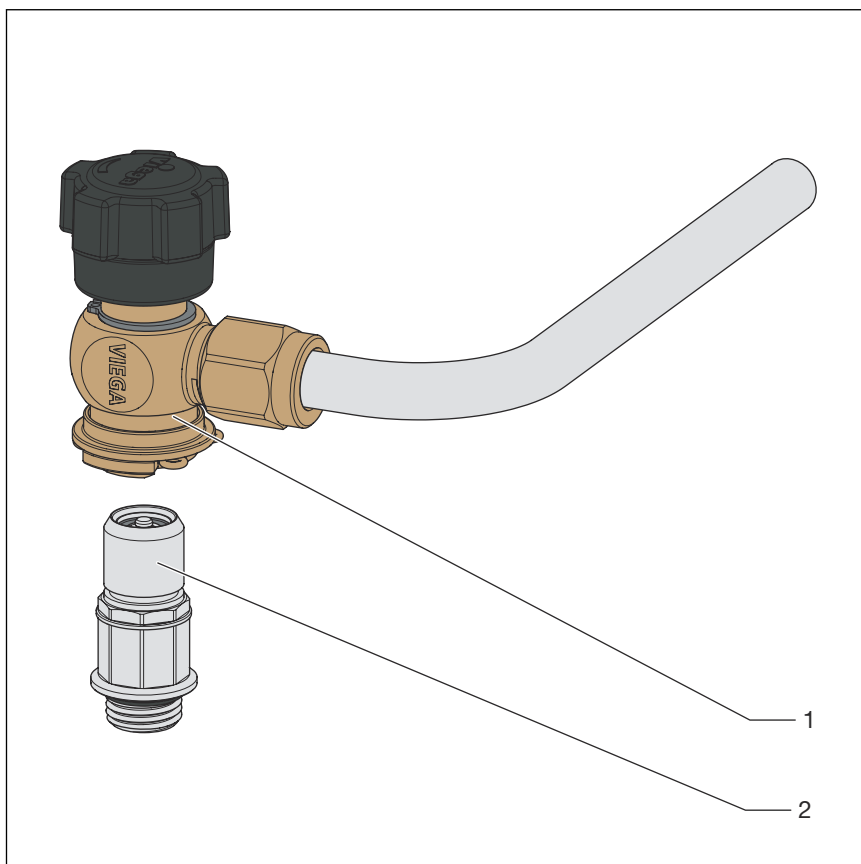
2.3.1 Overview



The Easytop extraction valves comply with the test requirements specified in the applicable regulations and are suitable for regular sample extraction in public / commercial buildings, see ↗ *'Regulations from section: Overview'* on page 6.



The Easytop system fittings comply with the test requirements specified in the applicable regulations, see ↗ *'Regulations from section: Overview'* on page 6.
Sound protection $L_{ap} \leq 20 \text{ dB(A)}$



- 1 - actuation unit
- 2 - Extraction valve

The two-piece extraction valve consists of a permanently installed extraction valve and a removable, multi-use actuation unit that can be sterilised and which can be mounted onto the extraction valve when extracting a sample.

The model is equipped as follows:

- Actuation unit made of gunmetal/silicon bronze
- Retaining clamp and sliding sleeve for fixing to the extraction valve
- Outlet pipe made of steel, stainless, rotatable, flame-treatable
- Removable handwheel
- Extraction valve made of steel, stainless
- Protective cap for the extraction valve
- G-thread pursuant to applicable regulations, see ↪ *'Regulations from section: Overview'* on page 6

The extraction valve is closed in its mounted condition.



Because it is made of two pieces, it is possible to sterilise the actuation unit in an autoclave (handwheel must be removed for this).

The model is available in the following dimensions: G ¼ / G ⅜.

2.3.2 Threaded connection

The extraction valves are self-sealing.

- G ¼ with O-ring
- G ⅜ with Teflon® seal

2.3.3 Compatible components

We recommend to use the model with Easytop fittings. The Easytop actuating unit is retro-compatible with the old extraction valves (article 609092 and 609108).

The actuation unit is compatible with the ¼ and G ⅜ extraction valves.

Please contact the Viega Service Center for questions on this subject.

2.3.4 Technical data

Observe the following operating conditions for the installation of the model:

Operating temperature [T _{max.}]	90 °C
Operating pressure [P _{max.}]	1.6 MPa (16 bar)

2.4 Information for use

2.4.1 Corrosion

Overground pipelines and fittings in rooms do not normally require external corrosion protection.

There are exceptions in the following cases:

- Contact with aggressive building materials such as nitrite or materials containing ammonium
- in aggressive surroundings



Easytop extraction valves made of stainless steel are suitable for all types of potable water.

The chloride concentration in the medium must not exceed a maximum value of 250 mg/l.

This chloride is not a disinfectant, but in fact pertains to the content in sea and table salt (sodium chloride).

3 Handling

3.1 Assembly information

3.1.1 Mounting instructions

The positioning of the extraction valve should take place in accordance with the recommendations of the applicable directives; existing testing or drainage openings on fittings can be used, see [Chapter 2.1 'Standards and regulations'](#) on page 5.

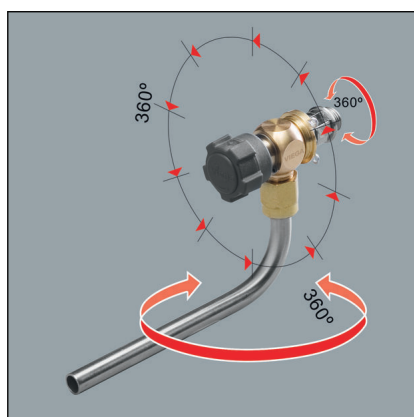


Fig. 1: Extraction valve axes of rotation

The extraction valve can be mounted on various axes of rotation in nearly all positions of a system:

- 360° rotatable outlet pipe
- Base unit rotatable through 360° on the actuation unit
- Positioning of the actuation unit on the extraction valve in 45° increments through 360° possible

Checking system components



Do not remove the model from the packaging until immediately before use.

System components may, in some cases, become damaged through transportation and storage.

- Check all parts.
- Replace damaged components.
- Do not repair damaged components.
- Contaminated components may not be installed.

3.1.2 Required tools

The following tools are required for mounting the model:

- Allen key (size 5) for drain plug on the Easytop fittings
- Open-end spanner (size 15)

3.2 Assembly

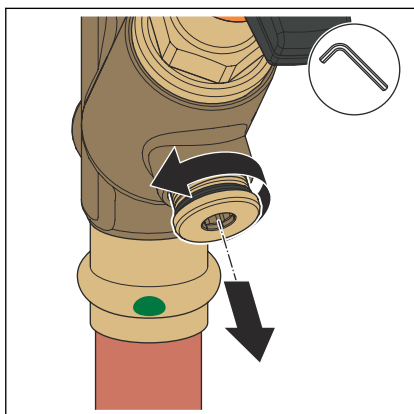
3.2.1 Mounting the extraction valve



Carry out a leak test and a function test on completion of initial fitting.

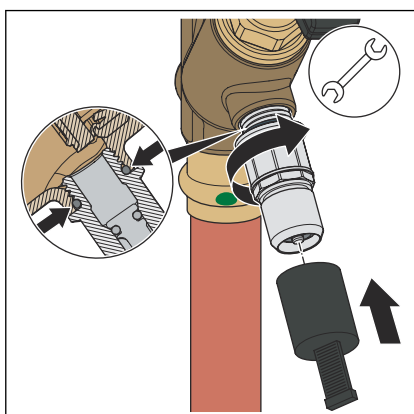
Ensure that the system is depressurised before you mount the extraction valve.

- Unscrew the drain plug with an Allen key (SW 5).

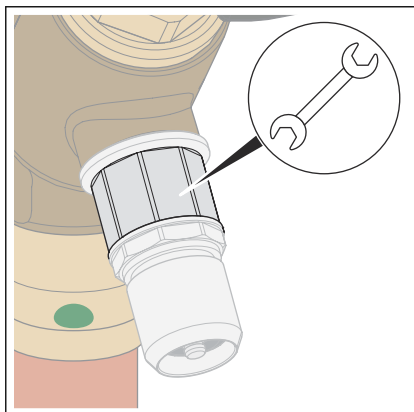


NOTICE! Screw the Teflon® seal of extraction valve G $\frac{3}{8}$ in as far as it will go.

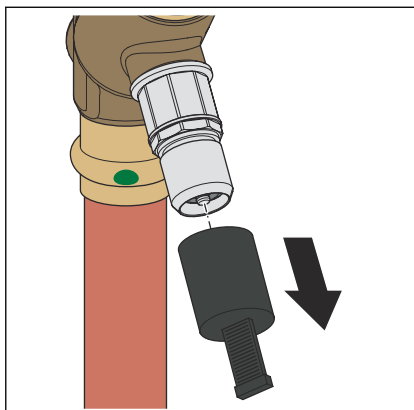
- Screw the extraction valve in with a fork spanner (SW 15).
- Attach the protective cap.



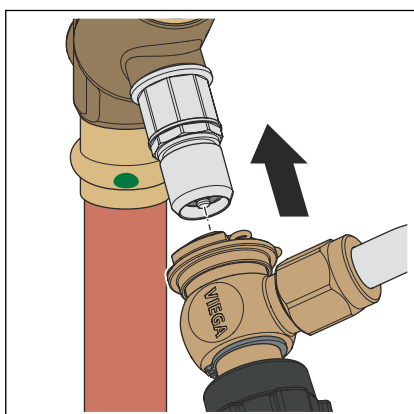
When mounting, place the fork spanner in the rear area of the valve and not on the fixing surface for the actuation unit.



3.2.2 Mounting the actuation unit

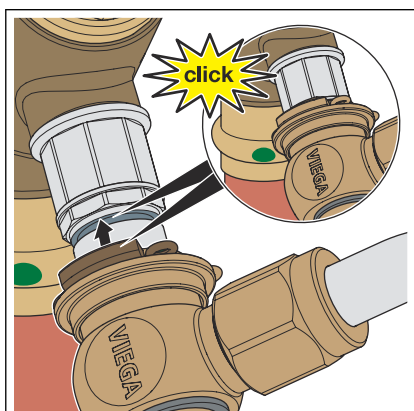


- Remove the protective cap from the extraction valve.



CAUTION! Close the actuation unit before attaching it. Risk of scalding!

- Place the actuation unit onto the extraction valve.



- Attach the actuation unit to the extraction valve. Do this by pushing the sliding sleeve over the holding clamp.

3.2.3 Leakage test

The installer must perform a leakage test before commissioning.

Carry out this test on a system that is finished but not covered yet.

Comply with the general rules of engineering and the applicable directives, see [☞ 'Regulations from section: Leakage test' on page 7.](#)

Document the result.

3.3 Control

3.3.1 Sample extraction

Disinfect outlet pipe



Disinfect or sterilise the outlet pipe every time prior to sampling. Alternatively, you can sterilise the actuation unit in the autoclave.

The actuation unit can also be operated using a bleeding key when the handwheel is removed.

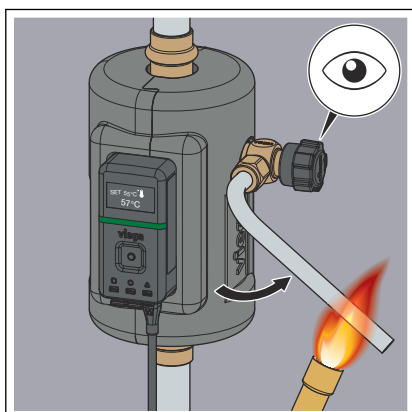
- Thermally or chemically disinfect or sterilise the outlet pipe, e.g. using flame treatment.

In the following, thermal disinfection is explained by way of example using the sampling valve on a circulation control valve.



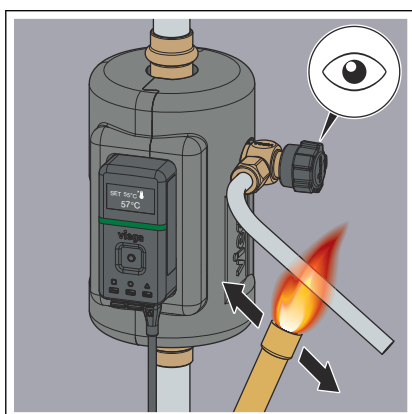
NOTICE!

You might need to remove the handwheel in difficult installation situations prior to flame treatment.



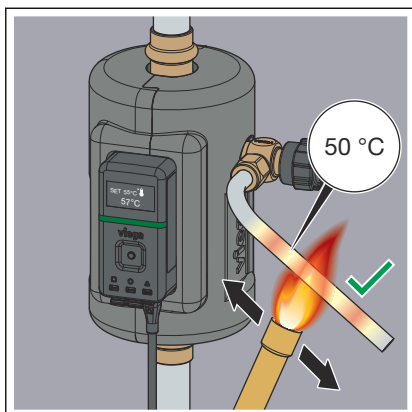
NOTICE! Direct contact of the flame with the electronic circulation control valve and the insulation shell will cause damage. Do not point the flame in the direction of the valve.

- Turn the outlet pipe away from the electronic circulation control valve and the insulation shell.
- Carefully heat the outlet tube with a standard burner (butane / propane burner / soldering flame).

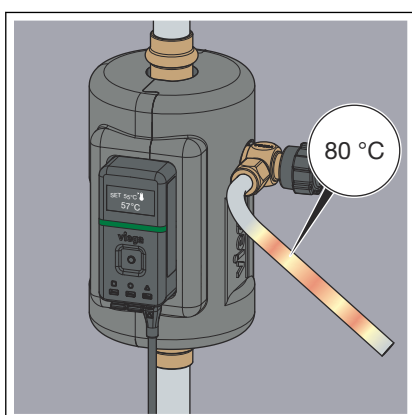


CAUTION! Danger of burns from flame and hot surfaces. Do not touch hot surfaces or naked flames or come into contact with flammable objects.

- For even heating of the outlet tube, pass the flame between the tube bend and the outlet in both directions.

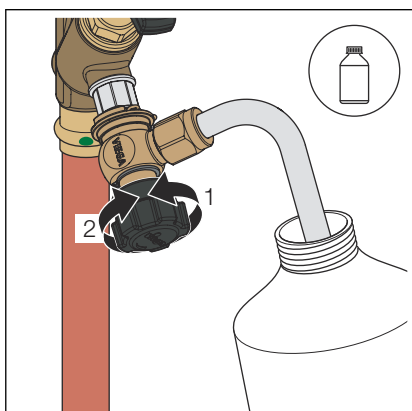


- Heat the tube evenly. If the outlet pipe is heated evenly and the flame is guided carefully, there is no danger of damaging the valve.

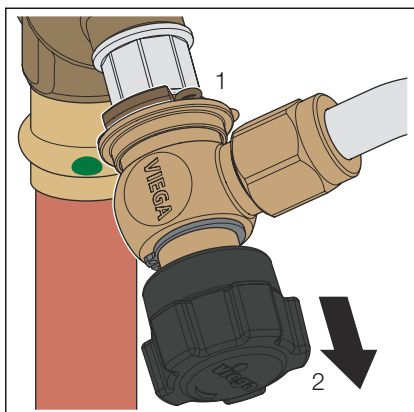


- The outlet pipe should reach a temperature of approx. 80 °C. If the flame is guided evenly along the tube, a temperature of approx. 80 °C is reached after approx. 20-30 seconds with a standard burner.
- Immediately after flaming and opening the sampling valve, a hissing sound should be audible.

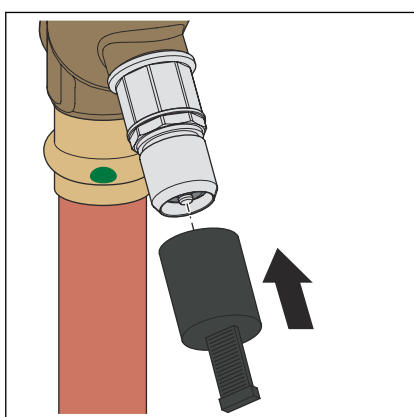
Sample



- Open the valve using the handwheel and extract a water sample.
- After extracting the sample, close the valve using the handwheel.



- Release the sliding sleeve and remove the actuation unit.



- Leave the extraction valve inside the unit and replace the protective cap.

3.3.2 Mounting the signage

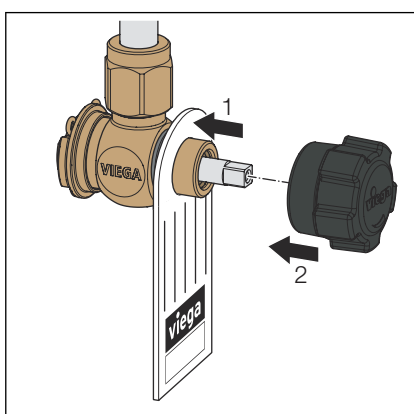


Sampling points must be labelled in such a way as to avoid confusion and in compliance with applicable guidelines, see [Chapter 2.1 'Standards and regulations'](#) on page 5.

The signage (writeable) can be mounted in the following positions:

- behind the removable handwheel
- between extraction valve and protective cap

Signage behind the handwheel

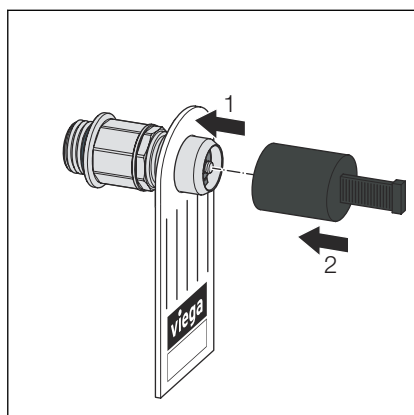


- Remove the handwheel from the actuation unit.
- Attach the signage.
- Re-attach the handwheel.

Signage between extraction valve and protective cap



If the actuation unit is being taken away, attach the signage to the extraction valve.



- Remove the protective cap from the extraction valve.
- Attach the signage.
- Re-attach the protective cap.

3.4 Disposal

Separate the product and packaging materials (e. g. paper, metal, plastic or non-ferrous metals) and dispose of in accordance with valid national legal requirements.



Viega GmbH & Co. KG
service-technik@viega.de
viega.com

INT • 2022-09 • VPN220181

