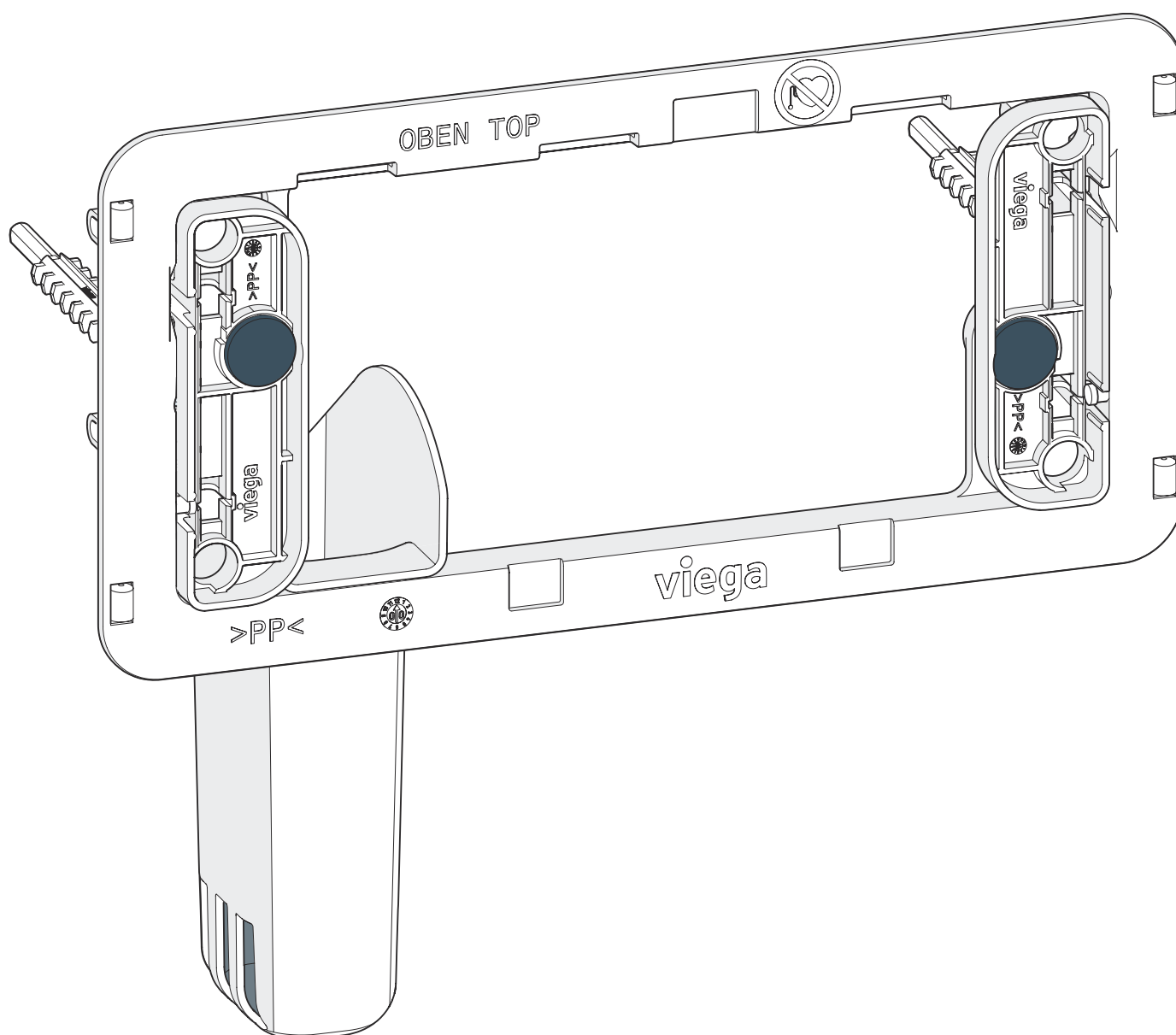


# Instructions for Use

## Tablet holder



for cistern cleaning blocks

**Model**  
8315.9

**Year built (from)**  
01/2017

**viega**

# Table of contents

<b>1</b>	<b>About these instructions for use</b>	<b>3</b>
	1.1 Target groups	3
	1.2 Labelling of notes	3
	1.3 About this translated version	4
<b>2</b>	<b>Product information</b>	<b>5</b>
	2.1 Safety advice	5
	2.2 Intended use	5
	2.2.1 Areas of use	5
	2.3 Product description	6
	2.3.1 Overview	6
<b>3</b>	<b>Handling</b>	<b>7</b>
	3.1 Assembly information	7
	3.1.1 Required material and tools	7
	3.2 Assembly	7
	3.2.1 Mounting the tablet holder	7
	3.3 Use	10
	3.3.1 Using the tablet holder	10
	3.4 Disposal	12

# 1 About these instructions for use

Trade mark rights exist for this document, further information can be found at [viega.com/legal](http://viega.com/legal).

## 1.1 Target groups

The information in this instruction manual is directed at the following groups of people:

- Heating and sanitary professionals and trained personnel
- Operators
- Consumers

It is not permitted for individuals without the abovementioned training or qualification to mount, install and, if required, maintain this product. This restriction does not extend to possible operating instructions.

The installation of Viega products must take place in accordance with the general rules of engineering and the Viega instructions for use.

## 1.2 Labelling of notes

Warning and advisory texts are set aside from the remainder of the text and are labelled with the relevant pictographs.



### **DANGER!**

This symbol warns against possible life-threatening injury.



### **WARNING!**

This symbol warns against possible serious injury.



### **CAUTION!**

This symbol warns against possible injury.



### **NOTICE!**

This symbol warns against possible damage to property.



Notes give you additional helpful tips.

### 1.3 About this translated version

This instruction for use contains important information about the choice of product or system, assembly and commissioning as well as intended use and, if required, maintenance measures. The information about the products, their properties and application technology are based on the current standards in Europe (e. g. EN) and/or in Germany (e. g. DIN/DVGW).

Some passages in the text may refer to technical codes in Europe/Germany. These should serve as recommendations in the absence of corresponding national regulations. The relevant national laws, standards, regulations, directives and other technical provisions take priority over the German/European directives specified in this manual: The information herein is not binding for other countries and regions; as said above, they should be understood as a recommendation.

## 2 Product information

### 2.1 Safety advice



#### **WARNING!**

#### **Risk of malfunction of cardiac pacemakers and implanted defibrillators due to magnets**

The flush plate is fastened to the wall with magnets. Magnets may deteriorate or stop the functions of a cardiac pacemaker, defibrillator or similar implanted devices.

A defibrillator may stop working in the vicinity of magnets.

- If you wear this type of implanted device, keep a distance of at least 10 cm to the installed magnets.
- The operator must ensure that suitable measures have been taken (safety sign, for instance) warning wearers of such devices not to come too close to the installed magnets.

### 2.2 Intended use

#### 2.2.1 Areas of use

The tablet holder is used to feed freshener blocks into the Viega cisterns. The tablet holder is suitable for the concealed cisterns 2H, 2C, 2S and 1F. Only suitable for the flush plate Visign for Style 10, model 8315.1.



#### **NOTICE!**

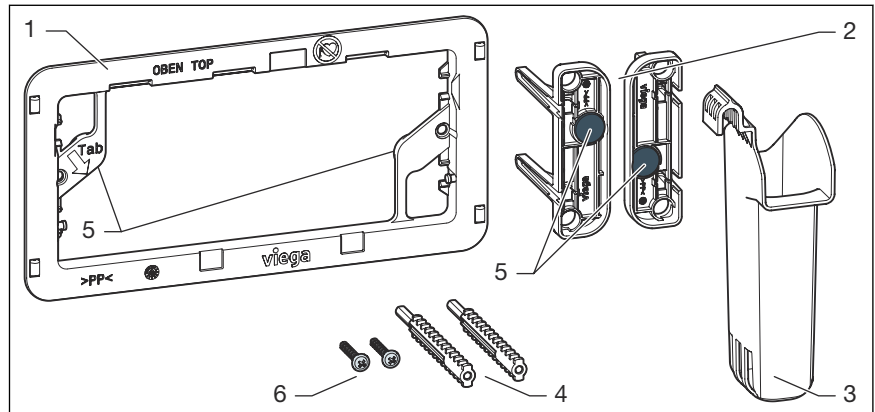
#### **Chlorine and liquid cleaner can impair the function of the cistern.**

Do not use chlorine or liquid cleaner.

- Only use commercially available chlorine-free WC freshener blocks.

## 2.3 Product description

### 2.3.1 Overview



**Fig. 1: Component overview**

- 1 – Base frame
- 2 – Adapter
- 3 – Tablet holder
- 4 – Threaded bolt
- 5 – Magnets
- 6 – Screws

## 3 Handling

### 3.1 Assembly information

#### 3.1.1 Required material and tools

The following material and tools are required for mounting:

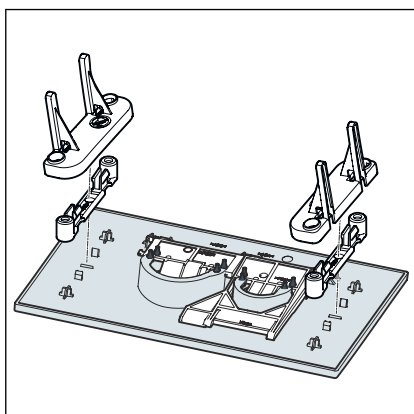
- Flush plate Visign for Style 10, model 8315.1
- Phillips screwdriver
- Knife (cutter)

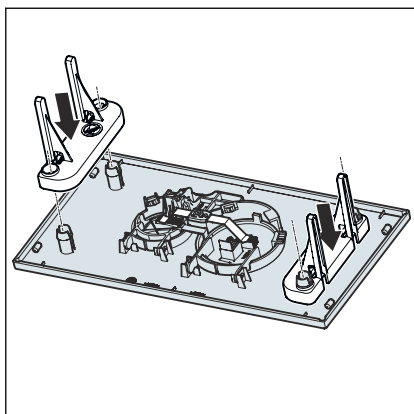
### 3.2 Assembly

#### 3.2.1 Mounting the tablet holder

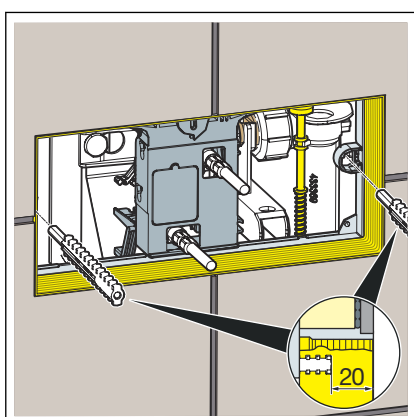
Requirements:

- For new installations: The cistern and flush actuation have been mounted.
- For changing to Visign for Style 10 flush plate: The existing base frame and flush plate have been removed, the mechanical parts in the cistern have been mounted.
- For retrofitting the Visign for Style 10 flush plate: The existing base frame, support and flush plate have been removed. Retain the flush plate and the support.
- Push the adapter and the fastener brackets onto the flush plate (if using Visign for Style 10, until 06/2007).

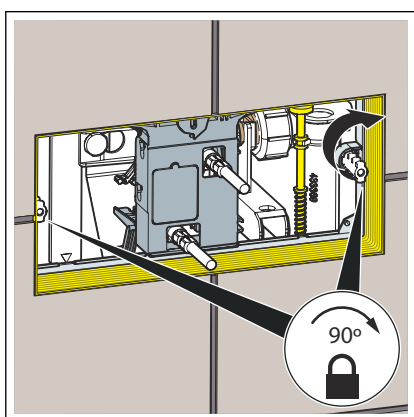




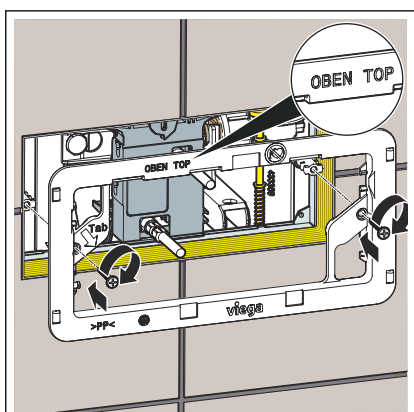
- Push the adapter onto the flush plate (if using Visign for Style 10, from 07/2007).



- Insert the threaded bolts so deep that the upper edge of the threaded bolt sticks out max. 20 mm behind the wall surface.

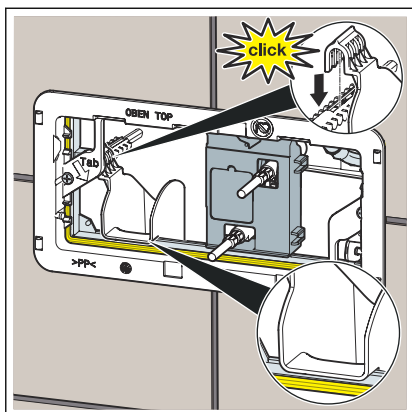


- Fasten the threaded bolts with a 90° turn.



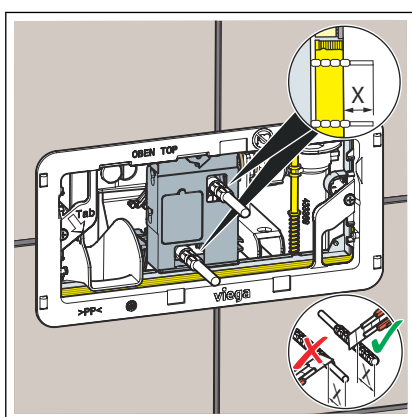
- Insert the base frame.  
**INFO! Mind the mark "Top".**
- Use the screwdriver to screw the base frame down hand-tight without distorting the base frame.



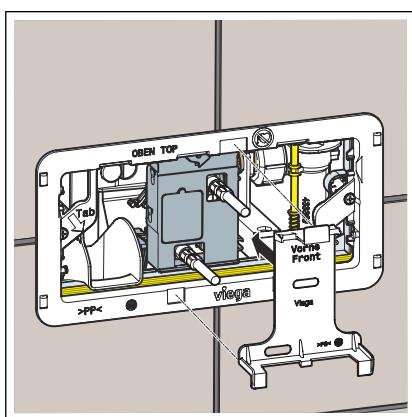


- Insert the tablet holder from the front.
- Place the tablet holder on the threaded bolt.

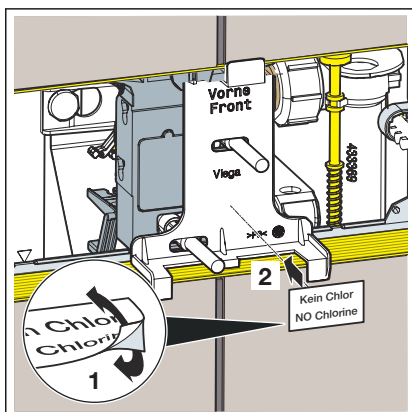
**INFO!** Push the tablet holder until you feel it lock in place on the opening of the cistern.



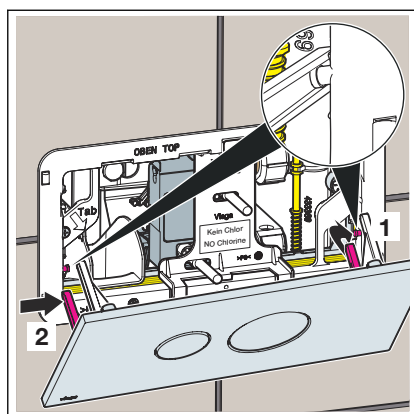
- Adjust the actuating rods flush with the base frame.
- If necessary, use a cutting knife to cut the actuating rods to length at the thread.



- Insert the support in the base frame.



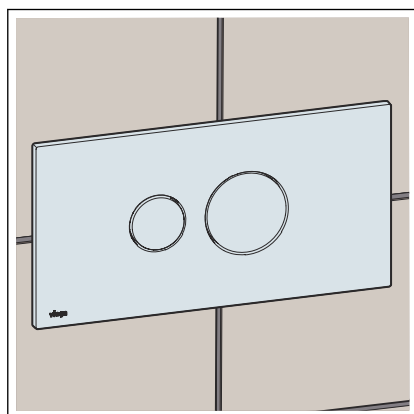
- Attach the sticker "No chlorine" to the support.



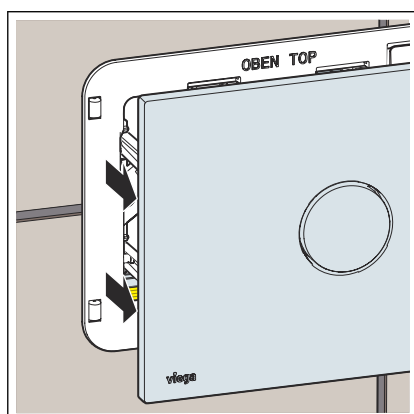
- Lightly press the bottom guide rails inwards.
- Place the guide rails one after the other on the guide points of the base frame.
- Lift the flush plate and align it in such a way that the top guide rails are guided through the cutouts in the base frame.
- Use both your hands to place the flush plate.

### 3.3 Use

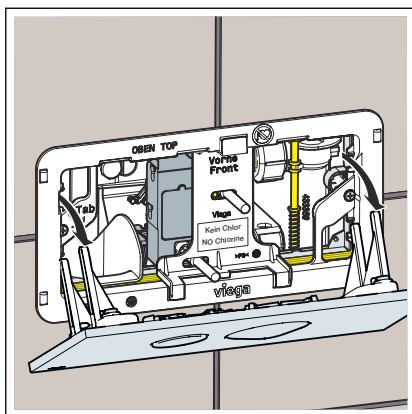
#### 3.3.1 Using the tablet holder



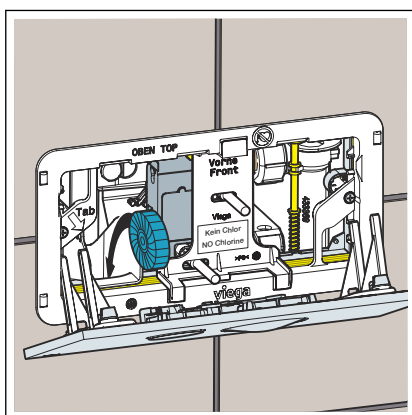
- The flush plate has been installed.



- Use both your hands to pull the flush plate forward to remove it.

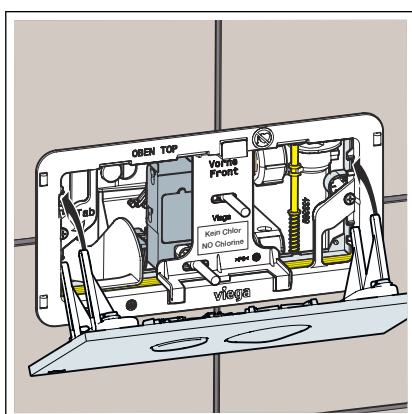


➤ Remove the flush plate.

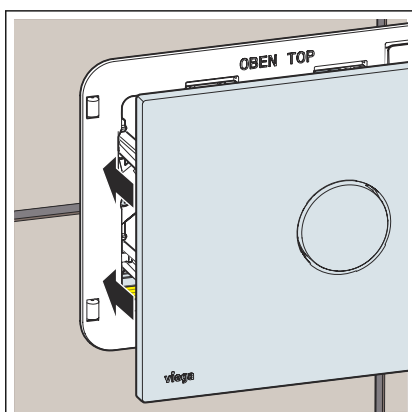


➤ Feed the freshener block into the tablet holder.

**NOTICE!** Do not use liquid cleaner.



➤ Use both your hands to raise the flush plate.



➤ Replace the flush plate.

## 3.4 Disposal

Separate the product and packaging materials (e. g. paper, metal, plastic or non-ferrous metals) and dispose of in accordance with valid national legal requirements.



**Viega GmbH & Co. KG**  
service-technik@viega.de  
viega.com

INT • 2022-08 • VPN170087

