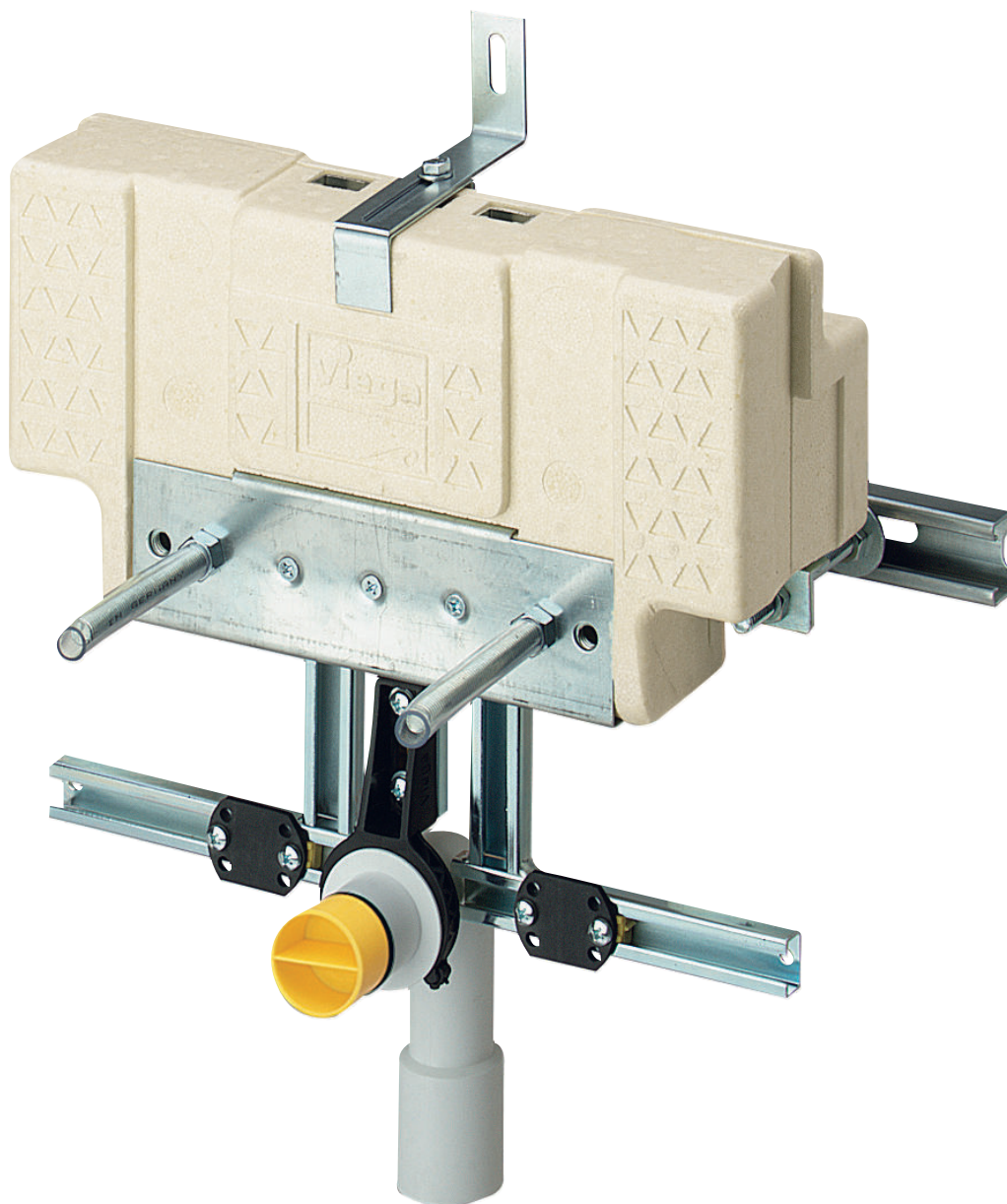


Instructions for Use

Viega Mono bidet block



Model
8317

Year built (from)
02/2000

viega

Table of contents

1	About these instructions for use	3
	1.1 Target groups	3
	1.2 Labelling of notes	3
	1.3 About this translated version	4
2	Product information	5
	2.1 Intended use	5
	2.1.1 Areas of use	5
	2.2 Product description	5
	2.2.1 Overview	5
	2.2.2 Compatible components	6
	2.2.3 Sound protection	6
	2.3 Required accessories	6
3	Handling	7
	3.1 Assembly information	7
	3.1.1 Mounting conditions	7
	3.1.2 Installation dimensions	7
	3.1.3 Required tools and materials	8
	3.2 Assembly	9
	3.2.1 Mounting the Viega Mono	9
	3.3 Disposal	11

1 About these instructions for use

Trade mark rights exist for this document; for further information, go to viega.com/legal.

1.1 Target groups

The information in this instruction manual is directed at the following groups of people:

- Heating and sanitary professionals and trained personnel

It is not permitted for individuals without the abovementioned training or qualification to mount, install and, if required, maintain this product. This restriction does not extend to possible operating instructions.

The installation of Viega products must take place in accordance with the general rules of engineering and the Viega instructions for use.

1.2 Labelling of notes

Warning and advisory texts are set aside from the remainder of the text and are labelled with the relevant pictographs.



DANGER!

This symbol warns against possible life-threatening injury.



WARNING!

This symbol warns against possible serious injury.



CAUTION!

This symbol warns against possible injury.



NOTICE!

This symbol warns against possible damage to property.



Notes give you additional helpful tips.

1.3 About this translated version

This instruction for use contains important information about the choice of product or system, assembly and commissioning as well as intended use and, if required, maintenance measures. The information about the products, their properties and application technology are based on the current standards in Europe (e. g. EN) and/or in Germany (e. g. DIN/DVGW).

Some passages in the text may refer to technical codes in Europe/Germany. These should serve as recommendations in the absence of corresponding national regulations. The relevant national laws, standards, regulations, directives and other technical provisions take priority over the German/European directives specified in this manual: The information herein is not binding for other countries and regions; as said above, they should be understood as a recommendation.

2 Product information

2.1 Intended use

2.1.1 Areas of use

The Viega Mono bidet block is suitable for mounting of wall-mounted bidets and for walling in or around. The model 8317 is equipped with height-adjustable mounting brackets for cold and hot water connection and a wastewater connection.

2.2 Product description

2.2.1 Overview

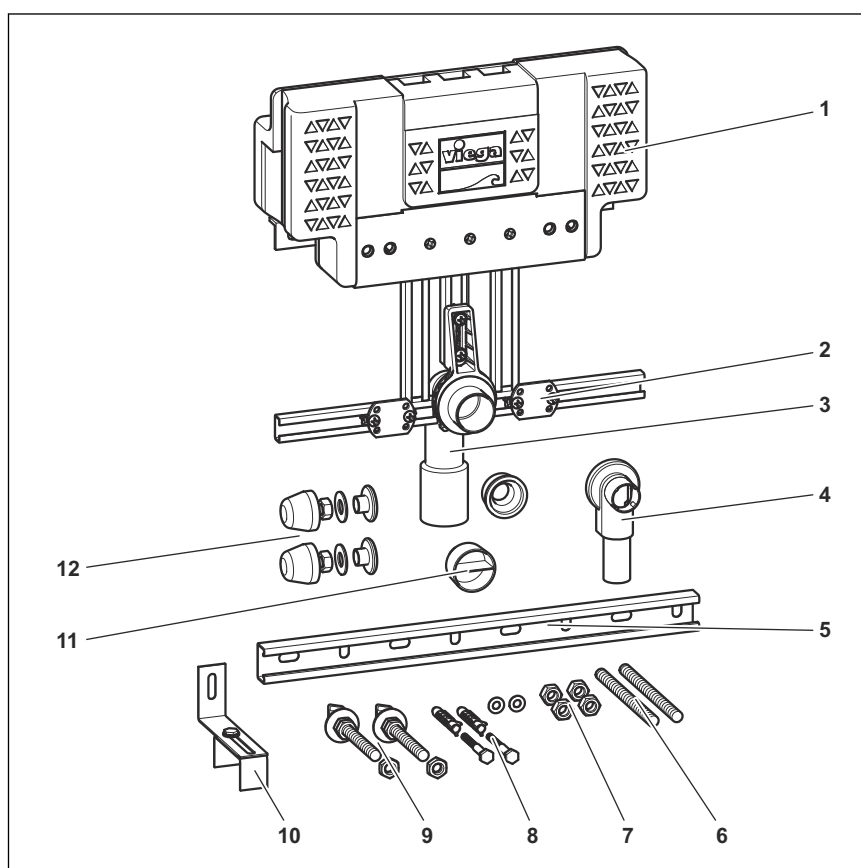


Fig. 1: Components

- 1 Viega Mono bidet pre-wall block
- 2 Fixing rail for wall plates with two rubber panels for the sound-protective fixing of the wall plates
- 3 Drain elbow DN 40/DN 50, seal for drain elbow
- 4 Protective collar
- 5 Mounting rail
- 6 Fixing material: threaded rods

- 7 Fixing material: hexagonal nuts
- 8 Fixing material: dowels and screws
- 9 Fixing material: threaded rods
- 10 Mounting angles for wall mounting
- 11 Protective plug
- 12 mounting set

2.2.2 Compatible components

The Viega Mono bidet block is compatible with common WC ceramic types. Fixing material for the bidet block and the ceramic is comprised in the scope of delivery.

The following compatible components can be used for extensions:

- Viega Mono mounting set, model 8310.5
- Viega Mono standing bracket, model 8310.45

2.2.3 Sound protection

Sound and site protection through EPS

The compact casing of the Viega Mono product series consist of expanded polystyrene (EPS). This material offers effective sound protection and serves as render base.

Sound-protective fixing

The rubber panels on the fixing rail for wall plates allow a sound-protective fixing.

2.3 Required accessories

Wall plates

You require wall plates for the cold and hot water inlet to be able to connect the bidet block onto the potable water installation.

3 Handling

3.1 Assembly information

3.1.1 Mounting conditions

Construction height

With the construction height, the marked height of the upper edge of the finished floor (UEFFL) must be observed.

Suitable walls

The Viega Mono bidet block may only be mounted on even wall surfaces (masonry or concrete).

3.1.2 Installation dimensions

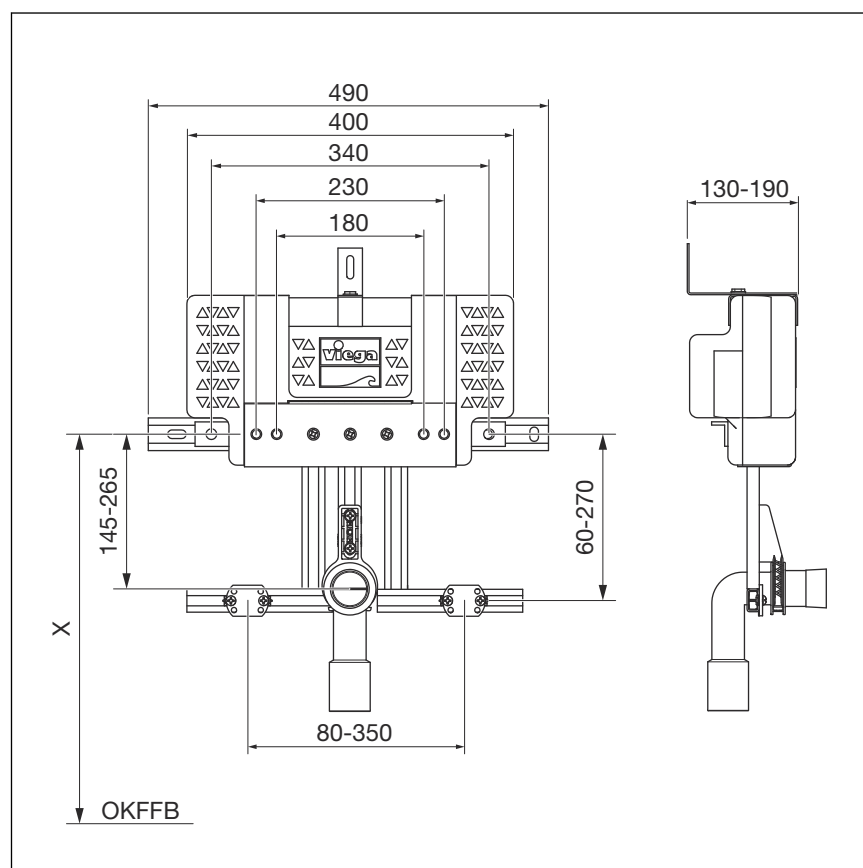


Fig. 2: Dimensional drawing

3.1.3 Required tools and materials

Required tools

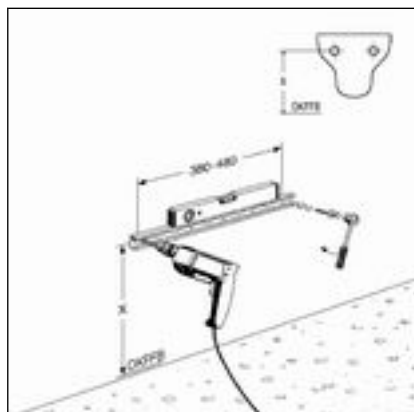
The following tools are required for mounting:

- Drill with 10 mm drill bit
- Fork or ring spanner, size 13 and size 17
- Ratchet with sockets, 13 and 17 mm
- screwdriver
- Spirit level

3.2 Assembly

3.2.1 Mounting the Viega Mono

Mounting the rails



INFO! Fixing height of the bidet ceramic The fixing height of the bidet ceramic is the drill hole height for rail mounting.

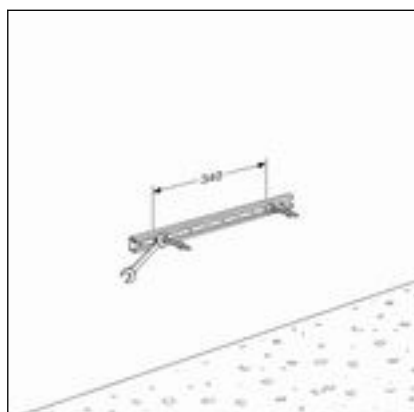
► Determine drill hole (height X from UEFFL) height for the mounting rail.

► Position the mounting rail with a spirit level and draw in drill holes.

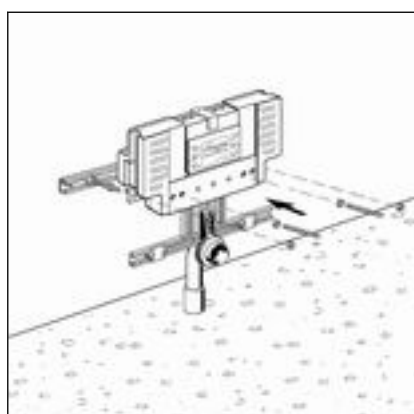
Observe drill hole interval:

- The minimum interval is 380 mm.
- The maximum interval is 480 mm.

► Drill holes and screw on mounting rail.

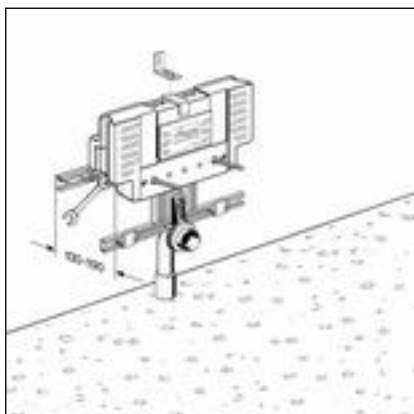


► Tighten the threaded bolts from the bidet block at intervals of 340 mm from each other, measured from the middle of each threaded bolt.



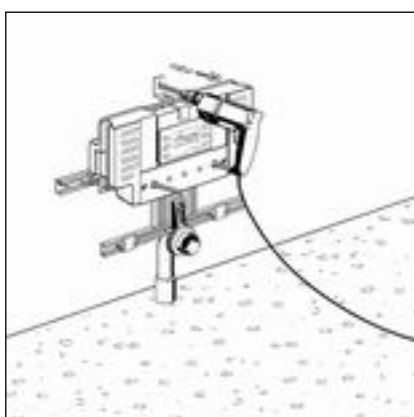
► Position the bidet block and attach using the threaded nuts supplied.

► Screw threaded bolts for bidet ceramic into the block.

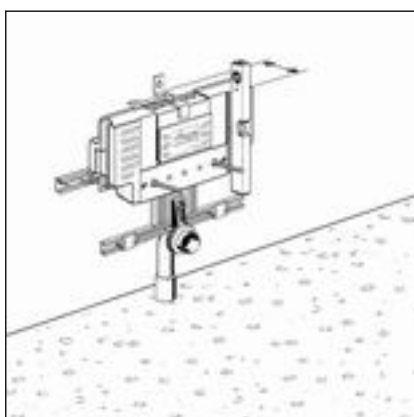


INFO! Minimum installation depth of the Viega Mono bidet block is 130 mm.

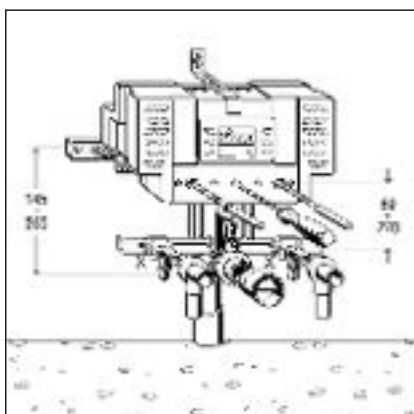
- Adjust and fix the Viega Mono bidet block to the desired installation depth (130 mm up to 190 mm) using a fork spanner.



- Fit mounting angle, align using spirit level and draw in drill hole.
- Drill hole with 10 mm drill bit.
- Screw on mounting angle.

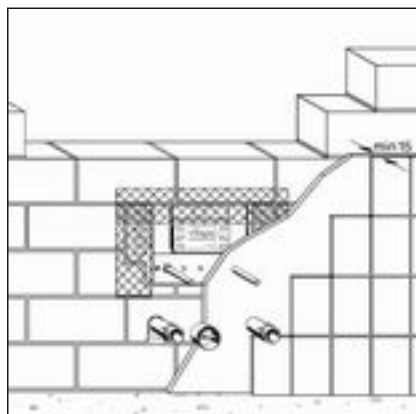


- Align Viega Mono bidet block with a spirit level and attach with a fork spanner (size 13).



INFO! The wall plates are required for mounting (not included in the scope of delivery).

- Determine the position (X) for the cold and hot water inlets:
The position of the drain elbow and of the connections for the cold and hot water connection must be suitable for the sanitary object being used. Obtain the necessary information from the manufacturer's documentation for the bidet ceramic.
- Set the height on the rail intended for the connection.
- Mount wall plates for the cold and hot water inlet.
- Determine the position for the drain elbow.
- Mount drain.



- Wall in Viega Mono bidet block.
- Plaster the walls with a covering at least 15 mm thick and tile.

3.3 Disposal

Separate the product and packaging materials (e. g. paper, metal, plastic or non-ferrous metals) and dispose of in accordance with valid national legal requirements.



Viega GmbH & Co. KG
service-technik@viega.de
viega.com

INT • 2022-08 • VPN140561

