

Instructions for Use

Viega Eco Plus sink basin element



for Keramag sink basin model 201680,
sink basin for faeces, flush plates Visign

Model
8171

Year built (from)
12/2011

viega

Table of contents

1	About these instructions for use	3
	1.1 Target groups	3
	1.2 Labelling of notes	3
	1.3 About this translated version	4
2	Product information	5
	2.1 Standards and regulations	5
	2.2 Intended use	5
	2.2.1 Areas of use	5
	2.3 Product description	6
	2.3.1 Overview	6
	2.3.2 Compatible components	6
	2.3.3 Sound protection	8
	2.3.4 Technical data	8
	2.4 Accessories	9
3	Handling	10
	3.1 Assembly information	10
	3.1.1 Mounting conditions	10
	3.1.2 Installation dimensions	10
	3.1.3 Required tools	11
	3.2 Assembly	11
	3.2.1 Mounting the element	11
	3.2.2 Setting the flush volume	15
	3.2.3 Connecting concealed cistern	16
	3.3 Disposal	20

1 About these instructions for use

Trade mark rights exist for this document, further information can be found at viega.com/legal.

1.1 Target groups

The information in this instruction manual is directed at the following groups of people:

- Heating and sanitary professionals and trained personnel
- Consumers

It is not permitted for individuals without the abovementioned training or qualification to mount, install and, if required, maintain this product. This restriction does not extend to possible operating instructions.

The installation of Viega products must take place in accordance with the general rules of engineering and the Viega instructions for use.

1.2 Labelling of notes

Warning and advisory texts are set aside from the remainder of the text and are labelled with the relevant pictographs.



DANGER!

This symbol warns against possible life-threatening injury.



WARNING!

This symbol warns against possible serious injury.



CAUTION!

This symbol warns against possible injury.



NOTICE!

This symbol warns against possible damage to property.



Notes give you additional helpful tips.

1.3 About this translated version

This instruction for use contains important information about the choice of product or system, assembly and commissioning as well as intended use and, if required, maintenance measures. The information about the products, their properties and application technology are based on the current standards in Europe (e. g. EN) and/or in Germany (e. g. DIN/DVGW).

Some passages in the text may refer to technical codes in Europe/Germany. These should serve as recommendations in the absence of corresponding national regulations. The relevant national laws, standards, regulations, directives and other technical provisions take priority over the German/European directives specified in this manual: The information herein is not binding for other countries and regions; as said above, they should be understood as a recommendation.

2 Product information

2.1 Standards and regulations

The following standards and regulations apply to Germany / Europe. National regulations can be found on the relevant web site of your country at viega.com/standards.

Regulations from section: Fields of application / Mounting conditions

Scope / Notice	Regulations applicable in Germany
suitable masonry walls	EN 1996-1-1
suitable concreted walls	DIN 1045
suitable support profiles	DIN 18183

Regulations from section: Sound protection

Scope / Notice	Regulations applicable in Germany
Fulfilled noise protection requirements	DIN 4109
Fulfilled noise protection requirements	DIN 4109 (additional sheet 2)
Fulfilled noise protection requirements	VDI 4100 SSt I-SSt II

2.2 Intended use

2.2.1 Areas of use

The Viega Eco Plus sink basin element is suitable for mounting on masonry wall constructions and stud frames pursuant to the regulations in section ↗ 'Regulations from section: Fields of application / Mounting conditions' on page 5.

2.3 Product description

2.3.1 Overview

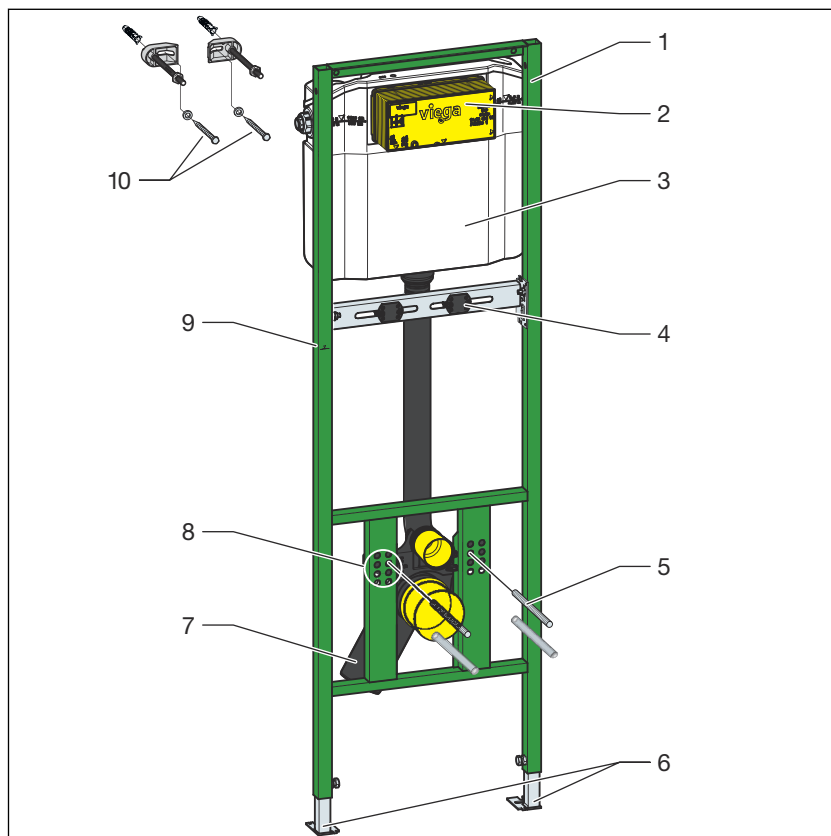


Fig. 1: Components

- 1 - Viega Eco Plus element
- 2 - revision shaft
- 3 - cistern
- 4 - fitting holders
- 5 - sanitary object fixing set
- 6 - adjustable feet
- 7 - drain elbow
- 8 - Fixing heights for the WC ceramic
- 9 - Installation height marking
- 10 - fixing set

2.3.2 Compatible components

The shower element is compatible with the Keramag sink basin model 201680.

Drain valve set

The drain valve set is suitable for the conversion to a flush plate from the Visign for Style or Visign for More series. The drain valve set consists of the drain valve with drain valve seat and bow, an actuating mechanism (dual-flush function) and an actuating rod set. The new fixing panel can be used after the installation of the drain valve set.

Compatible flush plates

Product	Name	Model
Standard	Flush plate Standard 1	8180.1
Visign for Style	Flush plate Visign for Style 10	8315.1
	Flush plate Visign for Style 11	8331.1
	Flush plate Visign for Style 12	8332.1
	Flush plate Visign for Style 12	8332.4
	Flush plate Visign for Style 13	8333.1
	Flush plate Visign for Style 14	8334.1
	Functional unit	8332.3
	Visign for More	Flush plate Visign for More 100
Flush plate Visign for More 101		8351.1
Flush plate Visign for More 102		8353.1
Flush plate Visign for More 103		8355.1
Flush plate Visign for More 104		8354.1
Visign for Care sensitive	Flush plate sensitive Visign for Care	8352.21
Visign for More sensitive	Flush plate sensitive Visign for More 100	230 V 8352.11
	Flush plate sensitive Visign for More 100	6.5 V 8352.12
	Flush plate sensitive Visign for More 103	230 V 8355.11
	Flush plate sensitive Visign for More 103	6.5 V 8355.12

Product	Name	Model
Visign for Public	Flush plate Visign for Public 1	8326.1
	Flush plate Visign for Public 2	8327.1
	Flush plate Visign for Public 5	8326.16
	Flush plate Visign for Public 6	8326.15
	Remote actuation Visign for Public 1	8326.21
	Cover plate Visign for Public	8326.9

2.3.3 Sound protection

The sink basin element complies with the noise insulation requirements specified in section [↗](#) 'Regulations from section: Sound protection' on page 5.

2.3.4 Technical data

The product has the following technical data:

Connection elbow	DN 90 (depth-adjustable), made of PP
Adapter	eccentric DN 90/100 made of PP
Fitting connection, pre-mounted corner valve on left	Rp ½

cistern	Concealed cistern 2H	Concealed cistern, actuation from front
Small flush volume	Factory setting	approx. 3 l
	Setting range	approx. 3–4 l
Large flush volume	Factory setting	approx. ca. 6 l
	Setting range	approx. 6–9 l

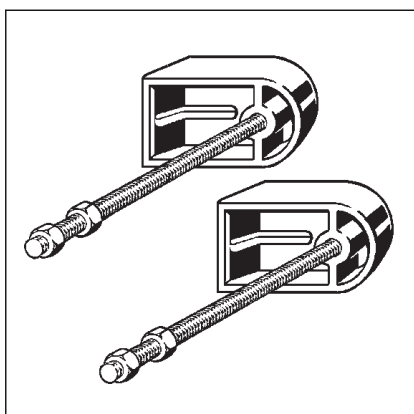
Immediate re-flushing is possible at the factory settings.

2.4 Accessories

Required accessories



Keramag Espital sink, wall-hung, 6 L with stainless steel folding grate, 490 mm projection



The fixing set model 8173 is required to secure.

Optional accessories

A wall-mounted fitting is recommended for hygienic cleaning or the filling of containers.

3 Handling

3.1 Assembly information

3.1.1 Mounting conditions

Suitable walls

The element is suitable for mounting on masonry wall constructions and support profiles pursuant to the regulations in section ↪ 'Regulations from section: Fields of application / Mounting conditions' on page 5.

The element may only be mounted on even wall surfaces.

Construction height

With the construction height, the marked height of the upper edge of the finished floor must be observed.

3.1.2 Installation dimensions

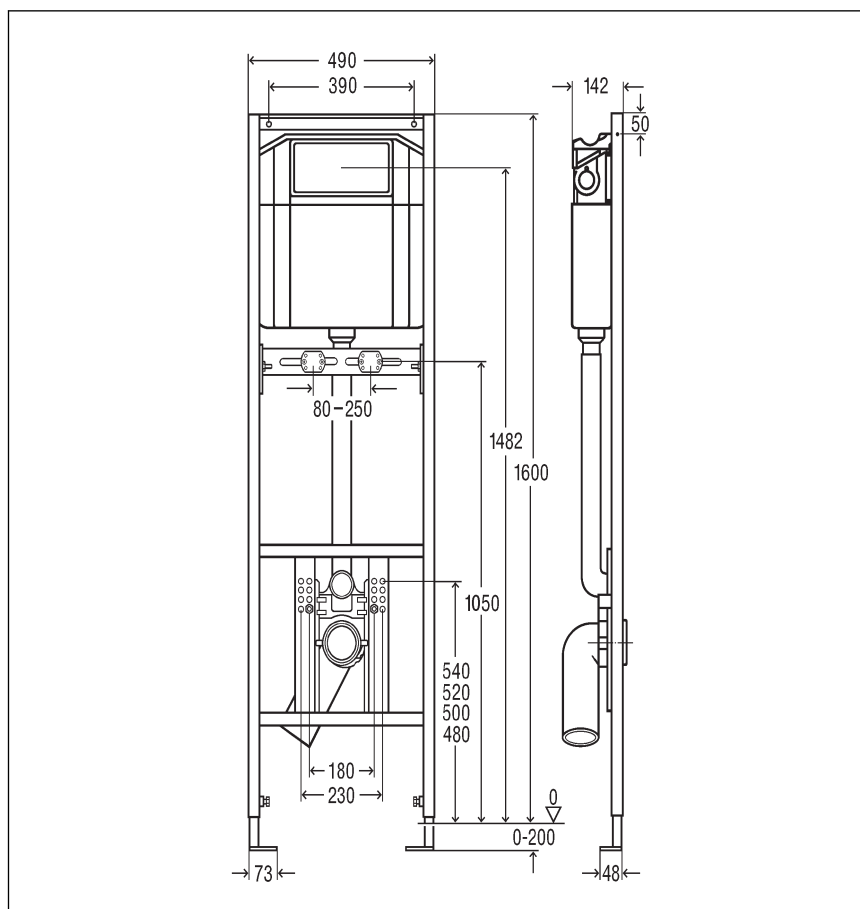


Fig. 2: Dimensions

3.1.3 Required tools

The following tools are required for mounting the sink basin element:

- drill with 10 mm drill bit
- ratchet with sockets: 13 mm / 17 mm
- fork or ring spanner: 13 mm / 17 mm

3.2 Assembly

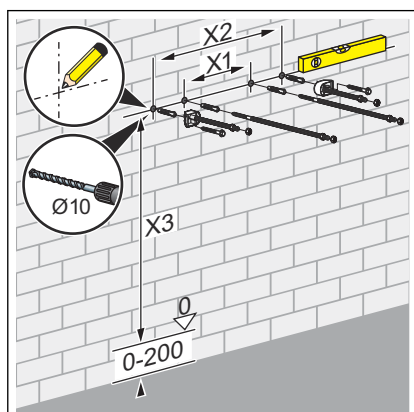
3.2.1 Mounting the element

Masonry wall



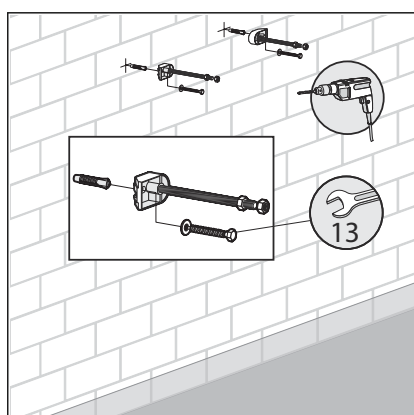
Masonry and concreted walls

You should use a support bracket (model 8165) when mounting multiple sink basin elements with an interval of > 490 mm. Observe the instructions for use of the support bracket when mounting.



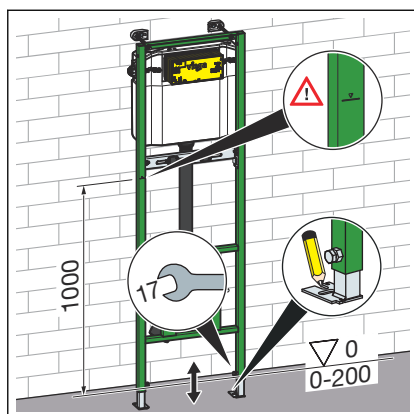
► Determine and mark fixing points.

- X1: 390 mm (model 8180.73)
- X2: 440 mm (model 8173)
- X3: 1600 mm



► Drill holes.

► Mount the fixing set with the fork spanner (size 13).

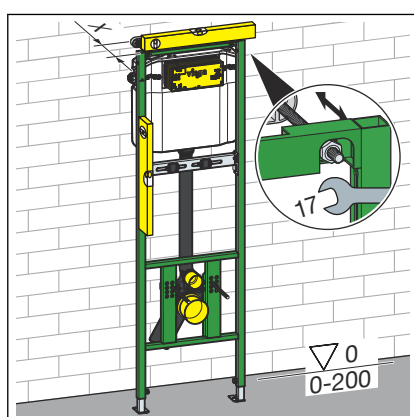


- Align height of element.

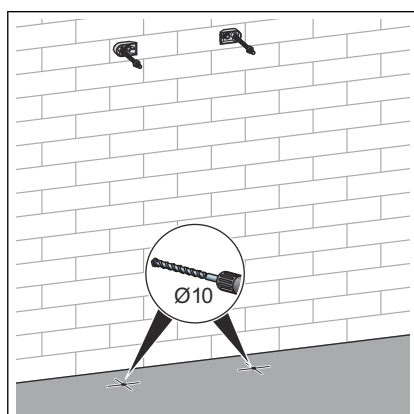
Whilst doing so, observe the markings on the element.

Determine construction height in accordance with the on-site marking of the upper edge of the finished floor.

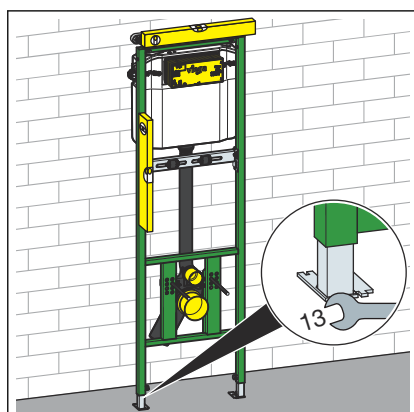
INFO! The construction height must be determined exactly. There are only limited possibilities available to remedy errors made during this assembly step, see 'Construction height' on page 10.



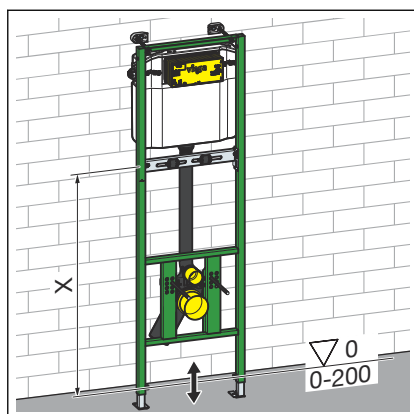
- Set the installation depth of the element with the fork spanner (size 17).



- Remove WC element and drill floor holes.

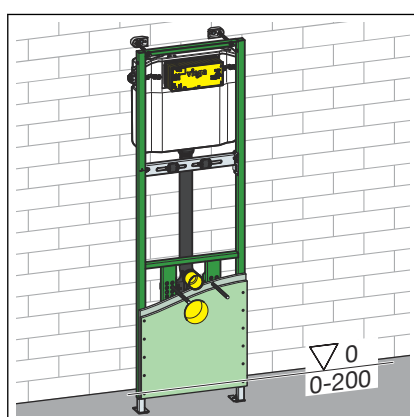


- Attach element to the floor using the fork spanner (size 13) and the screws and dowels supplied.



- Set height of the crossbeam.

The crossbeam aids the installation of the wall-mounted fitting.

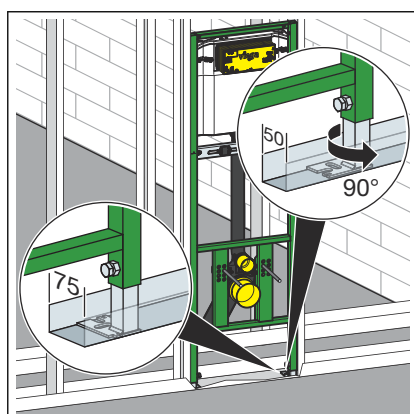


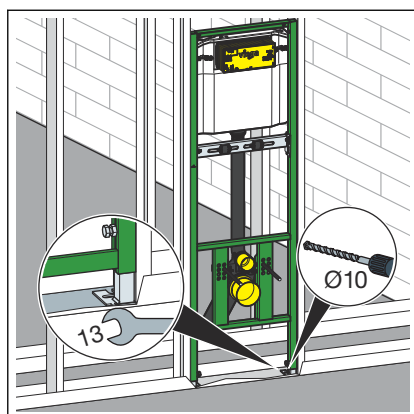
- Double-clad element (2 x 12.5 mm).

Mounting in on-site support profile

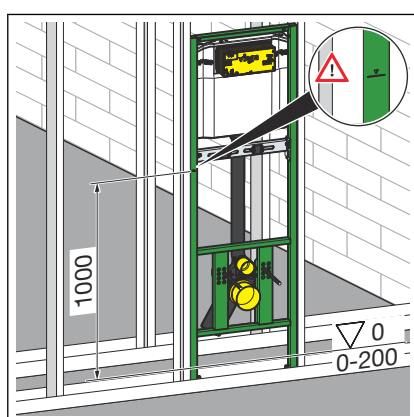
The element can be inserted into the 50 mm and 75 mm support profiles.

- Determine the fixing points.
- Align element.
- If necessary, adjust the pre-mounted foot depth from 75 mm to 50 mm: Pull out foot and turn by 90°.





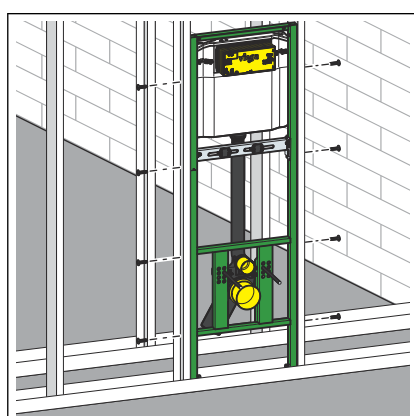
- Attach element to the floor using the fork spanner (size 13) and the screws and dowels supplied.



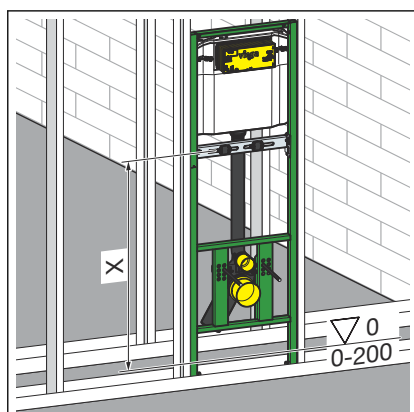
- Determine construction height in accordance with the on-site marking of the upper edge of the finished floor.
- Align height of element.

Whilst doing so, observe the markings on the element.

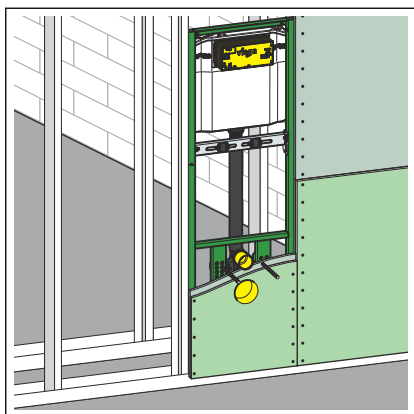
INFO! The construction height must be determined exactly. There are only limited possibilities available to remedy errors made during this assembly step, ↪ 'Construction height' on page 10.



- Screw element together laterally with the support profiles.
- Make water connections.



- Set height of the crossbeam.
The crossbeam aids the installation of the wall-mounted fitting.



- ▶ Double-clad element (2 x 12.5 mm).

3.2.2 Setting the flush volume

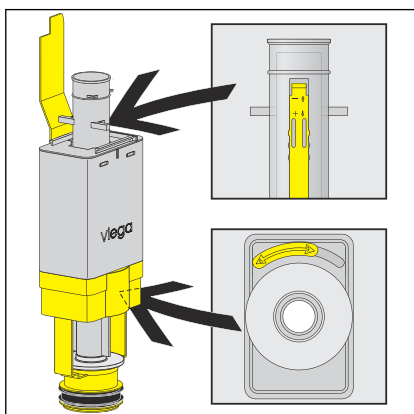


Immediate re-flushing of the flush volume is possible at the factory settings.

Small flush volume

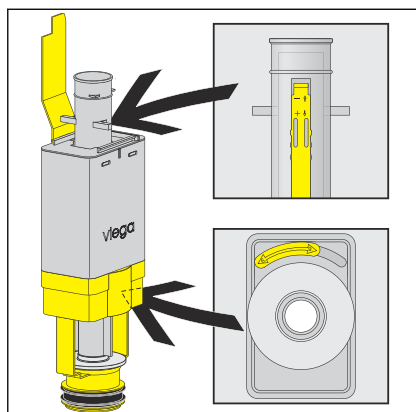
The sink basin element is factory-set at a small flush volume of approx. 3 l. The small flush volume can be set continuously from approx. 3 l up to approx. 4 l.

- ▶ Remove the drain valve from the concealed cistern.
- ▶ Push the slide control on the side of the overflow pipe to the desired small flush volume:
 - Top position: approx. 3 l
 - Bottom position: approx. 4 l



Large flush volume

The sink basin element is factory-set at a large flush volume of approx. 6 l. The large flush volume can be set continuously from approx. 6 l up to approx. 9 l.



- Remove the drain valve from the concealed cistern.
- Push the slide control below the drain valve to the desired large flush volume:
 - left: approx. 6 l
 - right: approx. 9 l

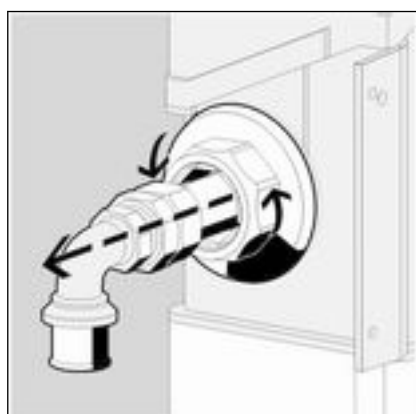
3.2.3 Connecting concealed cistern

Laterally extricable water connection

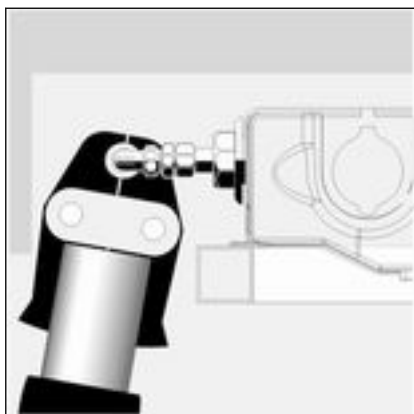
If there is not enough space when pressing the water connection, the water connection can be pulled out to the side.



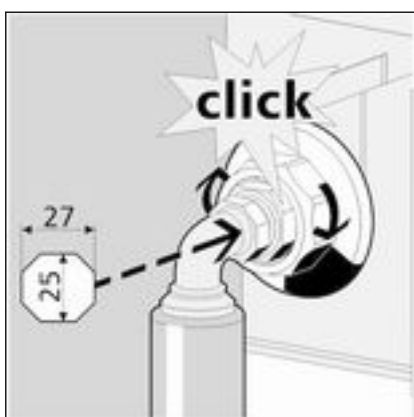
- Screw the ½ inch connector into the wall lead-in.
Counter with a fork spanner (SW 27).



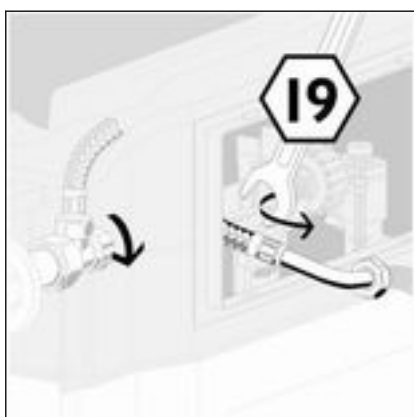
- Loosen plastic union nut.
- Pull out wall lead-in.



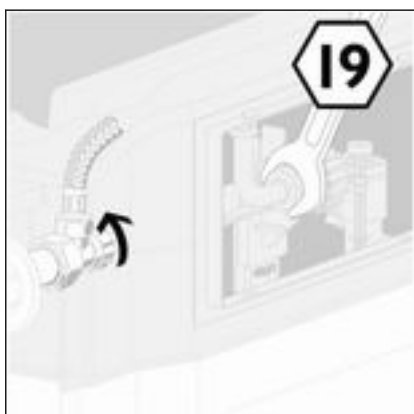
- Press connection.



- Push wall lead-in back into the plastic clamp.
The position of the key surface (SW 25) must be up or down.
The clicking into the groove signals the correct position.
- Re-tighten the union nut.

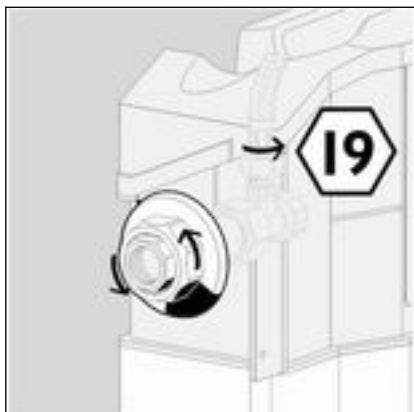


- Loosen (SW 19) flexible hose onto the filling valve.
- Open corner valve.
- Flush pipeline.

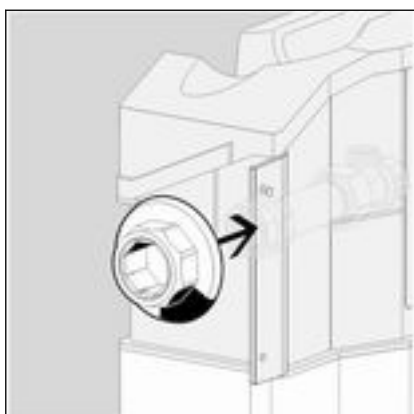


- Close corner valve.
- Re-mount (SW 19) the flexible hose onto the filling valve.

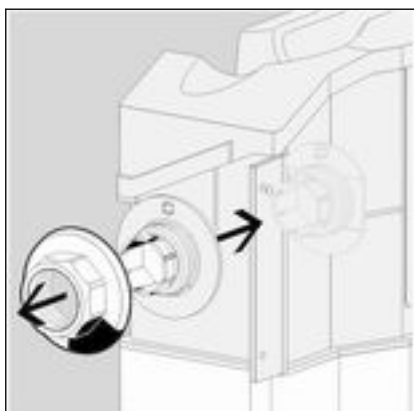
Conversion water connection upwards (optional)



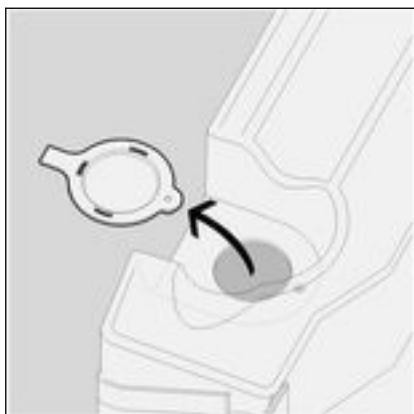
- Loosen (SW 19) flexible hose onto the corner valve.
- Unscrew plastic union nut.



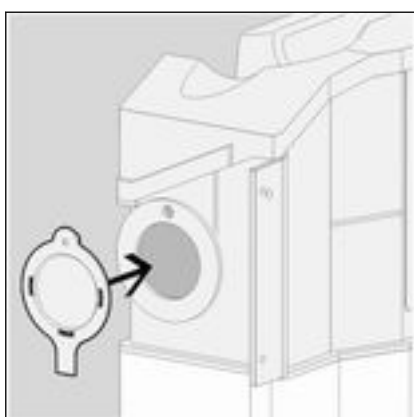
- Pull the corner valve inwards out of the wall lead-in.



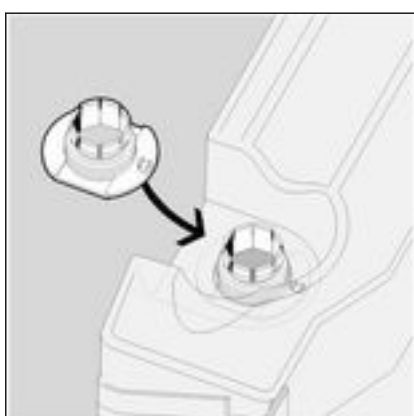
- Remove plastic union nut.
- Remove the wall lead-in inwards.



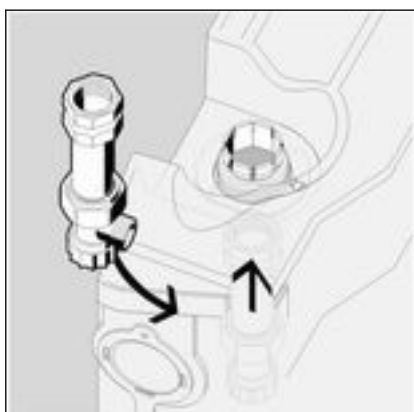
► Loosen the closing cap on the left-hand upper side of the concealed cistern.



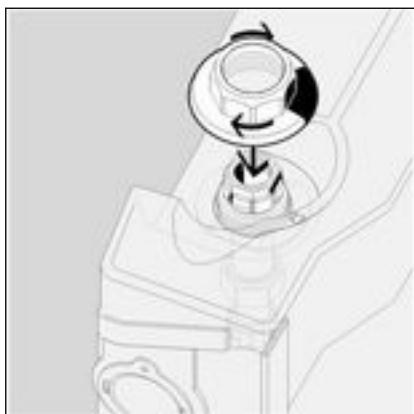
► Close opening on the side with the closing cap.



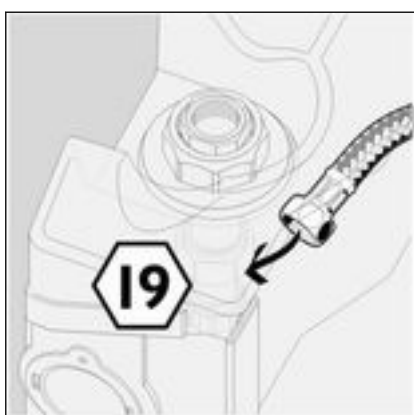
► Push wall lead-in from inside into the upper opening.



► Insert the corner valve back into the wall lead-in.



► Screw plastic union nut back onto wall lead-in.



► Re-mount (SW 19) the flexible hose onto the corner valve.

3.3 Disposal

Separate the product and packaging materials (e. g. paper, metal, plastic or non-ferrous metals) and dispose of in accordance with valid national legal requirements.



Viega GmbH & Co. KG
service-technik@viega.de
viega.com

INT • 2022-08 • VPN170232

