

## Instructions for Use

# Viega Eco Plus WC element



for floor standing WC, baby or child-WC

**Model**  
8161.15

**Year built (from)**  
01/2013

**viega**

# Table of contents

|          |   |          |
|----------|---|----------|
| <b>1</b> | <b>About these instructions for use</b>     | <b>3</b> |
|          | 1.1 Target groups                           | 3        |
|          | 1.2 Labelling of notes                      | 3        |
|          | 1.3 About this translated version           | 4        |
| <b>2</b> | <b>Product information</b>                  | <b>5</b> |
|          | 2.1 Standards and regulations               | 5        |
|          | 2.2 Intended use                            | 5        |
|          | 2.2.1 Areas of use                          | 5        |
|          | 2.3 Product description                     | 5        |
|          | 2.3.1 Overview                              | 5        |
|          | 2.3.2 Compatible components                 | 6        |
|          | 2.3.3 Sound protection                      | 8        |
|          | 2.3.4 Technical data                        | 8        |
|          | 2.4 Accessories                             | 8        |
| <b>3</b> | <b>Handling</b>                             | <b>9</b> |
|          | 3.1 Assembly information                    | 9        |
|          | 3.1.1 Mounting conditions                   | 9        |
|          | 3.1.2 Installation dimensions               | 10       |
|          | 3.1.3 Required tools                        | 10       |
|          | 3.2 Assembly                                | 10       |
|          | 3.2.1 Mounting WC element                   | 10       |
|          | 3.2.2 Preparing optional actuation versions | 19       |
|          | 3.2.3 Setting the flush volume              | 19       |
|          | 3.3 Cleaning and maintenance                | 20       |
|          | 3.4 Disposal                                | 21       |

# 1 About these instructions for use

Trade mark rights exist for this document, further information can be found at [viega.com/legal](http://viega.com/legal).

## 1.1 Target groups

The information in this instruction manual is directed at the following groups of people:

- Heating and sanitary professionals and trained personnel
- Drywall builder

It is not permitted for individuals without the abovementioned training or qualification to mount, install and, if required, maintain this product. This restriction does not extend to possible operating instructions.

The installation of Viega products must take place in accordance with the general rules of engineering and the Viega instructions for use.

## 1.2 Labelling of notes

Warning and advisory texts are set aside from the remainder of the text and are labelled with the relevant pictographs.



### **DANGER!**

This symbol warns against possible life-threatening injury.



### **WARNING!**

This symbol warns against possible serious injury.



### **CAUTION!**

This symbol warns against possible injury.



### **NOTICE!**

This symbol warns against possible damage to property.



Notes give you additional helpful tips.

### 1.3 About this translated version

This instruction for use contains important information about the choice of product or system, assembly and commissioning as well as intended use and, if required, maintenance measures. The information about the products, their properties and application technology are based on the current standards in Europe (e. g. EN) and/or in Germany (e. g. DIN/DVGW).

Some passages in the text may refer to technical codes in Europe/Germany. These should serve as recommendations in the absence of corresponding national regulations. The relevant national laws, standards, regulations, directives and other technical provisions take priority over the German/European directives specified in this manual: The information herein is not binding for other countries and regions; as said above, they should be understood as a recommendation.

## 2 Product information

### 2.1 Standards and regulations

The following standards and regulations apply to Germany / Europe. National regulations can be found on the relevant web site of your country at [viega.com/standards](http://viega.com/standards).

#### Regulations from section: Fields of application / Mounting conditions

| Scope / Notice            | Regulations applicable in Germany |
|---------------------------|-----------------------------------|
| suitable masonry walls    | EN 1996-1-1                       |
| suitable concreted walls  | DIN 1045                          |
| suitable support profiles | DIN 18183                         |

#### Regulations from section: Sound protection

| Scope / Notice                          | Regulations applicable in Germany |
|---|-----------------------------------|
| Fulfilled noise protection requirements | DIN 4109                          |
| Fulfilled noise protection requirements | DIN 4109 (additional sheet 2)     |
| Fulfilled noise protection requirements | VDI 4100 SSt I-SSt II             |

### 2.2 Intended use

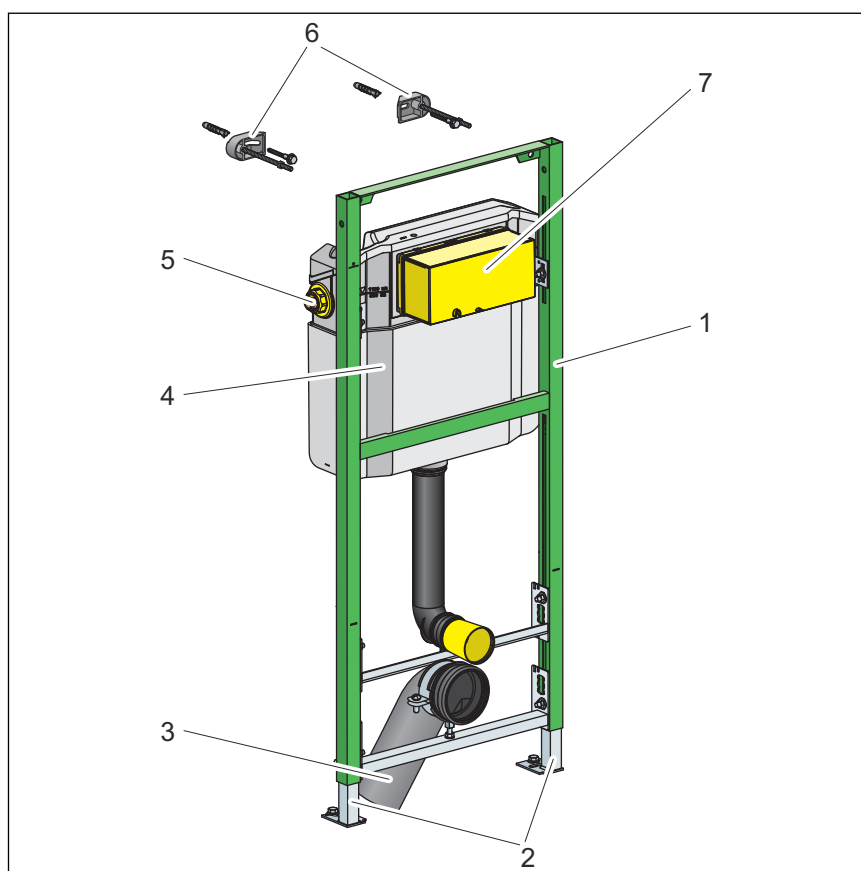
#### 2.2.1 Areas of use

The Viega Eco Plus WC element is suitable for mounting on masonry wall constructions and stud frames pursuant to the regulations in section [↪](#) 'Regulations from section: Fields of application / Mounting conditions' on page 5.

### 2.3 Product description

#### 2.3.1 Overview

The WC element is equipped as follows:



**Fig. 1: Components**

- 1 - Viega Eco WC element
- 2 - adjustable feet
- 3 - drain elbow
- 4 - Viega concealed cistern 2H
- 5 - water connection
- 6 - fixing set (not included in the scope of delivery model 8173)
- 7 - flush actuation site protection

### 2.3.2 Compatible components

The WC element is suitable for floor-standing WCs, baby WCs and WCs for children.

The WC element can be extended by the following compatible components:

- fixing set (model 8173)
- connection installation set (model 8350.14)

Mount the components in accordance with the instructions for use of the components.

## Connection installation set

The installation set is suitable for the connection of an electrical actuation. The installation set consists of an empty pipe, a cavity wall socket and the relative, required clip. The empty pipe connects the cavity wall socket with the concealed cistern.

## Compatible flush plates

| Product                            | Name   | Model                              |
|------------------------------------|--|------------------------------------|
| Standard                           | Flush plate Standard 1                       | 8180.1                             |
| Visign for Style                   | Flush plate<br>Visign for Style 10           | 8315.1                             |
|                                    | Flush plate<br>Visign for Style 11           | 8331.1                             |
|                                    | Flush plate<br>Visign for Style 12           | 8332.1                             |
|                                    | Flush plate<br>Visign for Style 12           | 8332.4                             |
|                                    | Flush plate<br>Visign for Style 13           | 8333.1                             |
|                                    | Flush plate<br>Visign for Style 14           | 8334.1                             |
|                                    | Functional unit                              | 8332.3                             |
|                                    | Visign for More                              | Flush plate Visign for More<br>100 |
| Flush plate Visign for More<br>101 |  | 8351.1                             |
| Flush plate Visign for More<br>102 |  | 8353.1                             |
| Flush plate Visign for More<br>103 |  | 8355.1                             |
| Flush plate Visign for More<br>104 |  | 8354.1                             |
| Visign for Care<br>sensitive       | Flush plate sensitive Visign<br>for Care     | 8352.21                            |
| Visign for More<br>sensitive       | Flush plate sensitive<br>Visign for More 100 | 230 V 8352.11                      |
|                                    | Flush plate sensitive<br>Visign for More 100 | 6.5 V 8352.12                      |
|                                    | Flush plate sensitive<br>Visign for More 103 | 230 V 8355.11                      |
|                                    | Flush plate sensitive<br>Visign for More 103 | 6.5 V 8355.12                      |

| Product           | Name                                    | Model   |
|-------------------|---|---------|
| Visign for Public | Flush plate<br>Visign for Public 1      | 8326.1  |
|                   | Flush plate<br>Visign for Public 2      | 8327.1  |
|                   | Flush plate<br>Visign for Public 5      | 8326.16 |
|                   | Flush plate<br>Visign for Public 6      | 8326.15 |
|                   | Remote actuation<br>Visign for Public 1 | 8326.21 |
|                   | Cover plate Visign for Public           | 8326.9  |

### 2.3.3 Sound protection

The WC element complies with the noise insulation requirements specified in section ↗ 'Regulations from section: Sound protection' on page 5.

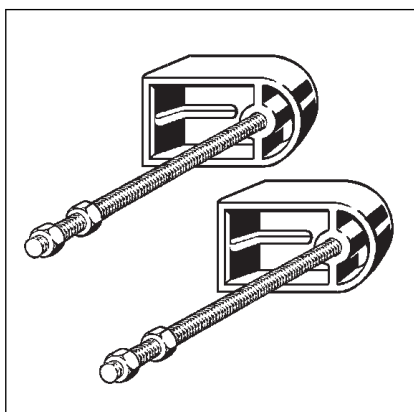
### 2.3.4 Technical data

#### Flush volume

|                    |                 |                 |
|--------------------|-----------------|-----------------|
| Small flush volume | Factory setting | approx. 3 l     |
|                    | Setting range   | approx. 3–4 l   |
| Large flush volume | Factory setting | approx. ca. 6 l |
|                    | Setting range   | approx. 6–9 l   |

## 2.4 Accessories

#### Required accessories



The fixing set model 8173 is required to secure.



## 3 Handling

### 3.1 Assembly information

#### 3.1.1 Mounting conditions

##### Suitable walls

The Viega WC element is suitable for mounting on masonry wall constructions and support profiles pursuant to the regulations in section [↗](#) 'Regulations from section: Fields of application / Mounting conditions' on page 5.

The WC element may only be mounted on even wall surfaces.

##### Construction height

With the construction height, the marked height of the upper edge of the finished floor must be observed.

##### Installation depth

The installation depth can be between 130 mm and 200 mm.

##### WC ceramic

The WC element can only be used in combination with floor-standing WCs, Baby WCs and WCs for children.

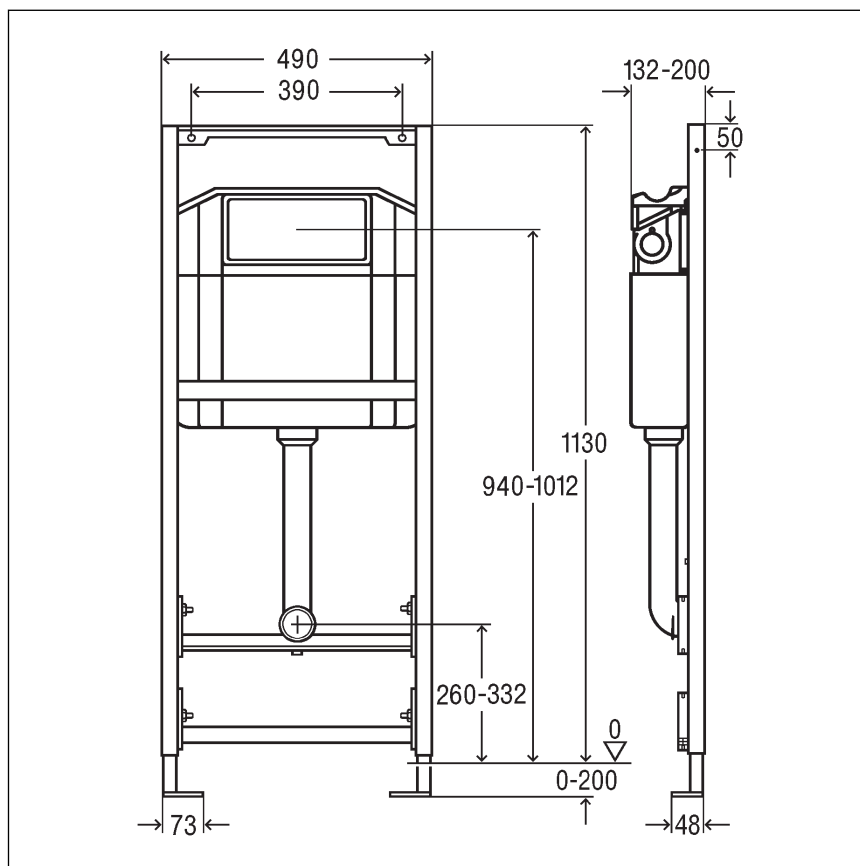
##### Actuation

The WC element can be extended by a remote actuation Visign for Public1 (model 8326.21) or by an electronic actuation (model 8350.31 or 8350.32). The corresponding actuation method must be prepared before the WC element is clad and tiled.

The corresponding empty pipe (included in the scope of delivery of the remote actuation) is required when preparing the remote actuation Visign for Public1.

### 3.1.2 Installation dimensions

#### Dimensions



### 3.1.3 Required tools

The following tools are required for mounting the WC element:

- drill with 10 mm drill bit
- ratchet with sockets: 13 mm / 17 mm
- fork or ring spanner: 13 mm / 17 mm / 19 mm

## 3.2 Assembly

### 3.2.1 Mounting WC element

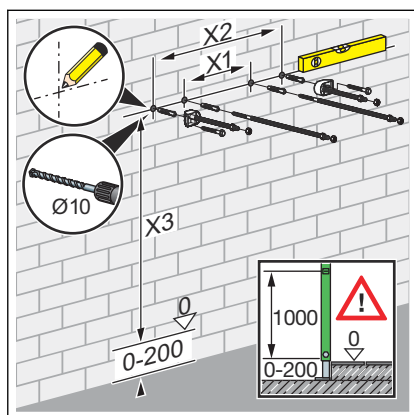


#### Masonry and concreted walls

You should use a support bracket (model 8165) when mounting multiple WC elements with an interval of > 490 mm. Observe the instructions for use of the support bracket when mounting.

## Masonry wall

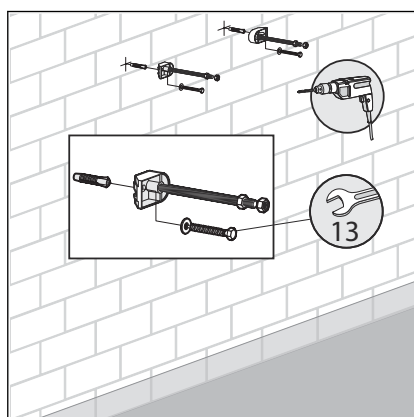
### Variation 1 – with variable drain



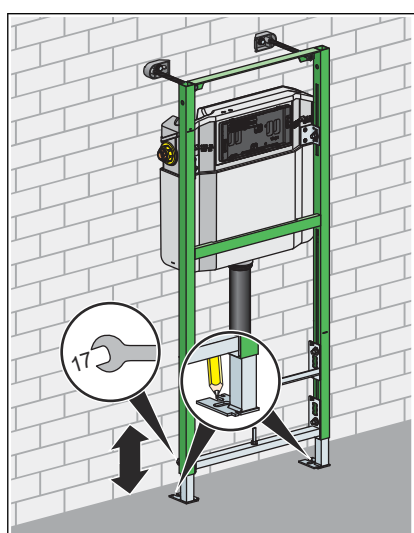
► Determine and mark fixing points.

- X1: 390 mm (model 8180.73)
- X2: 440 mm (model 8173)
- X3: 1110 mm

► Drill holes (10 mm).

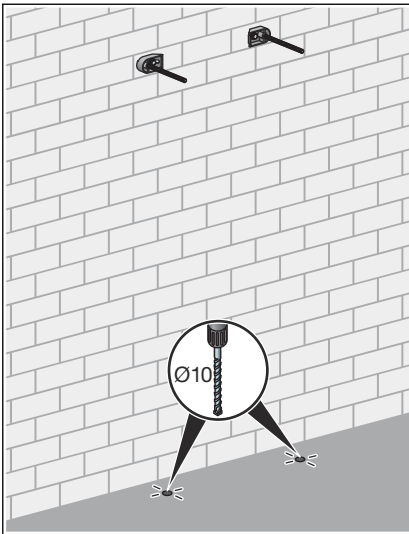


► Attach fixing set with the fork spanner (size 13).

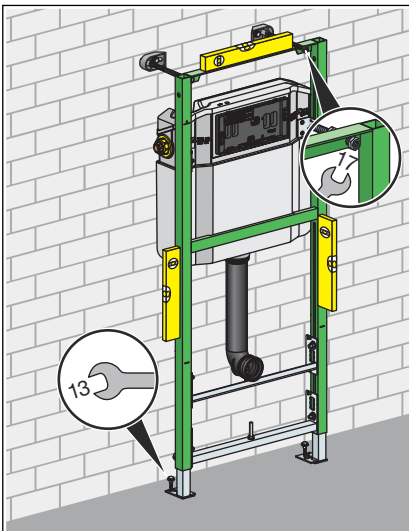


► Align the height of the feet with a fork spanner (size 17).

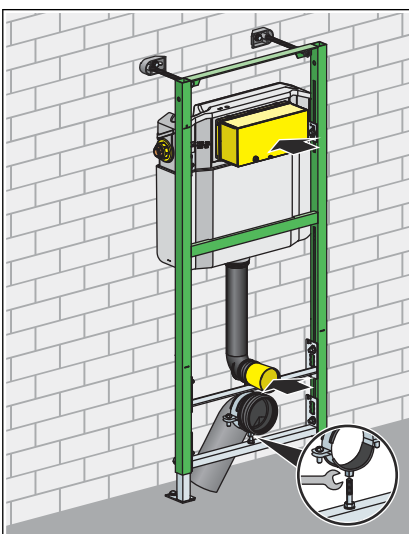
► Mark fixing points on the floor.



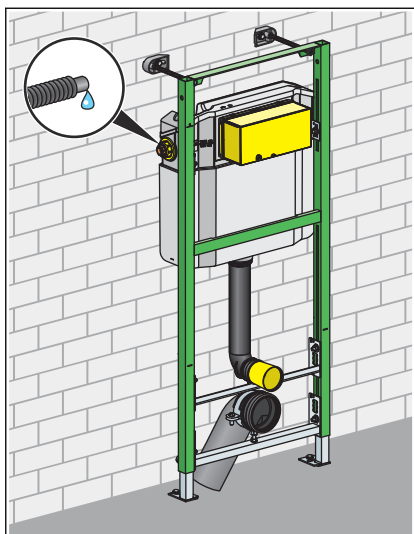
- Remove WC element and drill floor holes.



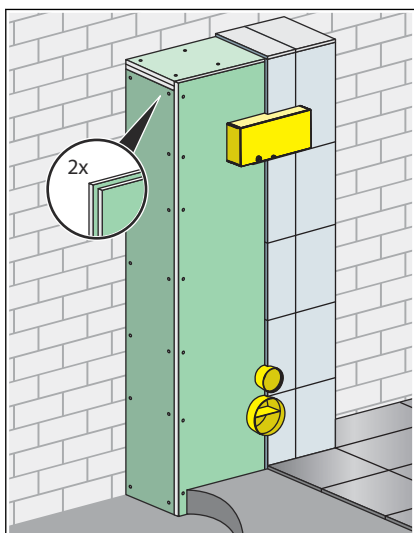
- Align the WC element in accordance with the cutting check.
- Set the installation depth of the WC element (132–200 mm) with the fork spanner (size 17).
- Attach WC element to the floor using the fork spanner (size 13) and the screws and dowels supplied.



- Install site protection of the flush actuation.
- Mount the pipe clamp onto the thread (size 13).
- Secure the drain elbow in the pipe clamp.



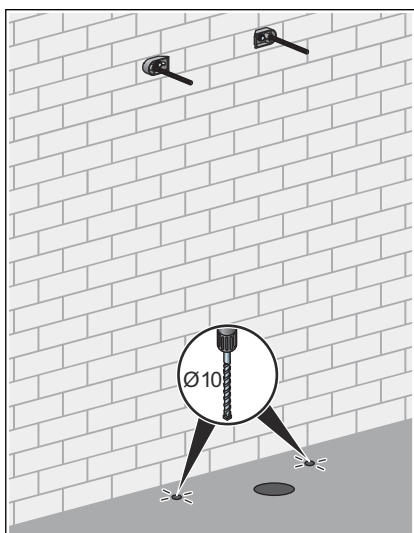
- Carry out water connection.



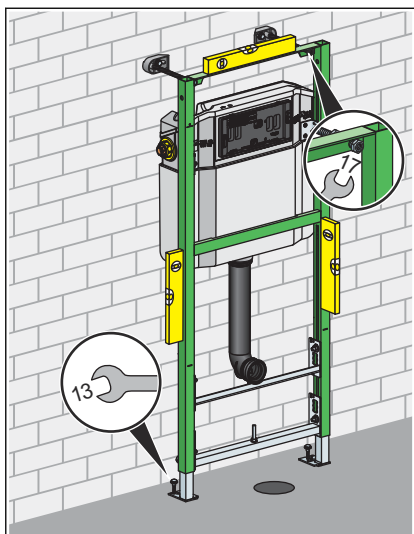
- Double-clad WC element with IFGP cladding panels (model 8055.10) (2 x 12.5 mm).
- Mount protective plug.

### Variation 2 – with fixed floor drain

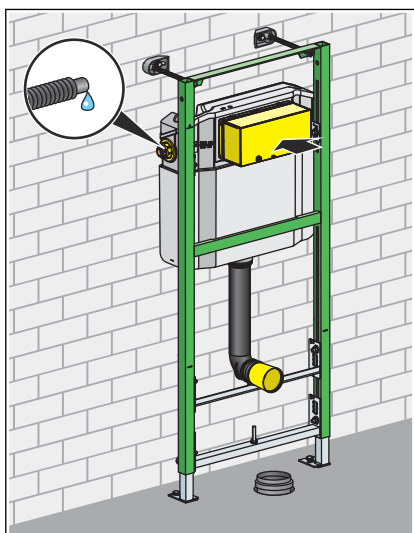
A with variation 1 with floor fixing, then as follows:



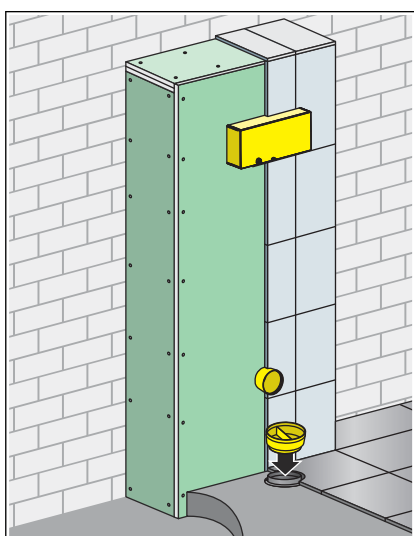
- Remove WC element and drill floor holes.
- Carry out the on-site floor lead-in for the wastewater connection.



- Align the WC element in accordance with the cutting check.
- Set the installation depth of the WC element (132–200 mm) with the fork spanner (size 17).
- Attach WC element to the floor using the fork spanner (size 13) and the screws and dowels supplied.



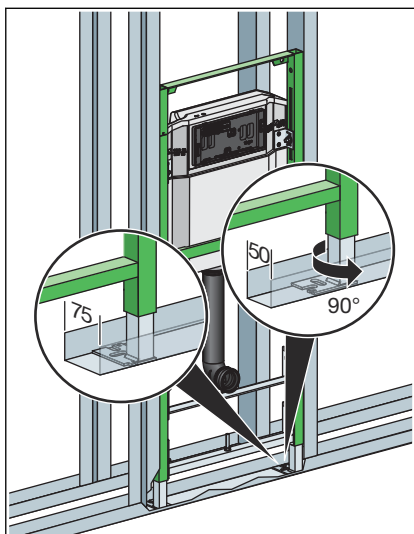
- Install site protection of the flush actuation.
- Secure drain.
- Carry out water connection.



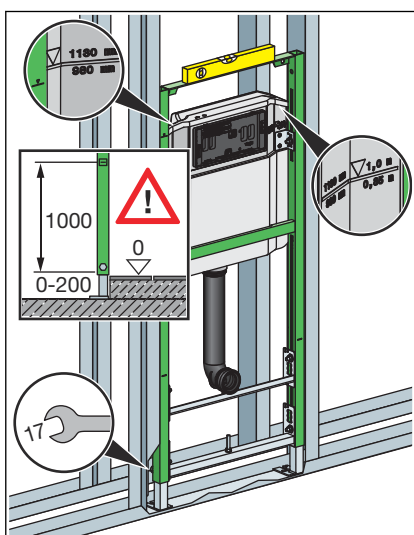
- Double-clad WC element with IFGP cladding panels (model 8055.10) (2 x 12.5 mm).
- Mount protective plug.

## On-site support profile

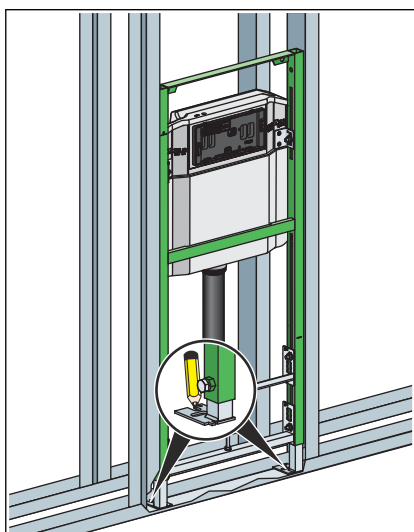
### Variation 1 – with variable drain



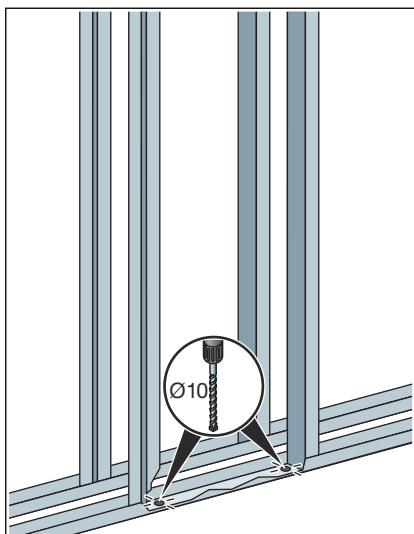
- If necessary, adjust (pre-mounted) foot depth from 75 mm to 50 mm.
- Pull the foot out and turn by 90°.



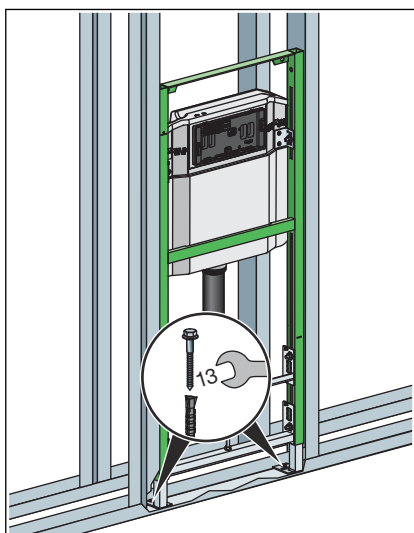
- Determine construction height in accordance with the on-site marking of the upper edge of the finished floor.
- Pull WC element up (cutting check) and align.
- Tighten feet with the fork spanner (size 17).



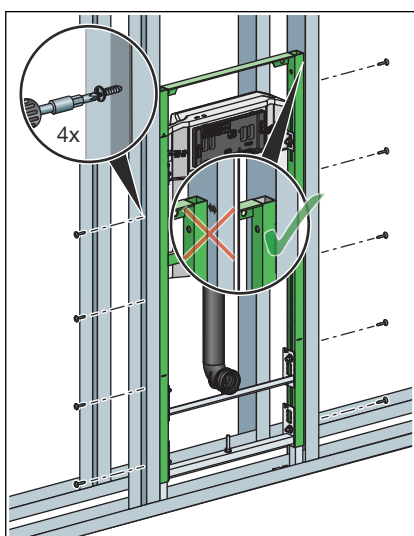
- Mark holes for floor supports.



► Drill holes.



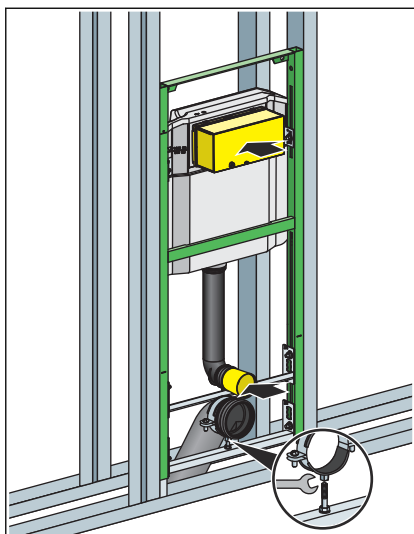
► Secure WC element to floor (size 13).



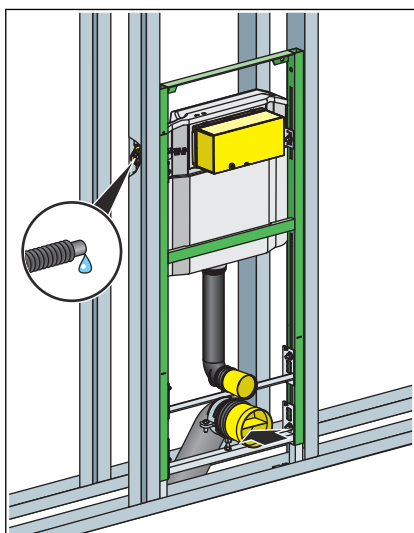
► Attach WC element to the support profiles using the screws supplied.

Connect the WC element flush with the support profiles.

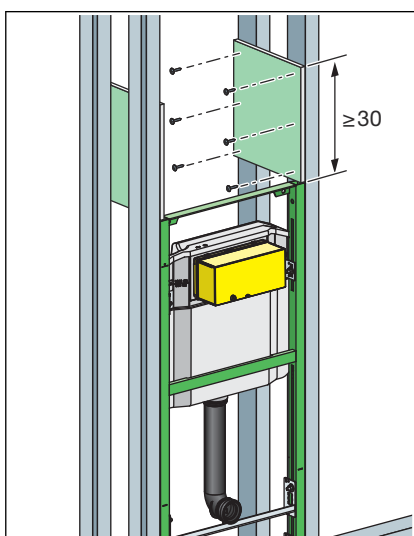




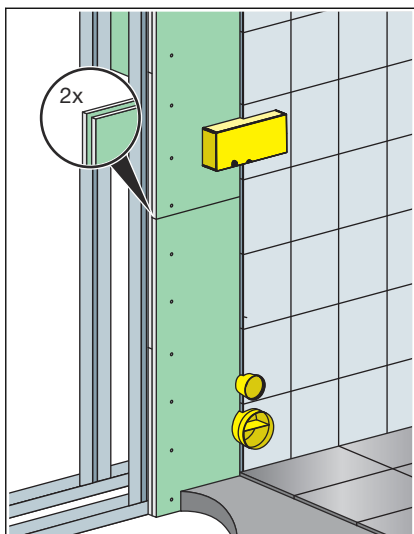
- Install site protection of the flush actuation.
- Mount the pipe clamp onto the thread (size 13).
- Secure the drain elbow in the pipe clamp.



- Carry out water connection.
- Mount protective plug.



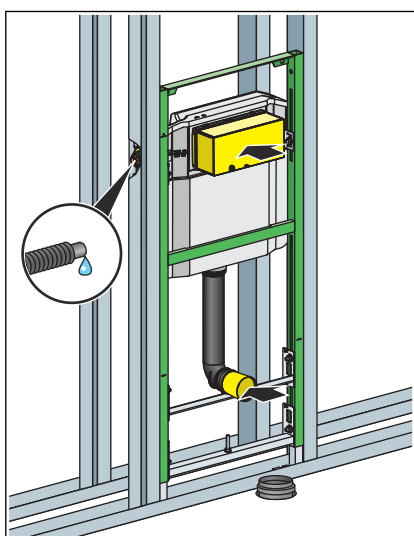
- Strap the support profiles with panel strips ( $\geq 30$  cm).



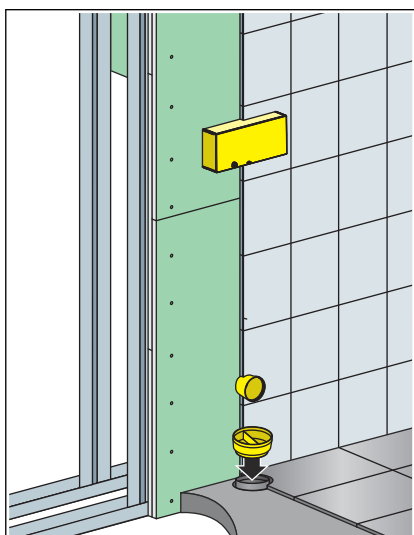
- Double-clad WC element with IFGP cladding panels (model 8055.10) (2 x 12.5 mm).

### Variation 2 – with fixed floor drain

As with variation 1 up to drain fixing, then as follows:



- Carry out on-site drilling.
- Install site protection of the flush actuation.
- Secure drain.
- Carry out water connection.

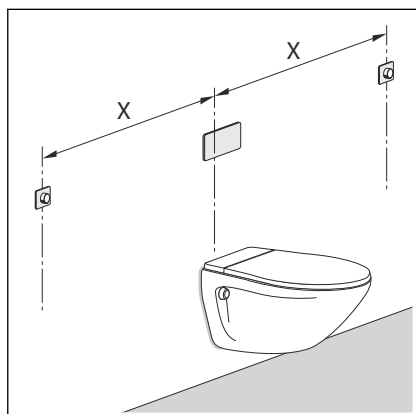


- Double-clad WC element with IFGP cladding panels (model 8055.10) (2 x 12.5 mm).
- Mount protective plug.

### 3.2.2 Preparing optional actuation versions

#### Prepare remote actuation

The corresponding empty pipe (included in the scope of delivery of the remote actuation) is required when preparing the remote actuation Visign for Public1 (model 8326.21).



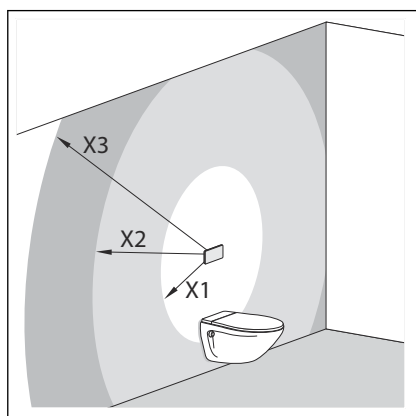
- Lead the empty pipe from the hollow wall socket into the concealed cistern.

Distance from the remote actuation to the cistern (x)

- min. 1.0 m
- max. 1.7 m

#### Prepare electrical actuation

A corresponding empty pipe (not included in the scope of delivery of the electrical actuation) is required for the preparation of the electrical actuation (model 8350.31 or model 8350.32).



- Lead empty pipe from the switch or button into the concealed cistern, to connect the concealed socket and concealed cistern.

Positioning of the cistern power pack

- X1= max. 0.75 m
- X2= max. 2.75 m with an extension cable, 1 x article number 628 505
- X3= max. 4.75 m with two extension cables, 2 x article number 628 505

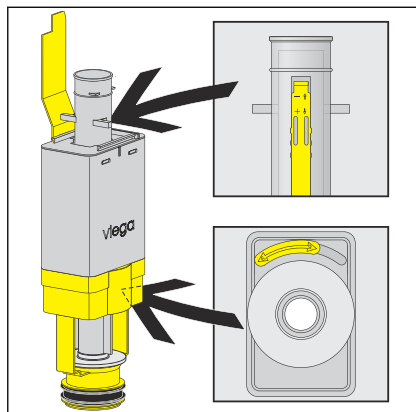
### 3.2.3 Setting the flush volume



Immediate re-flushing of the flush volume is possible at the factory settings.

#### Small flush volume

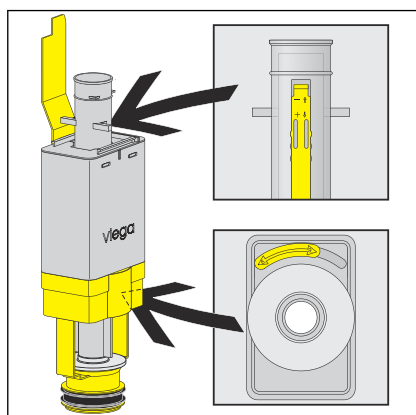
The WC element is factory-set at a small flush of approx. 3 l. The small flush volume can be set continuously from approx. 3 l up to approx. 4 l.



- Remove the drain valve from the concealed cistern.
- Push the slide control on the side of the overflow pipe to the desired small flush volume:
  - Top position: approx. 3 l
  - Bottom position: approx. 4 l

### Large flush volume

The WC element is factory-set at a large flush volume of approx. 6 l. The large flush volume can be set continuously from approx. 6 l up to approx. 9 l.



- Remove the drain valve from the concealed cistern.
- Push the slide control below the drain valve to the desired large flush volume:
  - left: approx. 6 l
  - right: approx. 9 l

## 3.3 Cleaning and maintenance

### Cleaning and maintenance of the concealed cistern

In consideration of the mechanical, chemical and physical conditions, the concealed cistern is constantly laden.

For this reason, the components must be cleaned, as required, and the drain and filling valve seals renewed.

In areas or regions with hard water due to calcium or magnesium salts, there is the risk of limescale deposits developing on the inlet and drain valves.

The valves may have to be replaced, depending on the extent of deposits.

## 3.4 Disposal

Separate the product and packaging materials (e. g. paper, metal, plastic or non-ferrous metals) and dispose of in accordance with valid national legal requirements.



**Viega GmbH & Co. KG**  
service-technik@viega.de  
viega.com

INT • 2022-08 • VPN170213

