

Instructions for Use

Viega Eco Plus WC element



Viega Eco Plus

Model
8108.1

Year built (from)
01/2011

viega

Table of contents

1	About these instructions for use	3
	1.1 Target groups	3
	1.2 Labelling of notes	3
	1.3 About this translated version	4
2	Product information	5
	2.1 Standards and regulations	5
	2.2 Intended use	5
	2.2.1 Areas of use	5
	2.3 Product description	5
	2.3.1 Overview	5
	2.3.2 Compatible components	6
	2.3.3 Technical data	8
3	Handling	9
	3.1 Assembly information	9
	3.1.1 Mounting conditions	9
	3.1.2 Installation dimensions	10
	3.1.3 Required tools	10
	3.2 Assembly	10
	3.2.1 Mounting WC element	10
	3.2.2 Preparing optional actuation versions	15
	3.2.3 Setting the flush volume	16
	3.2.4 Removing filling valve	17
	3.3 Cleaning and maintenance	19
	3.4 Disposal	19

1 About these instructions for use

Trade mark rights exist for this document; for further information, go to viega.com/legal.

1.1 Target groups

The information in this instruction manual is directed at the following groups of people:

- Heating and sanitary professionals and trained personnel
- Drywall builder

Individuals without the abovementioned training or qualification are not permitted to mount, install and, if required, maintain this product. This restriction does not extend to possible operating instructions.

The installation of Viega products must take place in accordance with the general rules of engineering and the Viega instructions for use.

1.2 Labelling of notes

Warning and advisory texts are set aside from the remainder of the text and are labelled with the relevant pictographs.



DANGER!

This symbol warns of possible life-threatening injury.



WARNING!

This symbol warns of possible serious injury.



CAUTION!

This symbol warns of possible injury.



NOTICE!

This symbol warns of possible damage to property.



This symbol gives additional information and hints.

1.3 About this translated version

This instruction for use contains important information about the choice of product or system, assembly and commissioning as well as intended use and, if required, maintenance measures. The information about the products, their properties and application technology are based on the current standards in Europe (e. g. EN) and/or in Germany (e. g. DIN/DVGW).

Some passages in the text may refer to technical codes in Europe/Germany. These should serve as recommendations in the absence of corresponding national regulations. The relevant national laws, standards, regulations, directives and other technical provisions take priority over the German/European directives specified in this manual: The information herein is not binding for other countries and regions; as said above, they should be understood as a recommendation.

2 Product information

2.1 Standards and regulations

The following standards and regulations apply to Germany / Europe. National regulations can be found on the relevant web site of your country at viega.com/standards.

Regulations from section: Sound protection

Scope / Notice	Regulations applicable in Germany
Fulfilled noise protection requirements	DIN 4109
Fulfilled noise protection requirements	DIN 4109 (additional sheet 2)
Fulfilled noise protection requirements	VDI 4100 SSt I-SSt II

2.2 Intended use

2.2.1 Areas of use

The Viega Eco Plus WC element is suitable for mounting on masonry wall constructions and stud frames.

2.3 Product description

2.3.1 Overview

The WC element is equipped as follows:

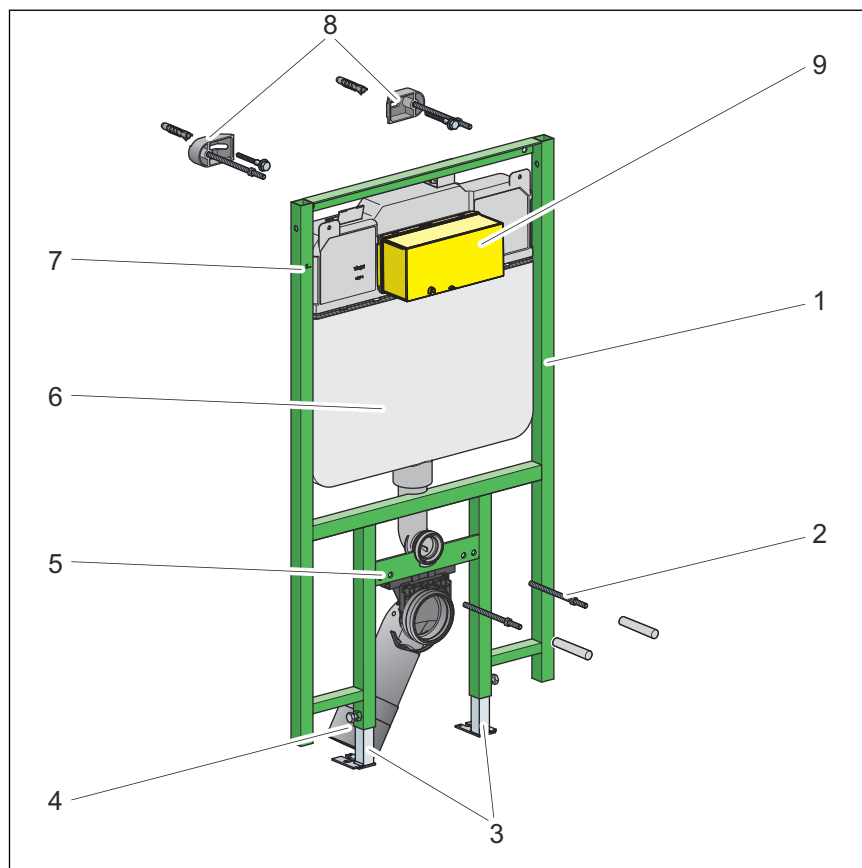


Fig. 1: Components

- 1 - Vieg Eco Plus WC element
- 2 - threaded rods for fixing sanitary objects (gauges for bore hole 180 or 230 mm)
- 3 - adjustable feet
- 4 - drain elbow
- 5 - fixing height for the WC ceramic 330 mm
- 6 - Vieg concealed cistern 1F
- 7 - marking 1.0 m above the upper edge of the finished floor
- 8 - fixing set (not included in the scope of delivery model 8173)
- 9 - flush actuation site protection

2.3.2 Compatible components

The WC element is compatible with all common WC ceramics, even with larger projection (barrier-free).

The WC element can be extended by the following compatible components:

- fixing element (model 8169.2)

Fixing element

The fixing element is suitable for barrier-free installation. Supports and handles can be mounted on the fixing element. The construction height of the fixing element is 1130 mm.

Compatible flush plates

Product	Name	Model
Standard	Flush plate Standard 1	8180.1
Visign for Style	Flush plate Visign for Style 10	8315.1
	Flush plate Visign for Style 11	8331.1
	Flush plate Visign for Style 12	8332.1
	Flush plate Visign for Style 12	8332.4
	Flush plate Visign for Style 13	8333.1
	Flush plate Visign for Style 14	8334.1
	Visign for More	Flush plate Visign for More 100
Flush plate Visign for More 102		9353.1
Flush plate Visign for More 103		8355.1
Flush plate Visign for More 104		8354.1
Visign for Care sensitive	Flush plate sensitive Visign for Care	8352.21
Visign for More sensitive	Flush plate sensitive Visign for More 100	230 V 8352.11
	Flush plate sensitive Visign for More 103	230 V 8355.11
Visign for Public	Flush plate Visign for Public 1	8326.1
	Flush plate Visign for Public 2	8327.1
	Flush plate Visign for Public 5	8326.16
	Flush plate Visign for Public 6	8326.15

Product	Name	Model
	Remote actuation Visign for Public 1	8326.21
	Cover plate Visign for Public	8326.9

2.3.3 Technical data

Flush volume

Small flush volume	Factory setting	approx. 3 l
	Setting range	approx. 3–4 l
Large flush volume	Factory setting	approx. ca. 6 l
	Setting range	approx. 6–9 l

3 Handling

3.1 Assembly information

3.1.1 Mounting conditions

Suitable walls

The WC element can be mounted on the following walls:

- masonry walls
- concreted walls
- metal support profile

The WC element may only be mounted on even wall surfaces.

Construction height

With the construction height, the marked height of the upper edge of the finished floor must be observed.

Installation depth

The installation depth can be between 85 mm and 200 mm.

WC ceramic

The WC element can only be used in combination with wall-hung WCs (fixing gauges for bore hole 180 mm or 230 mm).

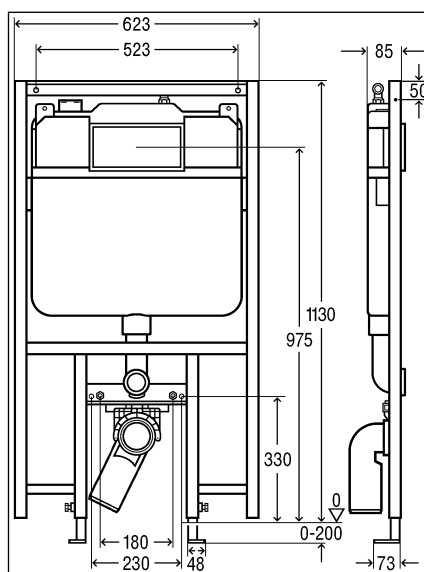
Actuation

The WC element can be extended by a remote actuation Visign for Public1 (model 8326.21) or by an electronic actuation (model 8350.33), as well as by sensitive flush plates (model 8352.21, 8352.11 and 8355.11). The corresponding actuation method must be prepared before the WC element is clad and tiled.

The corresponding empty pipe (included in the scope of delivery of the remote actuation) is required when preparing the remote actuation Visign for Public1.

3.1.2 Installation dimensions

Dimensions



3.1.3 Required tools

- drill with 10 mm drill bit
- ratchet with sockets: 13 mm / 17 mm
- fork or ring spanner: 13 mm / 17 mm / 19 mm

3.2 Assembly

3.2.1 Mounting WC element

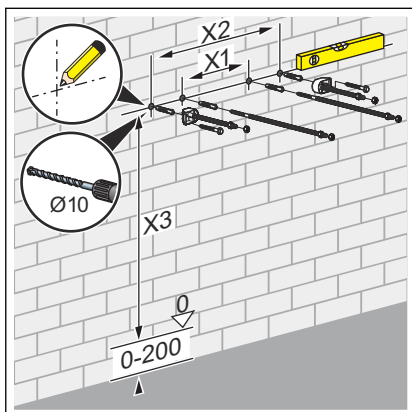


Masonry and concreted walls

You should use a support bracket (model 8165) when mounting multiple WC elements with an interval of > 490 mm. Observe the instructions for use of the support bracket when mounting.

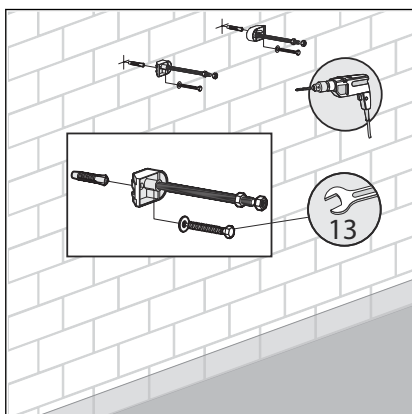
Masonry wall

Mounting with fixing set (model 8173)



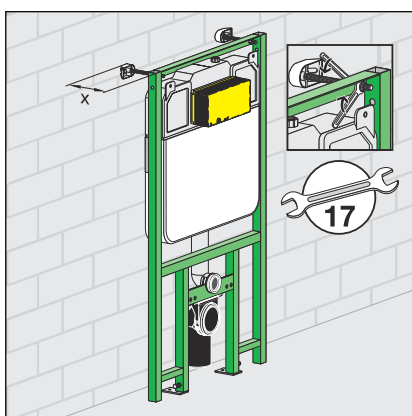
► Determine and mark fixing points.

- X1: 390 mm (model 8180.73)
- X2: 440 mm (model 8173)
- X3: At a construction height of 1130 mm, the size is 1110 mm.



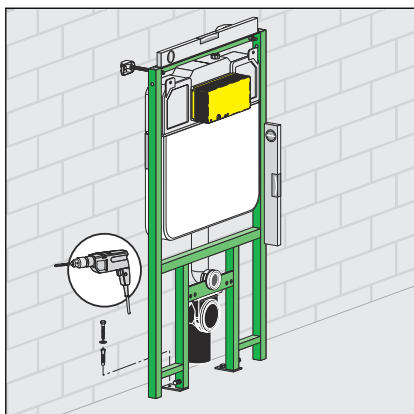
► Drill holes.

► Mount the fixing set with the fork spanner (size 13).

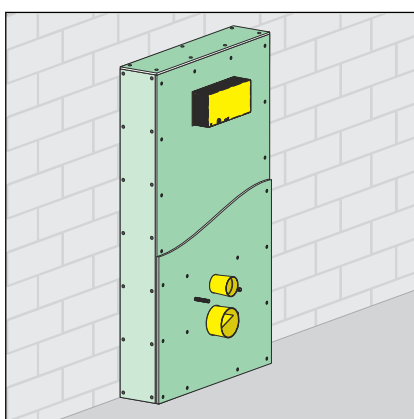


► Align the height (size 17) of the WC element in accordance with the cutting check.

► Attach WC element to the floor using the fork spanner (size 13) and the screws and dowels supplied.

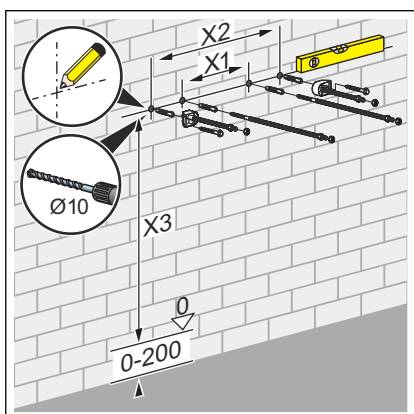


- Align WC element.
- Set the installation depth of the pre-wall element (85–200 mm) with the fork spanner (size 17).
- Attach WC element to the wall.

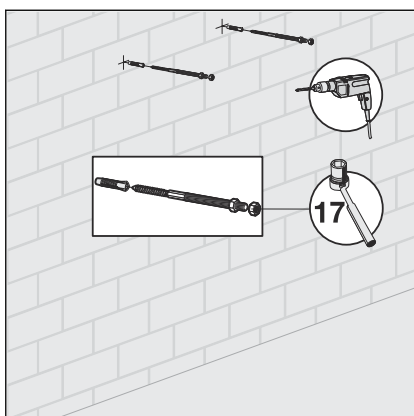


- Double-clad WC element with IFGP cladding panels (model 8055.10) (2 x 12.5 mm).

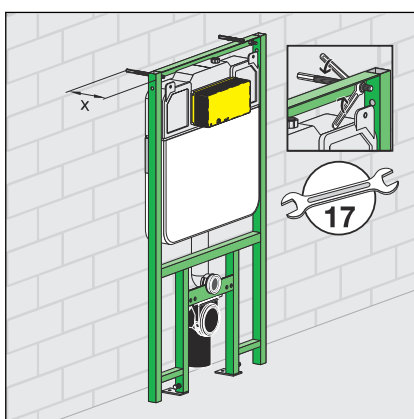
Mounting with fixing set (model 8180.73)



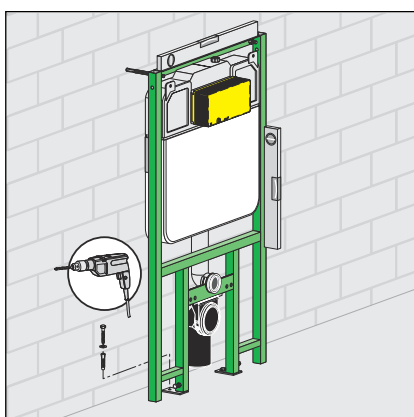
- Determine and mark fixing points.
 - X1: 390 mm (model 8180.73)
 - X2: 440 mm (model 8173)
 - X3: 1110 mm.



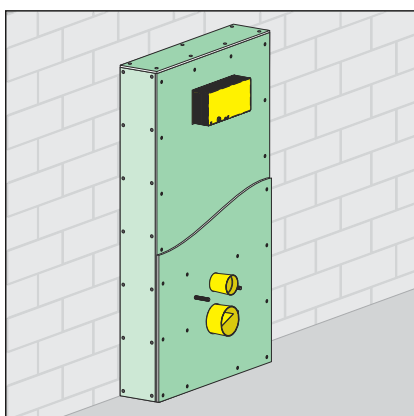
- Drill holes.
- Mount the fixing set with the fork spanner (size 17).



- Align the height (size 17) of the WC element in accordance with the cutting check.
- Attach WC element to the floor using the fork spanner (size 13) and the screws and dowels supplied.

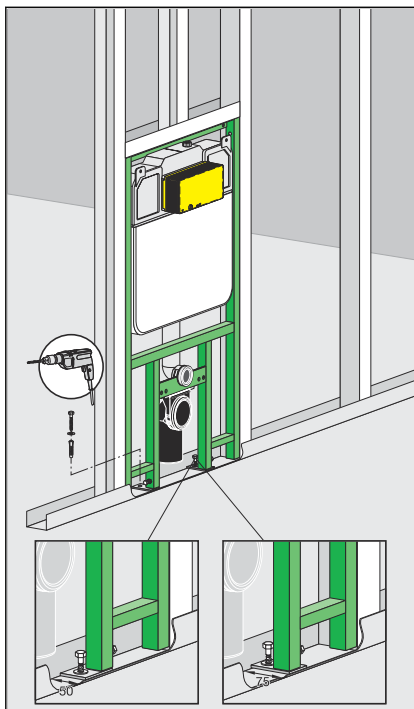


- Align WC element.
- Set the installation depth of the pre-wall element (130–200 mm) with the fork spanner (size 17).
- Attach WC element to the wall.

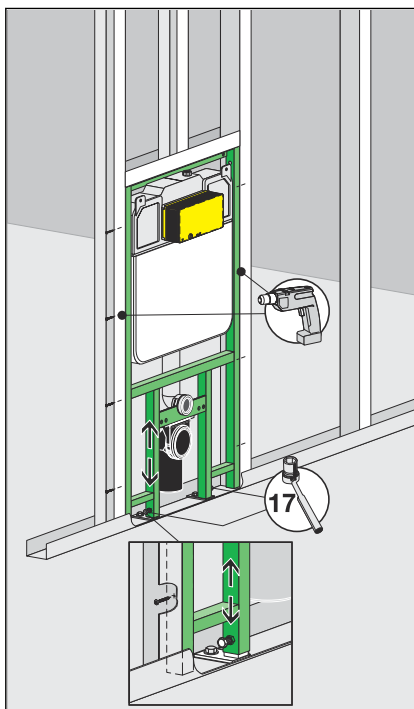


- Double-clad WC element with IFGP cladding panels (model 8055.10) (2 x 12.5 mm).

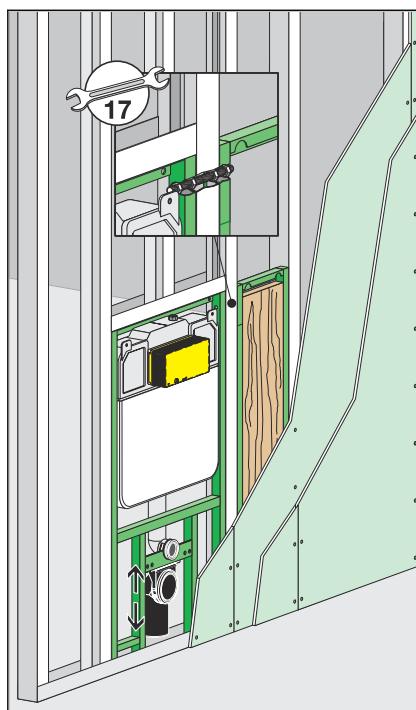
On-site stud frame



- If necessary, adjust (pre-mounted) foot depth from 75 mm to 50 mm.
- Pull the foot out and turn by 90°.
- Determine construction height in accordance with the on-site marking of the upper edge of the finished floor.
- Pull WC element up (cutting check) and align.
- Mark holes for floor supports and drill.
- Tighten feet with the fork spanner (size 17).



- Attach WC element to the stud frame using the screws supplied.



► **Optional:**

Viega Eco Plus fixing element model 8169.2.

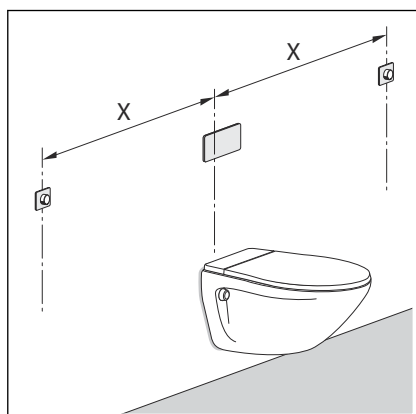
- Double-clad WC element with IFGP cladding panels (model 8055.10) (2 x 12.5 mm).

3.2.2 Preparing optional actuation versions

Prepare remote actuation

The corresponding empty pipe (included in the scope of delivery of the remote actuation) is required when preparing the remote actuation Visign for Public1 (model 8326.21).

- Lead the empty pipe from the hollow wall socket into the concealed cistern.

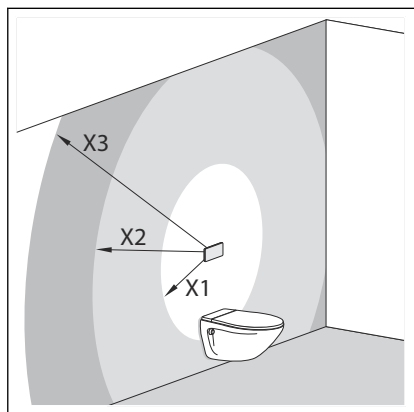


Distance from the remote actuation to the cistern (x)

- min. 1.0 m
- max. 1.7 m

Prepare electrical actuation

A corresponding empty pipe (not included in the scope of delivery of the electrical actuation) is required for the preparation of the electrical actuation (model 8350.33).



- Lead empty pipe from the switch or button into the concealed cistern, to connect the concealed socket and concealed cistern.

Positioning of the cistern power pack

- X1= max. 0.75 m
- X2= max. 2.75 m with an extension cable, 1 x article number 628 505
- X3= max. 4.75 m with two extension cables, 2 x article number 628 505

3.2.3 Setting the flush volume



Immediate re-flushing of the flush volume is possible at the factory settings.

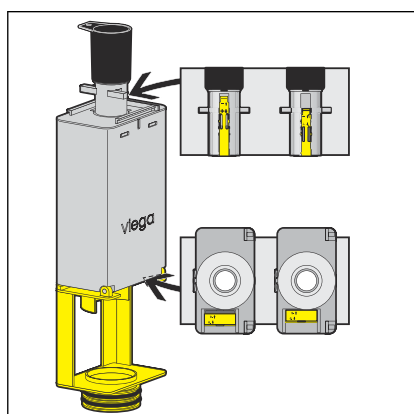
Small flush volume

The WC element is factory-set at a small flush of approx. 3 l. The small flush volume can be set at three levels: approx. 3 l / 3.5 l / 4 l.

- Remove the drain valve from the concealed cistern.
- Push the slide control on the side of the overflow pipe to the desired small flush volume:

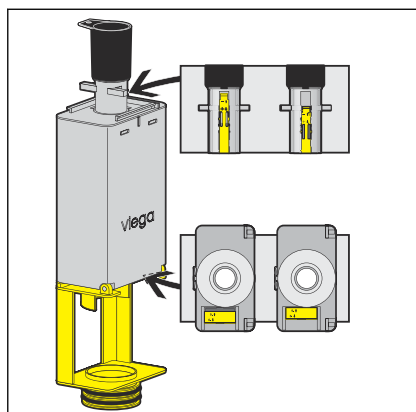
- Top position: approx. 3 l
- Middle position: approx. 3.5 l
- Bottom position: approx. 4 l

The positions can be identified by the notches.



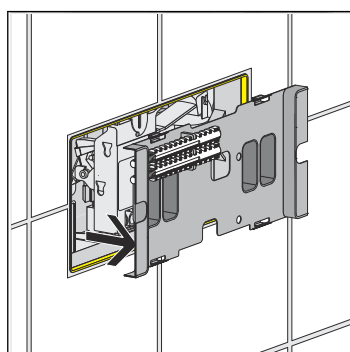
Large flush volume

The WC element is factory-set at a large flush volume of approx. 6 l. The large flush volume can be set continuously from approx. 6 l up to approx. 9 l.

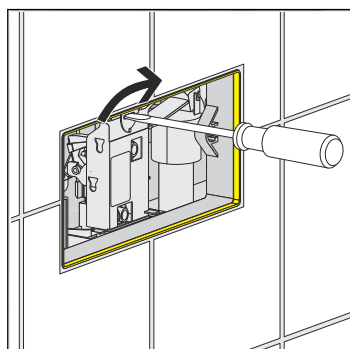


- Remove the drain valve from the concealed cistern.
- Push the slide control below the drain valve to the desired large flush volume:
 - left: approx. 6 l
 - right: approx. 9 l

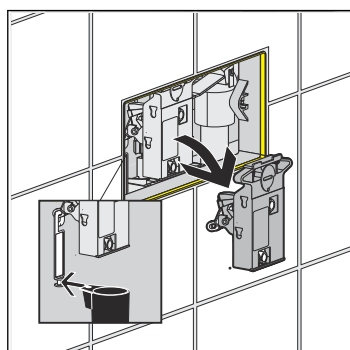
3.2.4 Removing filling valve



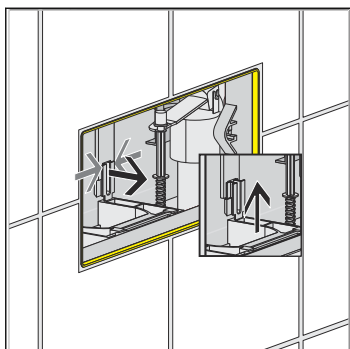
- Remove cover.



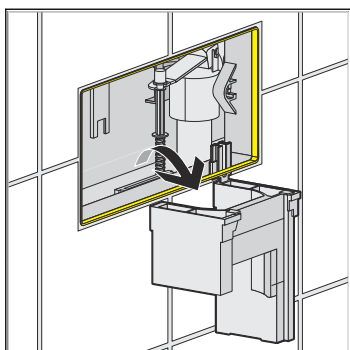
- Loosen locking device the mechanism.



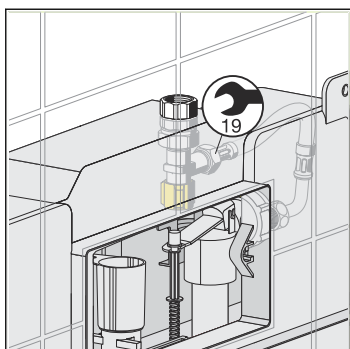
- Remove bow of the mechanism from the drain valve.
- Remove mechanism out the front.



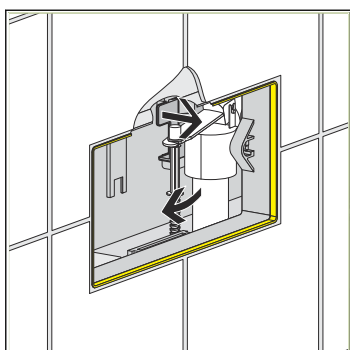
- Push the holder of the restrainer together.
- Remove restrainer upwards.



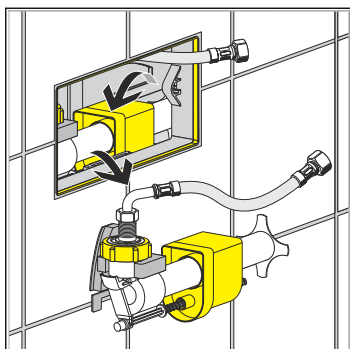
- Remove the restrainer towards the front.



- Close open corner valve.
- Separate the flexible hose from the corner valve at the union nut (SW 19).



- Release the filling valve holder from the bracket.



- Remove filling valve from the revision opening in a horizontal position.

3.3 Cleaning and maintenance

Cleaning may only be carried out by specialist trade professionals or qualified experts.

Cleaning and maintenance of the concealed cistern

The concealed cistern is constantly under mechanical, chemical, and physical stress. For this reason, the components must be cleaned as required, and the drain and filling valve seals renewed.

In areas or regions with hard water due to high concentration of calcium or magnesium salts, there is the risk of limescale deposits developing on the inlet and drain valves. The valves may have to be replaced, depending on the extent of the deposits.

3.4 Disposal

Separate the product and packaging materials (e. g. paper, metal, plastic or non-ferrous metals) and dispose of in accordance with valid national legal requirements.



Viega GmbH & Co. KG
service-technik@viega.de
viega.com

INT • 2022-08 • VPN170185

