

Instructions for Use

Viega fitting holder



for washing machine connection

Model
8068.3

Year built (from)
03/2009

viega

Table of contents

1	About these instructions for use	3
	1.1 Target groups	3
	1.2 Labelling of notes	3
	1.3 About this translated version	4
2	Product information	5
	2.1 Standards and regulations	5
	2.2 Intended use	5
	2.2.1 Areas of use	5
	2.3 Product description	6
	2.3.1 Overview	6
	2.3.2 Compatible components	6
	2.3.3 Sound protection	6
3	Handling	7
	3.1 Assembly information	7
	3.1.1 Mounting conditions	7
	3.1.2 Installation dimensions	7
	3.1.3 Required tools	7
	3.2 Assembly	8
	3.2.1 Mounting module	8
	3.2.2 Rounding off jobs	10
	3.3 Disposal	10

1 About these instructions for use

Trade mark rights exist for this document, further information can be found at viega.com/legal.

1.1 Target groups

The information in this instruction manual is directed at the following groups of people:

- Heating and sanitary professionals and trained personnel
- Consumers

It is not permitted for individuals without the abovementioned training or qualification to mount, install and, if required, maintain this product. This restriction does not extend to possible operating instructions.

The installation of Viega products must take place in accordance with the general rules of engineering and the Viega instructions for use.

1.2 Labelling of notes

Warning and advisory texts are set aside from the remainder of the text and are labelled with the relevant pictographs.



DANGER!

This symbol warns against possible life-threatening injury.



WARNING!

This symbol warns against possible serious injury.



CAUTION!

This symbol warns against possible injury.



NOTICE!

This symbol warns against possible damage to property.



Notes give you additional helpful tips.

1.3 About this translated version

This instruction for use contains important information about the choice of product or system, assembly and commissioning as well as intended use and, if required, maintenance measures. The information about the products, their properties and application technology are based on the current standards in Europe (e. g. EN) and/or in Germany (e. g. DIN/DVGW).

Some passages in the text may refer to technical codes in Europe/Germany. These should serve as recommendations in the absence of corresponding national regulations. The relevant national laws, standards, regulations, directives and other technical provisions take priority over the German/European directives specified in this manual: The information herein is not binding for other countries and regions; as said above, they should be understood as a recommendation.

2 Product information

2.1 Standards and regulations

The following standards and regulations apply to Germany / Europe. National regulations can be found on the relevant web site of your country at viega.com/standards.

Regulations from section: Fields of application / Mounting conditions

Scope / Notice	Regulations applicable in Germany
suitable masonry walls	EN 1996-1-1
suitable concreted walls	DIN 1045

Regulations from section: Sound protection

Scope / Notice	Regulations applicable in Germany
Fulfilled noise protection requirements	DIN 4109
Fulfilled noise protection requirements	DIN 4109 (additional sheet 2)
Fulfilled noise protection requirements	VDI 4100 SSt I-SSt II

2.2 Intended use

2.2.1 Areas of use

The fitting holder is suitable for mounting on wall constructions pursuant to the regulations in section ↗ *'Regulations from section: Fields of application / Mounting conditions'* on page 5 and is intended for use in a Steptec pre-wall construction.

2.3 Product description

2.3.1 Overview

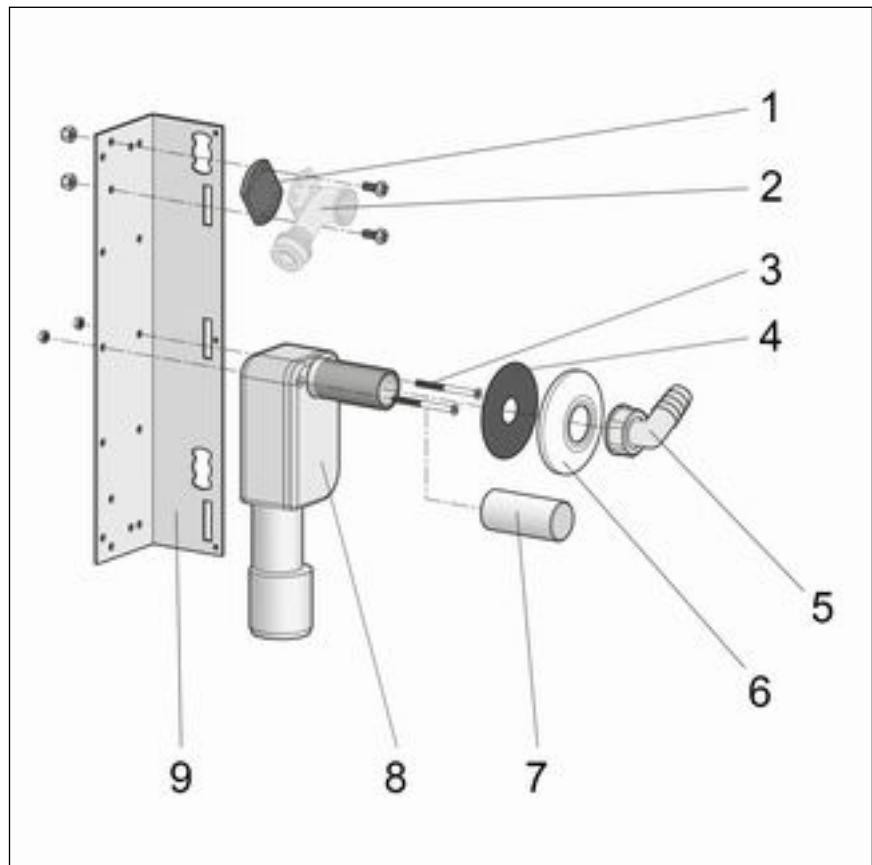


Fig. 1: Components

- 1 - connection for wall plate
- 2 - wall plate (not included in scope of delivery)
- 3 - fixing material
- 4 - sealing collar
- 5 - hose screw fitting
- 6 - rosette
- 7 - protective cap for thread
- 8 - odour trap
- 9 - fitting holders

2.3.2 Compatible components

The fitting holder is intended for the mounting of a washing machine connection.

2.3.3 Sound protection

The fitting holder complies with the noise insulation requirements specified in section ↗ *'Regulations from section: Sound protection'* on page 5.

3 Handling

3.1 Assembly information

3.1.1 Mounting conditions

Construction height

With the construction height, the marked height of the upper edge of the finished floor must be observed.

3.1.2 Installation dimensions

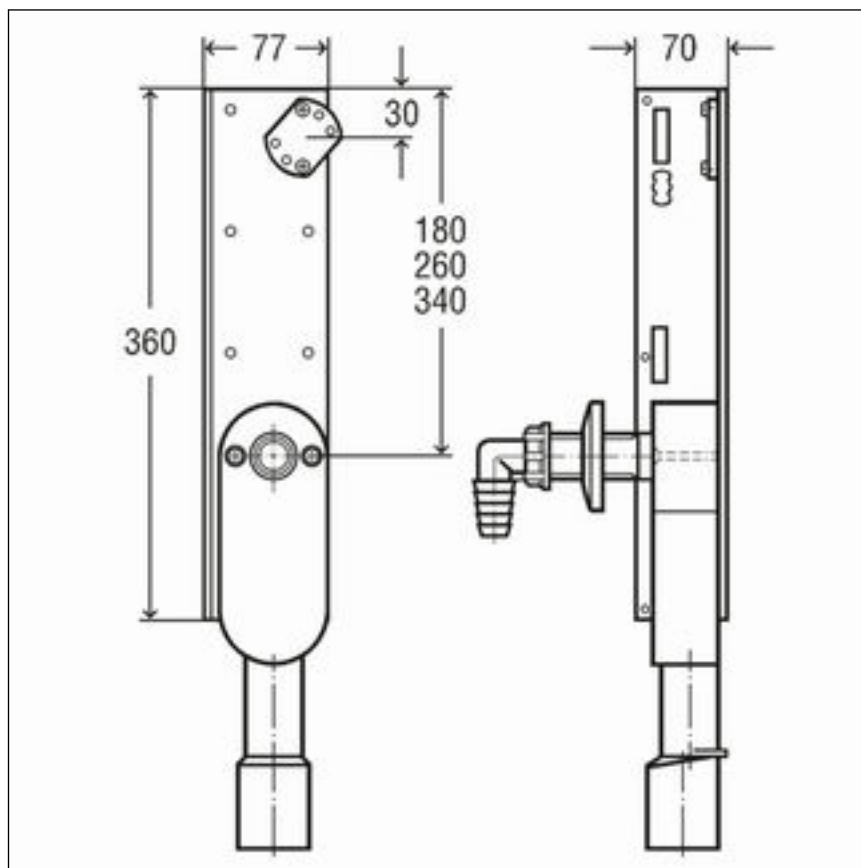


Fig. 2: Dimensions

3.1.3 Required tools

The following tools are required for mounting the fitting holder:

- fork or ring spanner: 8 mm / 10 mm / 17 mm / 19 mm
- Phillips-tip screwdriver

3.2 Assembly

3.2.1 Mounting module

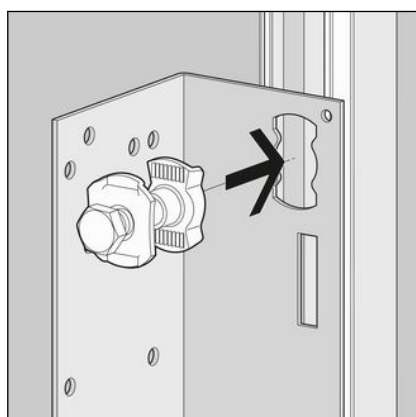
Mounting in Steptec



The vertical rail, onto which the fitting holder is installed, must be open facing the fitting holder.

The illustration shows the mounting on the right-hand side. The fitting holder can be installed on the left-hand side with a 180°-turn.

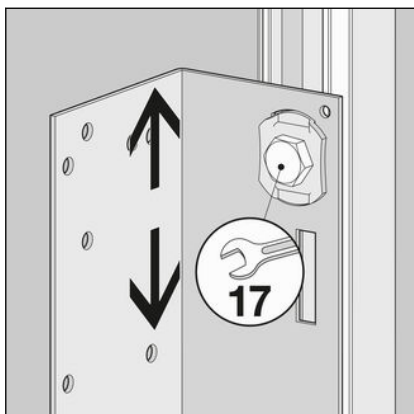
- Secure the module onto the open Steptec rail with the slot nuts supplied:



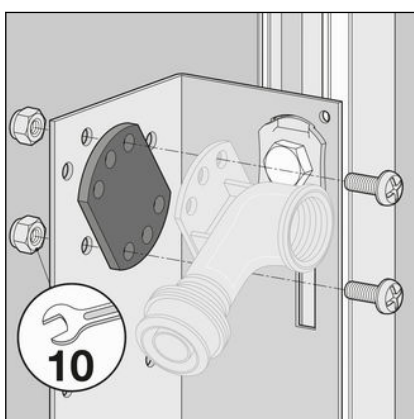
- Insert the slot nut into the opening.



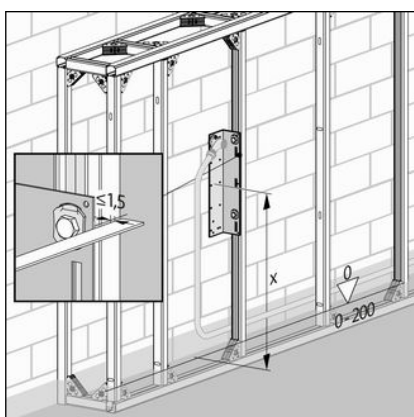
- Push the slot nut in slightly.
- Turn by 90°.
 - The slot nut is secured in the Steptec rail.



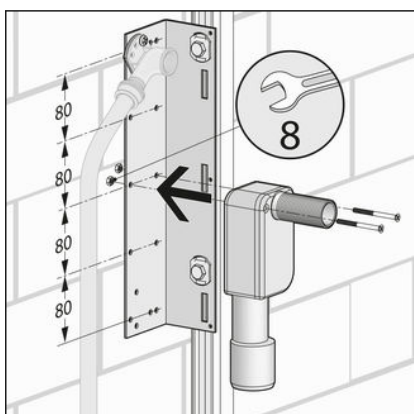
- Align the height of the fitting holder.
- Tighten the slot nut with a ring spanner (SW 17).
- Tighten the second slot nut in the same way.
- The fitting holder is secured on the rail framework.



- Mount wall plate connection on site. Tighten with a Phillips screwdriver and a ring spanner (WS 10).
- Make water connection.

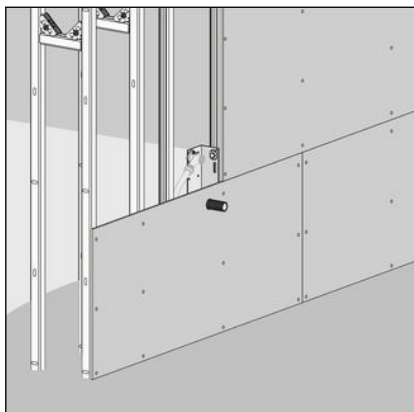


- Check height settings.
- Make sure that the fixing ends flush with the rail framework. The fixing may extend for a maximum of 1.5 mm beyond the rail framework.



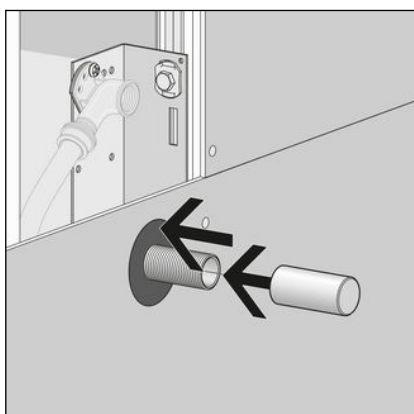
- Attach odour trap. Tighten with a ring spanner (SW 8).
- The interval between the drill holes is 80 mm.
- Connect on the wastewater side.

3.2.2 Rounding off jobs

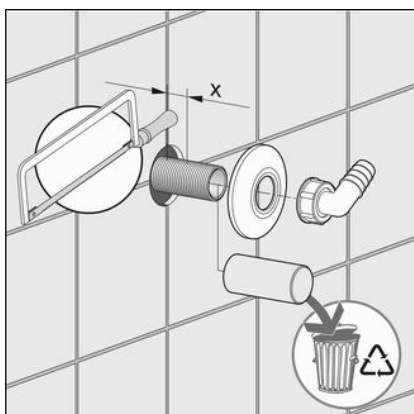


- Single clad pre-wall: Clad with 12.5 mm wide IFGP or 12 mm wide Aqua-KS cladding panels.

When doing so, make sure that no abutting edges converge.



- Attach sealing collar.
- Push the protective cap onto the thread.
- Grout the abutting edges and joints with a suitable filler.
- Observe the instruction manual for the cladding panels for more information.



- Remove and dispose of the protective cap after tiling.
- Shorten the thread to the correct length (X) with a saw.
- Mount the rosette.
- Attach the hose screw fitting and check for leak tightness.

3.3 Disposal

Separate the product and packaging materials (e. g. paper, metal, plastic or non-ferrous metals) and dispose of in accordance with valid national legal requirements.



Viega GmbH & Co. KG
service-technik@viega.de
viega.com

INT • 2022-08 • VPN170182

