

Instructions for Use

Washbasin module



for washbasins with single-hole fitting

Model
8055.5

Year built (from)
08/2015

viega

Table of contents

1	About these instructions for use	3
	1.1 Target groups	3
	1.2 Labelling of notes	3
	1.3 About this translated version	4
2	Product information	5
	2.1 Standards and regulations	5
	2.2 Intended use	5
	2.2.1 Areas of use	5
	2.3 Product description	6
	2.3.1 Overview	6
	2.3.2 Compatible components	6
	2.3.3 Sound protection	7
	2.3.4 Technical data	7
	2.4 Accessories and spare parts	8
3	Handling	9
	3.1 Assembly information	9
	3.1.1 Mounting conditions	9
	3.1.2 Installation dimensions	9
	3.1.3 Required tools	10
	3.2 Assembly	10
	3.2.1 Mounting module	10
	3.2.2 Rounding off jobs	13
	3.3 Cleaning and maintenance	17
	3.4 Disposal	18

1 About these instructions for use

Trade mark rights exist for this document, further information can be found at viega.com/legal.

1.1 Target groups

The information in this instruction manual is directed at the following groups of people:

- Heating and sanitary professionals and trained personnel
- Drywall builder

It is not permitted for individuals without the abovementioned training or qualification to mount, install and, if required, maintain this product. This restriction does not extend to possible operating instructions.

The installation of Viega products must take place in accordance with the general rules of engineering and the Viega instructions for use.

1.2 Labelling of notes

Warning and advisory texts are set aside from the remainder of the text and are labelled with the relevant pictographs.



DANGER!

This symbol warns against possible life-threatening injury.



WARNING!

This symbol warns against possible serious injury.



CAUTION!

This symbol warns against possible injury.



NOTICE!

This symbol warns against possible damage to property.



Notes give you additional helpful tips.

1.3 About this translated version

This instruction for use contains important information about the choice of product or system, assembly and commissioning as well as intended use and, if required, maintenance measures. The information about the products, their properties and application technology are based on the current standards in Europe (e. g. EN) and/or in Germany (e. g. DIN/DVGW).

Some passages in the text may refer to technical codes in Europe/Germany. These should serve as recommendations in the absence of corresponding national regulations. The relevant national laws, standards, regulations, directives and other technical provisions take priority over the German/European directives specified in this manual: The information herein is not binding for other countries and regions; as said above, they should be understood as a recommendation.

2 Product information

2.1 Standards and regulations

The following standards and regulations apply to Germany / Europe. National regulations can be found on the relevant web site of your country at viega.com/standards.

Regulations from section: Fields of application / Mounting conditions

Scope / Notice	Regulations applicable in Germany
suitable masonry walls	EN 1996-1-1
suitable concreted walls	DIN 1045
suitable support profiles	DIN 18183

Regulations from section: Sound protection

Scope / Notice	Regulations applicable in Germany
Fulfilled noise protection requirements	DIN 4109
Fulfilled noise protection requirements	DIN 4109 (additional sheet 2)
Fulfilled noise protection requirements	VDI 4100 SSt I-SSt II

2.2 Intended use

2.2.1 Areas of use

The Viega washbasin module is suitable for mounting on wall constructions pursuant to the regulations in section [↗](#) 'Regulations from section: Fields of application / Mounting conditions' on page 5 and is intended for use in a Steptec pre-wall construction.

2.3 Product description

2.3.1 Overview

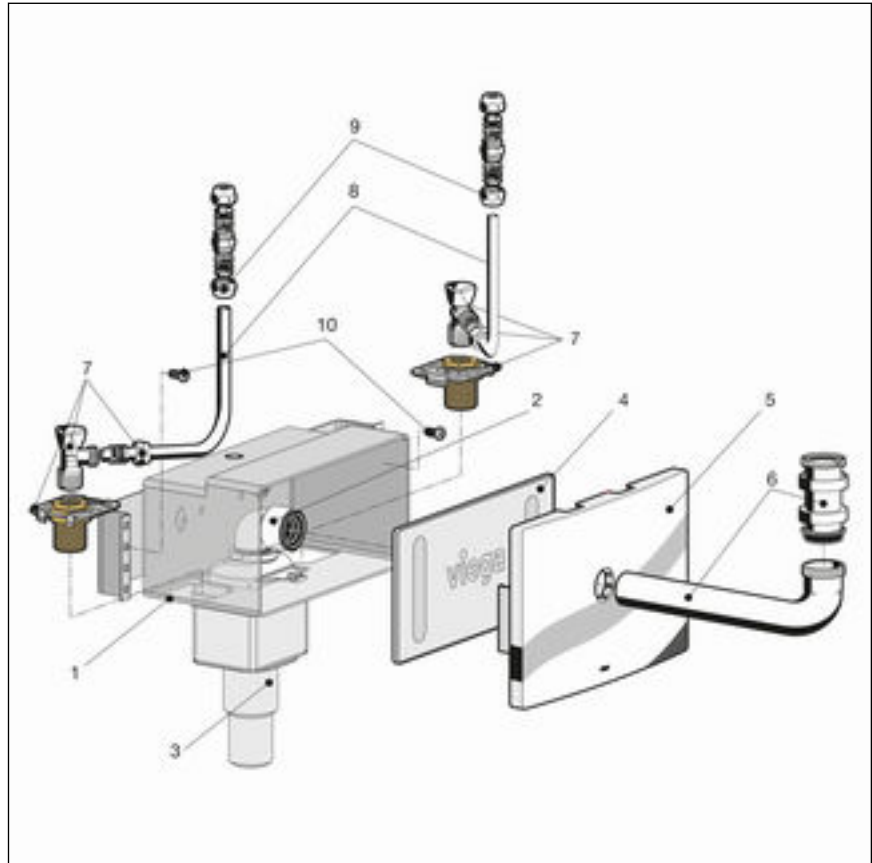


Fig. 1: Components and scope of delivery

- 1 - casing with concealed connection box
- 2 - concealed odour trap
- 3 - drainage connection DN 40 / 50
- 4 - site protection
- 5 - chrome-plated plastic cover plate
- 6 - drain elbow
- 7 - corner valves incl. wall lead-in
- 8 - pipe elbow, 10 mm, chrome-plated
- 9 - compression fitting, 10 mm
- 10 - fixing screws for mounting bracket with concealed connection box

2.3.2 Compatible components

The module is compatible with all common washbasin ceramics, even with larger projection (barrier-free).

2.3.3 Sound protection

The washbasin module complies with the noise insulation requirements specified in section ↗ 'Regulations from section: Sound protection' on page 5.

2.3.4 Technical data

The product has the following technical data:

drain elbow	DN 40 / 50
Rubber nipple	DN 40 / 30

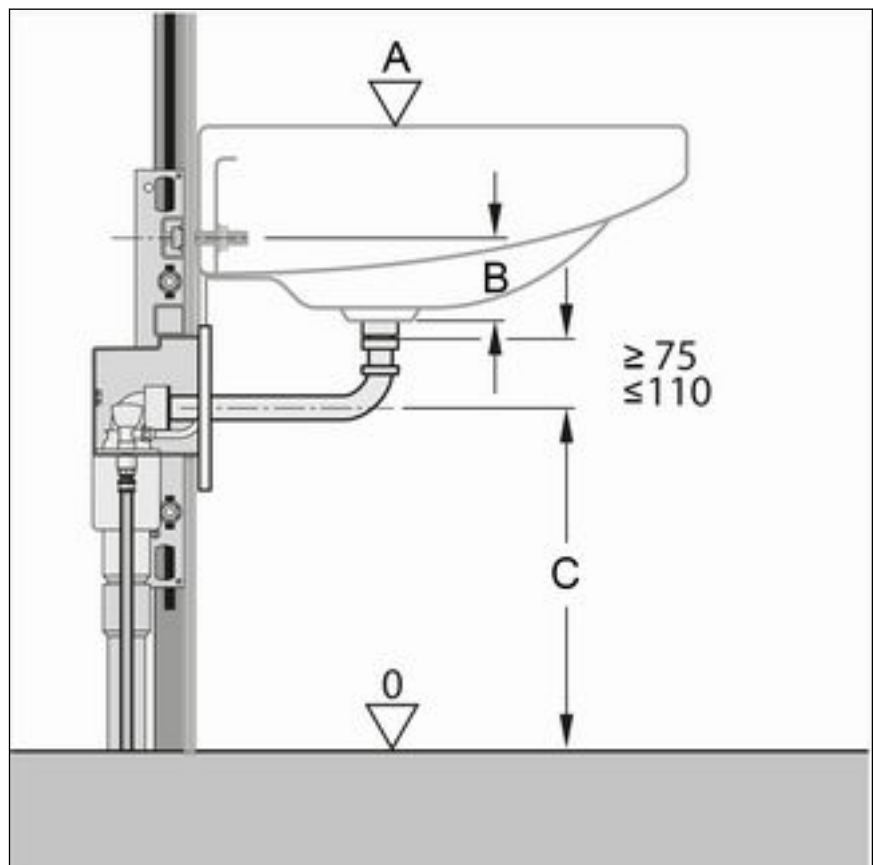


Fig. 2: Installation height

- A - 850 mm above UEFFL
- B - Observe the ceramic manufacturer's instructions
- C - Observe the ceramic manufacturer's instructions

2.4 Accessories and spare parts

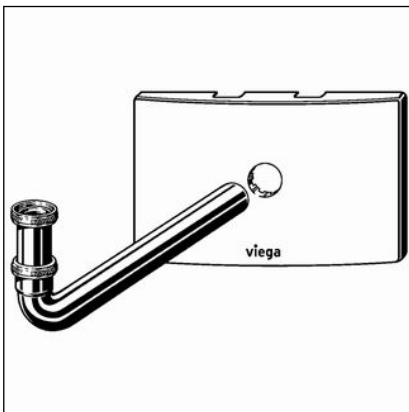
Spare parts



Drain elbow, model 8064.90, art. no. 743208

- chrome-plated
- with flanged rim

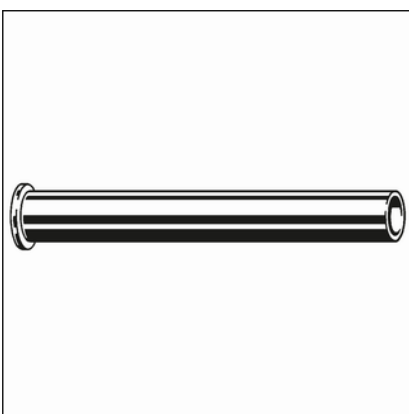
Fig. 3: drain elbow



Ready-to-install set, model 8314.5, art. no. 734848, consisting of

- cover plate
- drain elbow
- drainpipe with flanged rim, 75 mm

Fig. 4: Ready-to-install set



Drainpipe, model 9945-143

- with flanged pipe
- suitable for the ready-to-install set, model 8314.5
- available in the following versions:
 - 75 mm, art. no. 121587
 - 120 mm, art. no. 670856
 - 150 mm, art. no. 670863

Fig. 5: drainpipe

3 Handling

3.1 Assembly information

3.1.1 Mounting conditions

Suitable walls

For this, observe the Steptec system instructions for use.

Construction height

With the construction height, the marked height of the upper edge of the finished floor must be observed.

3.1.2 Installation dimensions

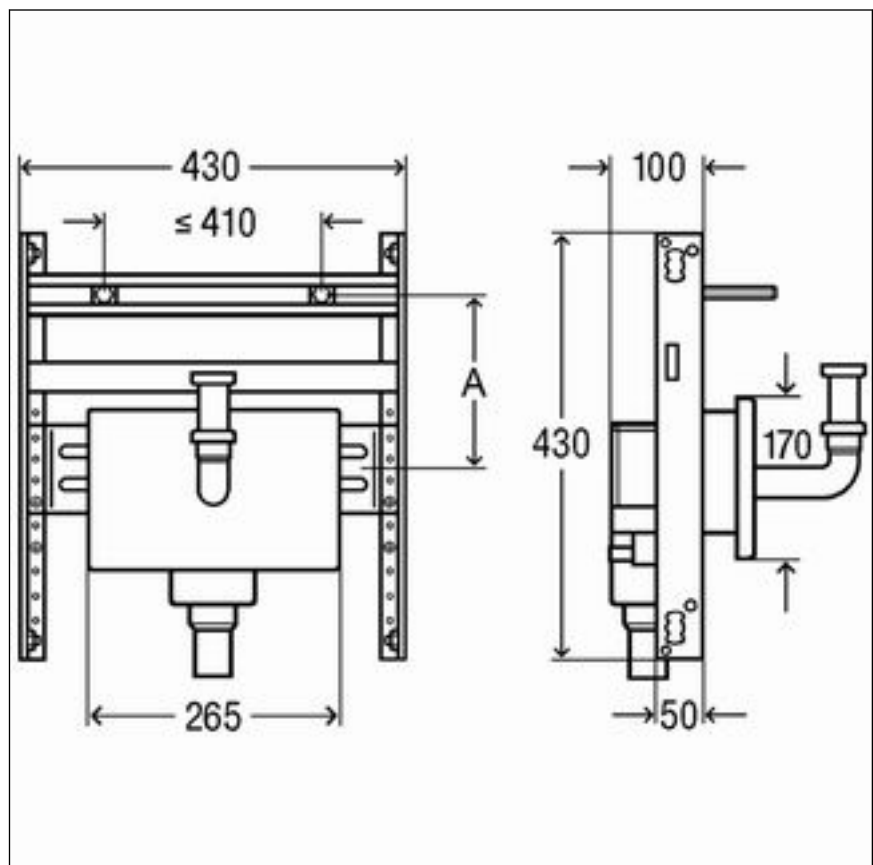


Fig. 6: Dimensions

A - adjustable height

3.1.3 Required tools

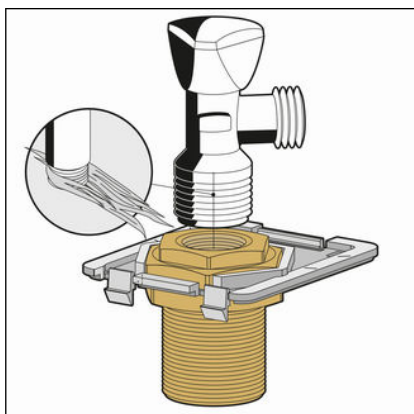
The following tools are required for mounting the washbasin module:

- fork or ring spanner: 17 mm / 19 mm
- Phillips-tip screwdriver
- cutting knife
- hacksaw

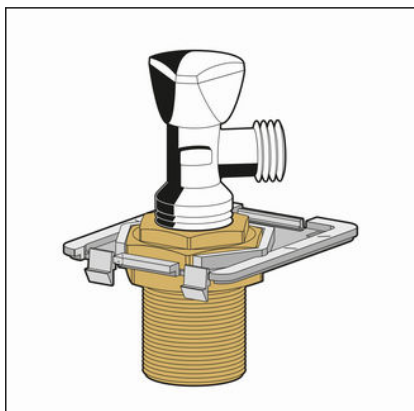
3.2 Assembly

3.2.1 Mounting module

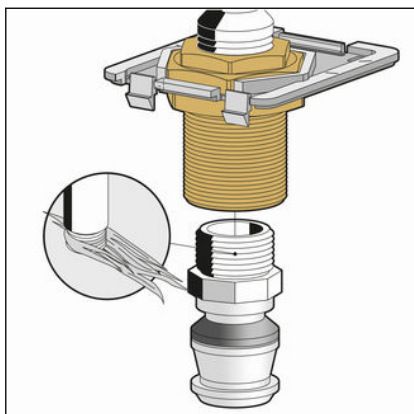
Preparing concealed connection box



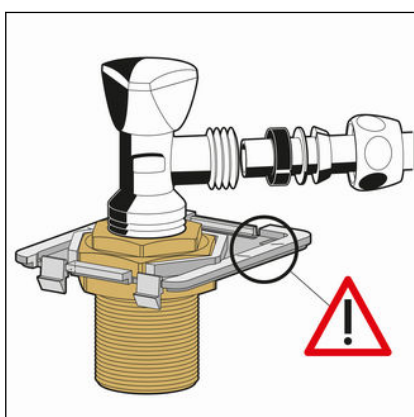
- Seal corner valve or seal with hemp.



- Screw the corner valve into the screw fitting.

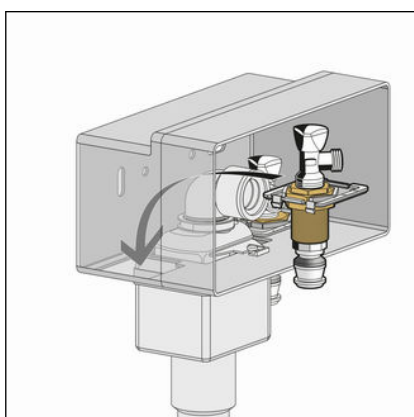


➤ Seal and screw in a suitable pipeline adapter.

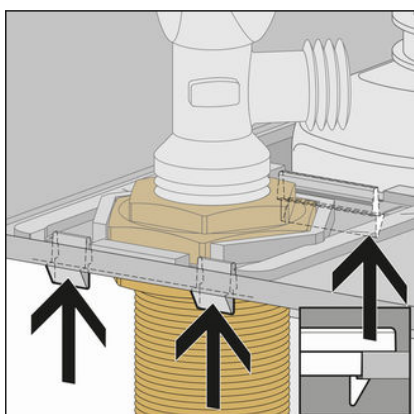


INFO! Observe the additional markings when aligning the corner valves.

➤ Screw in until the connection to the washbasin fitting is between the markings.



➤ Mount the entire seats in the concealed connection box.



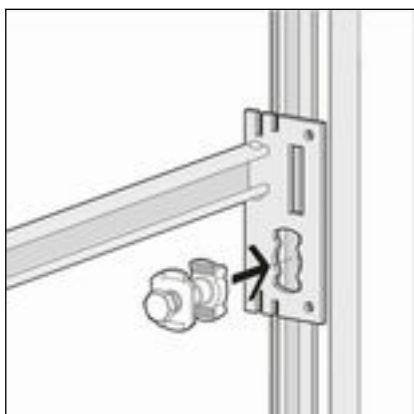
□ The object can be heard locking into place.

Mounting in Steptec

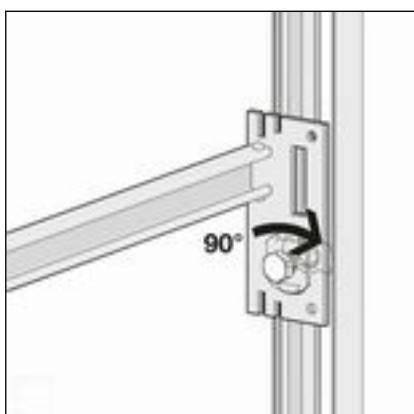


The two vertical rails, which surround the module, must be open towards the module and be at an interval of 430 mm.

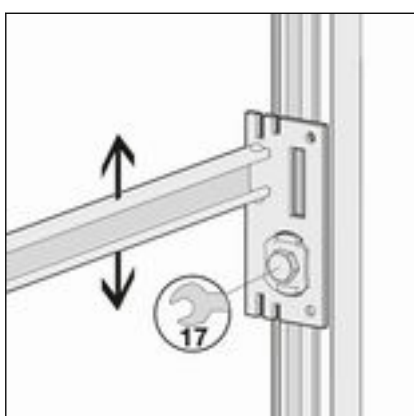
Securing module



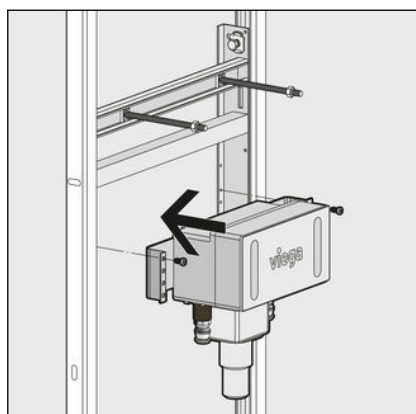
- Secure the module onto the open Steptec rail with the slot nuts supplied:
- Insert the slot nut into the opening of the module.



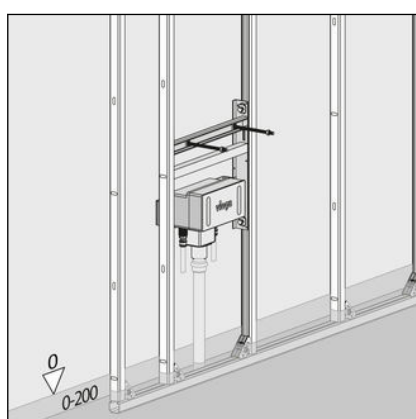
- Push the slot nut in slightly.
- Turn by 90°.
 - The slot nut is secured in the Steptec rail.



- Align the height of the module.
- Tighten the slot nut with a ring spanner (SW 17).
- Tighten the other slot nuts in the same way.
 - The module is secured on the rail framework.

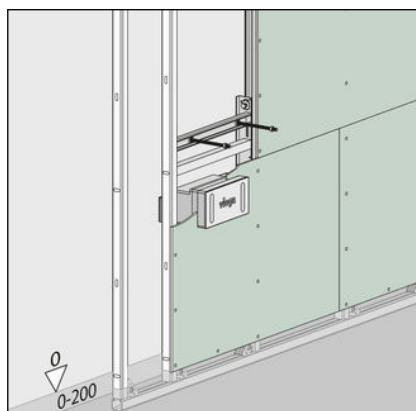


- Screw in threaded bolt.
- Secure the concealed connection box onto the bracket in the washbasin module with the screws supplied.



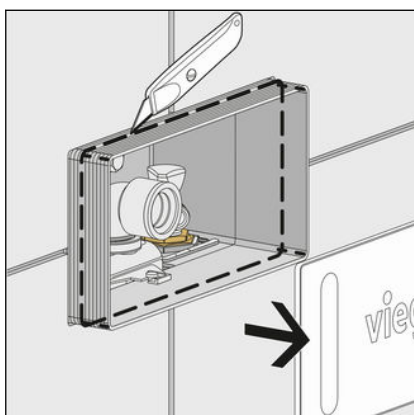
- Manufacture hot and cold water connections.
- Make wastewater connection.

3.2.2 Rounding off jobs

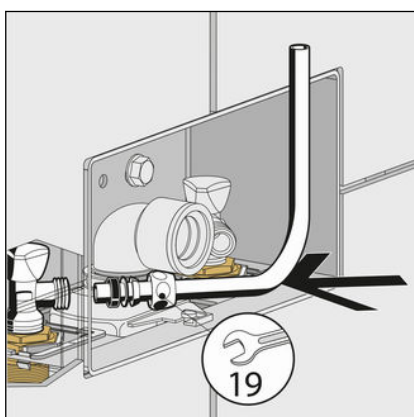


- Single clad pre-wall: Clad with 12.5 mm wide IFGP or 12 mm wide Aqua-KS cladding panels.
When doing so, make sure that no abutting edges converge.
- Grout the abutting edges and joints with a suitable filler.
- Observe the instruction manual for the cladding panels for more information.

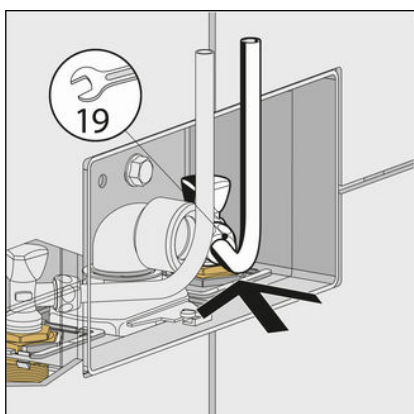
Final assembly of the concealed connection box



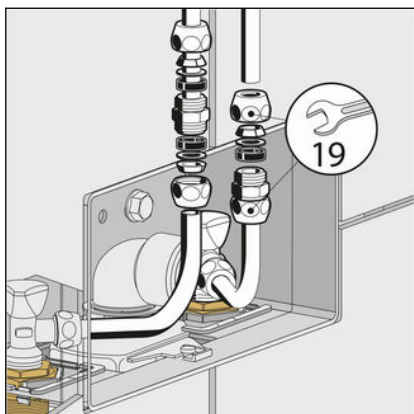
- Remove site protection.
- Cut the shaft of the concealed connection box flush with tiles.



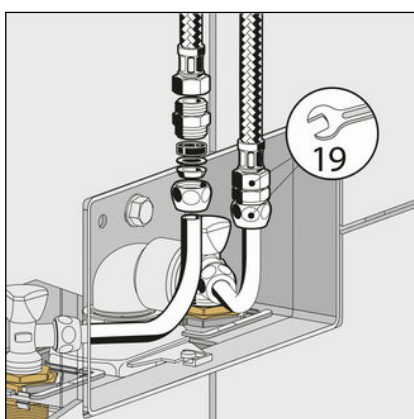
- Manufacture the connection for the washbasin fitting on one side above the copper pipe supplied.
If necessary, the chrome-plated pipe elbow supplied must be cut to the corresponding length.



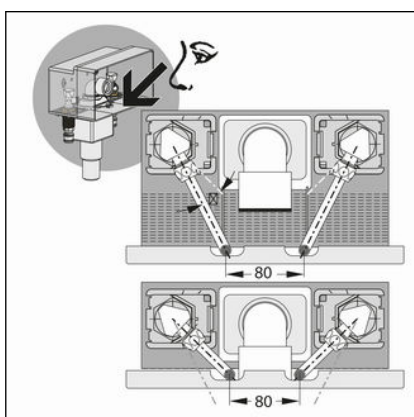
- Manufacture the second connection on the other side in the same way.



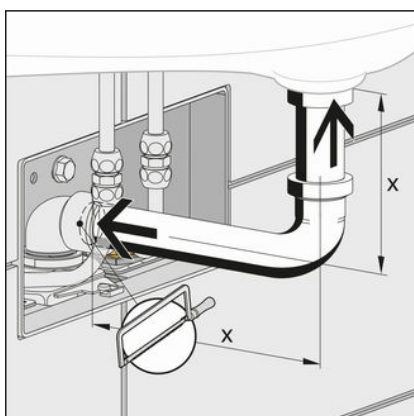
- Shorten copper pipe. The connection of the compression screw fitting must be within the concealed connection box.
- Attach compression screw fitting.



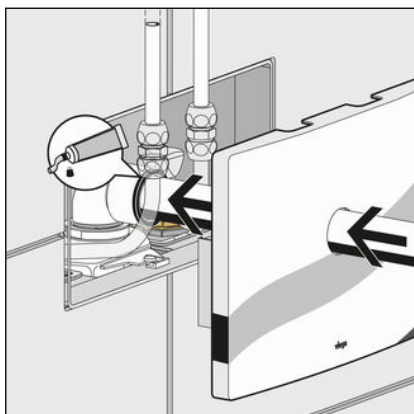
- Optionally, the washbasin fitting can also be connected to the concealed connection box using flexible hoses.



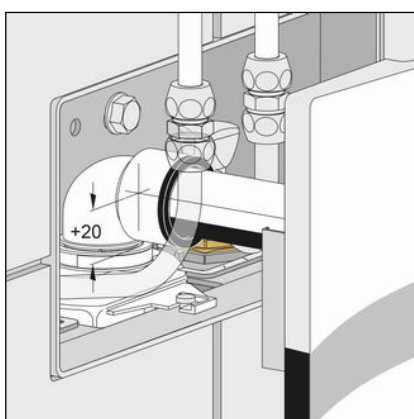
- Align corner valves.
When doing so, align the pipe elbow to the marking aid (line on the concealed connection box).



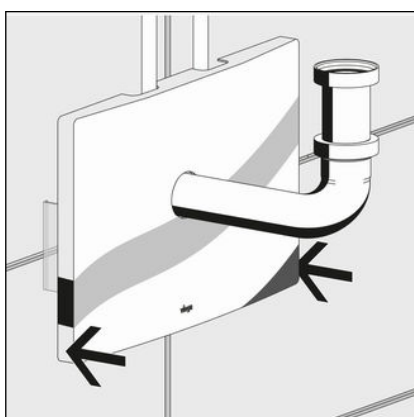
- Insert the drain elbow into the lip seal of the odour trap.
- Identify sizes on the drain elbow and adjusting pipe that may have to be shortened.
The sizes are marked in the diagram with X and are dependent on the chosen washbasin fitting.



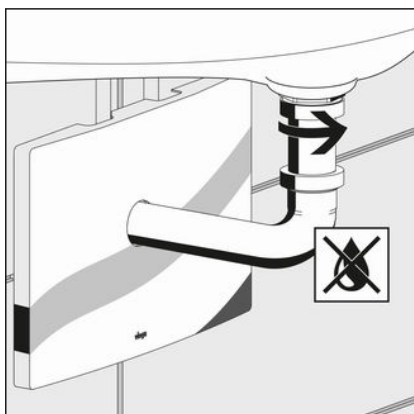
- Deburr cut edge.
Grease lip seal.
- Insert the drain elbow through the cover plate in the lip seal of the odour trap.



- Set the odour trap to the right size at the height.
The vertical setting range is 20 mm.

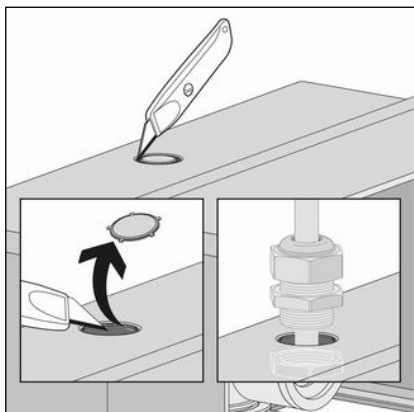


- Attach the cover plate to the concealed connection box.
The lateral supports serve as a safeguard against distortion.



- Turn the drain elbow to the right and in doing so secure it to the washbasin.
When doing so, check for leaks.

Optional cable inlet

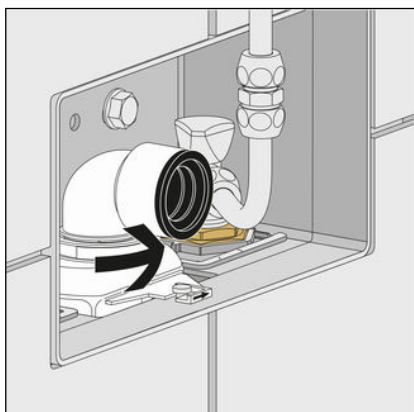


INFO! On the top of the concealed connection box a section can be cut out which, for example, can be used as a cable passage.

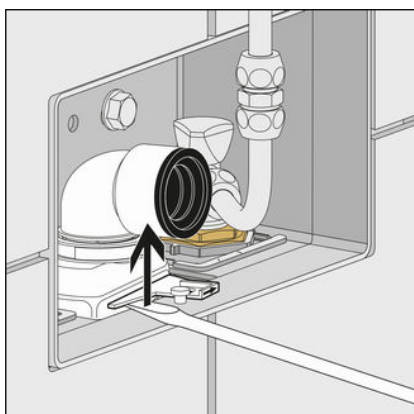
- Cut out and remove the area with a cutting knife.
- Lead the cable through the opening and secure.

3.3 Cleaning and maintenance

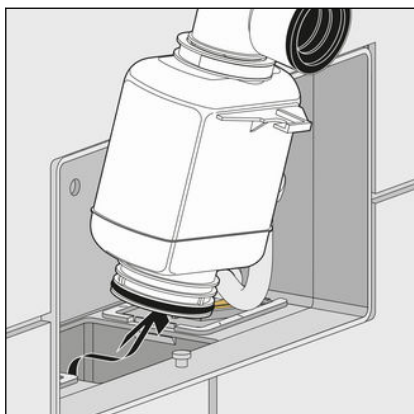
Cleaning the concealed odour trap



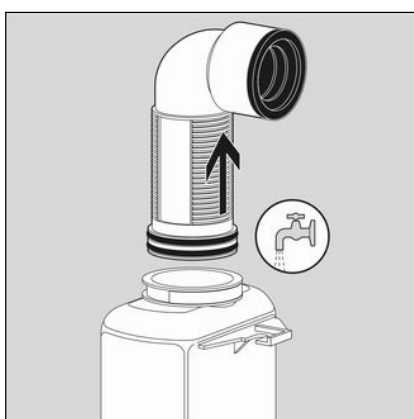
- Turn the odour trap anti-clockwise.
When doing so, unlatch the clip to the right.



- Lift up the odour trap.

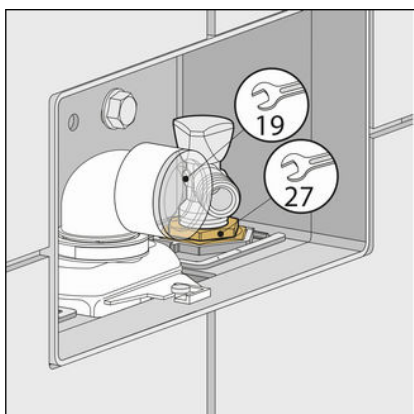


- Remove the odour trap for cleaning.



- Pull out the adjusting pipe upwards to clean.

Replacing the corner valves



- Cut the water supply.
- When replacing the corner valve, counter the screw fitting with a spanner (SW 27).

3.4 Disposal

Separate the product and packaging materials (e. g. paper, metal, plastic or non-ferrous metals) and dispose of in accordance with valid national legal requirements.



Viega GmbH & Co. KG
service-technik@viega.de
viega.com

INT • 2022-08 • VPN170169

