

Instructions for Use

Urinal module



for "Joly" and "Visit" (Keramag) urinal, connection of the Visign equipment set (manual and touchless flush actuation)

Model
8127.3

Year built (from)
03/2009

viega

Table of contents

1	About these instructions for use	3
	1.1 Target groups	3
	1.2 Labelling of notes	3
	1.3 About this translated version	4
2	Product information	5
	2.1 Standards and regulations	5
	2.2 Intended use	5
	2.2.1 Areas of use	5
	2.3 Product description	6
	2.3.1 Overview	6
	2.3.2 Compatible components	6
	2.3.3 Sound protection	7
	2.3.4 Technical data	7
3	Handling	8
	3.1 Assembly information	8
	3.1.1 Mounting conditions	8
	3.1.2 Required tools	8
	3.2 Assembly	8
	3.2.1 Mounting module	8
	3.2.2 Rounding off jobs	14
	3.3 Disposal	14

1 About these instructions for use

Trade mark rights exist for this document, further information can be found at viega.com/legal.

1.1 Target groups

The information in this instruction manual is directed at the following groups of people:

- Heating and sanitary professionals and trained personnel

It is not permitted for individuals without the abovementioned training or qualification to mount, install and, if required, maintain this product. This restriction does not extend to possible operating instructions.

The installation of Viega products must take place in accordance with the general rules of engineering and the Viega instructions for use.

1.2 Labelling of notes

Warning and advisory texts are set aside from the remainder of the text and are labelled with the relevant pictographs.



DANGER!

This symbol warns against possible life-threatening injury.



WARNING!

This symbol warns against possible serious injury.



CAUTION!

This symbol warns against possible injury.



NOTICE!

This symbol warns against possible damage to property.



Notes give you additional helpful tips.

1.3 About this translated version

This instruction for use contains important information about the choice of product or system, assembly and commissioning as well as intended use and, if required, maintenance measures. The information about the products, their properties and application technology are based on the current standards in Europe (e. g. EN) and/or in Germany (e. g. DIN/DVGW).

Some passages in the text may refer to technical codes in Europe/Germany. These should serve as recommendations in the absence of corresponding national regulations. The relevant national laws, standards, regulations, directives and other technical provisions take priority over the German/European directives specified in this manual: The information herein is not binding for other countries and regions; as said above, they should be understood as a recommendation.

2 Product information

2.1 Standards and regulations

The following standards and regulations apply to Germany / Europe. National regulations can be found on the relevant web site of your country at viega.com/standards.

Regulations from section: Sound protection

Scope / Notice	Regulations applicable in Germany
Fulfilled noise protection requirements	DIN 4109
Fulfilled noise protection requirements	DIN 4109 (additional sheet 2)
Fulfilled noise protection requirements	VDI 4100 SSt I-SSt II

2.2 Intended use

2.2.1 Areas of use

The urinal module is designed for mounting in a Steptec pre-wall construction.

2.3 Product description

2.3.1 Overview

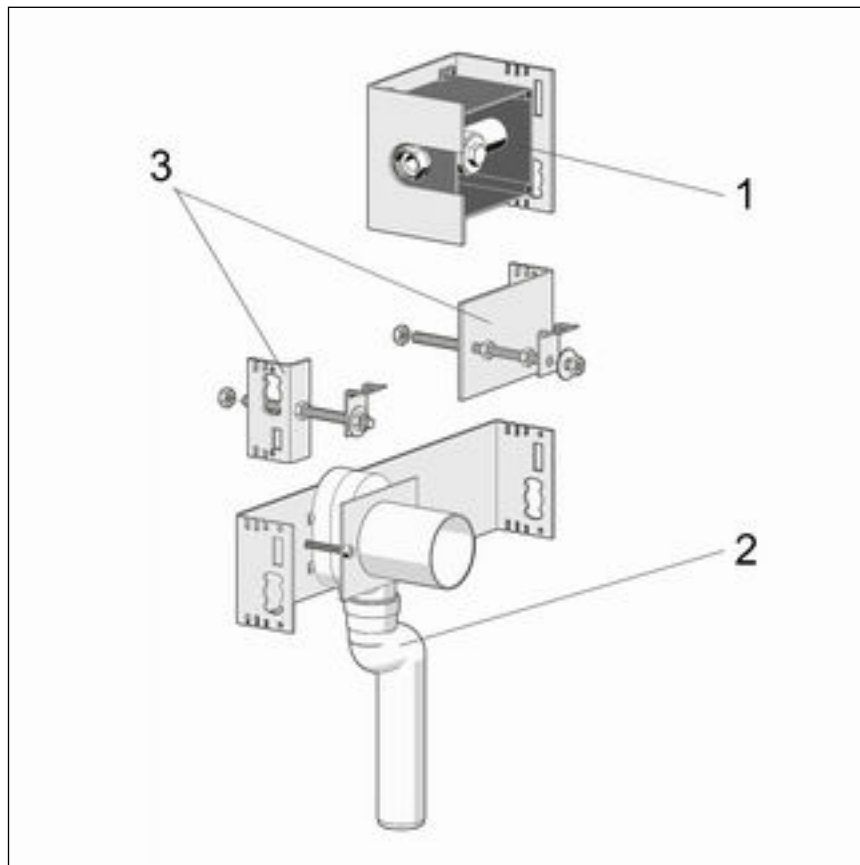


Fig. 1: Components

- 1 - urinal installation set
- 2 - suction moulded piece
- 3 - connection for Keramag "Joly" and "Visit"

2.3.2 Compatible components

The urinal module is compatible with the urinals "Joly" and "Visit" by Keramag.

Compatible flush plates

Product	Name	Model
Visign for Style	Flush plate Visign for Style 10	8315.2
	Flush plate Visign for Style 11	8331.2
	Flush plate Visign for Style 12	8332.2

Product	Name	Model
	Flush plate Visign for Style 13	8333.2
	Flush plate Visign for Style 14	8334.2
Visign for More	Flush plate Visign for More 100	8352.2
	Flush plate Visign for More 102	8353.2
	Flush plate Visign for More 103	8355.2
	Flush plate Visign for More 104	8354.2
Visign for Public	Flush plate Visign for Public	8326.2
	Remote actuation Visign for Public	8326.55
	Remote actuation Visign for Public	8326.65
	Cover plate Visign for Public	8326.7

2.3.3 Sound protection

The urinal module complies with the noise insulation requirements specified in section [↗](#) 'Regulations from section: Sound protection' on page 5.

2.3.4 Technical data

The product has the following technical data:

drain elbow	DN 50
Fitting connection	Rp ½
Maximum height of urinal inlet from upper edge of the finished floor	<ul style="list-style-type: none"> ■ with basic element construction height 1130 = 880 mm ■ with basic element construction height 1370 = 1120 mm

3 Handling

3.1 Assembly information

3.1.1 Mounting conditions

Construction height

With the construction height, the marked height of the upper edge of the finished floor must be observed.

Actuation

The actuation takes place via manual flush actuation, connection of the Visign equipment set.

3.1.2 Required tools

The following tools are required for mounting the urinal module:

- fork or ring spanner: 17 mm / 19 mm
- Phillips-tip screwdriver

3.2 Assembly

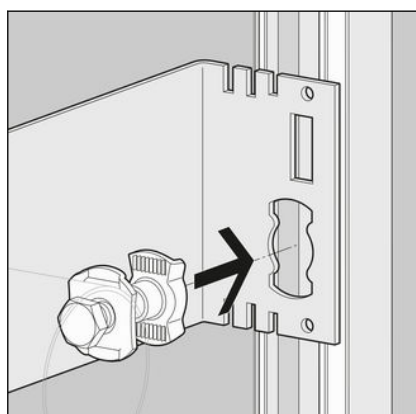
3.2.1 Mounting module

Mounting in Steptec

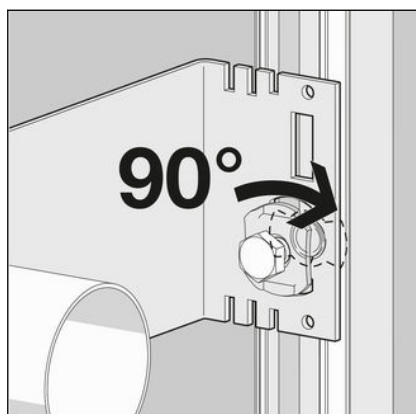


The two vertical rails, which surround the module, must be open towards the module and be at an interval of 430 mm.

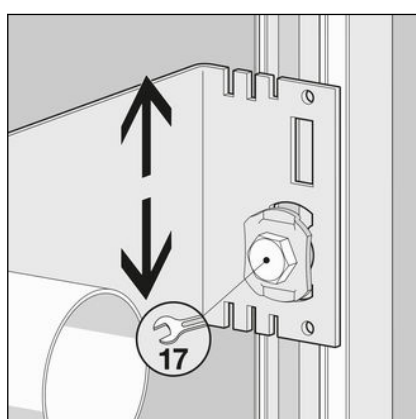
Securing module



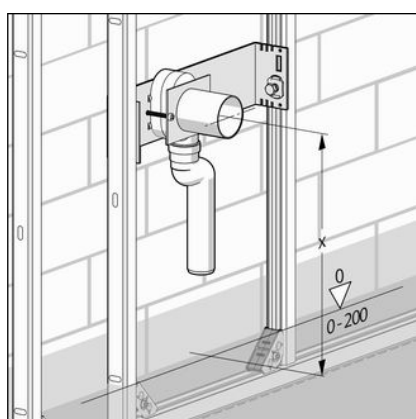
- Secure the module onto the open Steptec rail with the slot nuts supplied:
- Insert the slot nut into the opening of the module.



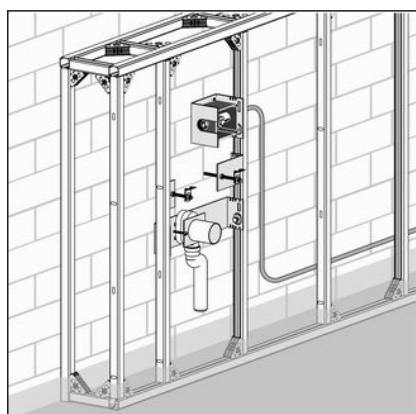
- Push the slot nut in slightly.
- Turn by 90°.
- ◻ The slot nut is secured in the Steptec rail.



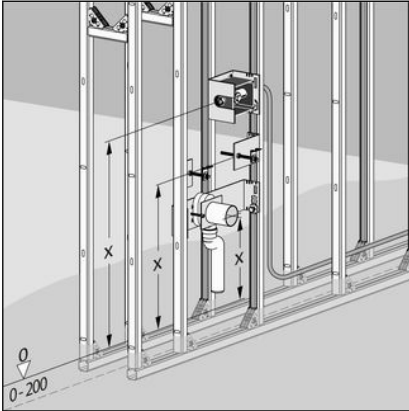
- Align the height of the module.
- Tighten the slot nut with a ring spanner (SW 17).
- Tighten the other slot nuts in the same way.
- ◻ The module is secured on the rail framework.



- Set desired height for the bracket of the drain elbow (X). When doing so, observe the upper edge of the finished floor.



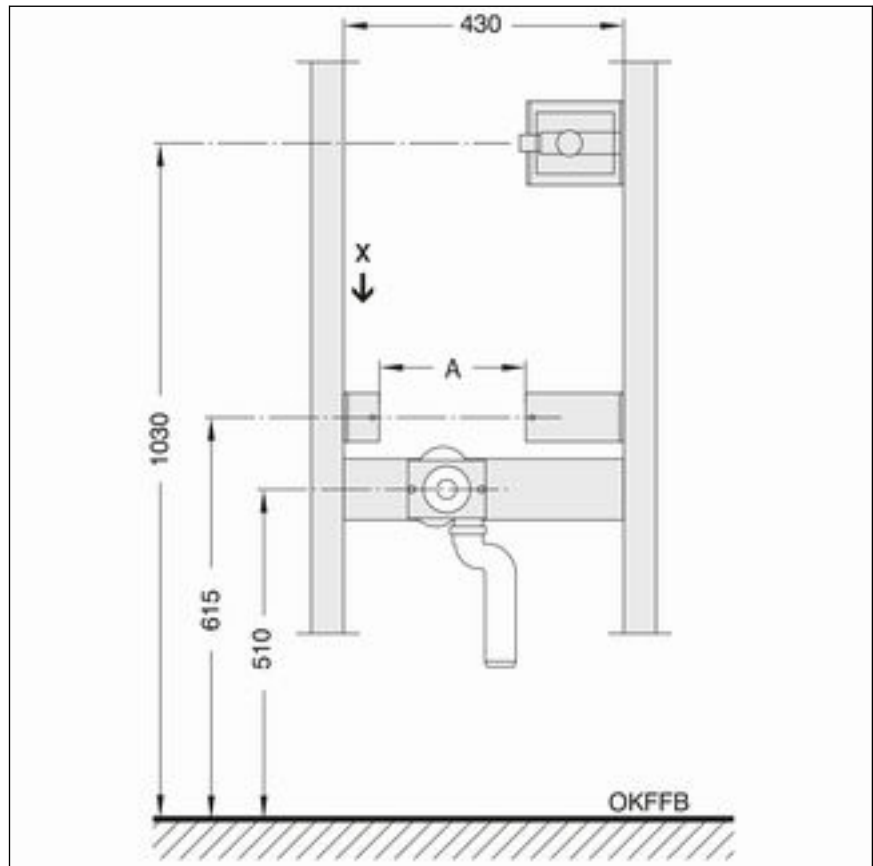
- Make water connection.



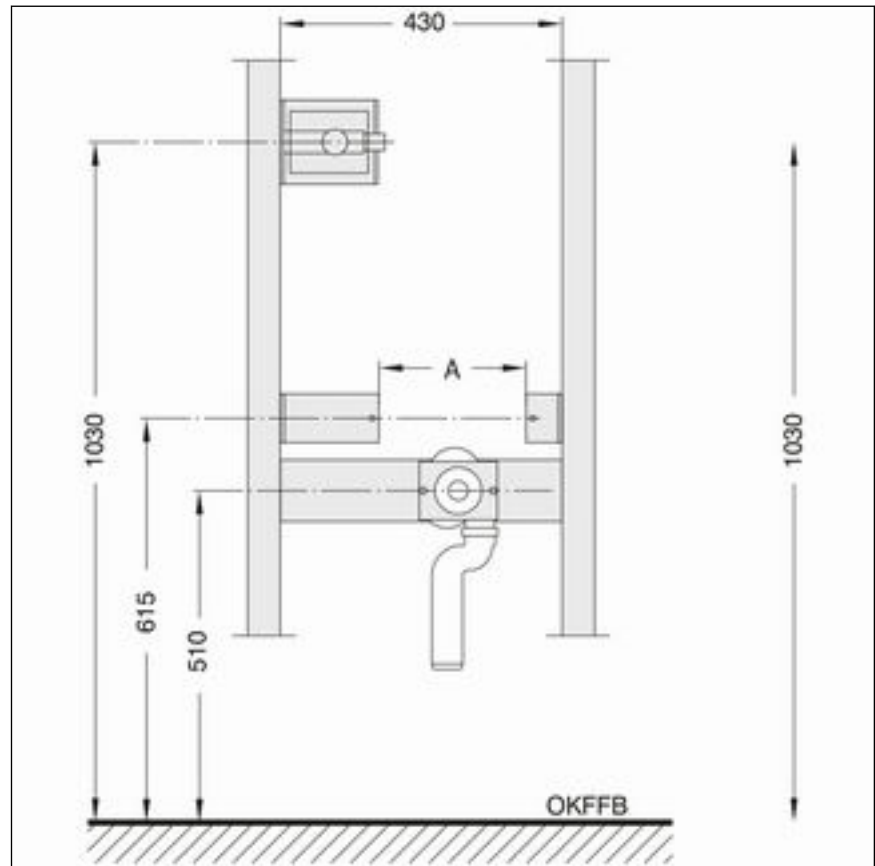
► Check height settings.

In addition, observe the following details.

Keramag 'Joly'

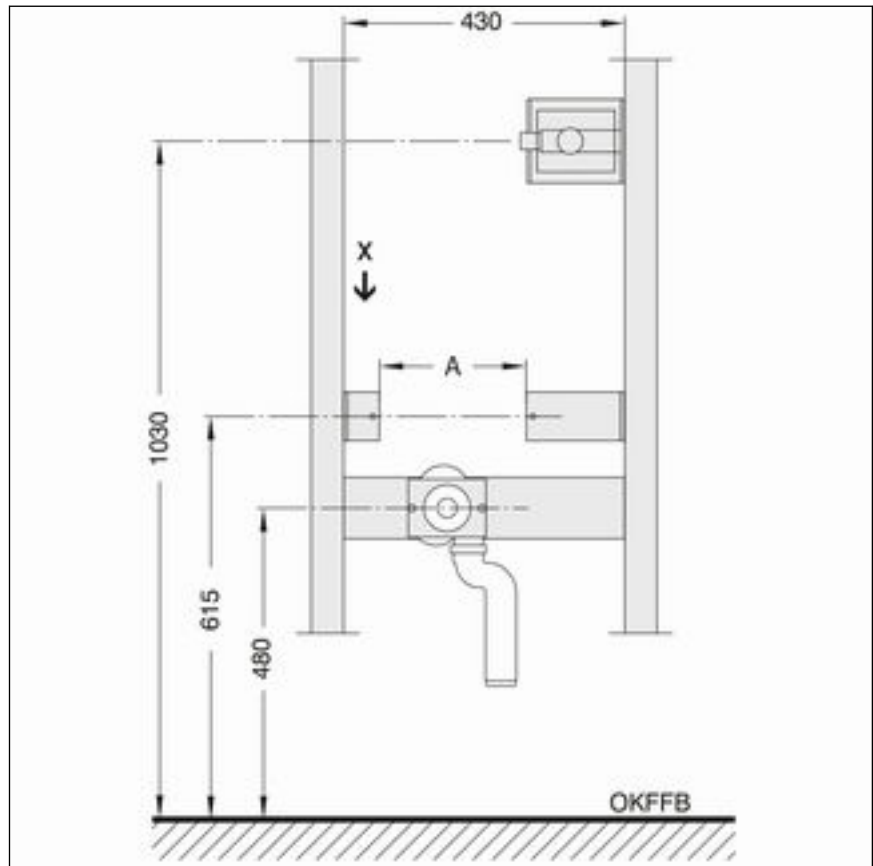


A - The size results from

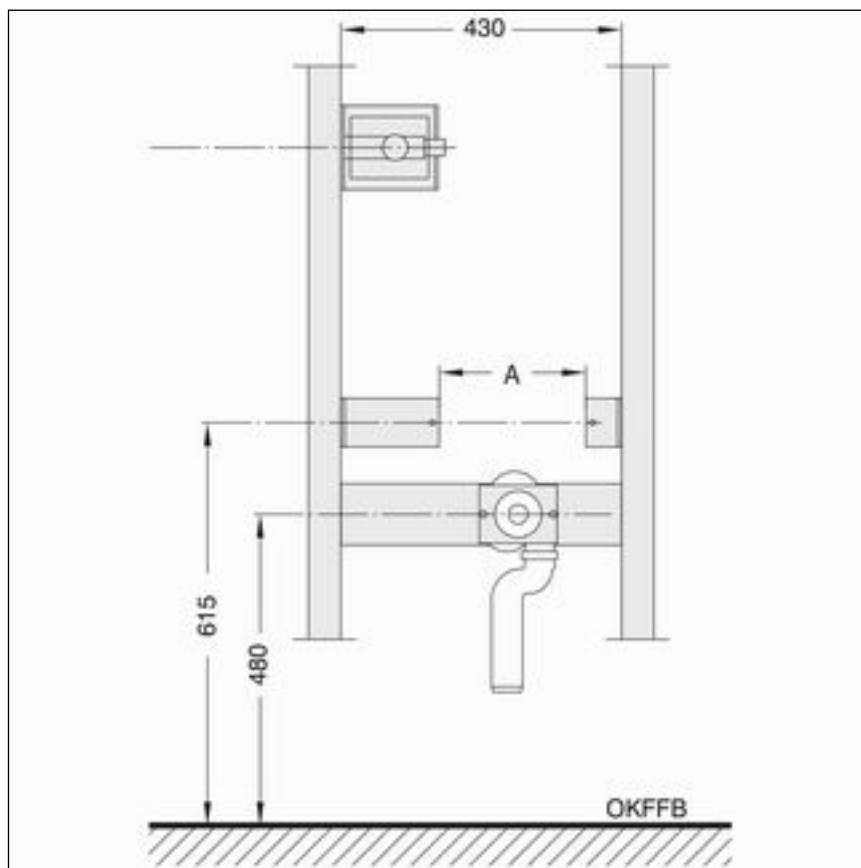


A - The size results from

Keramag 'Visit'

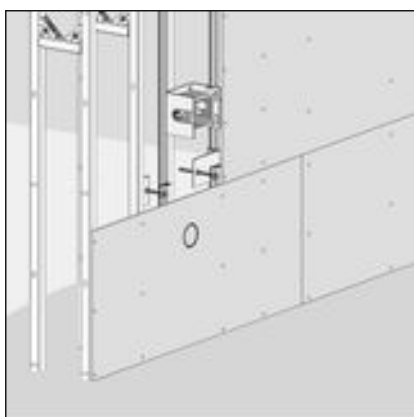


A - The size results from



A - The size results from

3.2.2 Rounding off jobs



- Single clad pre-wall: Clad with 12.5 mm wide IFGP or 12 mm wide Aqua-KS cladding panels.
When doing so, make sure that no abutting edges converge.
- Grout the abutting edges and joints with a suitable filler.
- Observe the instruction manual for the cladding panels for more information.

3.3 Disposal

Separate the product and packaging materials (e. g. paper, metal, plastic or non-ferrous metals) and dispose of in accordance with valid national legal requirements.



Viega GmbH & Co. KG
service-technik@viega.de
viega.com

INT • 2022-08 • VPN170192

