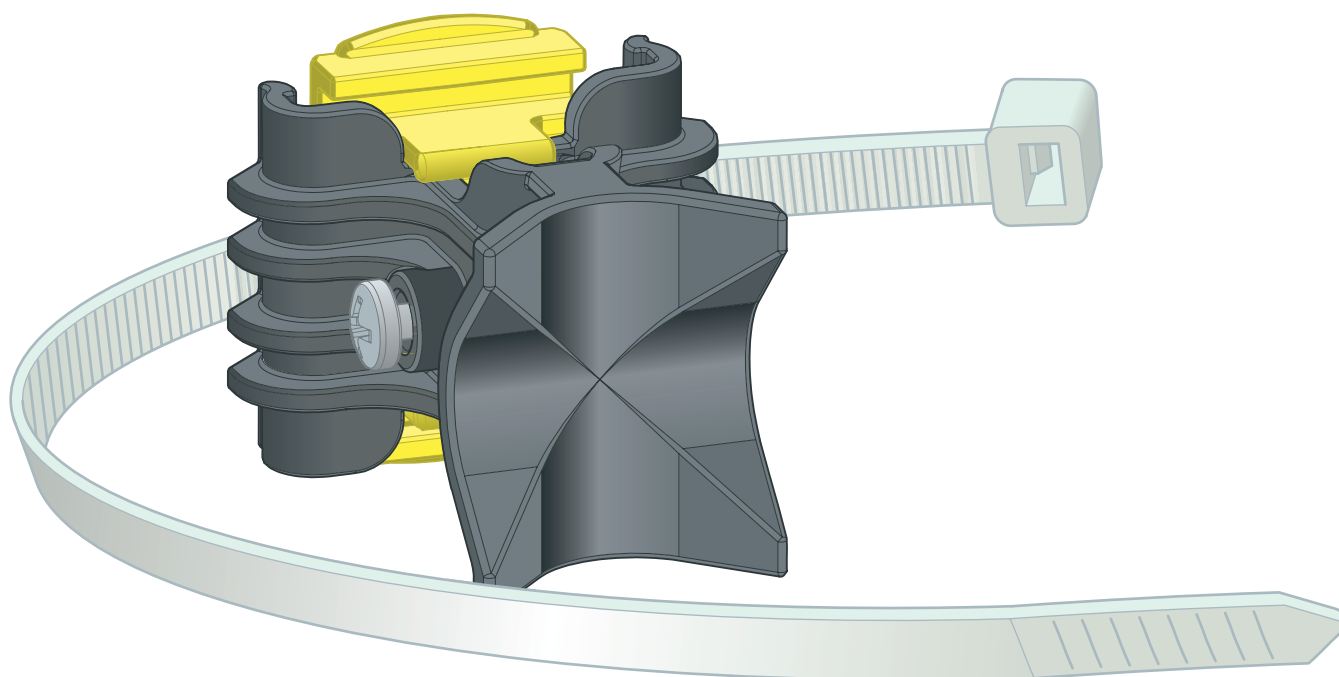


## Instructions for Use

# Prevista Dry Plus tubing support



For plastic piping d16–20, maximum surrounding insulation  
13 mm and for Prevista Dry Plus mounting rail model 8401

**Model**  
8416

**viega**

# Table of contents

<b>1</b>	<b>About these instructions for use</b>	<b>3</b>
	1.1 Target groups	3
	1.2 Labelling of notes	3
	1.3 About this translated version	4
<b>2</b>	<b>Product information</b>	<b>5</b>
	2.1 Intended use	5
	2.1.1 Areas of application	5
	2.2 Product description	5
	2.2.1 Overview	5
	2.2.2 Compatible components	6
<b>3</b>	<b>Handling</b>	<b>7</b>
	3.1 Assembly	7
	3.1.1 Mounting tubing support	7
	3.2 Disposal	9

# 1 About these instructions for use

Trade mark rights exist for this document; for further information, go to [viega.com/legal](http://viega.com/legal).

## 1.1 Target groups

The information in this instruction manual is directed at the following groups of people:

- Heating and plumbing experts and trained personnel
- Drywall builders

Individuals without the abovementioned training or qualification are not permitted to mount, install and, if required, maintain this product. This restriction does not extend to possible operating instructions.

The installation of Viega products must take place in accordance with the general rules of engineering and the Viega instructions for use.

## 1.2 Labelling of notes

Warning and advisory texts are set aside from the remainder of the text and are labelled with the relevant pictographs.



### **DANGER!**

This symbol warns of possible life-threatening injury.



### **WARNING!**

This symbol warns of possible serious injury.



### **CAUTION!**

This symbol warns of possible injury.



### **NOTICE!**

This symbol warns of possible damage to property.



This symbol gives additional information and hints.

### 1.3 About this translated version

This instruction for use contains important information about the choice of product or system, assembly and commissioning as well as intended use and, if required, maintenance measures. The information about the products, their properties and application technology are based on the current standards in Europe (e.g. EN) and/or in Germany (e.g. DIN/DVGW).

Some passages in the text may refer to technical codes in Europe/Germany. These should serve as recommendations in the absence of corresponding national regulations. The relevant national laws, standards, regulations, directives and other technical provisions take priority over the German/European directives specified in this manual: The information herein is not binding for other countries and regions; as said above, they should be understood as a recommendation.

## 2 Product information

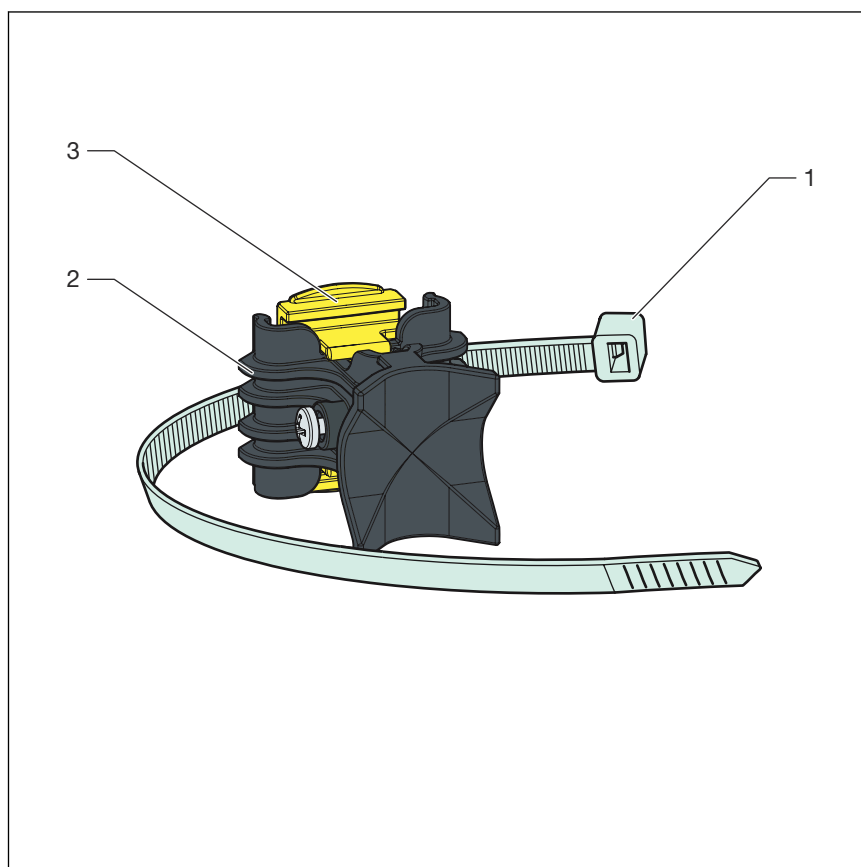
### 2.1 Intended use

#### 2.1.1 Areas of application

The Prevista Dry Plus pipe support is intended for fixing plastic pipes (d16-20) with a maximum surrounding insulation of 13 mm.

### 2.2 Product description

#### 2.2.1 Overview

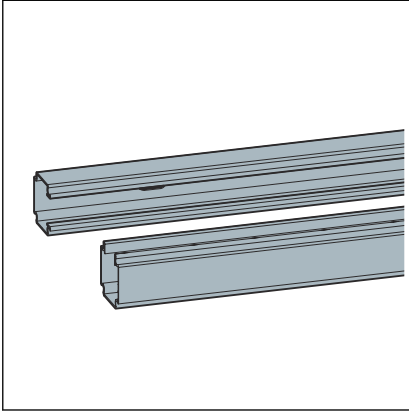


**Fig. 1: Tubing support**

- 1 Cable tie
- 2 Pipe holder
- 3 Blocking element

## 2.2.2 Compatible components

### Mounting rails



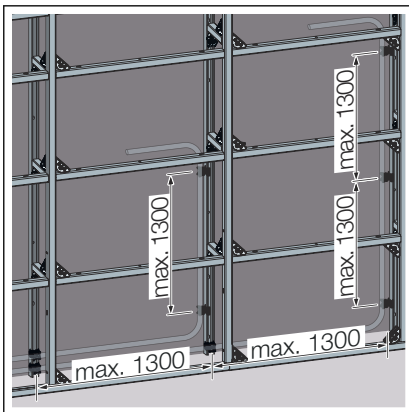
The mounting rail made of galvanized steel is 5 m long, open on one side and perforated every 30 cm for wall and floor mounting.

**Fig. 2: Mounting rail, open on one side, Model 8401**

## 3 Handling

### 3.1 Assembly

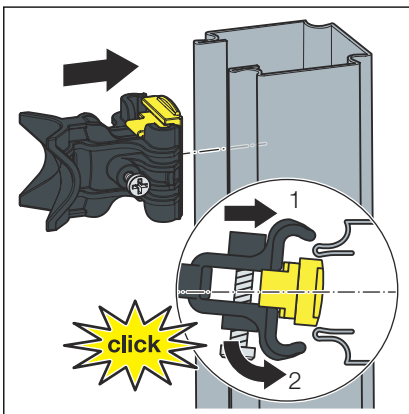
#### 3.1.1 Mounting tubing support



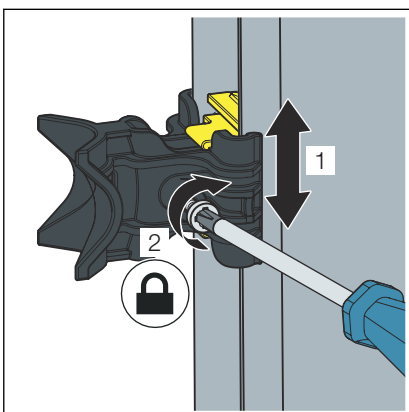
When mounting, observe the fixing distances.

Fig. 3: Fixing distances for room-high pre-wall

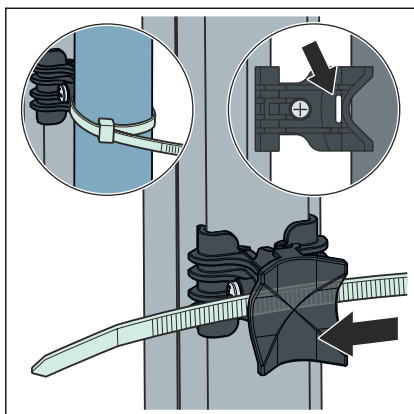
#### Mounting on the open side of the mounting rail



- On the open side of the mounting rail, mount the tubing support with the locking member on the rail .

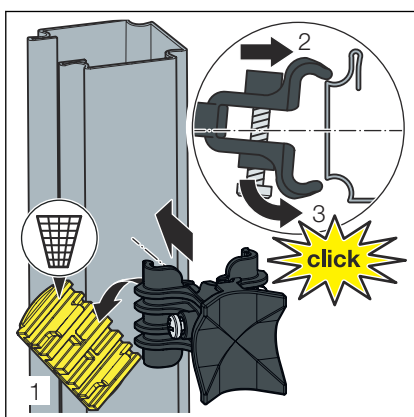


- Put the tubing support in position and fix it.

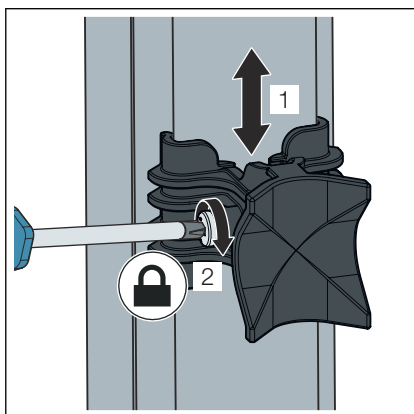


- Guide the cable pattern through the pipe holder.
- Fix the pipe to the pipe holder with the cable tie.

### Mounting on the closed side of the mounting rail

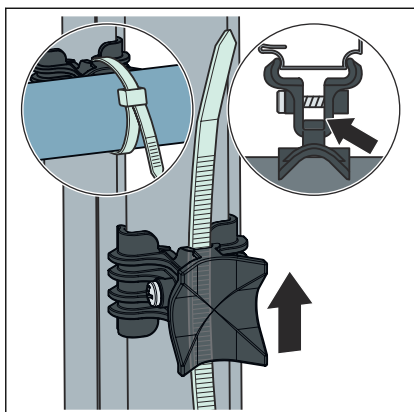


- On the closed side of the mounting rail, remove the locking member of the tubing support.
- Mount the tubing support on the closed side.



- Put the tubing support in position and fix it.





- Guide the cable pattern through the pipe holder.
- Fix the pipe to the pipe holder with the cable tie.

## 3.2 Disposal

Separate the product and packaging materials (e. g. paper, metal, plastic or non-ferrous metals) and dispose of in accordance with valid national legal requirements.



**Viega GmbH & Co. KG**  
service-technik@viega.de  
viega.com

INT • 2022-09 • VPN220251

