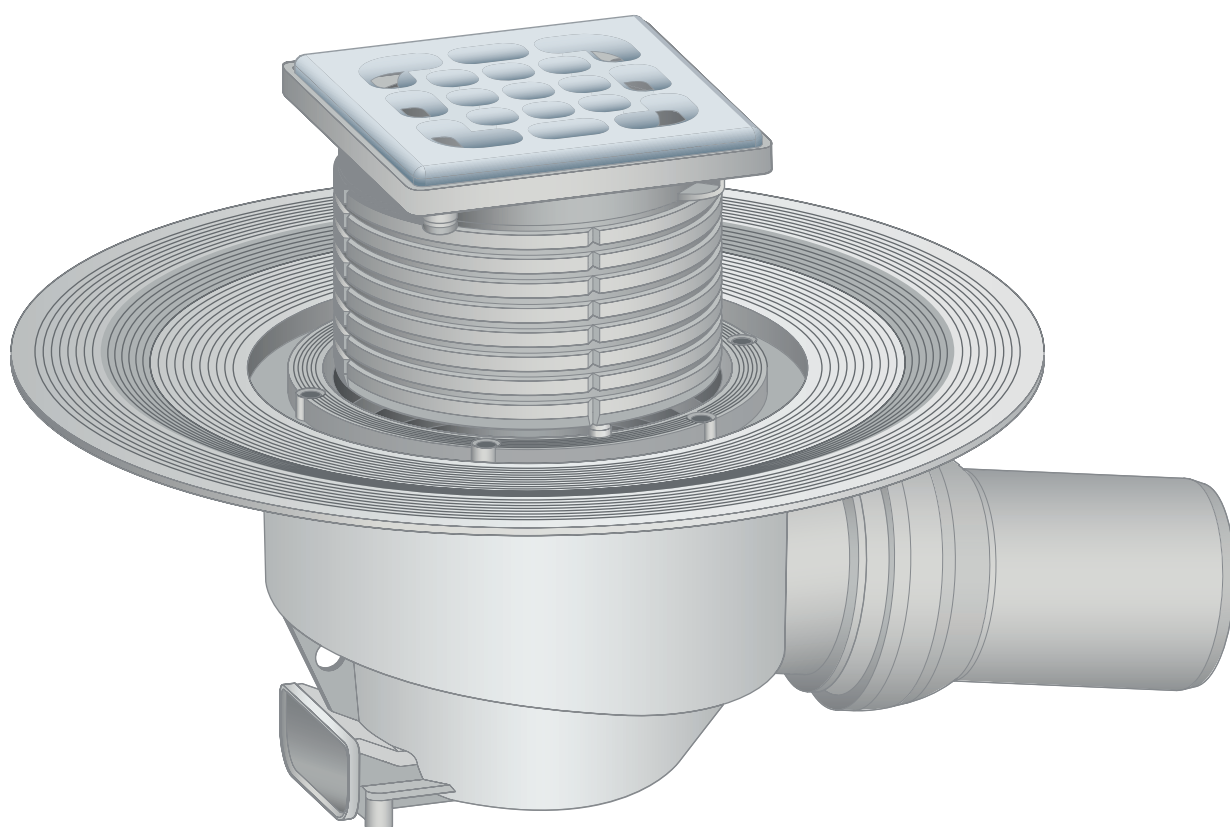


Instructions for Use
Advantix bath drain



Model
4921.76

Year built (from)
01/2005

viega

Table of contents

1	About these instructions for use	3
	1.1 Target groups	3
	1.2 Labelling of notes	3
	1.3 About this translated version	4
2	Product information	5
	2.1 Standards and regulations	5
	2.2 Certification	6
	2.3 Intended use	6
	2.3.1 Areas of application	6
	2.3.2 Media	7
	2.3.3 Drainage capacity	7
	2.4 Product description	8
	2.4.1 Overview	8
	2.4.2 Technical data	8
	2.5 Information for use	9
	2.5.1 Installation variations	9
	2.5.2 Sealing	10
	2.5.3 Fire protection	14
	2.6 Required accessories	15
3	Handling	17
	3.1 Assembly information	17
	3.1.1 Important note	17
	3.1.2 Installation dimensions	18
	3.1.3 Tools and materials	18
	3.2 Assembly	18
	3.2.1 Connecting the drain	18
	3.2.2 Preparing for subsequent work	19
	3.2.3 Sealing the drain	20
	3.2.4 Mounting the top	23
	3.3 Care	24
	3.3.1 Care tips	24
	3.3.2 Cleaning the drain	24
	3.4 Disposal	25

1 About these instructions for use

Trade mark rights exist for this document; for further information, go to viega.com/legal.

1.1 Target groups

The information in this instruction manual is directed at the following groups of people:

- Heating and plumbing experts and trained personnel
- Tilers
- Consumers

Individuals without the abovementioned training or qualification are not permitted to mount, install and, if required, maintain this product. This restriction does not extend to possible operating instructions.

The installation of Viega products must take place in accordance with the general rules of engineering and the Viega instructions for use.

1.2 Labelling of notes

Warning and advisory texts are set aside from the remainder of the text and are labelled with the relevant pictographs.



DANGER!

This symbol warns of possible life-threatening injury.



WARNING!

This symbol warns of possible serious injury.



CAUTION!

This symbol warns of possible injury.



NOTICE!

This symbol warns of possible damage to property.



This symbol gives additional information and hints.

1.3 About this translated version

This instruction for use contains important information about the choice of product or system, assembly and commissioning as well as intended use and, if required, maintenance measures. The information about the products, their properties and application technology are based on the current standards in Europe (e.g. EN) and/or in Germany (e.g. DIN/DVGW).

Some passages in the text may refer to technical codes in Europe/Germany. These should serve as recommendations in the absence of corresponding national regulations. The relevant national laws, standards, regulations, directives and other technical provisions take priority over the German/European directives specified in this manual: The information herein is not binding for other countries and regions; as said above, they should be understood as a recommendation.

2 Product information

2.1 Standards and regulations

The following standards and regulations apply to Germany / Europe and are provided as a support feature.

Regulations from section: Sealing



Scope / Notice	Regulations applicable in Germany
Stress class of the underground, as well as suitable bonded sealing	ZDB-Merkblatt 8/2012
Stress class of the underground, as well as suitable bonded sealing	Leitfaden zur Abdichtung im Verbund (AIV)
Approved bonded sealings with proof of practicability in keeping with building law for stress classes A and AO	ETAG 022 T1
Approved bonded sealings with proof of practicability in keeping with building law for stress classes A, B and C	DIBt-Bauregelliste A, Teil 2 des DIBt und Prüfgrundsätze für Abdichtungen im Verbund (PG AIV-F)
Permitted bonded sealings	EN 14891
Sealing of inside rooms	DIN18534

Regulations from section: Media

Scope / Notice	Regulations applicable in Germany
Typical domestic wastewater	DIN 1986-3

2.2 Certification

Data acc. to DIN EN 1253, Table 7

Manufacturer	Viega GmbH & Co.KG
Manufacturer identification mark	
Certificate of conformity	
Address	Viega GmbH & Co.KG Viega Platz 1 57439 Attendorn Germany
Relevant standard	DIN EN 1253-1
Load class	K3
DN	50
Product class with respect to temperature behaviour	A
Specific run-off behaviour	0.9

2.3 Intended use

2.3.1 Areas of application

The drain is dimensioned for small to medium volumes of water, which occur in e.g. residential buildings.

Technical information, see [Chapter 2.4.2 'Technical data'](#) on page 8.

The drain with a horizontal drain socket is suitable for both mounting in a floor opening as well as for mounting on the floor.

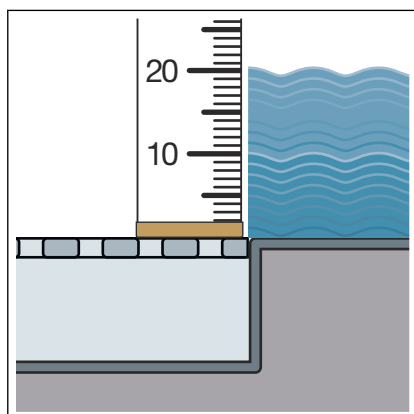
2.3.2 Media

The drain is intended for draining wastewater commonly encountered in households in constant operation, see ↗ 'Regulations from section: Media' on page 5.

- The short-term temperature of the wastewater may reach up to 95° C. The temperature must be considerably lower in constant operation.
- The pH value must be higher than four but lower than ten.

It is not permitted to introduce wastewater, which could damage the product material.

2.3.3 Drainage capacity



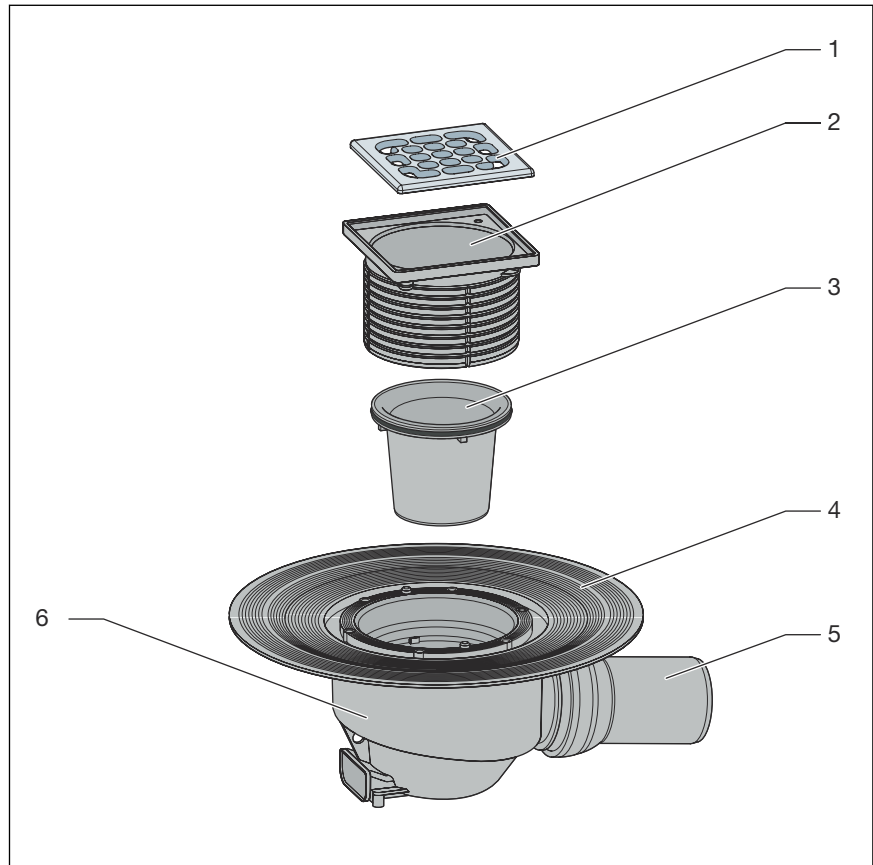
Drainage capacity at an accumulation height of 10 mm above the grate:
0.6 l/s

Drainage capacity at an accumulation height of 20 mm above the grate:
0.9 l/s

The values are dependent on the total height of the drain unit.

2.4 Product description

2.4.1 Overview



- 1 Grate
- 2 top, can be cut to length
- 3 Removable odour trap
- 4 flange for the application of the conventional sealing
- 5 Base unit

2.4.2 Technical data

Nominal width [DN] (drain socket)	50
Drainage capacity	↳ Chapter 2.3.3 'Drainage capacity' on page 7
Dimensions and installation height	↳ Chapter 3.1.2 'Installation dimensions' on page 18
Water seal level	50 mm
Load class	K = 300 kg

2.5 Information for use

2.5.1 Installation variations

Installing in a bare concrete floor

The mounting of the drain in a bare concrete floor is as follows:

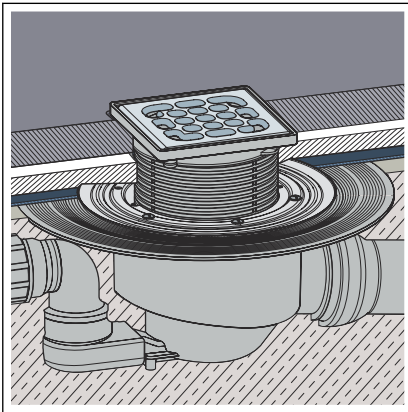


Fig. 1: General installation example – Floor recess

- The drain is placed in a floor recess and then cast-in.

Mounting on a floor

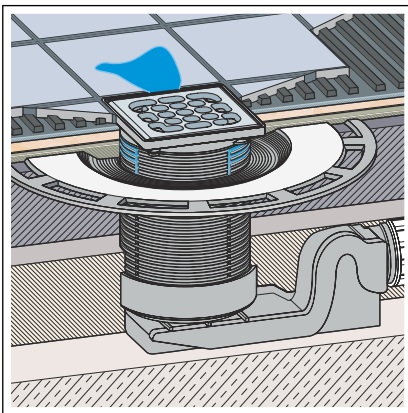


Fig. 2: General mounting example – Mounting on the floor

During the mounting on the floor, the drain is integrated into the floor construction. At the same time, the drain can e.g. be integrated into the levelling screed or heat insulation. If necessary, a vertical drainpipe can be led through a drill hole in the floor at the same time.



NOTICE!

The creation of a floor recess must be agreed with the following people:

- a structural engineer
- the on-site fire protection inspector or the specialist engineer for fire protection

If necessary, proof of compliance with building code or an expert's report must exist.

2.5.2 Sealing

The drain can be sealed both conventionally as well as with bonded sealing.

Depending on the type of sealing, you will require the relevant equipment set ↪ *Chapter 2.6 'Required accessories' on page 15.*

Conventional sealing

The flange of the drain is intended for conventional sealing. To be able to seal the drain conventionally, you require a suitable sealing collar and a clamping ring with which the cuff is secured ↪ *Chapter 2.6 'Required accessories' on page 15.*

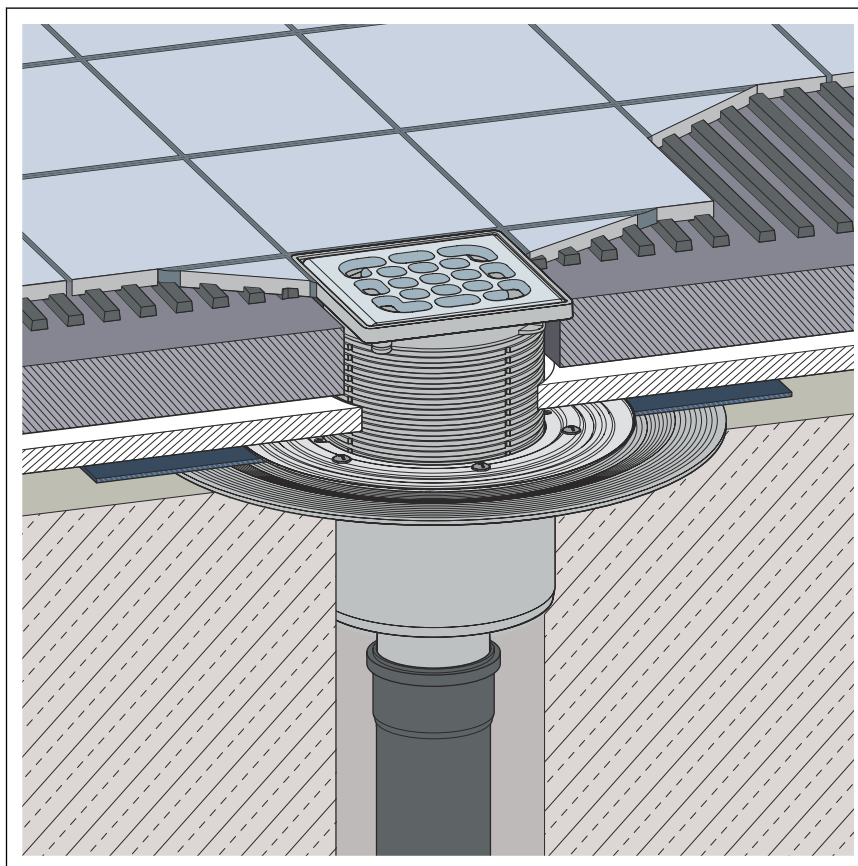


Fig. 3: Construction diagram of a conventional sealing



NOTICE! **Not suitable for floor-level showers**

Conventional sealing is not recommended with floor-level showers, because dampness can enter the screed and damp proof layer.

Use bonded sealing for floor-level showers.

Principle

Traditionally, sealing is made using bitumen or EPDM sealing collars. The sealing collars are laid directly onto the raw concrete or heat insulation. This process has proved itself to be particularly effective for sealing balconies, patios, floor installation panels and cellar floors. In addition, sealing collars are often used as an additional second sealing layer below the bonded seal.

The following components are required for the installation of a drain with conventional sealing:

- Drain
- Clamping ring with sealing collar for EPDM and bitumen sealing lanes

Information for processing

The sealing collar is coated with EPDM on the one side and with bitumen on the other side

Place the sealing collar on the drain and fasten it with the flange. It depends on the sealing collar used which material layer of the sealing collar is placed facing up. You can find more information in the mounting instructions of the sealing flange.

Bonded sealing

To protect against moisture penetration, apply sealing foils, which are to be processed in liquid state, directly below the tiles on screed and walls. The determination of the stress class and the underground as well as the selection of the suitable bonded sealing must be carried out in compliance with the valid standards and regulations, see: ↗ *'Regulations from section: Sealing'* on page 5.

Bonded sealing can be carried out with the help of a suitable stacking element. You have the possibility to double seal, using conventional and bonded sealing or only using bonded sealing.

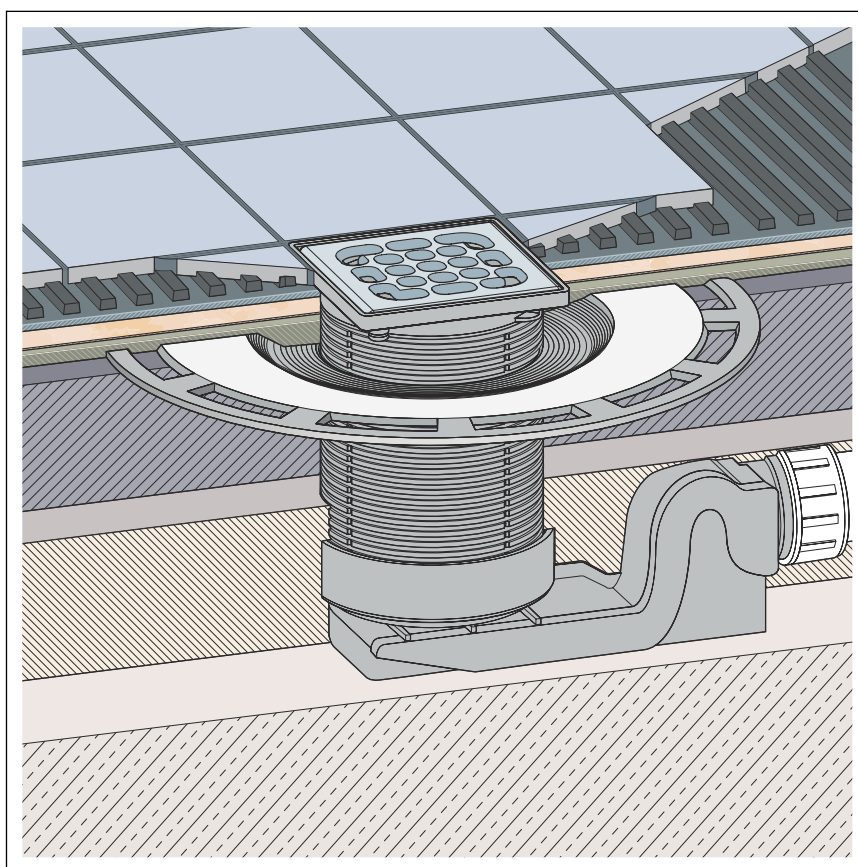


Fig. 4: Diagram of a bonded seal

Important note

Careful planning is required for sealing. In addition, depending on the individual dampness wear class and the type of foundation, a suitable thin bed bonded sealing with a building regulations certificate of suitability must be chosen.

Furthermore, the following factors should be taken into account:

- The drain or shower channel must be equipped with a special flange, which has an adhesive surface and a width of at least 50 mm.
- For bridging the material change from drain to screed, either a suitable sealing collar or sealing tape designed for overlapping with the thin bed bonded sealing over a width of at least 50 mm must be used.
- The screed must be laid at a minimum incline of 1–2%.
- The installation must be carried out in acc. with the mounting instructions and the manufacturer's information.

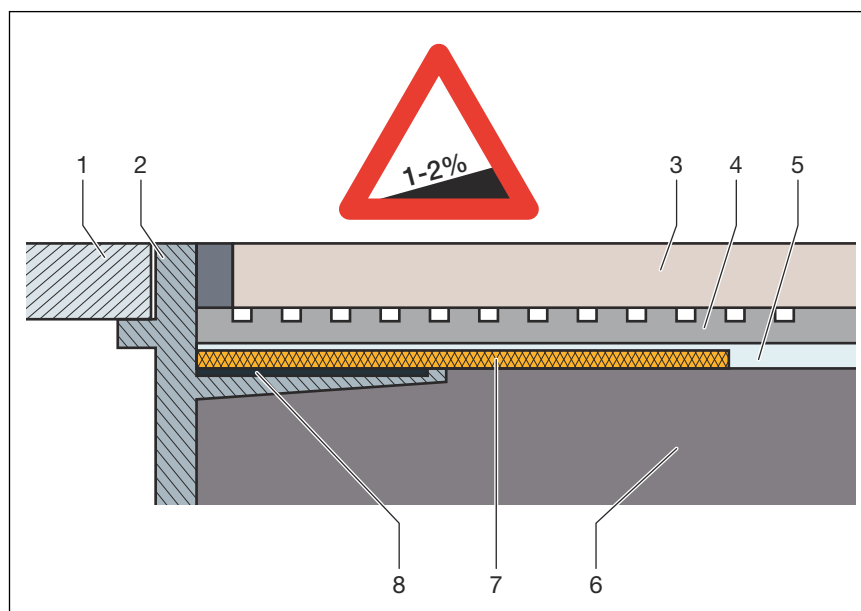


Fig. 5: Construction diagram of the bonded seal - min. screed incline 1–2 %

- 1 Grate
- 2 Top piece with adhesive flange
- 3 Tile
- 4 Tile cement
- 5 Bonded sealing
- 6 Screed
- 7 Sealing collar
- 8 Adhesive

Permitted bonded seals

In connection with suitable drains, only approved bonded sealings with proof of practicability in keeping with building law may be used. See [↗ 'Regulations from section: Sealing' on page 5.](#)

Information regarding the procedure can be found in the instructions for use of the corresponding product.

2.5.3 Fire protection

Advantix shower channels and drains can both be fitted to be fire proof. The R120 pipe lead-in can be used for this purpose in the floor construction. In this way, a fire resistance time of up to 120 minutes can be achieved.

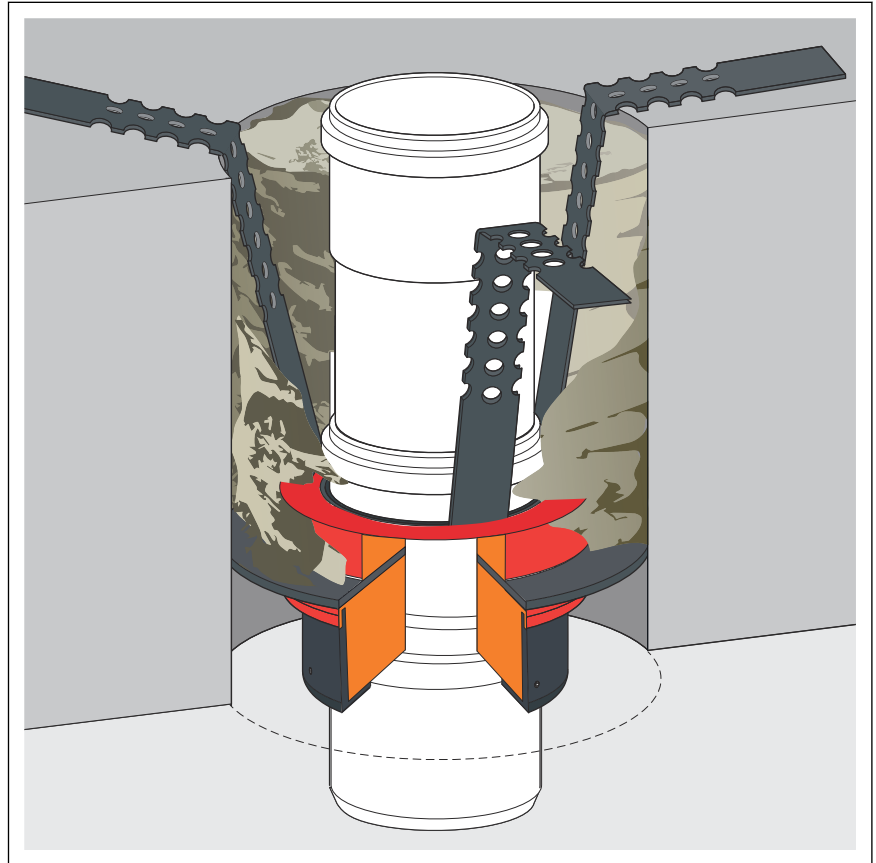
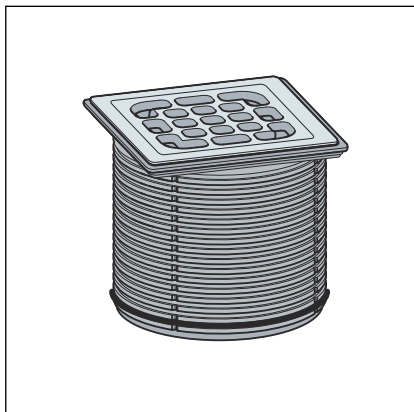


Fig. 6: Example: fire protection pipe lead-in

For mounting instructions for the R120 pipe lead-in see model 4923.5, art. no. 491 673.

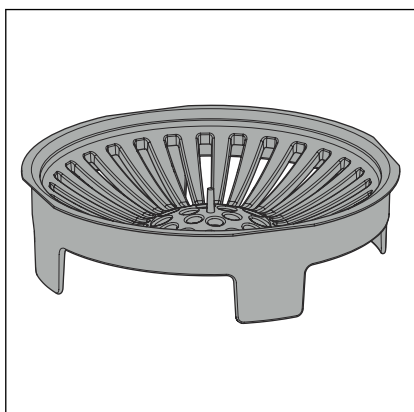
2.6 Required accessories

Top



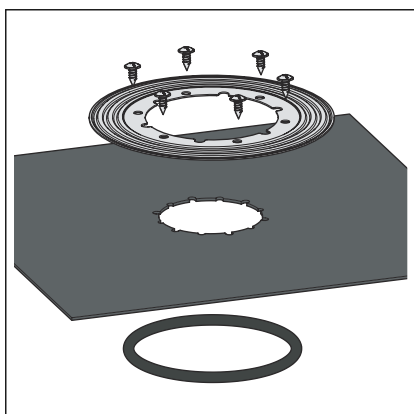
Advantix tops are available in a number of sizes and variations. You can also only buy an Advantix top frame and then purchase a suitable designer grate separately (see catalogue).

Sieve insert



The drain can be fitted with a sieve insert (model 4958) to collect dirt.

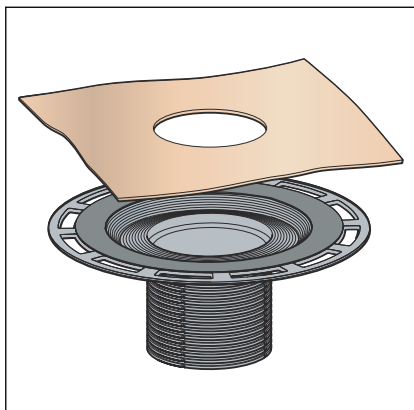
Accessories for conventional sealing



If a conventional sealing is to be made, a suitable sealing collar and a clamping ring will be required.

You will find a corresponding set in the catalogue (model 4948.31).

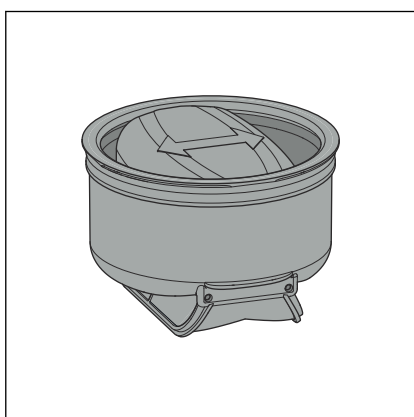
Accessories for bonded sealing



If a bonded sealing is to be applied, a suitable stacking element with sealing collar is required.

You will find a corresponding set in the catalogue (model 4925).

Odour barrier



Advantix drains can be equipped with an additional odour barrier, which also closes the drain odour-tight, if the water seal in the odour trap has evaporated. In this way, odour nuisance is avoided even with drains that are only seldom used. Odour barriers can be found in the catalogue.

3 Handling

3.1 Assembly information

3.1.1 Important note

Before assembly:

- Check if the drainage capacity of the drain is sufficient for the arising water volume ↪ *Chapter 2.3.3 'Drainage capacity' on page 7.*
- Check if the installation height of the drain corresponds with the planned floor construction.
- Ensure that the required connection line is installed with the necessary incline to the planned installation location.
- If necessary, supply the required accessories ↪ *Chapter 2.6 'Required accessories' on page 15.*

During assembly:

- Observe installation dimensions.
- Decide whether or not a backflow seal is required in the insertion part of the top.

After assembly:

- The drain flange must be fully lined with mortar.

3.1.2 Installation dimensions

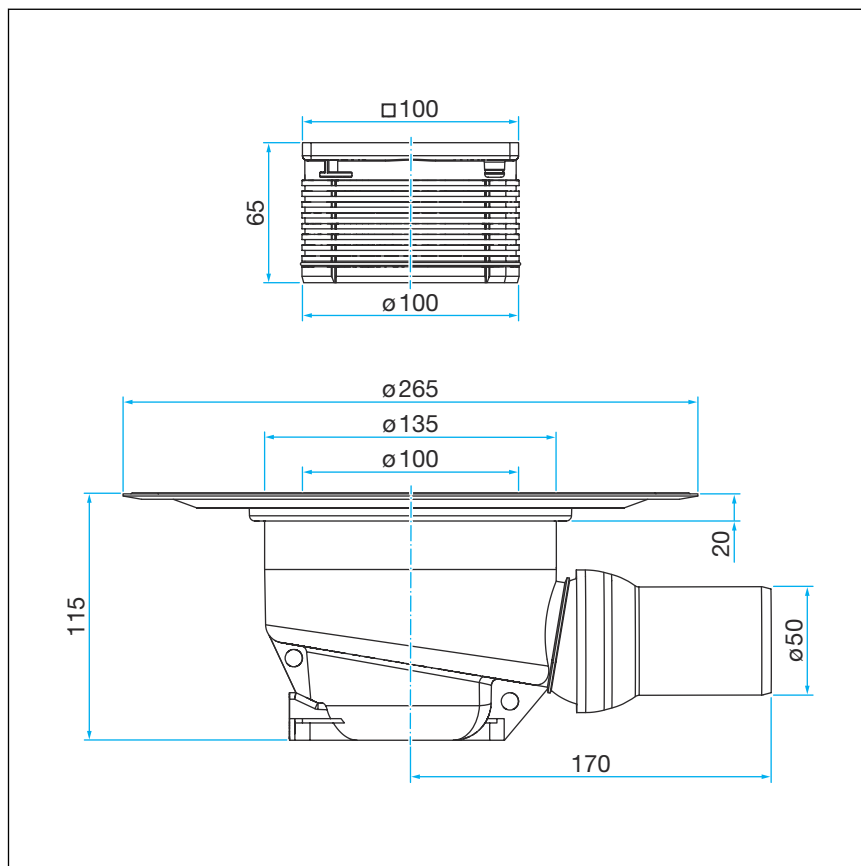


Fig. 7: Dimensional drawing model 4921.76

3.1.3 Tools and materials

Required material

- if necessary, sealing collar, clamping ring, fitting screws
- Top with grate, if not included in scope of delivery ↪ *Chapter 2.4.1 'Overview' on page 8*
- if necessary, stacking element for bonded sealing model 4925
- Material for securing the drain

3.2 Assembly

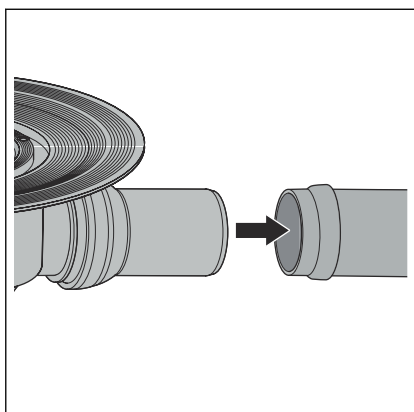
3.2.1 Connecting the drain

Connecting to the wastewater system

The connection to the wastewater system must be completed before the drain can be installed in the floor construction. Proceed as follows:

Requirements:

- A pipe to the planned drainage position is already in place for the connection to the wastewater system.
- The drainpipe has an internal sealing lip.

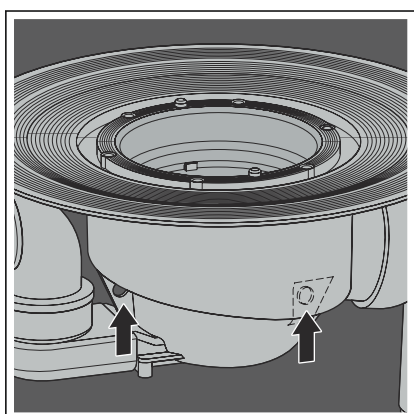
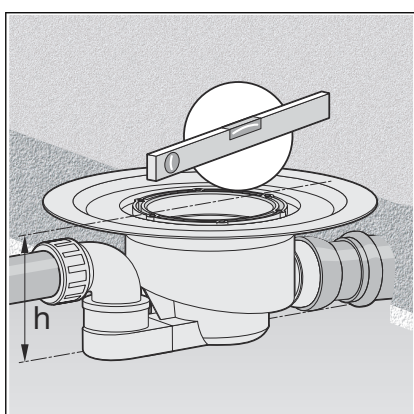


- Align the drain socket on the ball joint.
- Insert the drain socket into the drainpipe as far as it will go.

3.2.2 Preparing for subsequent work

Requirements:

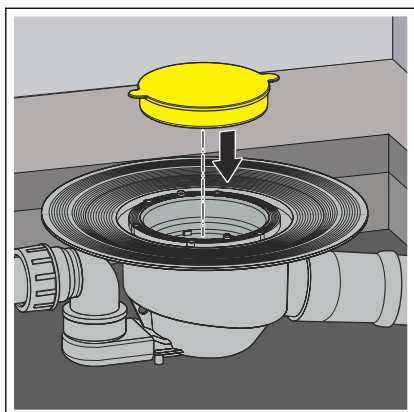
- The drain is connected.
- Position the drain at the desired height at the place of use. The upper edge of the drain flange must be flush with the upper edge of the sealing layer. If necessary, raise or lower the drain in the existing floor using suitable material.
- Align the drain horizontally using a spirit level.



- Secure the drain in such a way that it cannot shift when the subsequent works are applied.

The fixing eyelets, which are to be found on the underside of the drain, can be used for fixing.

Most importantly, it must be ensured that the drain does not float when the concrete or screed is poured in.



► Insert the yellow protective plug.



NOTICE!
Product damage due to improper installation

If hollow spaces occur during the lining of the drain, leaks may occur when pressure is applied.

Inform the subsequent workers that the drain must be fully lined and that there must be no hollow spaces.

3.2.3 Sealing the drain



NOTICE!
Product damage due to improper installation

If hollow spaces occur during the lining of the drain, leaks may occur when pressure is applied.

Check the completion of the subsequent work.



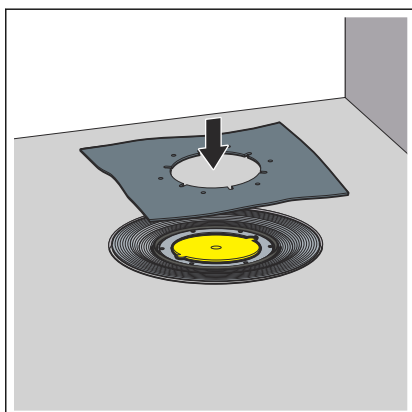
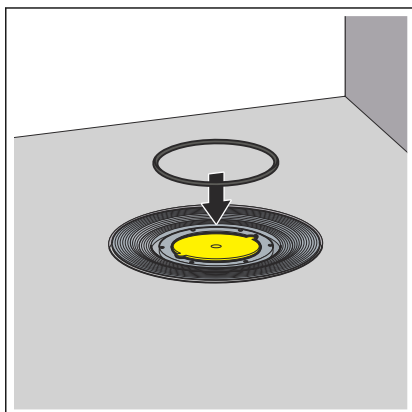
The screed and floor tiles must be laid at an incline of 1–2 % in the direction of the drain.

Conventional sealing

Requirements:

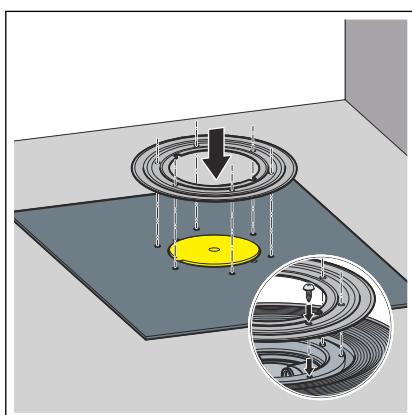
- A suitable sealing collar and a clamping ring are available.
- The flange is free of heavy soil.
- The complete surface of the flange is lined with material and undamaged.
- If required, clean the flange of coarse soil (e.g. from screed).
- Insert the seal ring.

The seal ring must lie in the groove between the flange and the screw holes.

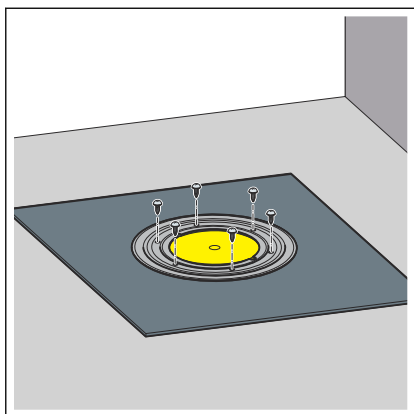


INFO! The Viega sealing collar has two differently coated sides. One side is coated with bitumen and the other side with EPDM. If the additional sealing takes place with bitumen sealing lanes, the sealing collar must be used with the bitumen side facing upwards. If EPDM sealing lanes are used, the EPDM side must face upwards.

- Position the sealing collar on the drain.
The screw holes must be visible through the recesses.



- Position the sealing flange on the sealing collar in such a way that the screw holes are visible.



- Screw the sealing flange tightly to the drain.

The fixing screws of the clamping ring may only be screwed into the screw holes of the drain.

- ☐ The drain is sealed and the remaining sealing can be laid.

Bonded sealing

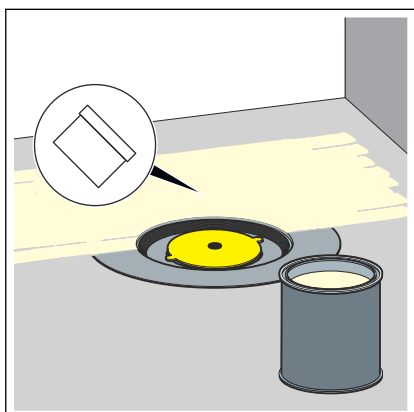
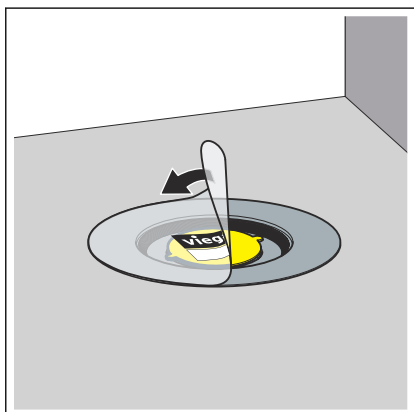


If a bonded sealing is to be applied, a stacking element with sealing collar is required.

You will find corresponding sets in the catalogue (e.g. model 4925 or model 4994).

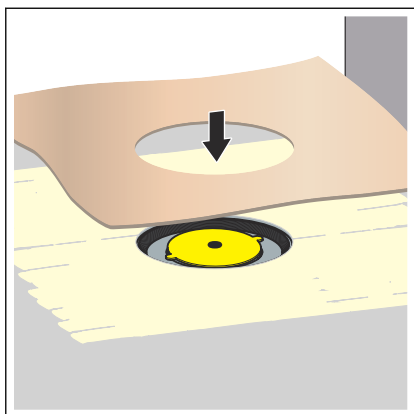
Requirements:

- The flange is free of heavy soil.
- The complete surface of the flange is lined with material and undamaged.
- Remove the protective foil.

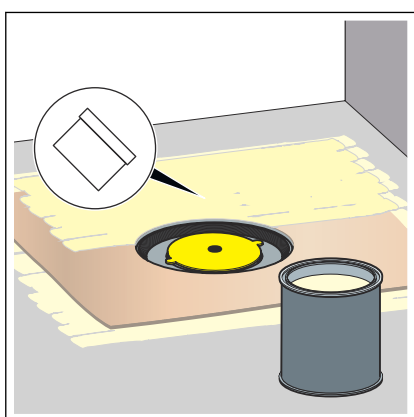


- Apply the bonded sealing on the dry screed and spread to the inner edge of the flange fleece.

NOTICE! Observe the bonded sealing manufacturer's instructions for use.

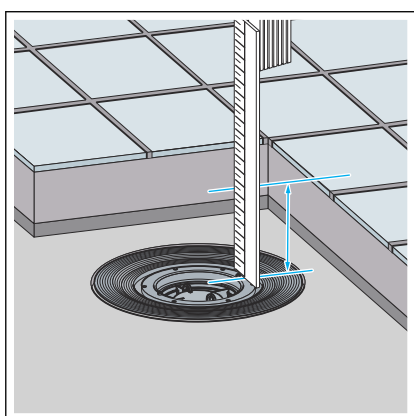


- Lay the sealing collar into the bonded sealing.



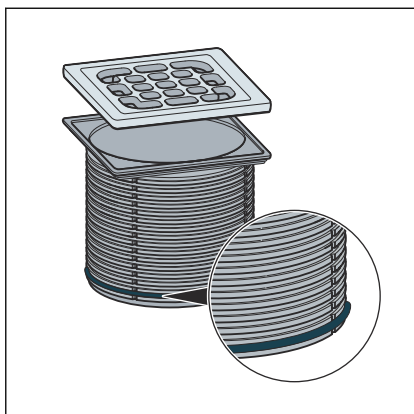
- Apply the second layer of bonded sealing onto the sealing collar and, if necessary, onto the floor.

3.2.4 Mounting the top



The top with the grate must be mounted to finish off the mounting of the drain. Proceed as follows:

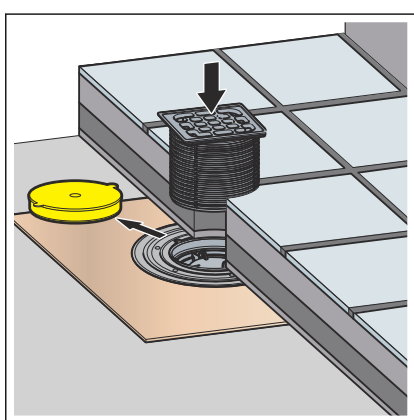
- Calculate the height of the floor construction from the edge in the inside of the drain up to the upper edge of the tiles.
- Starting with the upper edge, transfer the measured height onto the top.
- Cut the top to the marked height.



- If necessary, insert the backflow seal in the lowest notch of the top.

INFO! The backflow seal must be employed when no dampness is supposed to flow into the drain from outside of the top but water may seep in from below. Normally, no backflow seal is mounted so that water that occurs around the frame (e.g. due to a leaky silicone joint) can flow away. A backflow seal is mounted in the following cases:

- In the case of the risk of a build-up of water that can soak through the screed.
- During the mounting of a stacking element for the bonded sealing (see instructions for use of the stacking element).



- Remove the yellow protective plug.
- Place the top into the drain and align according to the tiles.
- Work the top into the screed or the floor covering.

3.3 Care

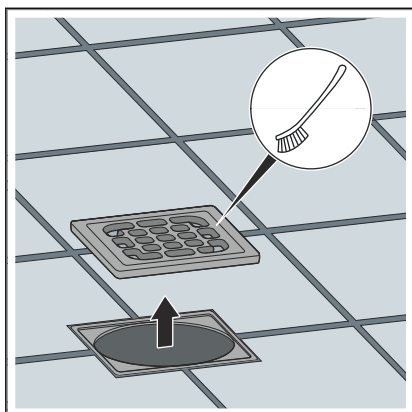
3.3.1 Care tips

Normal soap or a mild cleaning agent can be used for regular maintenance and prevention of lime scale on the grate and frame. Use no scouring agent or abrasive objects.

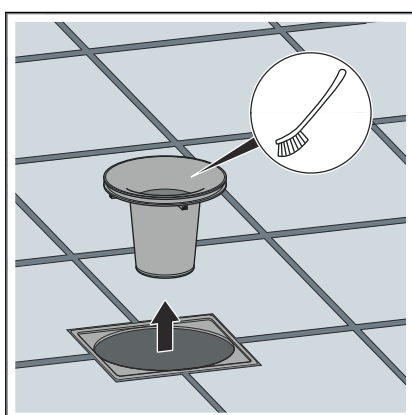
Strong stains, even around the drain unit and the odour trap, can be removed using typical household cleaner. Rinse the detergent very thoroughly with clear water after the prescribed dwell time. There should be no residue on the components.

3.3.2 Cleaning the drain

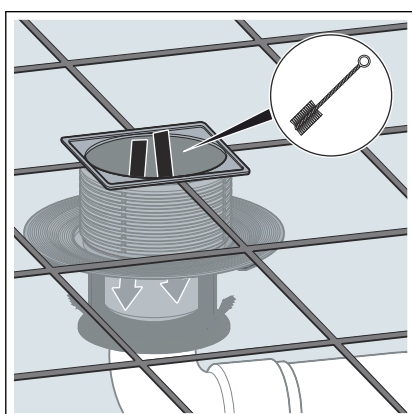
Use a mild cleaning agent and a washing-up brush for cleaning.



- Remove and clean the grate.



- Remove and clean the immersion pipe.



- Clean the drain.
- Replace the immersion pipe.
- Replace the grate.

3.4 Disposal

Separate the product and packaging materials (e. g. paper, metal, plastic or non-ferrous metals) and dispose of in accordance with valid national legal requirements.



Viega GmbH & Co. KG
service-technik@viega.de
viega.com

INT • 2023-08 • VPN230218

