

Instructions for Use

Advantix Vario end closing piece



for extension

Model
4965.16

Year built (from)
06/2013

viega

Table of contents

1	About these instructions for use	3
	1.1 Target groups	3
	1.2 About this translated version	3
	1.3 Other applicable documents	3
2	Product information	4
	2.1 Standards and regulations	4
	2.2 Certification	5
	2.3 Product description	6
	2.3.1 Overview of the components	7
	2.4 Required accessories	8
3	Handling	9
	3.1 Assembly information	9
	3.1.1 Tools and materials	9
	3.1.2 Installation dimensions	9
	3.2 Assembly	10
	3.3 Disposal	12

1 About these instructions for use

Trade mark rights exist for this document; for further information, go to viega.com/legal.

1.1 Target groups

The information in this instruction manual is directed at the following groups of people:

- Heating and sanitary professionals and trained personnel
- Tilers

Individuals without the abovementioned training or qualification are not permitted to mount, install and, if required, maintain this product. This restriction does not extend to possible operating instructions.

The installation of Viega products must take place in accordance with the general rules of engineering and the Viega instructions for use.

1.2 About this translated version

This instruction for use contains important information about the choice of product or system, assembly and commissioning as well as intended use and, if required, maintenance measures. The information about the products, their properties and application technology are based on the current standards in Europe (e.g. EN) and/or in Germany (e.g. DIN/DVGW).

Some passages in the text may refer to technical codes in Europe/Germany. These should serve as recommendations in the absence of corresponding national regulations. The relevant national laws, standards, regulations, directives and other technical provisions take priority over the German/European directives specified in this manual: The information herein is not binding for other countries and regions; as said above, they should be understood as a recommendation.

1.3 Other applicable documents

This instruction for use describes the mounting of an extension piece for an Advantix Vario shower channel in rough steps.



The instructions for use of the Advantix Vario shower channel must also be strictly observed for the mounting of the extension piece.

2 Product information

2.1 Standards and regulations

The following standards and regulations apply to Germany / Europe and are provided as a support feature.

Regulations from section: Sealing



Scope / Notice	Regulations applicable in Germany
Stress class of the underground, as well as suitable bonded sealing	ZDB-Merkblatt 8/2012
Stress class of the underground, as well as suitable bonded sealing	Leitfaden zur Abdichtung im Verbund (AIV)
Approved bonded sealings with proof of practicability in keeping with building law for stress classes A and AO	ETAG 022 T1
Approved bonded sealings with proof of practicability in keeping with building law for stress classes A, B and C	DIBt-Bauregelliste A, Teil 2 des DIBt und Prüfgrundsätze für Abdichtungen im Verbund (PG AIV-F)
Permitted bonded sealings	EN 14891
Sealing of inside rooms	DIN18534

Regulations from section: Media

Scope / Notice	Regulations applicable in Germany
Typical domestic wastewater	DIN 1986-3

2.2 Certification

Data acc. to DIN EN 1253, Table 7

Manufacturer	Viega Holding GmbH & Co.KG
Manufacturer identification mark	
Certificate of conformity	
Address	<p>Viega Technology GmbH & Co.KG Viega Platz 1 57439 Attendorn Germany</p> <p>Viega Technology GmbH & Co.KG Viega Platz 1 57439 Attendorn Germany</p>
Relevant standard	DIN EN 1253-1
Product class with respect to temperature behaviour	A

2.3 Product description

end closing piece

Instead of the closing cap, a long element, the so-called "end closing piece" can be mounted onto the base unit. The base unit can therefore be extended accordingly.

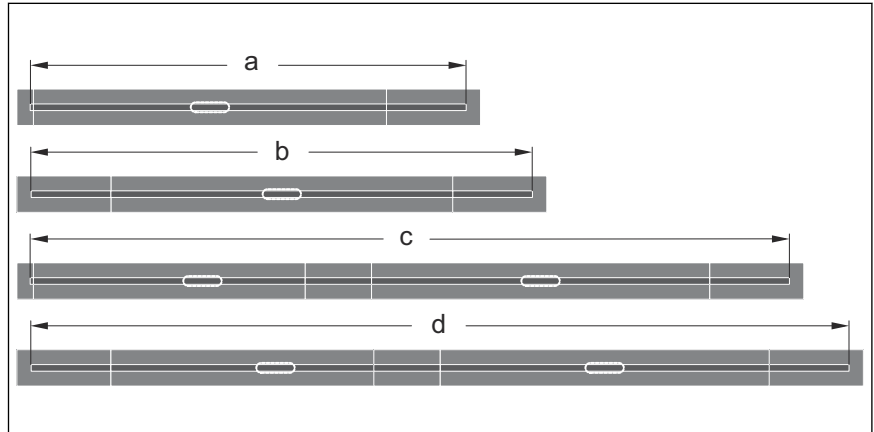


Fig. 1: Installation possibilities with end closing piece

- a max. 1451 mm
- b max. 1680 mm
- c max. 2651 mm
- d max. 2880 mm

2.3.1 Overview of the components

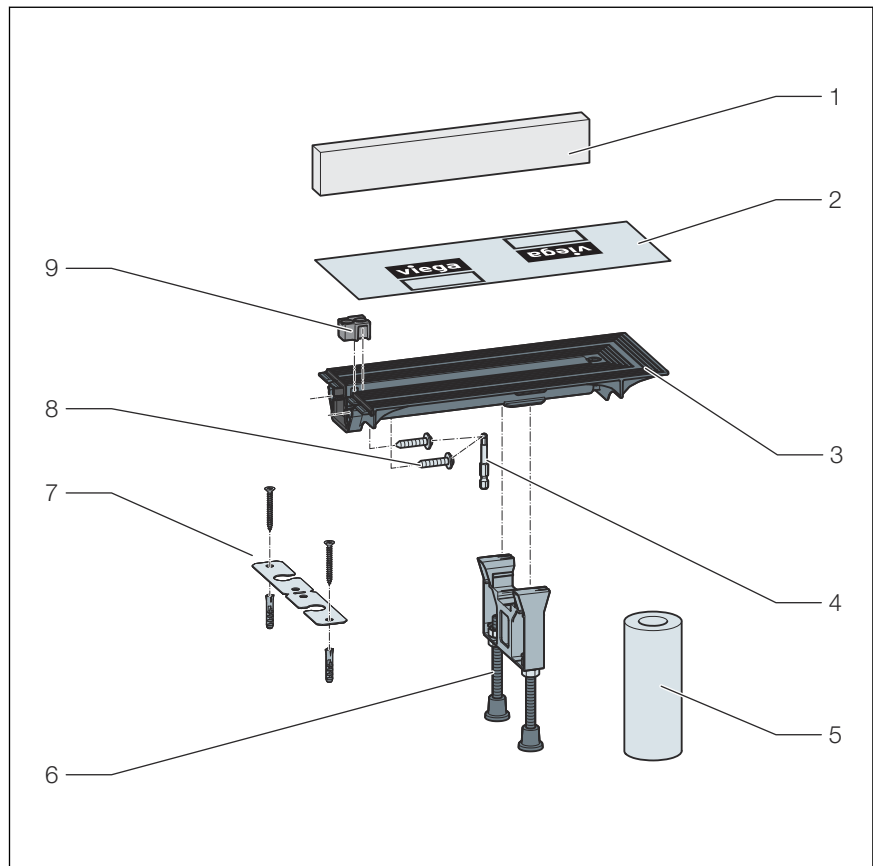
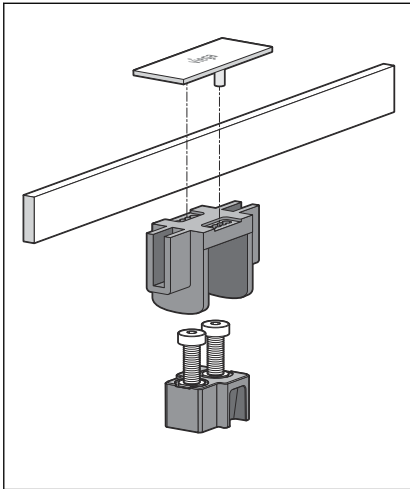


Fig. 2: end closing piece, scope of delivery

- 1 protective insert made of hard foam
- 2 protective foil
- 3 End closing piece
- 4 Allen key size 4
- 5 sealing tape
- 6 foot, height-adjustable
- 7 fixing material
- 8 screws
- 9 spacer

2.4 Required accessories



Per installed component, *one* corresponding standing grate set is required. The complete range and the required information can be found in the catalogue.

Fig. 3: Standing grate set

3 Handling

3.1 Assembly information

3.1.1 Tools and materials

You require

- screwdriver
- Allen key size 4

Mounting adhesive

Mounting adhesive can be used for a maximum of 18 months.

The filling date is found on the top edge of the cartridge. The first two numbers represent the month, the following number the year.

Example

085...

Filling date = August (08) 2015 (5)

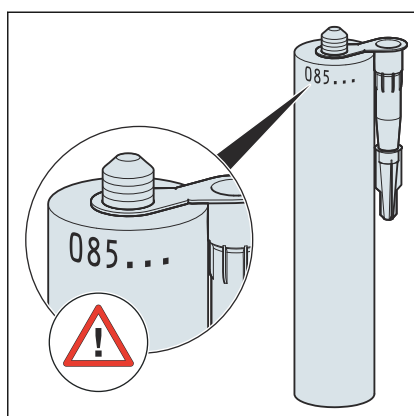


Fig. 4: Filling date of the mounting adhesive

3.1.2 Installation dimensions

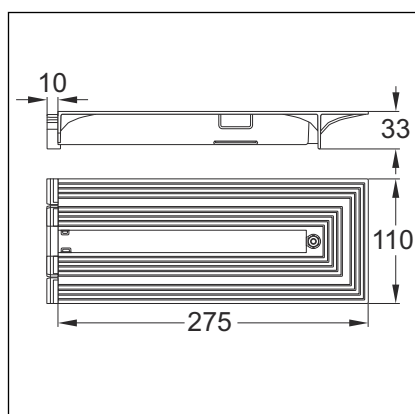


Fig. 5: Dimensions of end closing piece

3.2 Assembly

Mounting the end closing piece

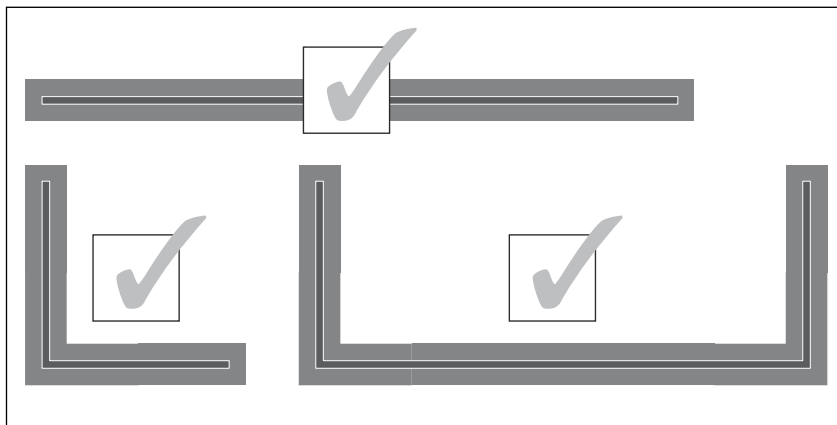
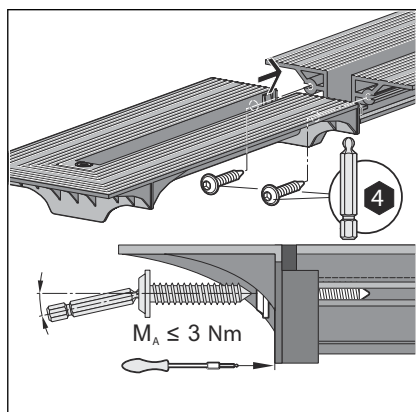


Fig. 6: Installation variation



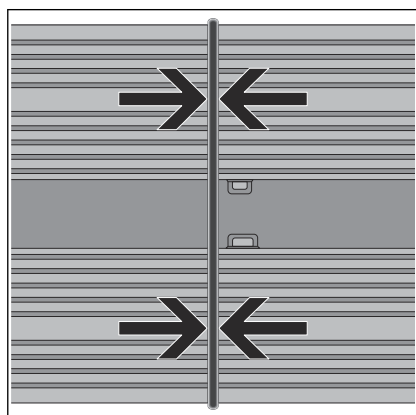
Do not shorten end closing piece!



- Screw the end closing piece onto the profile.

When using a cordless screwdriver, make the last few turns by hand.

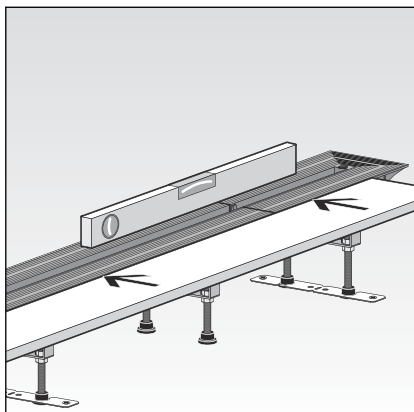
Only tighten screws hand-tight!



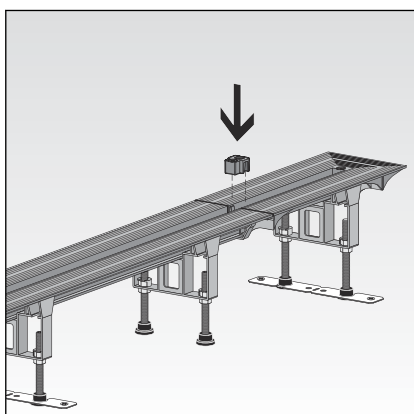
- ◇ The end closing piece is properly mounted when the seal is pushed together **gently**.

Mount adjustable feet, see instructions for use of the Advantix Vario shower channel.

Aligning the end closing piece

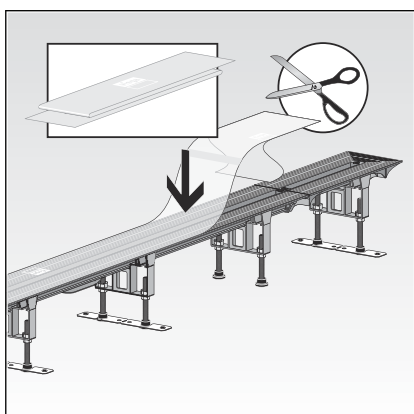


- Align the shower channel and connection piece horizontally to one another.

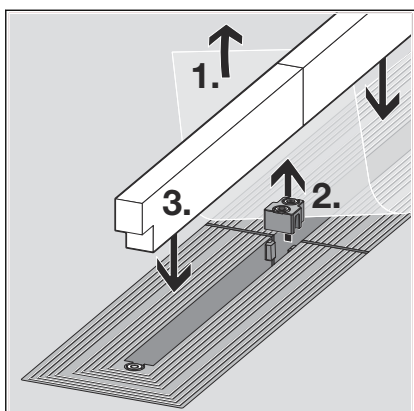


- Insert spacer.
The spacers prevent the shower channel from being deformed when the screed hardens later.

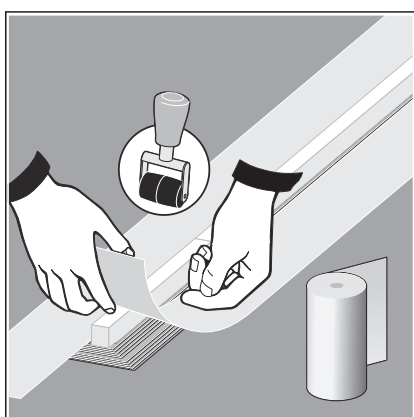
Preparing for further work



- If necessary, shorten the protective foil and stick onto the flange.
- Line shower channel with screed (also see instructions for use of the shower channel).
- Leave screed to harden.



- Remove protective foil (1).
- Remove spacer (2).
- If necessary, clean the flange, e. g. with isopropanol.
- Cut protective insert to size and insert (3).
- Apply mounting and spread mounting adhesive (also see instructions for use of the shower channel).
- Apply bonded sealing (also see instructions for use of the shower channel).
- Cut the sealing tape generously.



- Position the sealing tape on the flange so that the flange and screed are uniformly covered.
Overlap the corners in the process.
- Rework the sticking points with a roller.

Further processing see instructions for use of the shower channel.

3.3 Disposal

Separate the product and packaging materials (e. g. paper, metal, plastic or non-ferrous metals) and dispose of in accordance with valid national legal requirements.



Viega GmbH & Co. KG
service-technik@viega.de
viega.com

INT • 2022-08 • VPN190532

