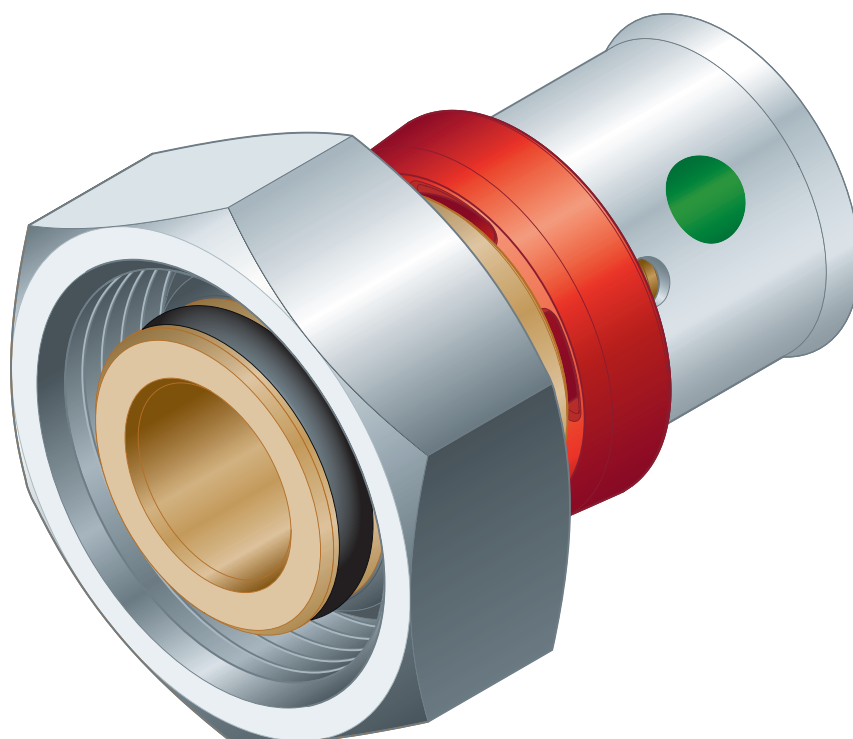


Instructions for Use

Connection screw fitting with SC- Contur



for Fonterra radiant heating and cooling, Fonterra pipe, manifold
DN25

Model
1236

Year built (from)
01/2007

viega

Table of contents

1	About these instructions for use	3
	1.1 Target groups	3
	1.2 Labelling of notes	3
	1.3 About this translated version	4
2	Product information	5
	2.1 Intended use	5
	2.2 Technical data	5
3	Handling	7
	3.1 Transport and storage	7
	3.2 Mounting instructions	7
	3.3 Assembly	8
	3.4 Disposal	9

1 About these instructions for use

Trade mark rights exist for this document; for further information, go to viega.com/legal.

1.1 Target groups

The information in this instruction manual is directed at the following groups of people:

- Heating and plumbing experts and trained personnel

Individuals without the abovementioned training or qualification are not permitted to mount, install and, if required, maintain this product. This restriction does not extend to possible operating instructions.

The installation of Viega products must take place in accordance with the general rules of engineering and the Viega instructions for use.

1.2 Labelling of notes

Warning and advisory texts are set aside from the remainder of the text and are labelled with the relevant pictographs.



DANGER!

This symbol warns of possible life-threatening injury.



WARNING!

This symbol warns of possible serious injury.



CAUTION!

This symbol warns of possible injury.



NOTICE!

This symbol warns of possible damage to property.



This symbol gives additional information and hints.

1.3 About this translated version

This instruction for use contains important information about the choice of product or system, assembly and commissioning as well as intended use and, if required, maintenance measures. The information about the products, their properties and application technology are based on the current standards in Europe (e.g. EN) and/or in Germany (e.g. DIN/DVGW).

Some passages in the text may refer to technical codes in Europe/Germany. These should serve as recommendations in the absence of corresponding national regulations. The relevant national laws, standards, regulations, directives and other technical provisions take priority over the German/European directives specified in this manual: The information herein is not binding for other countries and regions; as said above, they should be understood as a recommendation.

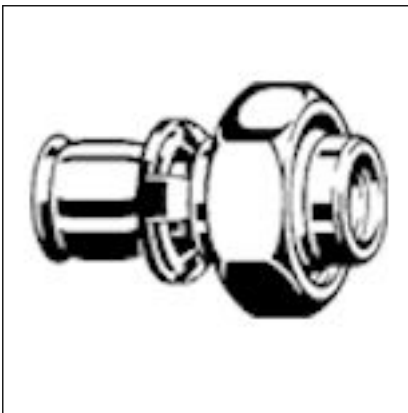
2 Product information

2.1 Intended use

The press connectors are suitable for use in the following heating and cooling systems:

- Fonterra Base
- Fonterra Base Flat
- Fonterra Reno
- Fonterra Side 12
- Fonterra Side 12 Clip
- Fonterra Tacker
- Fonterra Top 12
- Fonterra Industry

2.2 Technical data



Use	for Fonterra pipes to Fonterra manifold DN25
Material	gunmetal
connection	Press connection with SC-Contur, euro cone

Pipe external diameter [d]	Article
12	614584
15	614591
17	614614
20	614638

The following press connectors from the Fonterra system are also available

Name	Use	Material	Dimension	Model number
Adapter with SC-Contur	Cross over from Fonterra pipes onto external thread R	gunmetal	12 / R $\frac{1}{2}$; 15 / R $\frac{1}{2}$; 20 / R $\frac{3}{4}$; 25 / R $\frac{3}{4}$	1213.5
Plug-in piece with SC-Contur	Cross over from Fonterra PB 12/15 onto Sanpress / Sanpress Inox / Profipress	gunmetal	12 / 15 15 / 15	1213
Coupling with SC-Contur	for press connections of Fonterra pipes PB / PE-Xc / PE-RT / MV	gunmetal	12 15 16 17 20 25	1223
Elbow 90° with SC-Contur	for press connections of Fonterra pipes PB	gunmetal	15	1214.3

3 Handling

3.1 Transport and storage

Observe the following with transport and storage:

- Avoid heavy blows and vibrations.
- Store components in a clean and dry place.
- Do not remove the components from the packaging until immediately before use.

3.2 Mounting instructions



NOTICE!

Store Fonterra installation panels made of gypsum fibre lying flat, in dry and frost-proof conditions.

Observe the following assembly instructions when using press connectors:

- Only use original components from the Fonterra system.
- Use the press machine recommended in the catalogue (e. g. Viega Pressgun 5, Viega Pressgun Picco).
- Use the Viega system press jaws listed in the catalogue to press the press connectors with the Fonterra pipes:

Model	Type	suitable pipes [dimension]	Note
2799.7	Press jaw	12	only pipes made of polybutene (PB)
2299.7	Press jaw	15, 17, 20, 25	–
2484.7	Press jaw	12, 15, 16, 17, 20, 25	–
2782	Hand press pliers	12	only pipes made of polybutene (PB)

3.3 Assembly



NOTICE!
Shortening the pipes

The use of saws or angle-grinders is not permitted.



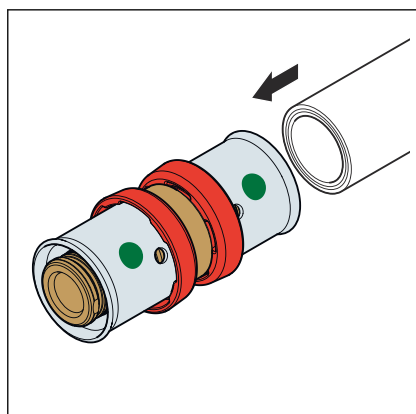
NOTICE!

The use of the press jaw insert model 2499.1 (12 mm) is not permitted!

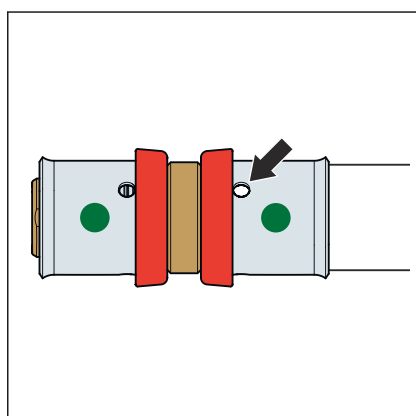


The illustrations show examples of how a press connector is pressed with a Fonterra pipe. The presentation of the press connector and that of the pipe may therefore differ from your product.

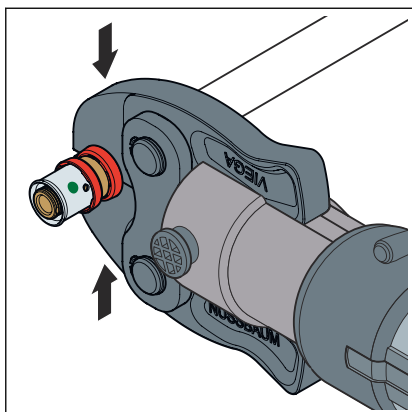
Creating a press connection



- Use a pipe shear (model 5341) to cut the Fonterra pipe to length at right angles.
- Push the pipe into the press connector until the pipe end is visible in the inspection window.



- Check the position of the seal ring and the insertion depth of the pipe in the press collar before pressing.



- Open the press jaw and place at a right-angle onto the connector.
- Start the pressing process and await the complete process.
 - ◻ The press connection is completed.
- Check system for leak tightness before commissioning:

3.4 Disposal

Separate the product and packaging materials (e. g. paper, metal, plastic or non-ferrous metals) and dispose of in accordance with valid national legal requirements.



Viega GmbH & Co. KG
service-technik@viega.de
viega.com

INT • 2022-08 • VPN180509

