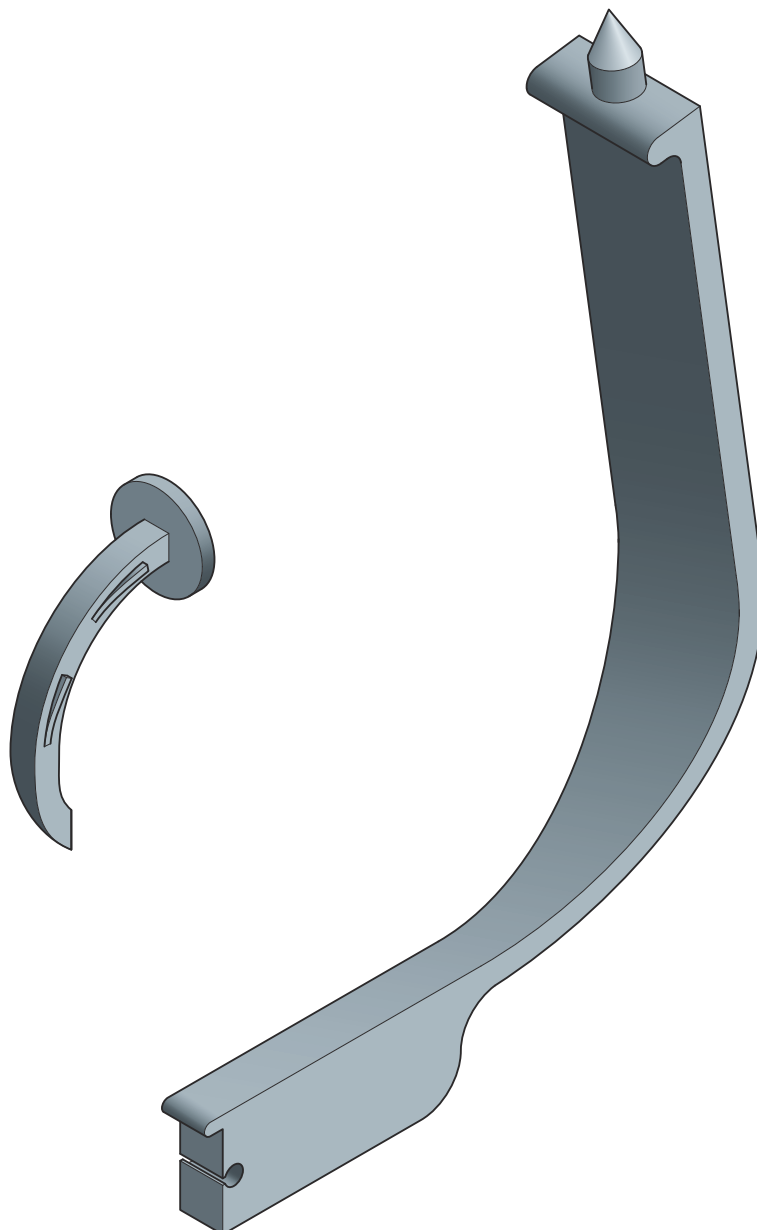


Instructions for Use

Fixing hook



for Fonterra radiant heating and cooling, connector of the snap plate (without insulation) with on-site installed insulation

Model
1482

Year built (from)
12/2016

Table of contents

1	About these instructions for use	3
	1.1 Target groups	3
	1.2 Labelling of notes	3
	1.3 About this translated version	4
2	Product information	5
	2.1 Intended use	5
	2.2 Product description	5
	2.2.1 Overview	5
3	Handling	7
	3.1 Assembly	7
	3.2 Disposal	8

1 About these instructions for use

Trade mark rights exist for this document, further information can be found at viega.com/legal.

1.1 Target groups

The information in this instruction manual is directed at the following groups of people:

- Heating and sanitary professionals and trained personnel

It is not permitted for individuals without the abovementioned training or qualification to mount, install and, if required, maintain this product. This restriction does not extend to possible operating instructions.

1.2 Labelling of notes

Warning and advisory texts are set aside from the remainder of the text and are labelled with the relevant pictographs.



DANGER!

This symbol warns against possible life-threatening injury.



WARNING!

This symbol warns against possible serious injury.



CAUTION!

This symbol warns against possible injury.



NOTICE!

This symbol warns against possible damage to property.



Notes give you additional helpful tips.

1.3 About this translated version

This instruction for use contains important information about the choice of product or system, assembly and commissioning as well as intended use and, if required, maintenance measures. The information about the products, their properties and application technology are based on the current standards in Europe (e. g. EN) and/or in Germany (e. g. DIN/DVGW).

Some passages in the text may refer to technical codes in Europe/Germany. These should serve as recommendations in the absence of corresponding national regulations. The relevant national laws, standards, regulations, directives and other technical provisions take priority over the German/European directives specified in this manual: The information herein is not binding for other countries and regions; as said above, they should be understood as a recommendation.

2 Product information

2.1 Intended use

The Fonterra fixing hook provide a permanent connection between the on-site insulation (minimum thickness 25 mm) and the smart snap plate placed on it (models 1226 and 1229). Use the dedicated placing tool comprised in the delivery to install the fixing hooks.

2.2 Product description

2.2.1 Overview

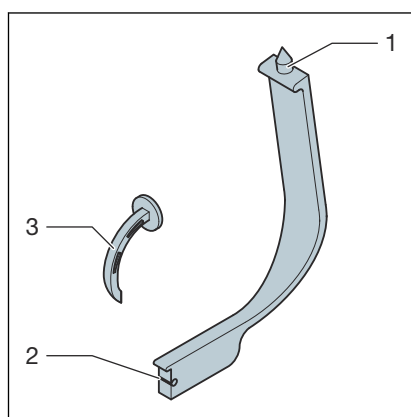


Fig. 1: Fixing hook

- 1 - Pricker
- 2 - Fixing hook holder
- 3 - Fixing hook

Compatible Fonterra Base snap plates (not comprised in the scope of delivery)

The fixing hook is suitable for the following Fonterra Base snap plates:
Fonterra Base snap plate 12/15 smart (model 1226).

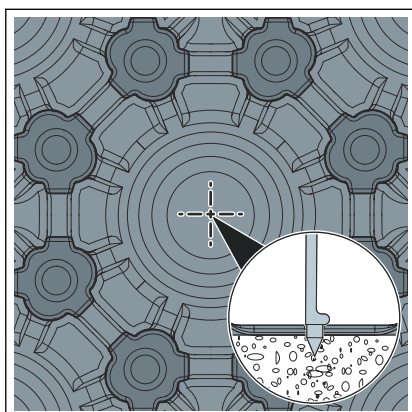
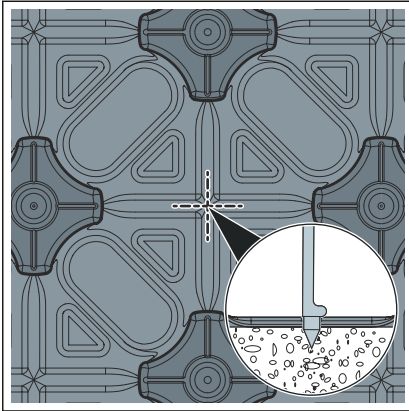


Fig. 2: Fonterra Base snap plate 12/15



Fonterra Base snap plate 15/17 smart (model 1229).

Fig. 3: Fonterra Base snap plate 15/17

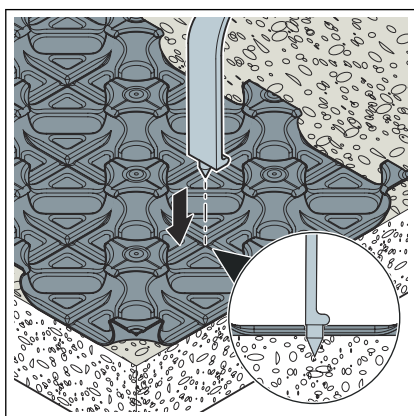
3 Handling

3.1 Assembly

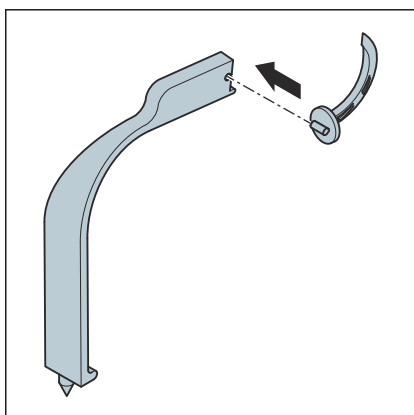


Required

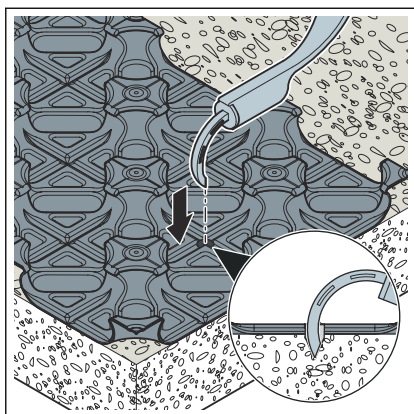
Viega recommends to use approx. three fixing hooks per m². However, this may vary depending on the room geometry and insulation.



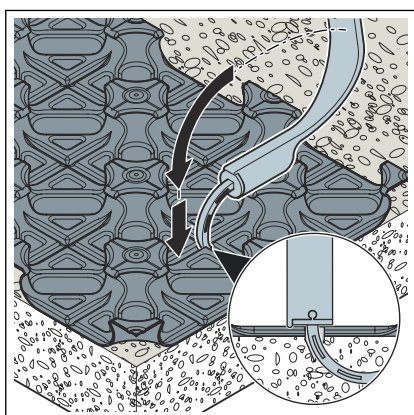
- Use the pricker of the placing tool to pre-punch a hole into the snap plate.



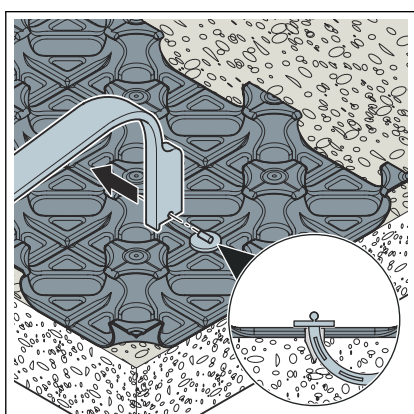
- Push the head of the fixing hook from the side into the groove of the fixing hook holder.



► Place the fixing hook at the hole.



► Rotate the handle of the tool through 90° to turn it forward.



► Push the placing tool sideways off the placed fixing hook.

3.2 Disposal

Separate the product and packaging materials (e. g. paper, metal, plastic or non-ferrous metals) and dispose of in accordance with valid national legal requirements.



Viega GmbH & Co. KG
service-technik@viega.de
viega.com

INT • 2022-08 • VPN170067

