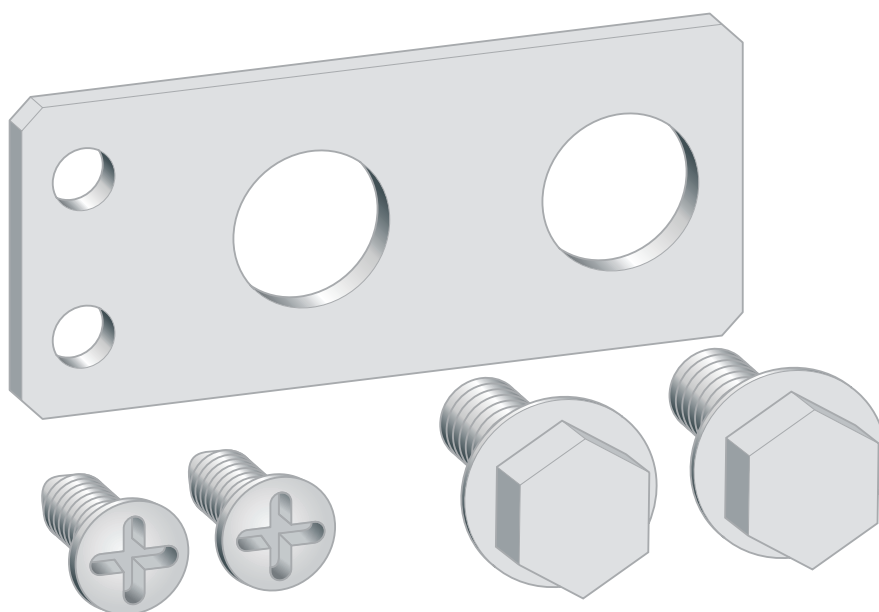


Instructions for Use

Connection set



for Prevista Dry fixing element model 8570.32 in connection with
Prevista Dry-WC element model 8522.31 and 8521.32

Model
8570.65

Year built (from)
07/2021

viega

Table of contents

1	About these instructions for use	3
	1.1 Target groups	3
	1.2 Labelling of notes	3
	1.3 About this translated version	4
2	Product information	5
	2.1 Intended use	5
	2.1.1 Areas of application	5
	2.2 Product description	5
	2.2.1 Overview	5
3	Handling	6
	3.1 Assembly	6
	3.1.1 Mounting the connection set	6
	3.2 Disposal	7

1 About these instructions for use

Trade mark rights exist for this document; for further information, go to viega.com/legal.

1.1 Target groups

The information in this instruction manual is directed at the following groups of people:

- Heating and plumbing experts and trained personnel

Individuals without the abovementioned training or qualification are not permitted to mount, install and, if required, maintain this product. This restriction does not extend to possible operating instructions.

The installation of Viega products must take place in accordance with the general rules of engineering and the Viega instructions for use.

1.2 Labelling of notes

Warning and advisory texts are set aside from the remainder of the text and are labelled with the relevant pictographs.



DANGER!

This symbol warns of possible life-threatening injury.



WARNING!

This symbol warns of possible serious injury.



CAUTION!

This symbol warns of possible injury.



NOTICE!

This symbol warns of possible damage to property.



This symbol gives additional information and hints.

1.3 About this translated version

This instruction for use contains important information about the choice of product or system, assembly and commissioning as well as intended use and, if required, maintenance measures. The information about the products, their properties and application technology are based on the current standards in Europe (e.g. EN) and/or in Germany (e.g. DIN/DVGW).

Some passages in the text may refer to technical codes in Europe/Germany. These should serve as recommendations in the absence of corresponding national regulations. The relevant national laws, standards, regulations, directives and other technical provisions take priority over the German/European directives specified in this manual: The information herein is not binding for other countries and regions; as said above, they should be understood as a recommendation.

2 Product information

2.1 Intended use

2.1.1 Areas of application

The connection set is used for mounting a Prevista Dry fastening element (model 8570.32) on the Prevista Dry WC elements model 8522.31 and 8521.32.

2.2 Product description

2.2.1 Overview

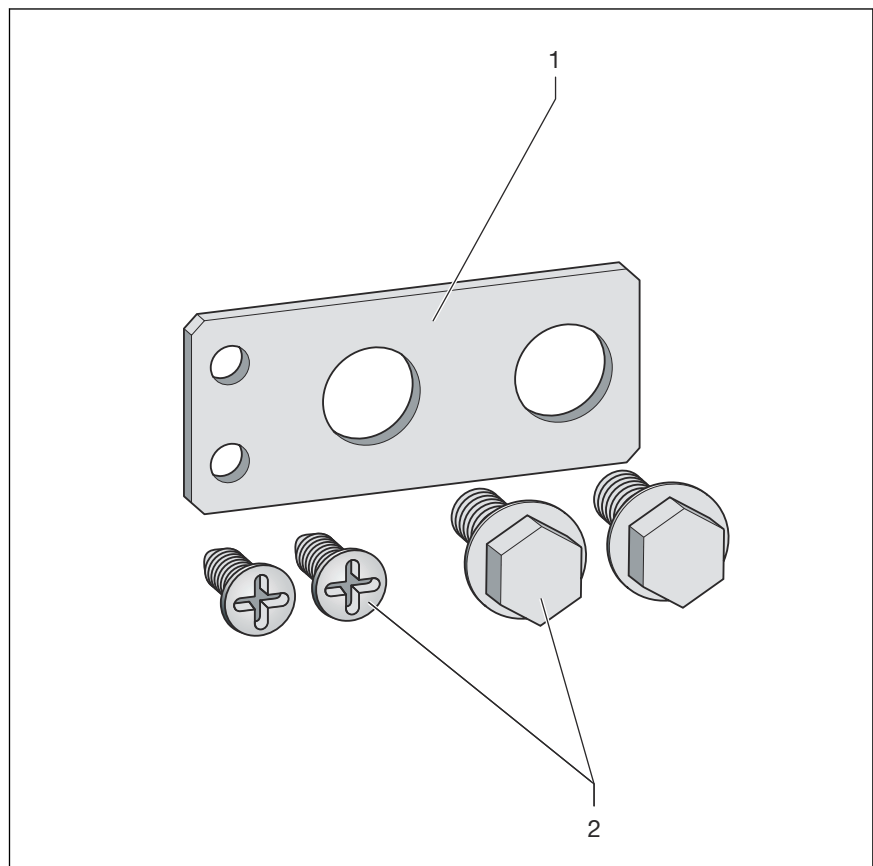


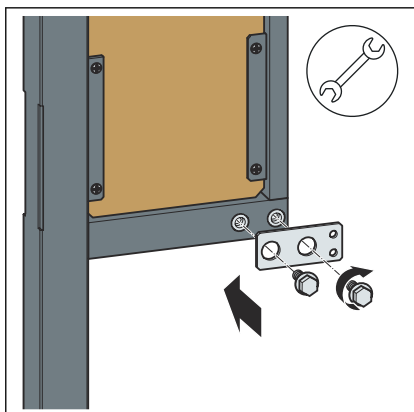
Fig. 1: Components

- 1 Fixing lug
- 2 Fixing material

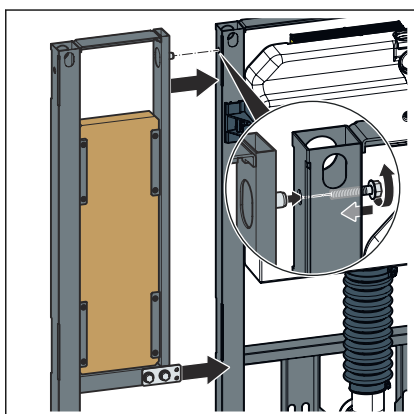
3 Handling

3.1 Assembly

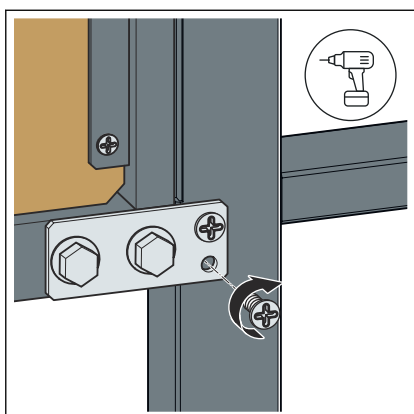
3.1.1 Mounting the connection set



► Attach the connection set to the fixing element (SW 13).



► Connect the fixing element to the Prevista Dry WC element.



► Screw the two elements together with the connection set.

3.2 Disposal

Separate the product and packaging materials (e. g. paper, metal, plastic or non-ferrous metals) and dispose of in accordance with valid national legal requirements.



Viega GmbH & Co. KG
service-technik@viega.de
viega.com

INT • 2022-08 • VPN220020

