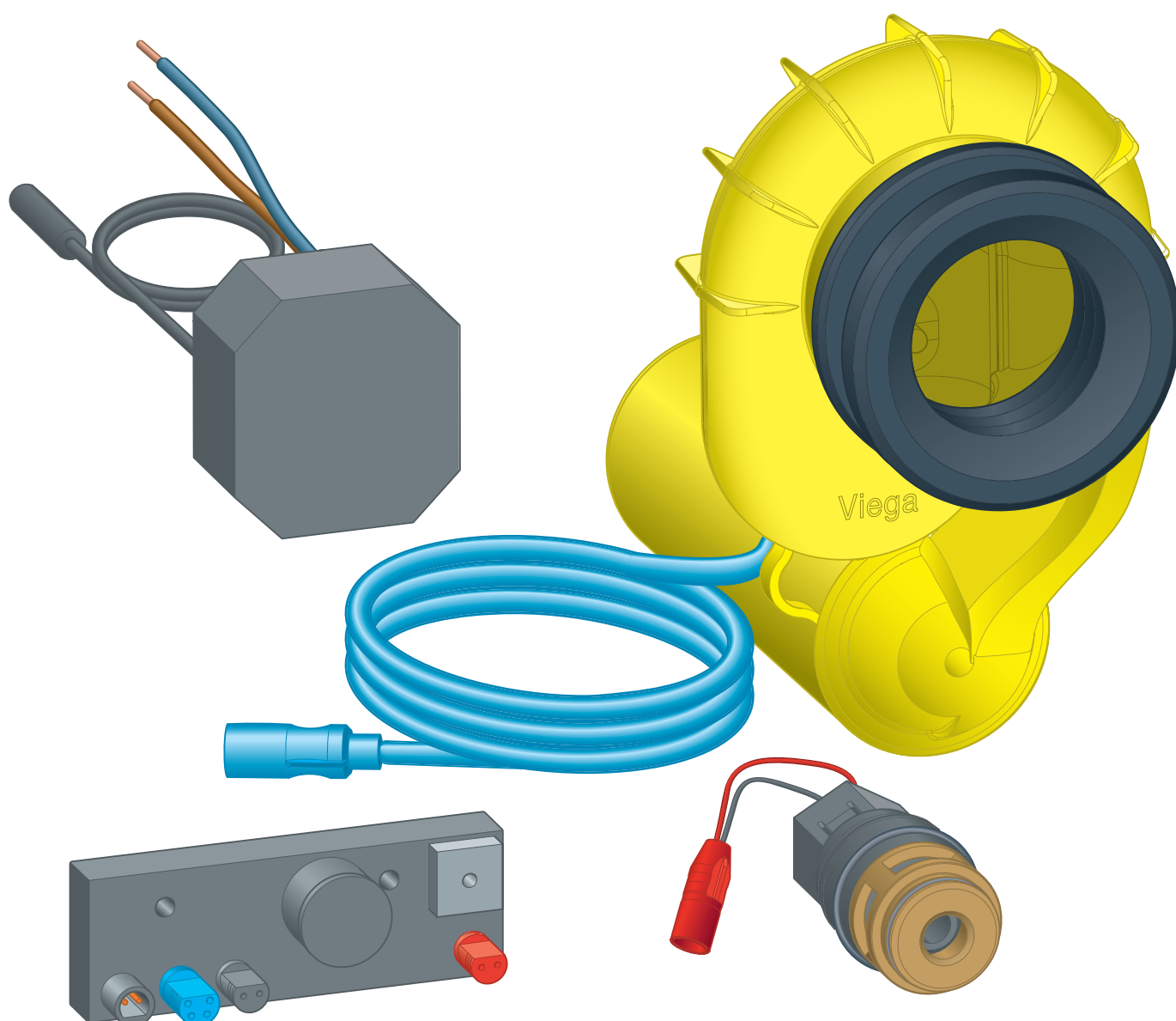


Instructions for Use

Equipment set flush actuation concealed



for urinal with concealed flushing system

Model
8560.33

Year built (from)
04/2019

viega

Table of contents

1	About these instructions for use	3
	1.1 Target groups	3
	1.2 Labelling of notes	3
	1.3 About this translated version	4
2	Product information	5
	2.1 Safety advice	5
	2.2 Intended use	5
	2.2.1 Areas of use	5
	2.2.2 General notes	5
	2.3 Product description	7
	2.3.1 Overview	7
	2.3.2 Connection diagram	8
	2.3.3 Technical data	8
3	Handling	9
	3.1 Assembly	9
	3.1.1 Mount flush actuation	9
	3.2 Commissioning	13
	3.2.1 Functionality test	13
	3.2.2 Activating the programs	13
	3.3 Errors, faults and remedy	15
	3.4 Disposal	15

1 About these instructions for use

Trade mark rights exist for this document; for further information, go to viega.com/legal.

1.1 Target groups

The information in this instruction manual is directed at the following groups of people:

- Heating and plumbing experts and trained personnel
- Qualified electricians

Individuals without the above-mentioned training or qualifications are not permitted to mount, install or, if appropriate, maintain this product. This restriction does not extend to possible operating instructions.

The installation of Viega products must take place in accordance with the generally accepted rules of engineering and the Viega instructions for use.

1.2 Labelling of notes

Warning and advisory texts are set aside from the remainder of the text and are labelled with the relevant pictographs.



DANGER!

This symbol warns of possible life-threatening injury.



WARNING!

This symbol warns of possible serious injury.



CAUTION!

This symbol warns of possible injury.



NOTICE!

This symbol warns of possible damage to property.



This symbol gives additional information and hints.

1.3 About this translated version

This instruction for use contains important information about the choice of product or system, assembly and commissioning as well as intended use and, if required, maintenance measures. The information about the products, their properties and application technology are based on the current standards in Europe (e.g. EN) and/or in Germany (e.g. DIN/DVGW).

Some passages in the text may refer to technical codes in Europe/Germany. These should serve as recommendations in the absence of corresponding national regulations. The relevant national laws, standards, regulations, directives and other technical provisions take priority over the German/European directives specified in this manual: The information herein is not binding for other countries and regions; as said above, they should be understood as a recommendation.

2 Product information

2.1 Safety advice



DANGER!
Danger due to electrical current

An electric shock can lead to burns and serious injury and even death.

- Work on the electrics may only be carried out by trained electricians.
- Switch off the mains voltage before carrying out work on electrical parts.
- Switch off the mains voltage before connecting the power pack.

2.2 Intended use

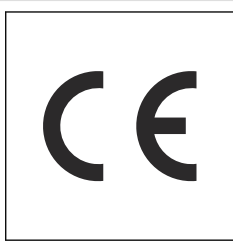
2.2.1 Areas of use


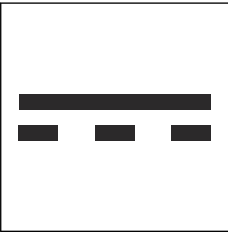
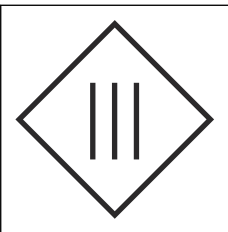
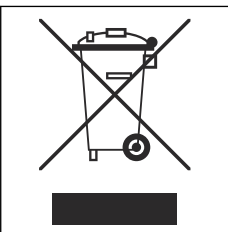
The equipment set is suitable for the Prevista Dry urinal element flush actuation concealed (model 8560.31).

2.2.2 General notes

Symbols

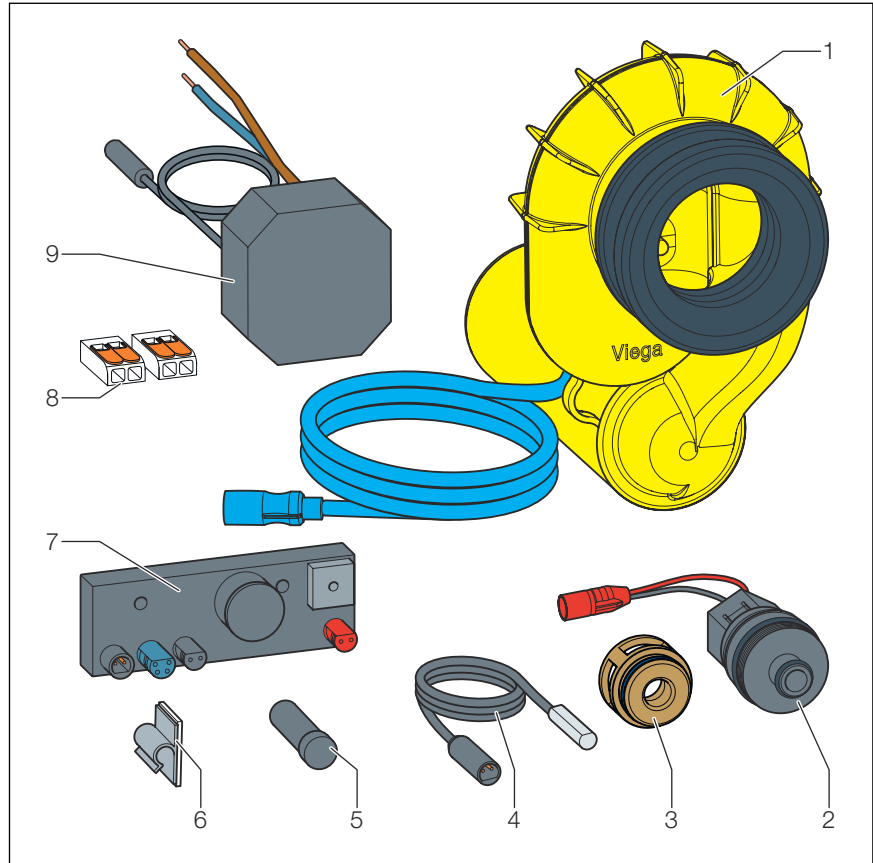
Observe the symbol listed on the label:

Symbol	Description
	CE marking, Product Safety in Europe

Symbol	Description
	EAC marking, registration of products in the territory of the Customs Union
	Direct current
	Protection class III
	The marked product must not be disposed of as household waste.

2.3 Product description

2.3.1 Overview



- 1 Suction moulded piece with horizontal outlet and sensor
- 2 Magnet valve
- 3 Valve adapter
- 4 Reed contact
- 5 Magnetic pin
- 6 Holder
- 7 Control
- 8 Terminal
- 9 Power pack

2.3.2 Connection diagram

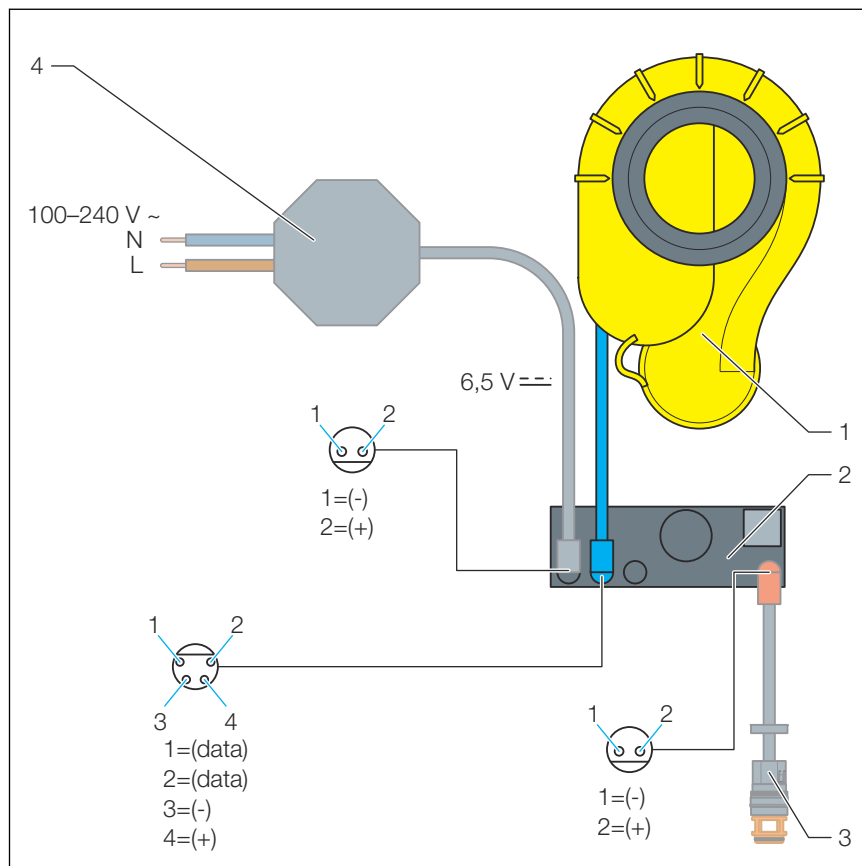


Fig. 1: Connection diagram, equipment set flush actuation concealed, power pack and control

- 1 Suction moulded piece
- 2 Control
- 3 Magnet valve
- 4 Power pack

2.3.3 Technical data

Flow pressure	0.05–0.5 MPa (0.5–5 bar)
Flow-through volume	max. 0.25 l/s for flow pressure 0.2–0.5 MPa (2-5 bar)
Flow regulator	Factory-fitted in water path (15 l/min)
Power supply	100 V–240 V AC (50/60 Hz)
Battery operation	6 V battery
Noise class	2
Hygiene flushing	automatic after 24 h

3 Handling

3.1 Assembly

3.1.1 Mount flush actuation



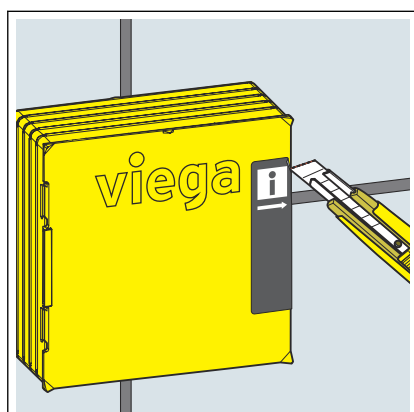
DANGER! **Danger due to electrical current**

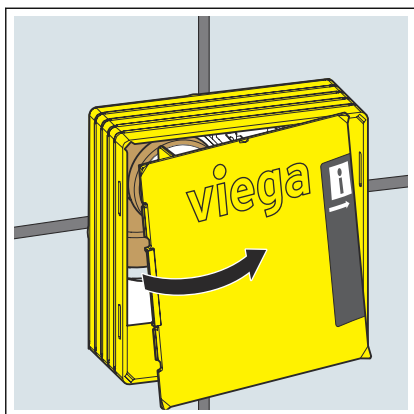
An electric shock can lead to burns and serious injury and even death.

- Only allow electrical work to be carried out by qualified electricians.
- Always de-energise the connection cable before work is commenced.

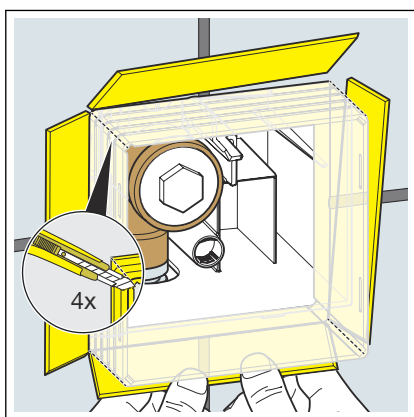
Requirements:

- The pre-wall element has been mounted.
- The tiling work is completed.
- A 230 V mains connection is available on site.
- The connection cable is de-energised.
- Cut into the sticky tape of the shaft cover.



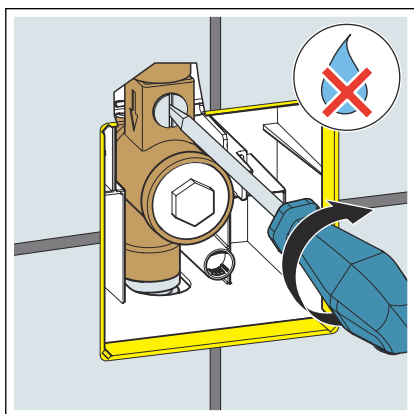


➤ Remove the shaft cover.

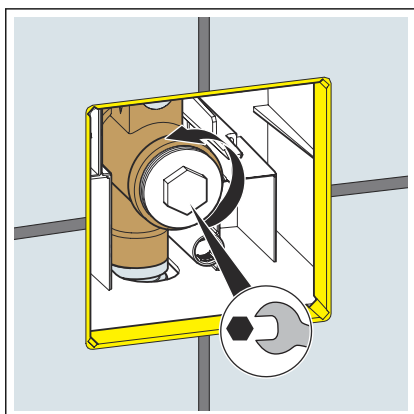


➤ Cut into the corners of the revision shaft.

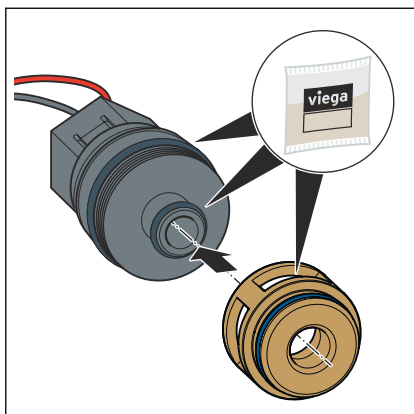
➤ Fold the sides of the revision shaft outwards up to the tile level and snap them off.



➤ Close the shut-off.

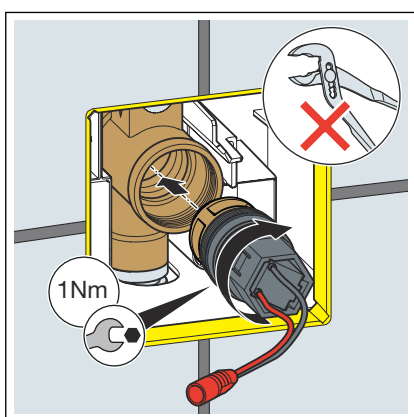


➤ Remove the seal.

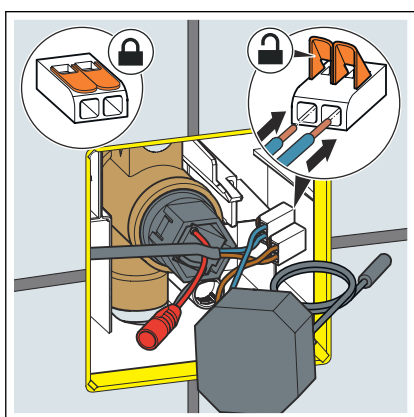


- Grease the sealing elements.
- Place the valve adapter on the magnet valve.

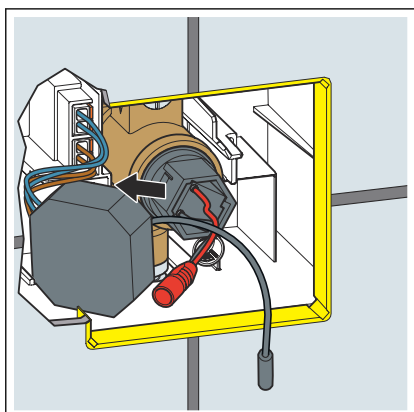
NOTICE! Ensure that the sealing element sits in the groove.



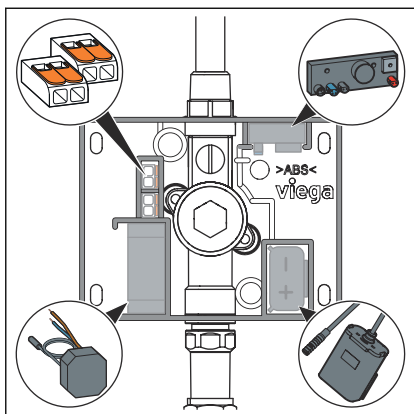
- Place the magnet valve on straight and carefully screw in as far as it will go (fine thread).
- Screw in the magnet valve.
max. torque: 1 Nm



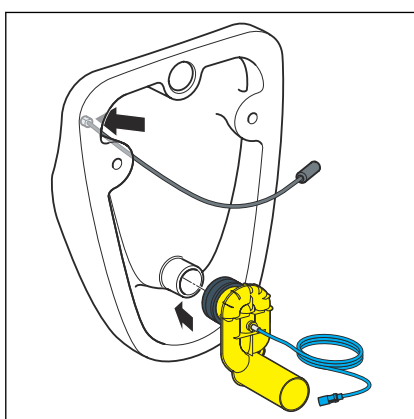
- Push the cables into the terminals.



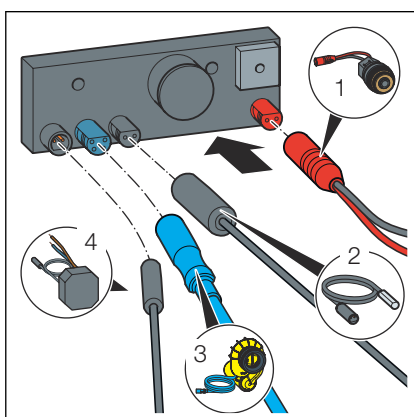
- Push the power pack into the revision opening.



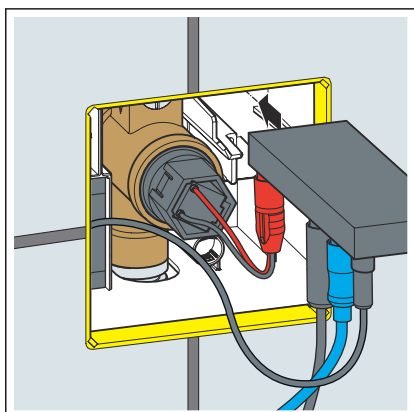
- Position the power pack, control, battery compartment and terminals.



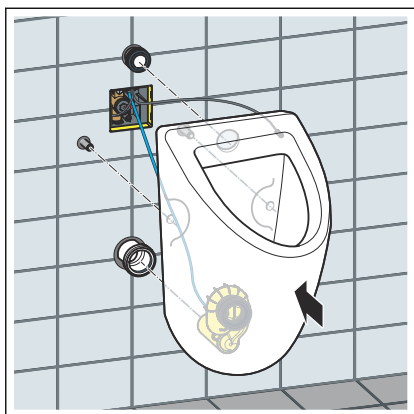
- Glue the holder for the reed contact at the rear into the sanitary ware.
- Press firmly against the holder.
- Clip the reed contact into the holder.
- Plug the suction moulded piece with the sensor onto the sanitary ware.



- Connect the plug to the control in the following sequence:
 - 1. Magnet valve plug on red bush
 - 2. Reed contact plug on black bush
 - 3. Sensor plug on blue bush
 - 4. Power pack plug on black bush



- Position the control in the revision shaft.



- Mount the sanitary ware.

3.2 Commissioning

3.2.1 Functionality test

During commissioning, carry out a function test with lukewarm water. Do this by pouring lukewarm water into the sanitary ware.



- Slowly pour the water onto the rear wall of the sanitary ware.

The response time for the flushing can be between 5–25 s (depending on the flow properties for the sanitary ware).

If flushing is not activated until after 45 s have elapsed, check the sensor in the suction device.

3.2.2 Activating the programs



- To activate the programs, hold the magnetic pin over the reed contact.

An acoustic signal sounds after a few seconds.

- To activate the required program, remove the magnetic pin after the acoustic signal concerned.

Service programs

Remove magnetic pin after	Service program	Function
1st acoustic signal	5 minutes flushing hold	To enable the urinal to be manually cleaned, the flushing program is put out of operation for 5 minutes. A main flushing procedure is then activated. The control then switches back to the pre-set flushing program.
2nd acoustic signal	Main flushing procedure	A main flushing procedure is activated. The control then switches back to the pre-set flushing program.
3rd acoustic signal	Interval cleaning	Flushing hold for 2 minutes. This is then followed by 5 short flushing procedures at 2 minute intervals. The control then switches back to the pre-set flushing program.

System diagnosis

Remove magnetic pin after	Signal (after a pause of approx. 10 seconds)	Error source/Fault	Remedy
4th acoustic signal	Single acoustic signal, no flushing	Magnet valve or water supply	Check the magnet valve to control connection. Check the water supply and the magnet valve.
	Double acoustic signal	Sensor	Check the sensor to control connection. Check the sensor and the control.
	Triple acoustic signal	Weak battery	Replace the batteries.

If a flushing is followed by an acoustic signal, the complete system is operational.

Flushing program

Remove magnetic pin after	Flushing program
5th acoustic signal	Program 1 (factory setting) 3 l flush volume
6th acoustic signal	Program 2: Normal use: 3 l flush volume Increased use: 1 l flush volume
7th acoustic signal	Program 3: 1 l flush volume

3.3 Errors, faults and remedy



In case of malfunctions, disconnect the model from the power supply and reconnect it after one minute.

3.4 Disposal

Separate the product and packaging materials (e. g. paper, metal, plastic or non-ferrous metals) and dispose of in accordance with valid national legal requirements.



Viega GmbH & Co. KG
service-technik@viega.de
viega.com

INT • 2022-08 • VPN210034

