

Instructions for Use

Prevista Dry WC element ceramic height individually adjustable



for WC flush plates for Prevista

Model
8521.32

Year built (from)
03/2019

viega

Table of contents

1	About these instructions for use	3
	1.1 Target groups	3
	1.2 Labelling of notes	3
	1.3 About this translated version	4
2	Product information	5
	2.1 Standards and regulations	5
	2.2 Intended use	5
	2.2.1 Areas of application	5
	2.3 Product description	5
	2.3.1 Overview	5
	2.3.2 Operating mode	6
	2.3.3 Compatible components	7
	2.3.4 Technical data	8
	2.4 Accessories	8
3	Handling	11
	3.1 Assembly information	11
	3.1.1 Mounting conditions	11
	3.1.2 Installation dimensions	12
	3.2 Assembly	12
	3.2.1 Mounting WC element	12
	3.2.2 Connecting concealed cistern	20
	3.2.3 Mounting the drain elbow	23
	3.2.4 Set and clad the WC element	25
	3.2.5 Replace gas pressure spring	27
	3.2.6 Setting the flush volume	27
	3.2.7 Mounting the cover plate	30
	3.2.8 Mounting actuating button	33
	3.2.9 Limiting the setting range	34
	3.2.10 Attaching protective sticker	35
	3.2.11 Mounting WC ceramic	35
	3.3 Use	37
	3.4 Cleaning and maintenance	38
	3.5 Disposal	39

1 About these instructions for use

Trade mark rights exist for this document; for further information, go to viega.com/legal.

1.1 Target groups

The information in this instruction manual is directed at the following groups of people:

- Heating and plumbing experts and trained personnel
- Consumers
- Drywall builders

Individuals without the abovementioned training or qualification are not permitted to mount, install and, if required, maintain this product. This restriction does not extend to possible operating instructions.

The installation of Viega products must take place in accordance with the general rules of engineering and the Viega instructions for use.

Handover to the user

This document contains information about operation and maintenance. Please make sure to hand the document over to the customer / operator / user after mounting.

1.2 Labelling of notes

Warning and advisory texts are set aside from the remainder of the text and are labelled with the relevant pictographs.



DANGER!

This symbol warns of possible life-threatening injury.



WARNING!

This symbol warns of possible serious injury.



CAUTION!

This symbol warns of possible injury.

**NOTICE!**

This symbol warns of possible damage to property.



This symbol gives additional information and hints.

1.3 About this translated version

This instruction for use contains important information about the choice of product or system, assembly and commissioning as well as intended use and, if required, maintenance measures. The information about the products, their properties and application technology are based on the current standards in Europe (e.g. EN) and/or in Germany (e.g. DIN/DVGW).

Some passages in the text may refer to technical codes in Europe/Germany. These should serve as recommendations in the absence of corresponding national regulations. The relevant national laws, standards, regulations, directives and other technical provisions take priority over the German/European directives specified in this manual: The information herein is not binding for other countries and regions; as said above, they should be understood as a recommendation.

2 Product information

2.1 Standards and regulations

The following standards and regulations apply to Germany / Europe and are provided as a support feature.

Regulations from section: Fields of application / Mounting conditions

Scope / Notice	Regulations applicable in Germany
Suitable masonry walls	EN 1996-1-1
Suitable concrete walls	DIN 1045
Suitable stud frames	DIN 18183

2.2 Intended use

2.2.1 Areas of application

The Prevista Dry WC element is suitable for mounting on masonry wall constructions and stud frames pursuant to the regulations in section [↪ Chapter 2.1 'Standards and regulations' on page 5](#) and can be used in a Prevista Dry Plus pre-wall construction.

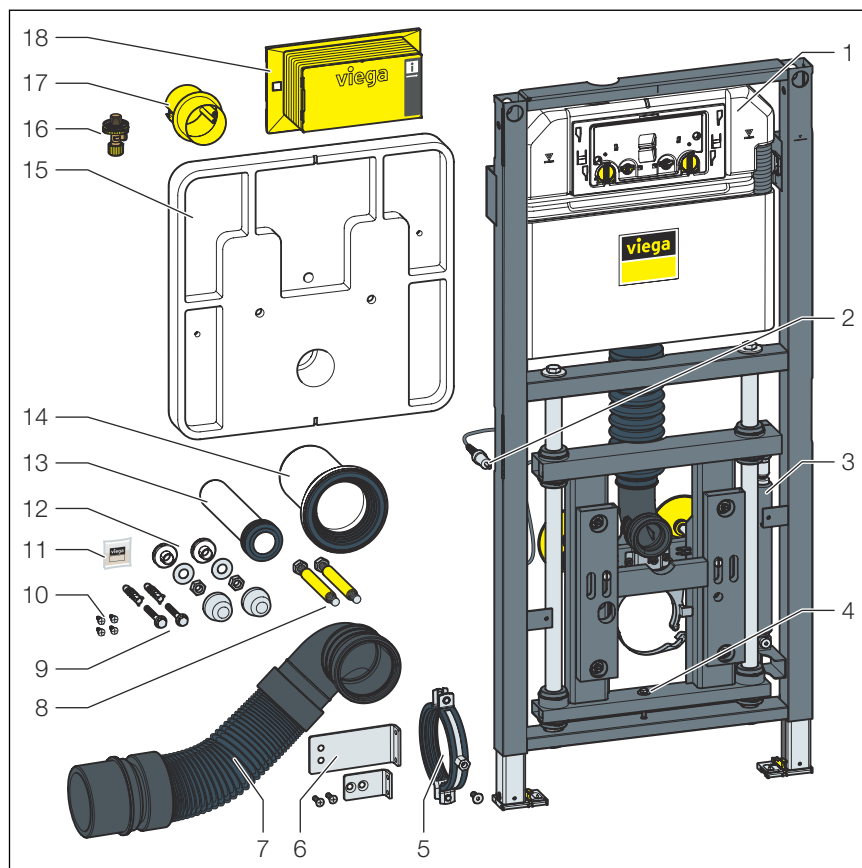
The individual seat height can be adjusted within a range of 80 mm (310–390 mm).

Operation of the WC element is possible from a total weight of at least 60 kg (body weight and WC ceramic).

2.3 Product description

2.3.1 Overview

The WC element is equipped as follows:


Fig. 1: Components

- 1 3H concealed cistern
- 2 hydraulic cylinder with hydraulic hose and actuation unit
- 3 Gas pressure spring
- 4 transport lock
- 5 pipe clamp
- 6 Mounting bracket for drain elbow
- 7 Drain elbow
- 8 threaded rods for fixing sanitary objects (gauges for bore hole 180 mm)
- 9 Screws and dowels for fixing in the floor
- 10 Screws for fixing in stud frame
- 11 Silicon grease
- 12 Mounting set for WC ceramic
- 13 Flushing pipe
- 14 WC connection socket with lip seal
- 15 Hard foam block
- 16 Corner valve
- 17 Cavity socket for the release button
- 18 Inspection shaft cover

2.3.2 Operating mode

The height-adjustable WC element is operated without electronics and functions with the help of a gas pressure spring.

The gas pressure spring enables continuous adjustment of the seat height.



CAUTION!
Risk of crushing

The cover plate shifts in parallel with the wall surface during the height adjustment. Due to this, there is the risk of crushing in the areas above and below the cover plate.

- Keep your hands away from the dangerous areas.

Lowering WC

When the actuating button is pressed and there is a load of at least 60 kg (body weight and WC ceramic), the ceramic is lowered by a maximum of 80 mm.

Lifting WC

When the actuating button is pressed and there is no load on the WC ceramic, the WC ceramic is raised by a maximum of 80 mm by the gas pressure spring.

2.3.3 Compatible components

The WC element is compatible with all common WC ceramics, even with larger projection (barrier-free).

The WC element can be extended by the following compatible components:

- Prevista Dry fixing element
- Prevista Dry fixing set model 8570.36
- Prevista Dry fixing set model 8573
- Prevista Dry Plus fixing set model 8570.49
- Accessory set electronic model 8655.11

- Mount the components in accordance with the respective instructions for use.

Odour extraction

The odour extraction system is suitable for reducing odour nuisance in indoor bathrooms and highly frequented toilet facilities. The odour extraction system is connected to the ventilation system directly.

2.3.4 Technical data

Product data

Adjustable seat height	approx. 420–500 mm ¹⁾
Wall construction (incl. wall tile)	max. 45 mm
Drive weight (body weight + ceramic weight)	min. approx. 60 kg
Drive weight	max. approx. 28 kg
Release force for the actuating button	approx. 30 N
Load on middle of ceramic	max. 400 kg

¹⁾ at factory-set fixing height of 340–420 mm

Flush volume

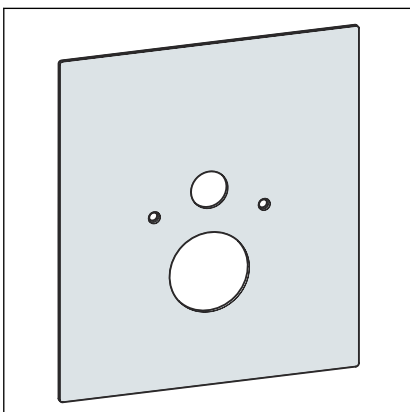
Small flush volume	Factory setting	Approx. 3 l
	Setting range	Approx. 2–4 l
Large flush volume	Factory setting	Approx. 6 l
	Setting range	Approx. 3.5–7.5 l

Water pressure

Water pressure min.	15 kPa (0.15 bar)
Water pressure max.	1000 kPa (10 bar)

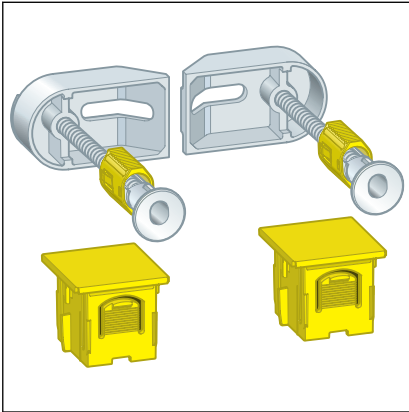
2.4 Accessories

Required accessories



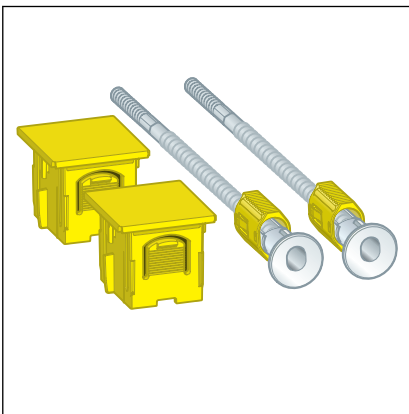
The WC element is delivered without cover plate. You require the cover plate model 8570.39 for mounting.

Optional accessories

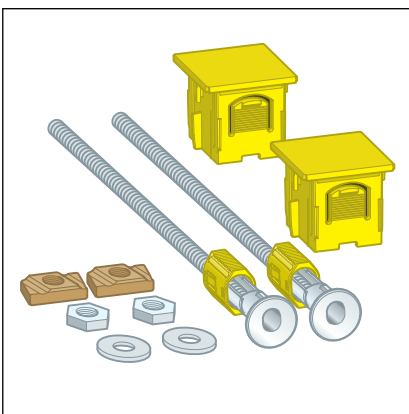


For mounting, Viega recommends to use the Prevista Dry fixing set.

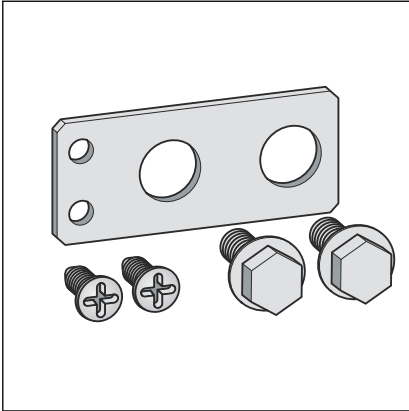
Prevista Dry fixing set model 8570.36 for fixing the Prevista Dry elements in single / line mounting, single mounting directly onto the installation body or corner mounting on masonry or steel stud frame.



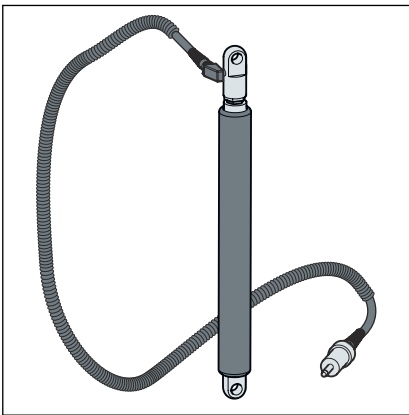
Prevista Dry fixing set model 8573 for single mounting of Prevista Dry elements to the solid wall.



Prevista Dry Plus fixing set model 8570.49 for single mounting of the Prevista Dry elements in Prevista Dry Plus.



When mounting a fastening element (model 8570.32), use the connection set (model 8570.65).



If a WC ceramic that weighs more than 28 kg is mounted, a gas pressure spring, model 8580.6, is also required. This gas pressure spring replaces the gas pressure spring supplied.

3 Handling

3.1 Assembly information

3.1.1 Mounting conditions

Suitable walls

- Masonry walls
- Concrete walls
- Metal stud frames
- Prevista Dry Plus pre-wall constructions

The wall constructions must comply with the regulations in section [Chapter 2.1 'Standards and regulations'](#) on page 5.

The WC element may only be mounted on even wall surfaces.

Construction height

With the construction height, the marked height of the upper edge of the finished floor must be observed.

Installation depth

The installation depth is maximum 200 mm.

WC ceramic

The WC element can only be used in combination with wall-hung WCs (fixing gauges for bore hole 180 mm).

Water connection

The WC element has an R ½ inch water connection.



NOTICE!

Always use the newly delivered hose set for the water connection. Do not use old hose sets.

Actuation versions

The WC element can be extended by a remote flush actuation or by an electronic actuation, as well as by sensitive flush plates. The cables for these electrical actuation versions must be laid before cladding.

The corresponding conduit pipe is required when preparing the remote flush actuation.

3.1.2 Installation dimensions

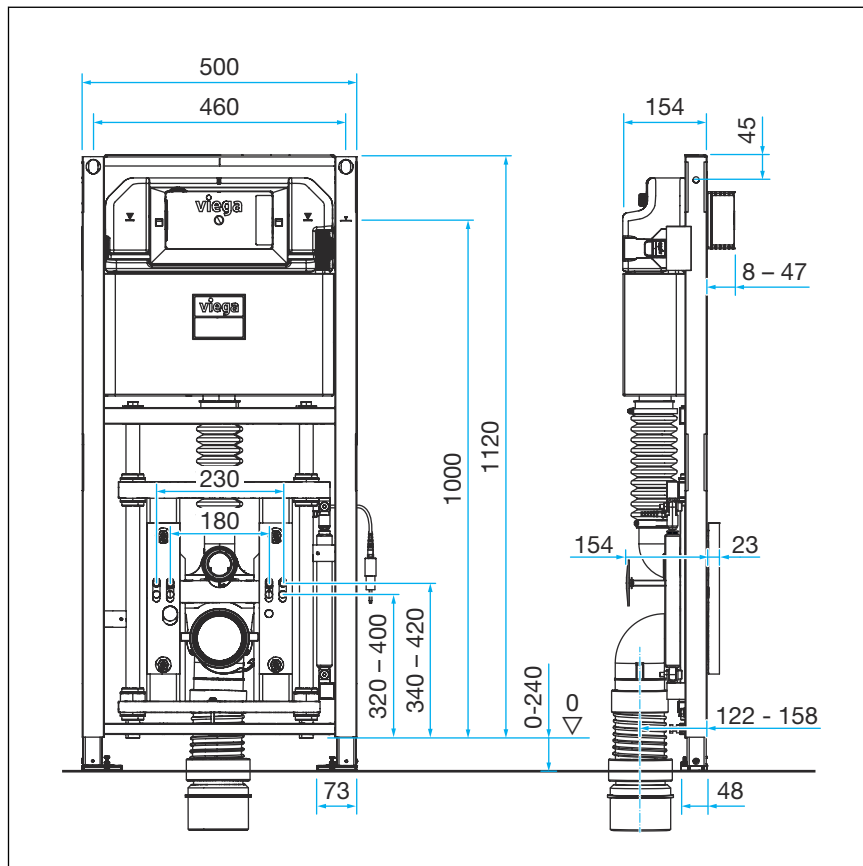
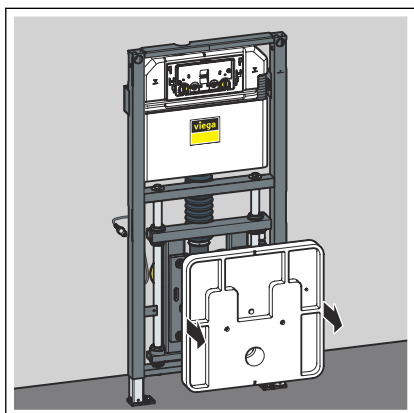


Fig. 2: Dimensional drawing

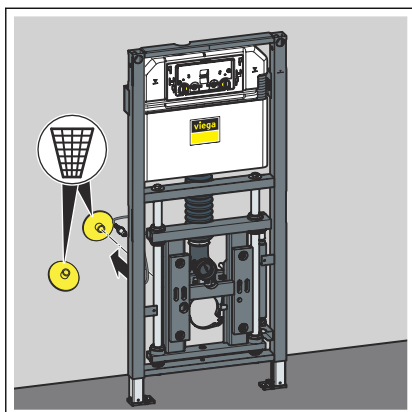
3.2 Assembly

3.2.1 Mounting WC element

Preparing the WC element



- Remove the mounting template from the element.



- Remove the transport locks from the threaded rods and discard.

Mounting to a masonry wall

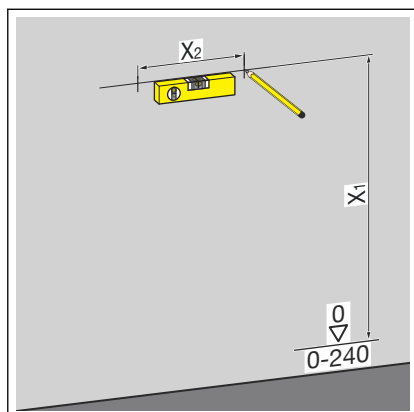


Masonry and concrete walls

When mounting multiple WC elements with an interval of > 500 mm, Viega recommends using a Prevista Dry support bracket (model 8570.48). Observe the instructions for use of the support bracket when mounting.

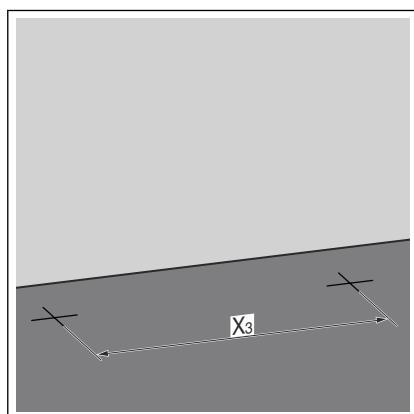


For mounting, Viega recommends to use a Prevista Dry fixing set.



► Determine and mark the fixing points.

- X1: 1100 mm
- X2: Depending on the fixing set used



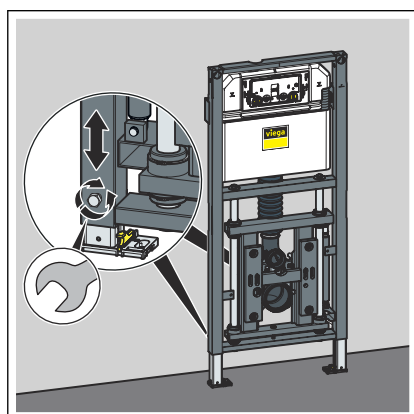
► Determine and mark the fixing points on the floor.

- X3: 375 mm

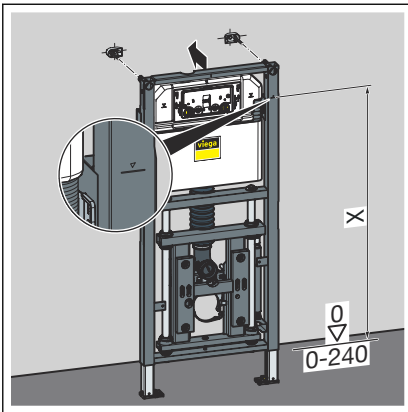
► Drill the holes.

► Insert the dowels.

INFO! Mount the Prevista Dry fixing set pursuant to the instructions for use for the fixing set.



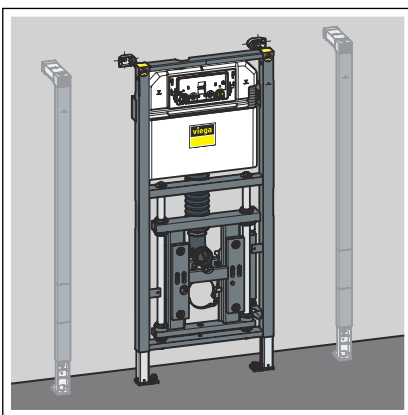
► Loosen the feet of the element using a fork spanner.



► Adjust the construction height of the element in accordance with the on-site marking of the upper edge of the finished floor.

■ X: 1000 mm

► Tighten the feet of the element using a fork spanner.

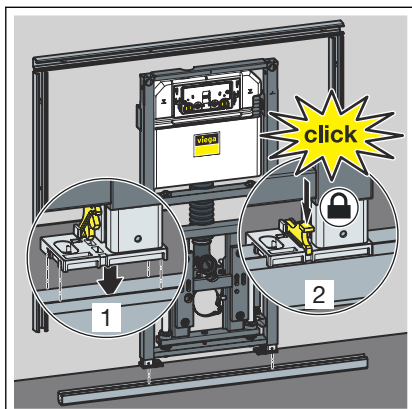


□ The element is attached to the wall.

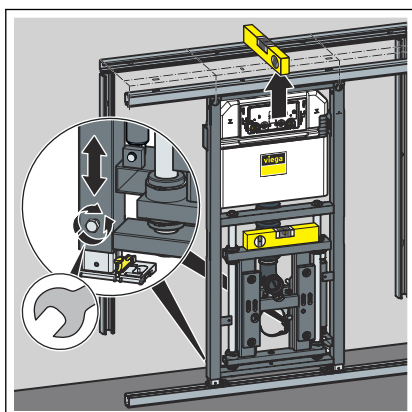
Mounting in Prevista Dry Plus



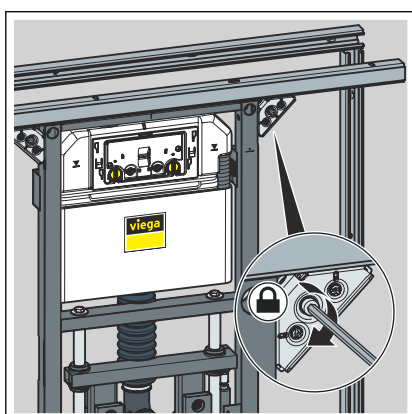
Mount the Prevista Dry Plus pre-wall construction pursuant to the instructions for use of the Prevista Dry Plus system.



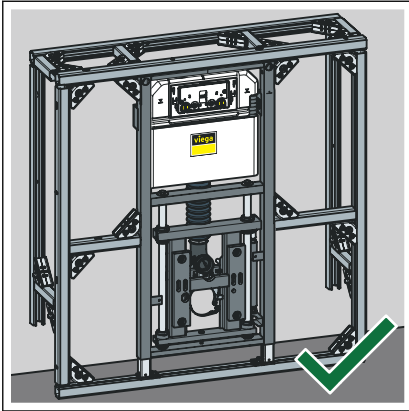
- Position the element on the floor rail.
- Fix the feet on the floor rail using the clips.



- Set the height of the element by means of the feet.

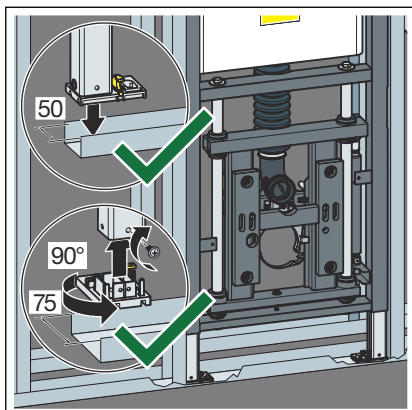


- Fix the element with the Prevista Dry Plus rail connectors.

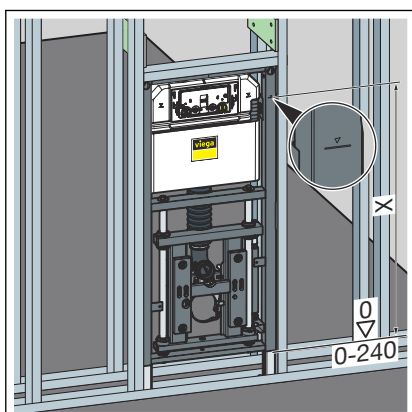


- The element is fixed in the Prevista Dry Plus pre-wall construction.

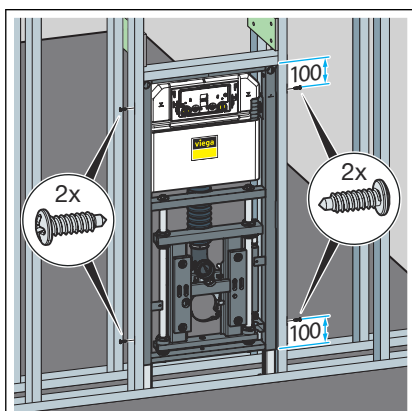
Mounting in steel stud frame



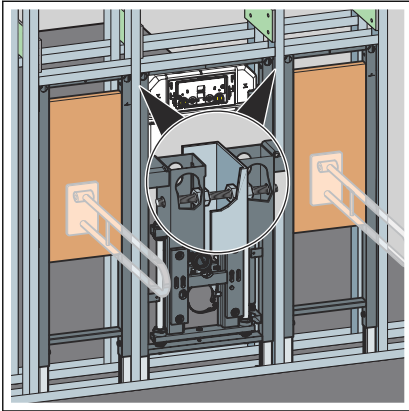
- Position the element on the floor rail.
- If necessary, adjust the foot depth from 50 mm (pre-mounted) to 75 mm.
- Pull the foot out and turn by 90°.
- Fix the feet.



- Adjust the construction height of the element in accordance with the on-site marking of the upper edge of the finished floor.
 - X: 1000 mm

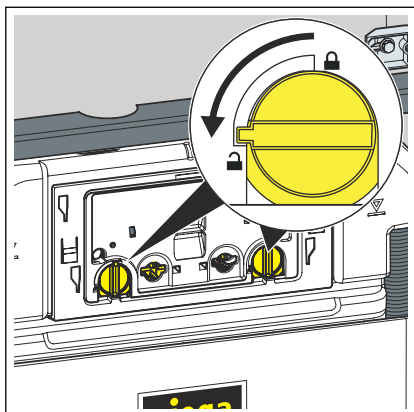


- Attach the element to the stud frame using the screws supplied.

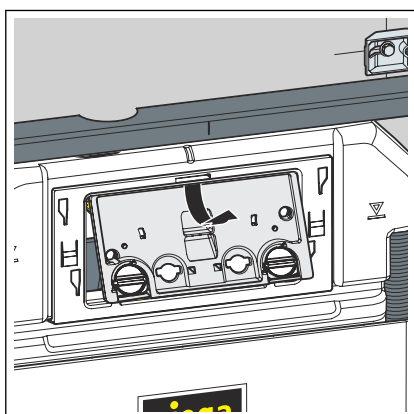


- If applicable, connect further elements to the element via the stud frame.

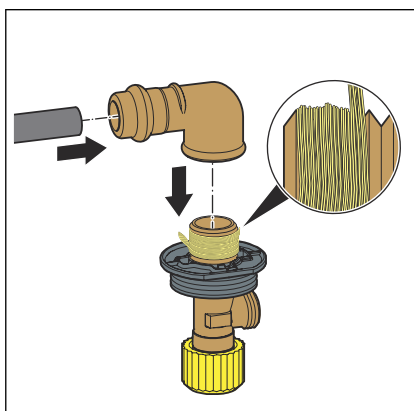
3.2.2 Connecting concealed cistern



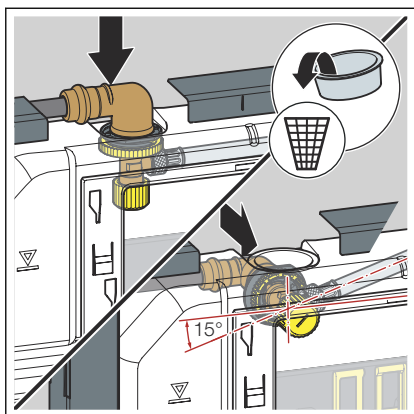
- Turn the site protection panel lock 90° anti-clockwise.



- Remove the site protection panel.

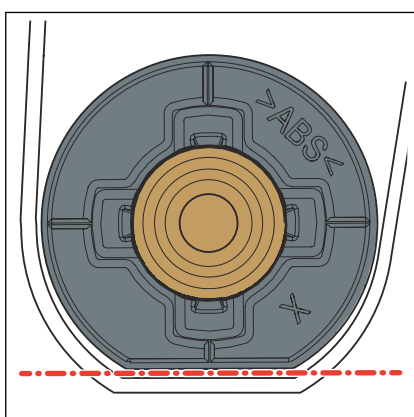


- Place the press connector onto the water inlet.
- Press the connection.
- Seal the threaded connectors of the corner valve.
- Screw the corner valve into the thread side of the press connector.

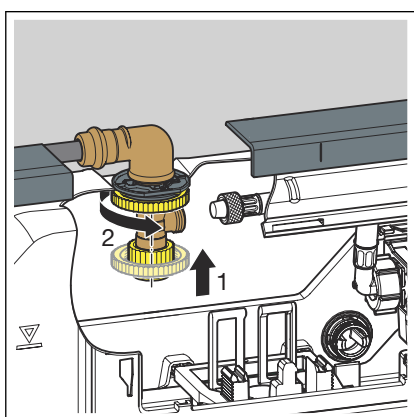


INFO! For the concealed cistern 3H, the corner valve can be attached from the top or rear.

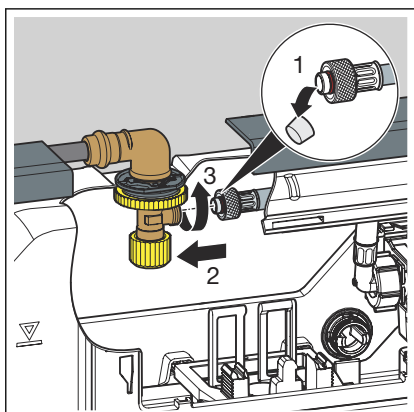
- Remove the plug.
- Insert the corner valve into the cistern.



INFO! Observe the proper fit of the corner valve.



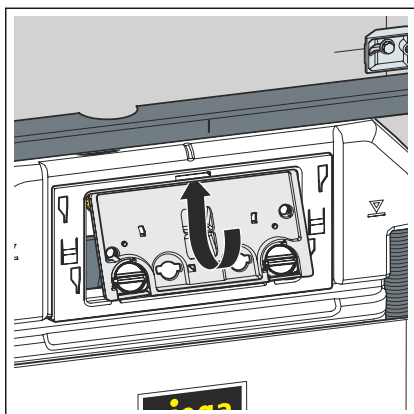
- Use the lock nut to screw the corner valve and the cistern to each other.



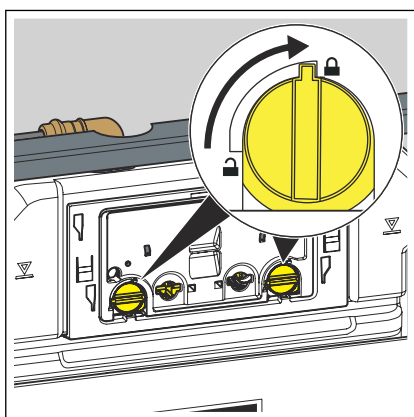
- Remove the protective cap from the flexible hose.
- Screw the flexible hose and the corner valve to each other (hand tight).

INFO! If a WC flush plate with electronic flush actuation is to be mounted, the small flush volume must be set to 2 litres.

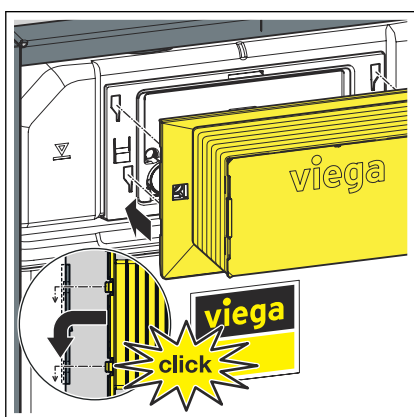
- Set the flush volume as applicable, ↗ **Chapter 3.2.6 'Setting the flush volume' on page 27.**



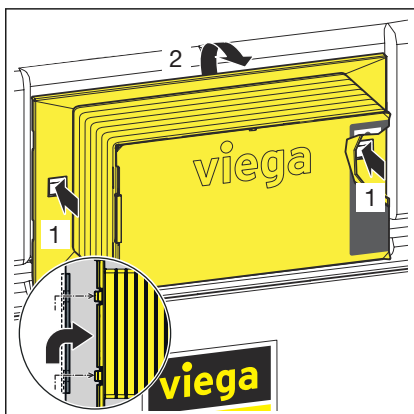
➤ Insert the site protection panel into the cistern.



➤ Turn the site protection panel's lock by 90° clockwise.



➤ Place the inspection shaft on the site protection panel.

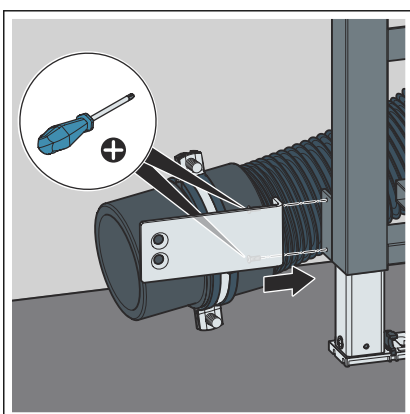
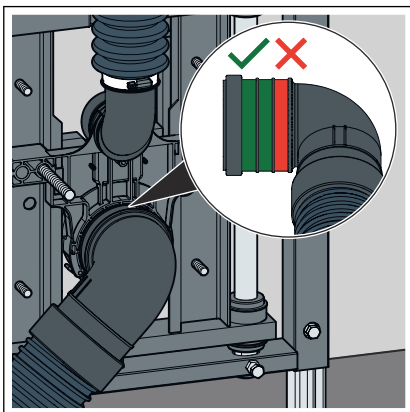


To remove the inspection shaft, press in the fixing clips at the side.

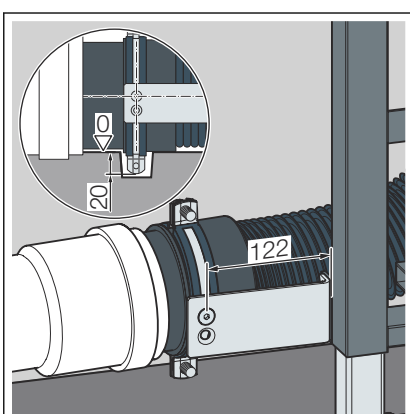
3.2.3 Mounting the drain elbow

Avoid the following when mounting:

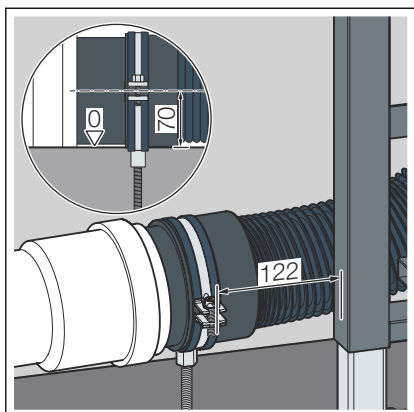
- sagging
- tensile strain
- Mounting possible on both right and left.
- If the drain elbow is to be fastened on the right-hand side of the element, position the drain elbow according to the picture.
- Fasten the drain elbow.



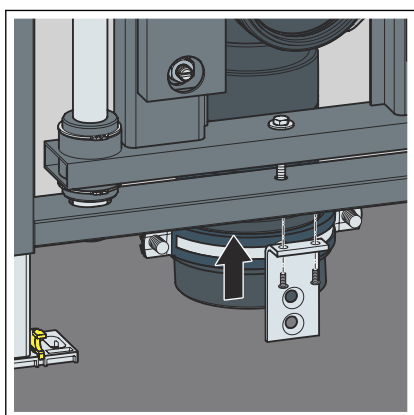
- Screw the fixing elbow on the element.



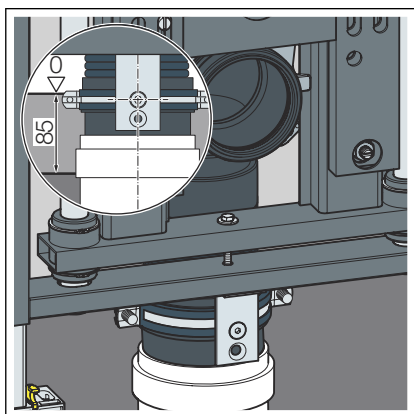
- Screw the drain elbow with the fixing elbow.



- Alternative 1: Secure the drain elbow onto the wall or floor without the fixing material supplied, taking into account the fixing sizes.

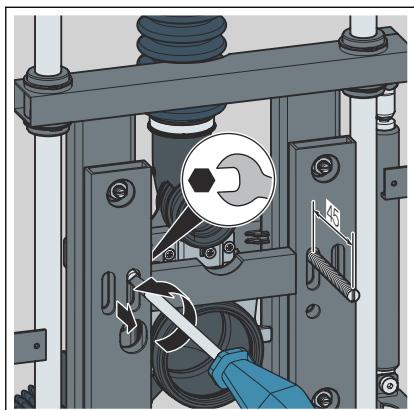


- Alternative 2: Vertical pipeline through the bare concrete floor
Screw the fixing elbow on the element.

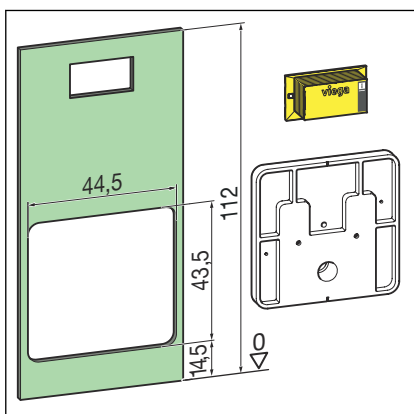


INFO! Installing pipelines vertically through the bare concrete floor is only possible with the drain elbow (model 8095, Art. No. 713744). The screed height must be at least 85 mm.

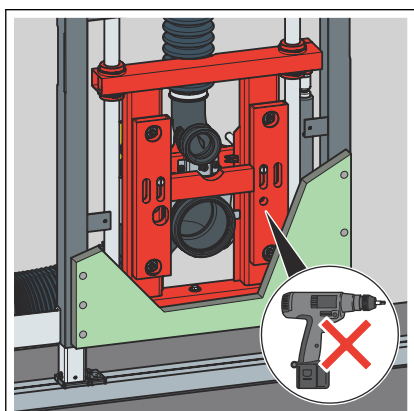
3.2.4 Set and clad the WC element



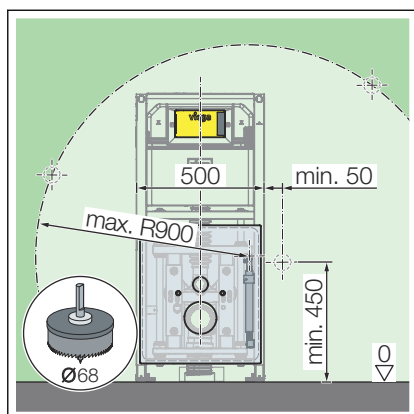
- Unscrew the threaded rod of the WC fastening so that it projects out by approx. 45 mm.



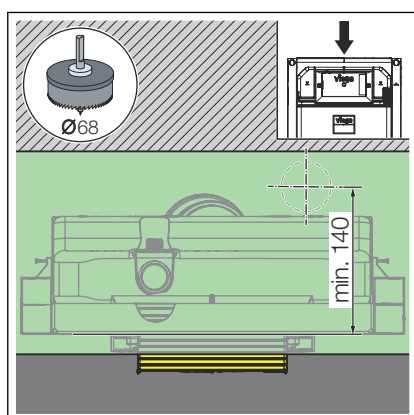
- Cut out the recesses for the mounting template.
- Clad the element with suitable gypsum cardboard cladding panels.



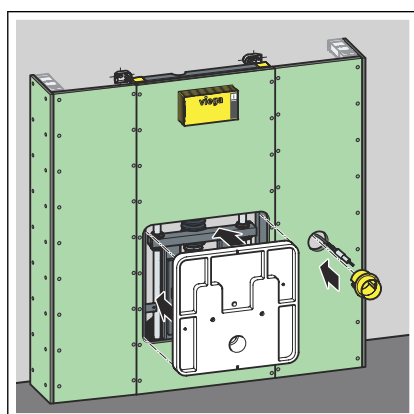
- The plasterboard cladding panels must not be screwed together with the height-adjustable internal frame!



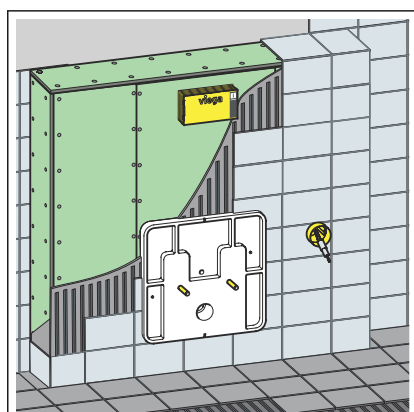
- Mark the concealed socket on the left or right hand side, as required, and drill the recess hole.



- If the actuation button is mounted above the cistern, maintain a minimum distance of 140 mm to the centre of the concealed socket.



- Install the concealed socket and mounting template.



- Tile up to the mounting template and concealed socket.

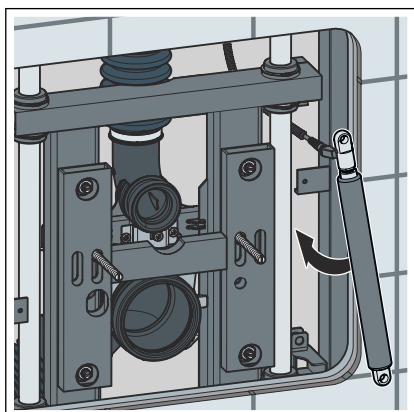
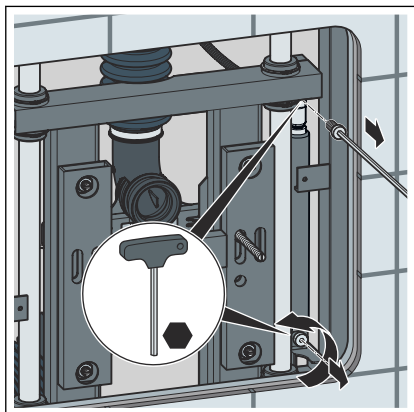
3.2.5 Replace gas pressure spring



When mounting a WC ceramic that weighs more than 28 kg, replace the gas pressure spring comprised in the delivery by the gas pressure spring (model 8580.6).

Requirements:

- WC ceramic is at the lowest position
- Following components are removed:
 - WC ceramic
 - Cover plate
 - Actuating button / Hydraulic actuation
 - cover frame
- Remove the gas pressure spring by unscrewing the top and bottom 5 mm Allen screw.



- Insert the new gas pressure spring and attach with the Allen screws.

Re-mount following components:

- cover frame
- Actuating button / Hydraulic actuation
- Cover plate
- WC ceramic

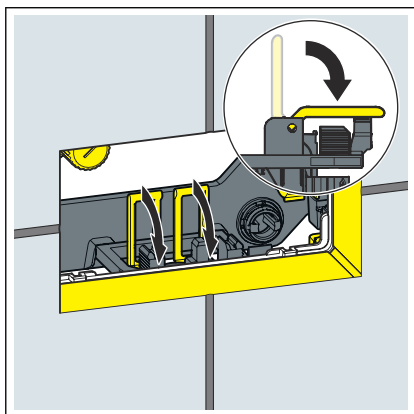
3.2.6 Setting the flush volume



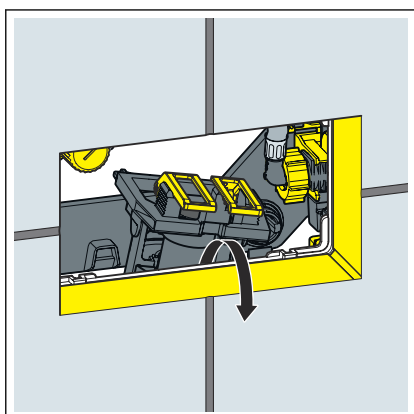
For an electronic flush actuation, the small flush volume must be set to 2 litres.

Requirements:

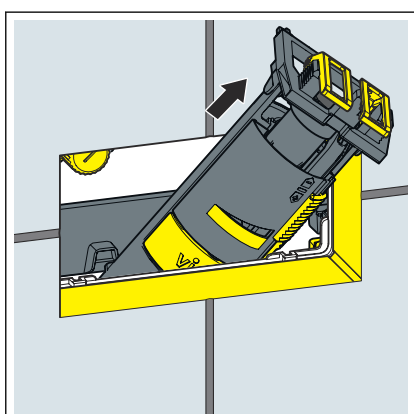
- The cistern is freely accessible.
- The water supply has been shut off.
- The ceramic has been mounted.
- Fold the tabs forward.

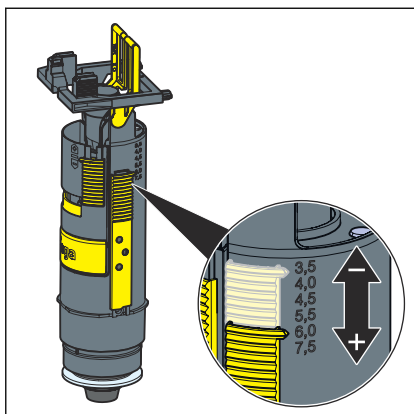


- Lift the drain valve.

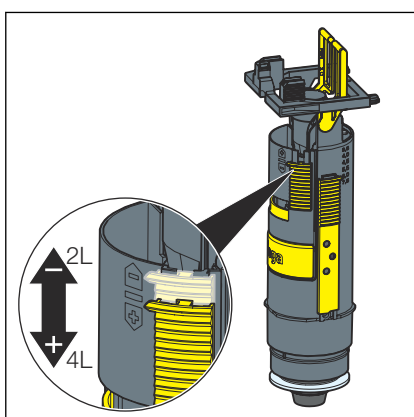


- Remove the drain valve through the revision opening.





➤ Set the large flush volume at the drain valve.

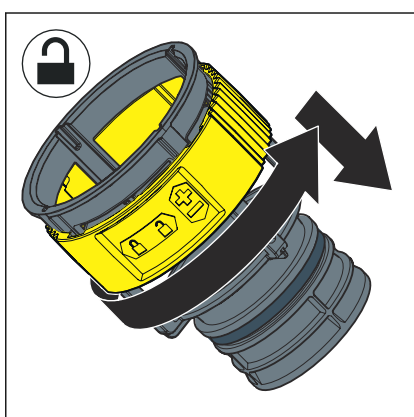


➤ Set the small flush volume at the drain valve.

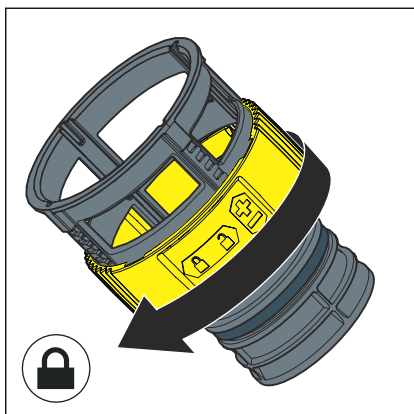
Setting the flush flow

Requirements:

- The drain valve has been dismantled.
- The flushing throttle has been removed.

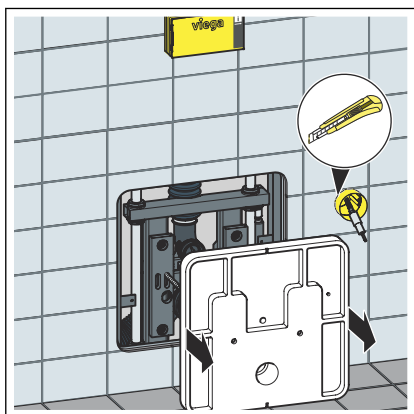


- Unlock the flushing throttle.
- Set the flush flow at the throttle.

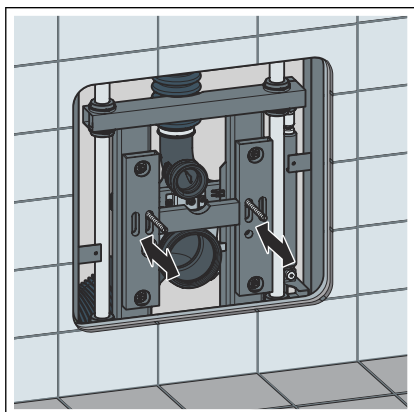


- Lock the flushing throttle.

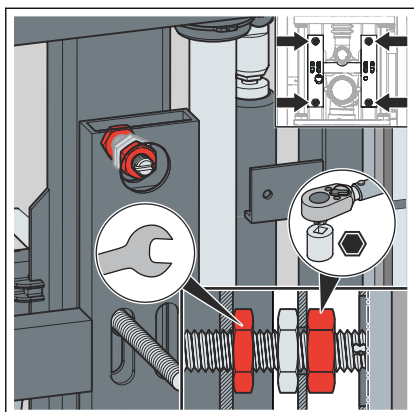
3.2.7 Mounting the cover plate



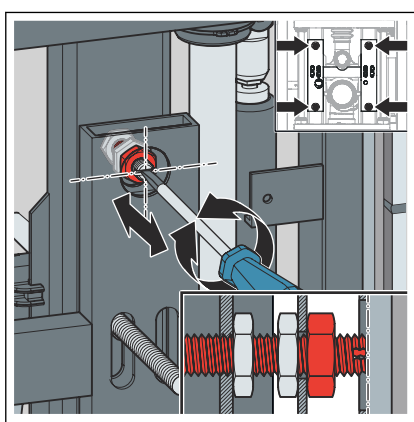
- Remove the mounting template.
- Cut the concealed socket flush with tiles.



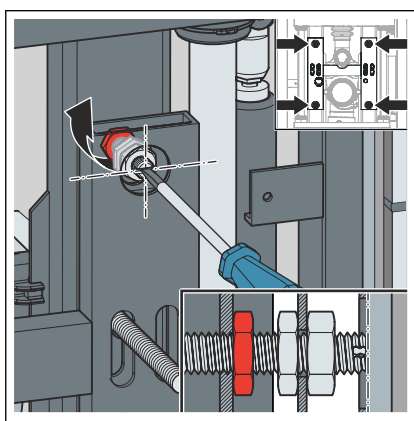
- Mount the bearing surface (H support) for the cover plate flush with the wall surface.



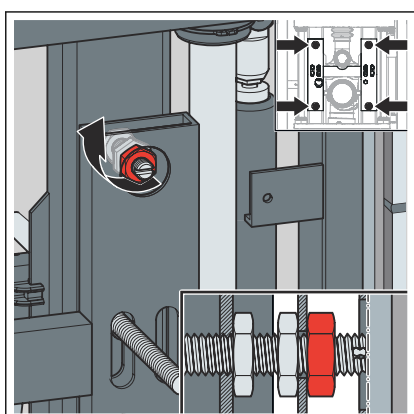
- Loosen the four threaded nuts on the element.
- Loosen the four front threaded nuts on the sides of the bearing surface.



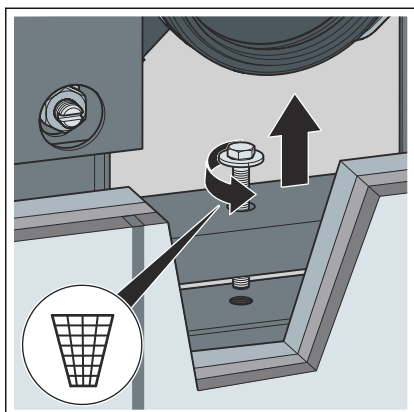
- Screw the threaded nuts in or out to adjust all four points flush with the wall surface.
- Check they are flush with the wall surface using a spirit level.



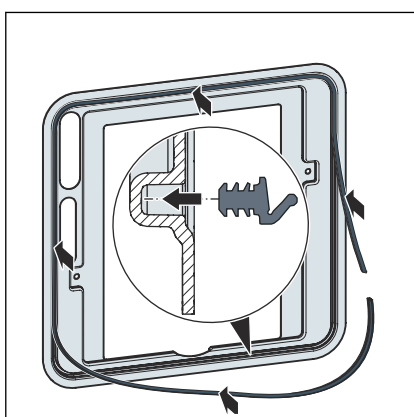
- Tighten the rear threaded nut at all four points.
When doing so, hold the threaded bolts with a flat-blade screwdriver.



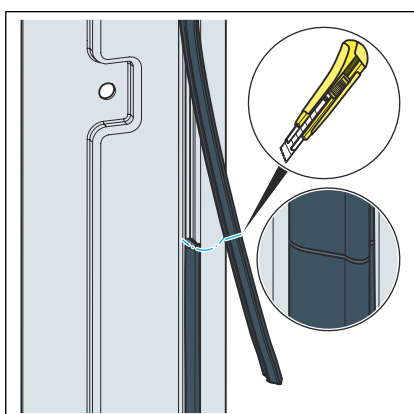
- Tighten the front threaded nuts of all four points.
- Check to ensure they are flush.



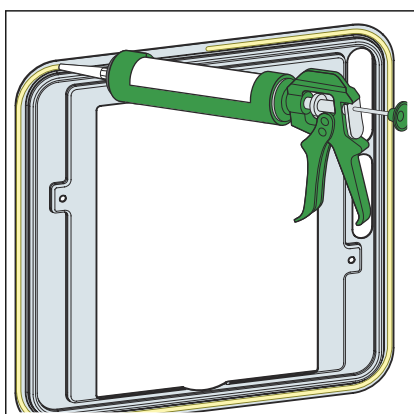
➤ Remove the transport lock and discard.



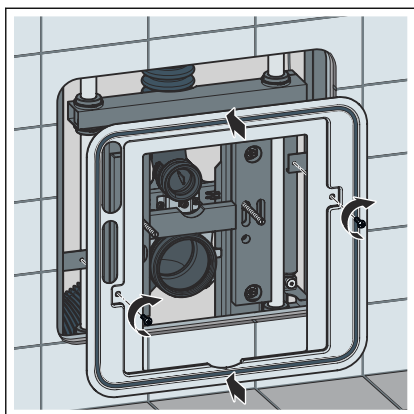
➤ Fit the supplied seal in the cover frame on the front.



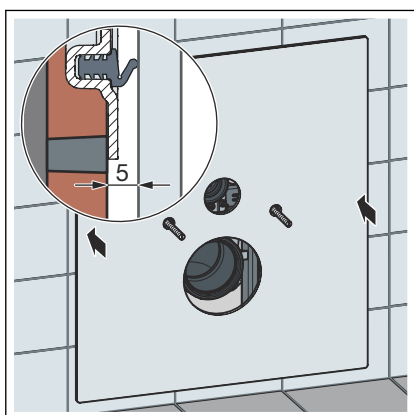
➤ If necessary, cut the seal to the appropriate length.



➤ Apply the silicone seal to the rear of the cover frame.

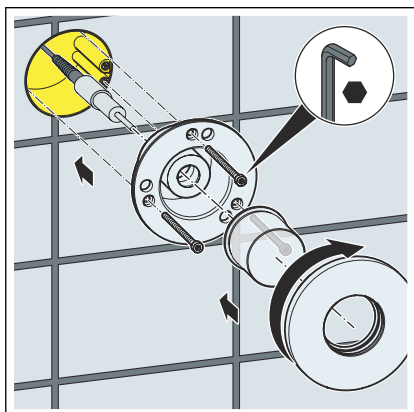


- Align the cover frame.
- Attach the cover frame to the element with the recessed head screws supplied.

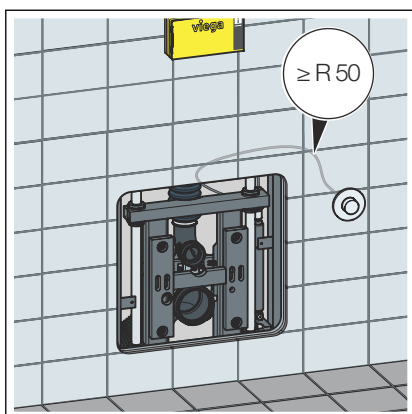


- Apply the cover plate and secure with the supplied screws.
- Check: The clearance between the wall and the cover plate must amount to 5 mm to ensure that the WC height adjustment functions smoothly.

3.2.8 Mounting actuating button



- Screw the sleeve onto the hydraulic cylinder.
- Screw the sleeve tightly into the concealed socket with the screws supplied.
- Screw on the actuating button and push the rosette onto the actuating button.
- Screw the rosette onto the sleeve.



- The radius of the hydraulic actuation must be at least 50 mm. This prevents the hydraulic actuation from buckling.

3.2.9 Limiting the setting range

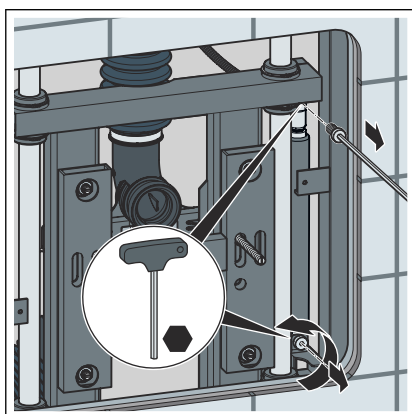
The length of the gas pressure spring, and therefore also the setting range of the WC, can be limited by max. 20 mm if the upper edge of the finished floor is higher than intended.

The cover plate can be prevented from touching by using spacer washers (4 mm each).

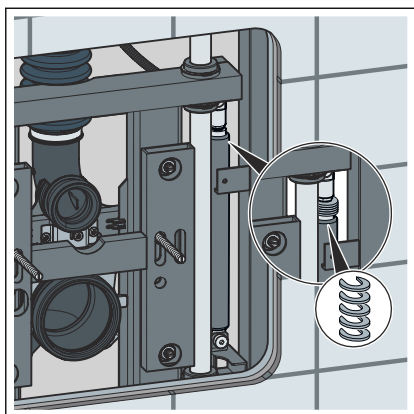
A maximum of five spacer washers may be used.

Requirements:

- The WC ceramic is at the lowest position.
- Following components are removed:
 - WC ceramic
 - Cover plate
 - Actuating button / hydraulic actuation
 - cover frame



- Remove the gas pressure spring by unscrewing the top and bottom 5 mm Allen screw.



- Place the relevant number of spacer washers below the piston rod of the gas pressure spring.

3.2.10 Attaching protective sticker

Depending on the version of the WC lid, it may be that there is contact with the wall during the height adjustment of the WC. Attaching the protective sticker prevents damage to the surface in the possible contact area on the wall and on the surface of the WC lid.

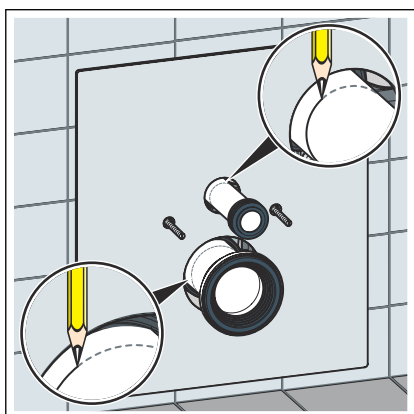


- Determine the area of contact between the wall and the WC lid on the wall.
- Clean the contact area on the wall.
- Stick the protective sticker to the contact area.

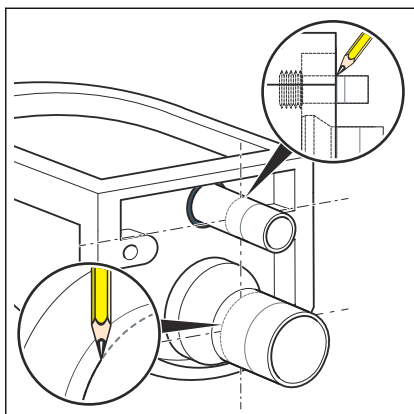


The protective sticker protects the wall and the surface of the WC lid from damage in case of further height adjustments.

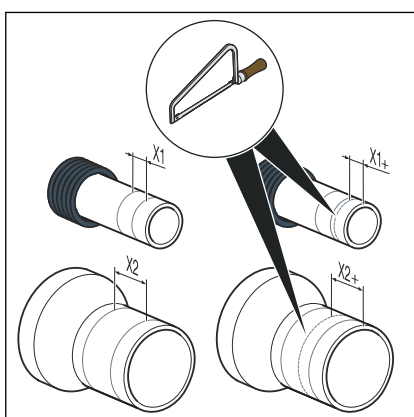
3.2.11 Mounting WC ceramic



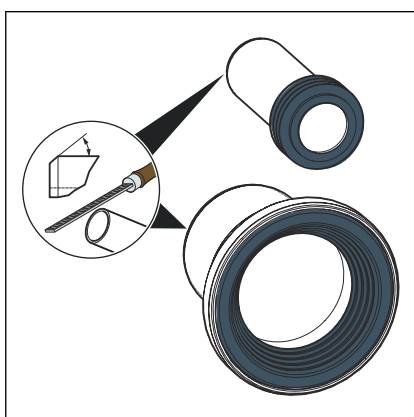
- Mark the insertion depth of the flush pipe and drainpipe.



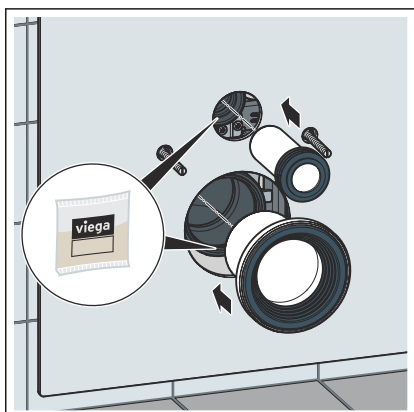
► Cut the flush pipe and drainpipe to length.



► Deburr the flush pipe and drainpipe.

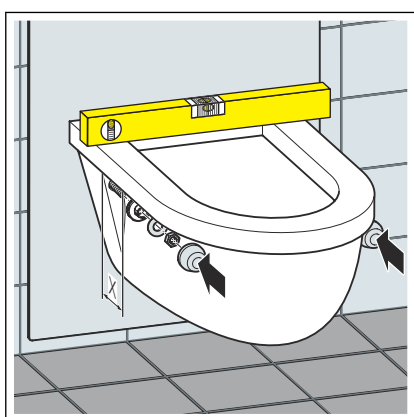


► Coat the flush pipe and drainpipe with silicon grease and insert them.





- Install the WC ceramic and sound insulation panel.



- Align and secure the WC ceramic.
- Seal the gap between WC ceramic and cover plate with silicone.

3.3 Use



CAUTION! **Risk of crushing**

The cover plate shifts in parallel with the wall surface during the height adjustment. Due to this, there is the risk of crushing in the areas above and below the cover plate.

- Keep hands and feet away from the dangerous areas.

Lowering WC



Requirements:

- Total weight of min. 60 kg (body weight and WC ceramic)
- WC ceramic's own weight max. 28 kg
- open WC lid
- Sit on the toilet seat.
- Press the actuating button and continue to hold until the desired height is reached.

Lifting WC



Requirements:

- unladen toilet seat
- WC ceramic's own weight max. 28 kg
- Press the actuating button and continue to hold until the desired height is reached.

3.4 Cleaning and maintenance

Maintenance and cleaning work may only be carried out by specialist trade professionals or qualified experts.

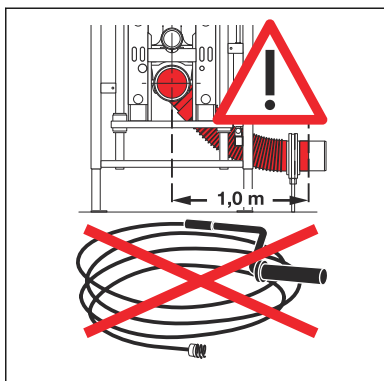
Cleaning

The cover plate may only be cleaned using mild cleaning agents containing soap.

Scouring milk and cleaning agents or disinfectants containing the following ingredients may **not** be used:

- alcohol
- Ammoniac
- hydrochloric acid

- phosphoric acid
- acetic acid



NOTICE!
Pipe damage

Do not use a cleaning spiral around the area of the flexible drain elbow on the WC connection.

Cleaning and maintenance of the concealed cistern

The concealed cistern is constantly under mechanical, chemical, and physical stress. For this reason, the components must be cleaned as required, and the drain and filling valve seals renewed.

In areas or regions with hard water due to high concentration of calcium or magnesium salts, there is the risk of limescale deposits developing on the inlet and drain valves. The valves may have to be replaced, depending on the extent of the deposits.

Maintenance

The mechanism of the WC element is maintenance-free.

3.5 Disposal

Separate the product and packaging materials (e. g. paper, metal, plastic or non-ferrous metals) and dispose of in accordance with valid national legal requirements.



Viega GmbH & Co. KG
service-technik@viega.de
viega.com

INT • 2022-09 • VPN210786

