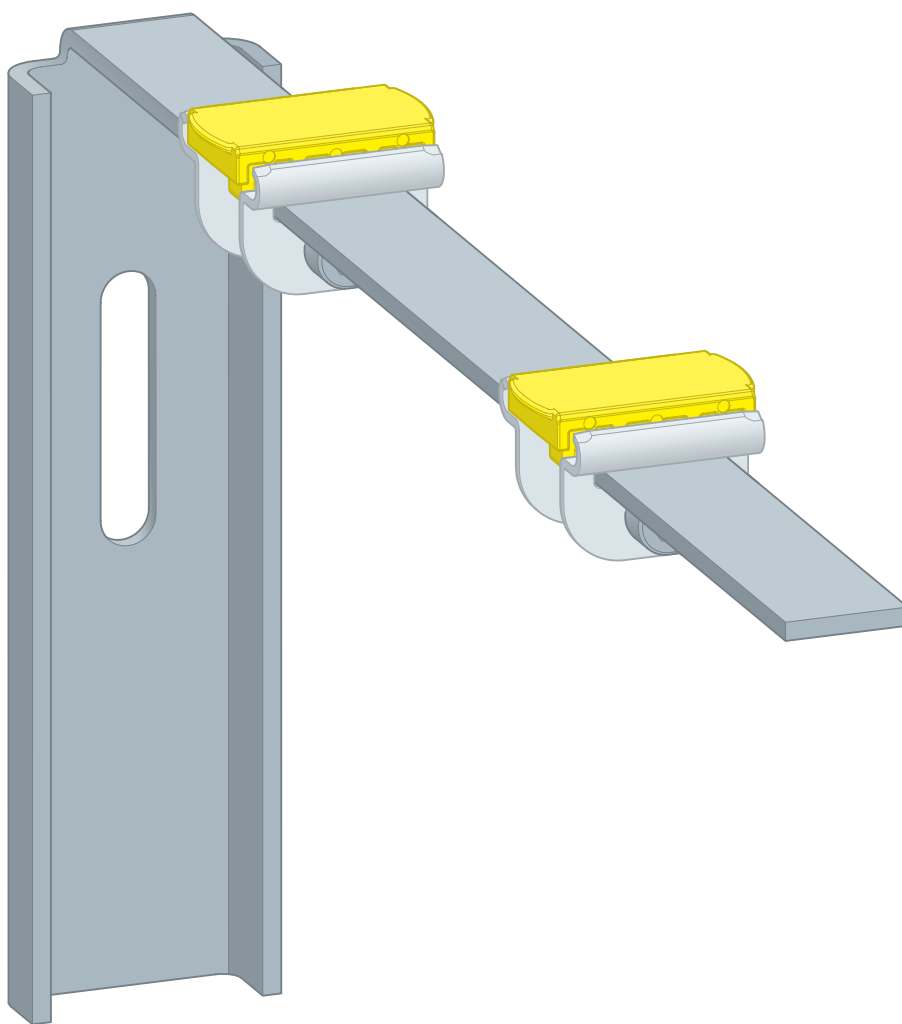


Instructions for Use

Prevista Dry Plus mounting angle



for wall mounting

Model
8413

viega

Table of contents

1	About these instructions for use	3
	1.1 Target groups	3
	1.2 Labelling of notes	3
	1.3 About this translated version	4
2	Product information	5
	2.1 Intended use	5
	2.1.1 Areas of use	5
	2.2 Product description	5
	2.2.1 Overview	5
	2.2.2 Compatible components	5
3	Handling	7
	3.1 Assembly information	7
	3.1.1 Installation dimensions	7
	3.1.2 Required material and tools	7
	3.2 Assembly	8
	3.2.1 Mounting the mounting angle	8
	3.3 Disposal	11

1 About these instructions for use

Trade mark rights exist for this document; for further information, go to viega.com/legal.

1.1 Target groups

The information in this instruction manual is directed at the following groups of people:

- Heating and plumbing experts and trained personnel
- Drywall builders

Individuals without the above-mentioned training or qualifications are not permitted to mount, install or, if appropriate, maintain this product. This restriction does not extend to possible operating instructions.

The installation of Viega products must take place in accordance with the generally accepted rules of engineering and the Viega instructions for use.

1.2 Labelling of notes

Warning and advisory texts are set aside from the remainder of the text and are labelled with the relevant pictographs.



DANGER!

This symbol warns of possible life-threatening injury.



WARNING!

This symbol warns of possible serious injury.



CAUTION!

This symbol warns of possible injury.



NOTICE!

This symbol warns of possible damage to property.



This symbol gives additional information and hints.

1.3 About this translated version

This instruction for use contains important information about the choice of product or system, assembly and commissioning as well as intended use and, if required, maintenance measures. The information about the products, their properties and application technology are based on the current standards in Europe (e.g. EN) and/or in Germany (e.g. DIN/DVGW).

Some passages in the text may refer to technical codes in Europe/Germany. These should serve as recommendations in the absence of corresponding national regulations. The relevant national laws, standards, regulations, directives and other technical provisions take priority over the German/European directives specified in this manual: The information herein is not binding for other countries and regions; as said above, they should be understood as a recommendation.

2 Product information

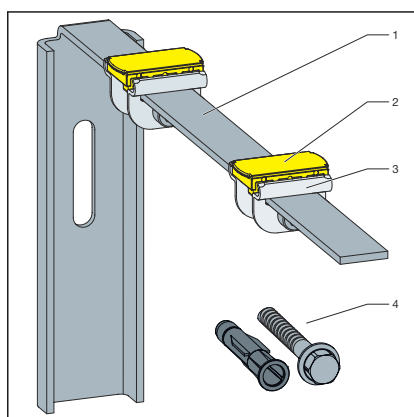
2.1 Intended use

2.1.1 Areas of use

The Prevista Dry Plus mounting bracket is intended for wall mounting.

2.2 Product description

2.2.1 Overview



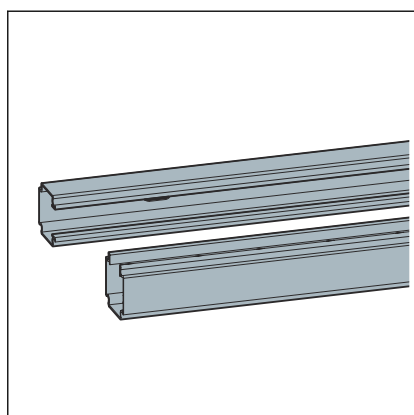
- 1 Mounting bracket
- 2 Plug-in piece
- 3 Tendon
- 4 Dowel and screw

The mounting bracket made of galvanized steel is perforated for wall mounting.

Fig. 1: Mounting bracket

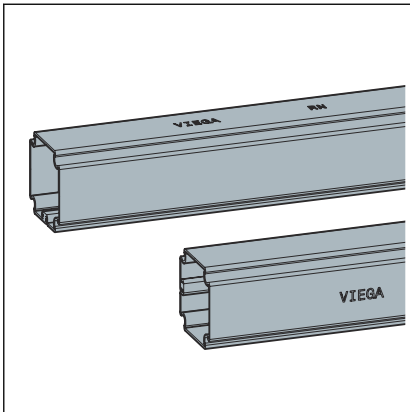
2.2.2 Compatible components

Mounting rails



The mounting rail made of galvanised steel is 5 m long, open on one side and perforated every 30 cm for wall and floor mounting.

Fig. 2: Mounting rail, open on one side, Model 8401



The mounting rail made of galvanized steel is 5 m long.

Fig. 3: Mounting rail, closed, model 8402

3 Handling

3.1 Assembly information

3.1.1 Installation dimensions

The mounting bracket allows an installation depth of 40-300 mm.

The minimum installation depth is 40 mm for a pre-wall construction with a mounting rail.

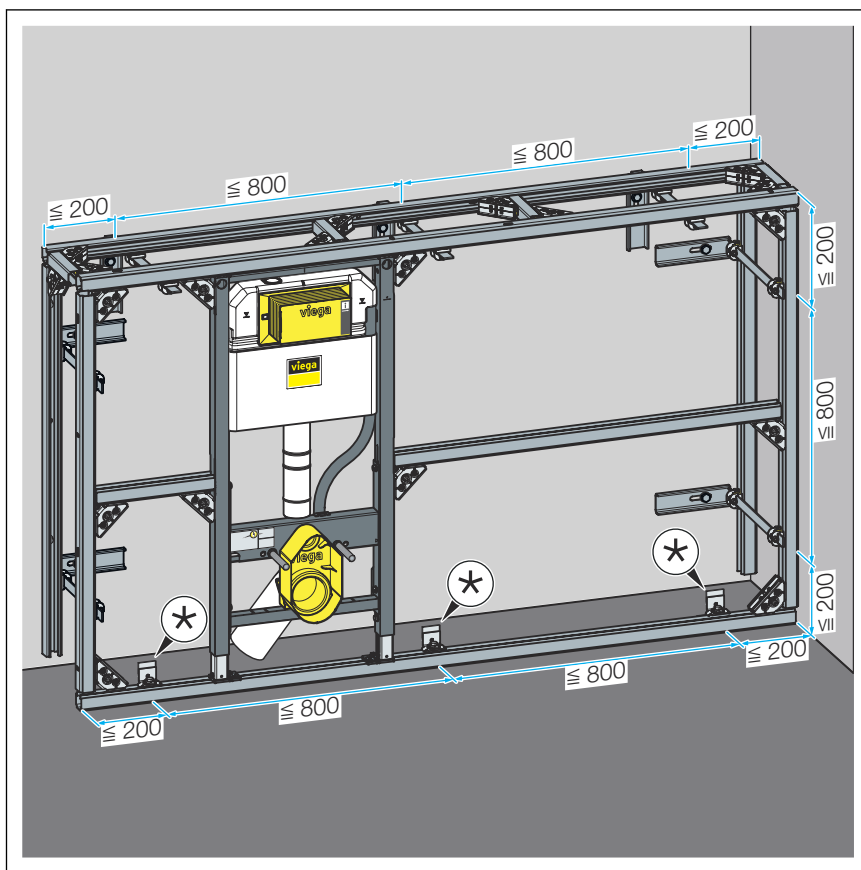


Fig. 4: Fixing distances

* Prevista Dry Plus mounting bracket (model 8415)



NOTICE!

The mounting bracket is not suitable for floor mounting. For floor mounting use model 8415.

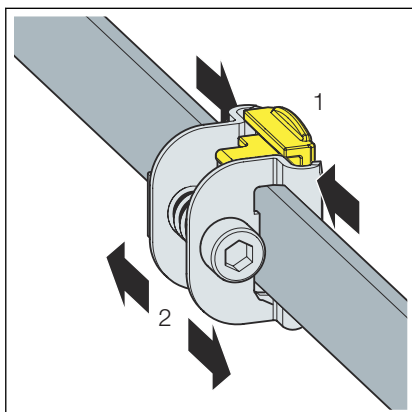
3.1.2 Required material and tools

To shorten protruding lengths at an installation depth < 300 mm, a hacksaw, angle grinder with cutting disc or similar tool is required.

3.2 Assembly

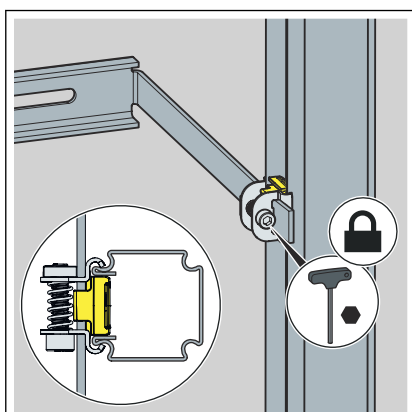
3.2.1 Mounting the mounting angle

Mounting on a rail

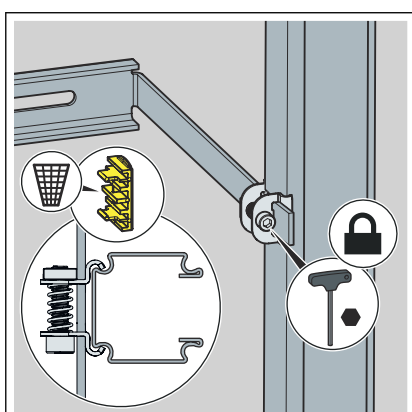


INFO! Remove the tendon that is not needed.

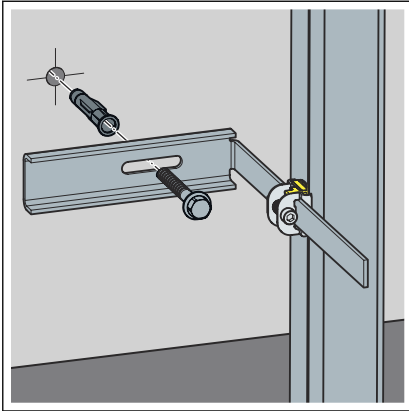
- If necessary, slightly compress and move the tendon.



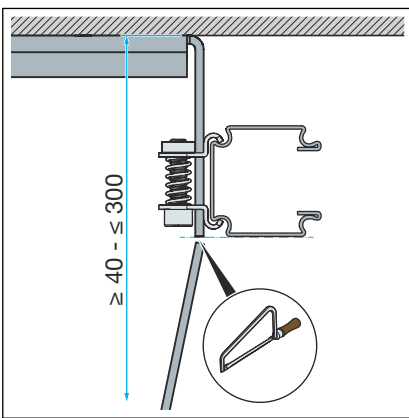
- On the open side of the mounting rail, press the tendon onto the rail.
- Adjust the distance to the wall.
- Tighten the tendon (SW 5).



- On the closed side of the mounting rail, remove the plug-in piece of the mounting angle.
- Press the tendon onto the rail.
- Adjust the distance to the wall.
- Tighten the tendon (SW 5).

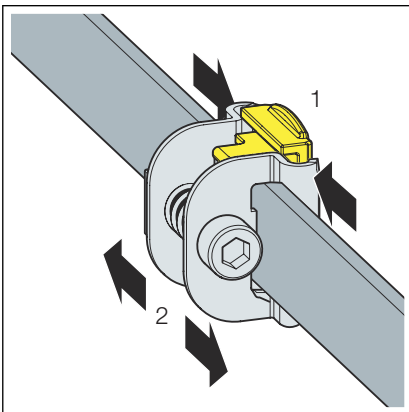


► Attach the mounting angle to the wall.

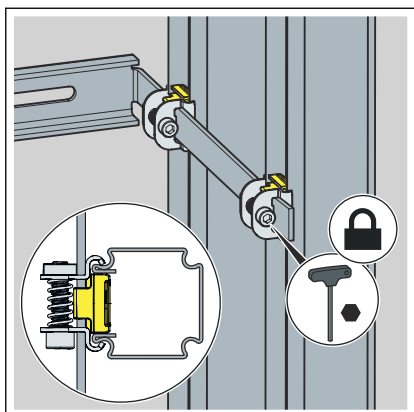


► Cut the protruding part of the mounting angle to length.

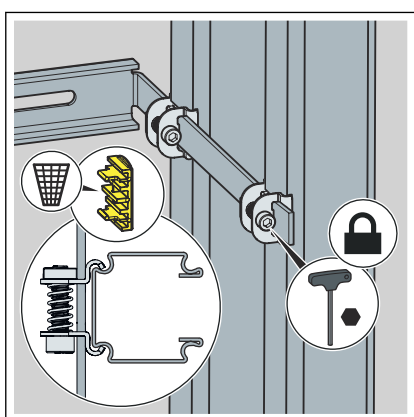
Mounting on two rails



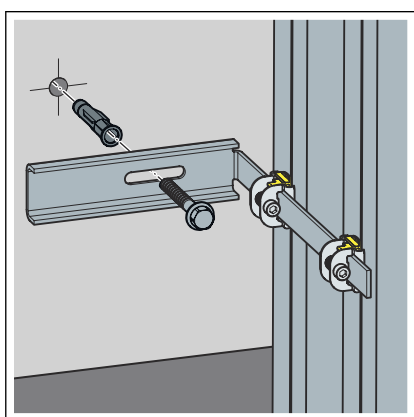
► If necessary, slightly compress and move the tendons.



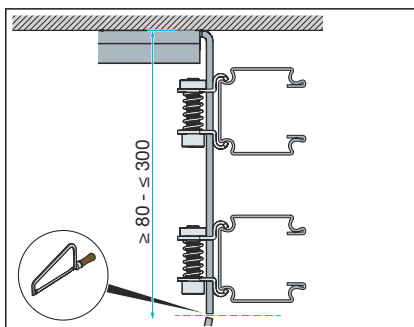
- On the open side of the mounting rail, press the tendons onto the rails.
- Adjust the distance to the wall.
- Tighten the tendons (SW 5).



- On the closed side of the mounting rails, remove the insertion pieces of the mounting bracket.
- Press the tendons onto the rails.
- Adjust the distance to the wall.
- Tighten the tendons (SW 5).



- Attach the mounting angle to the wall.



- Cut the protruding part of the mounting angle to length.

3.3 Disposal

Separate the product and packaging materials (e. g. paper, metal, plastic or non-ferrous metals) and dispose of in accordance with valid national legal requirements.



Viega GmbH & Co. KG
service-technik@viega.de
viega.com

INT • 2022-08 • VPN200443

