

Instructions for Use

Prevista Dry Plus urinal module BH 1120-1300



for urinal flush plates for Prevista (manual and touchless flush actuation), for universal water connection

Model
8561

Year built (from)
11/2022

viega

Table of contents

1	About these instructions for use	3
	1.1 Target groups	3
	1.2 Labelling of notes	3
	1.3 About this translated version	4
2	Product information	5
	2.1 Standards and regulations	5
	2.2 Intended use	5
	2.2.1 Areas of application	5
	2.3 Product description	6
	2.3.1 Overview	6
	2.3.2 Compatible components	6
	2.3.3 Technical data	6
3	Handling	7
	3.1 Assembly information	7
	3.1.1 Mounting conditions	7
	3.1.2 Installation dimensions	7
	3.2 Assembly	8
	3.2.1 Mounting module	8
	3.2.2 Mounting the water connection	11
	3.2.3 Setting up and cladding the module	13
	3.3 Disposal	14

1 About these instructions for use

Trade mark rights exist for this document; for further information, go to viega.com/legal.

1.1 Target groups

The information in this instruction manual is directed at the following groups of people:

- Heating and plumbing experts and trained personnel
- Drywall builders

Individuals without the abovementioned training or qualification are not permitted to mount, install and, if required, maintain this product. This restriction does not extend to possible operating instructions.

The installation of Viega products must take place in accordance with the general rules of engineering and the Viega instructions for use.

1.2 Labelling of notes

Warning and advisory texts are set aside from the remainder of the text and are labelled with the relevant pictographs.



DANGER!

This symbol warns of possible life-threatening injury.



WARNING!

This symbol warns of possible serious injury.



CAUTION!

This symbol warns of possible injury.



NOTICE!

This symbol warns of possible damage to property.



This symbol gives additional information and hints.

1.3 About this translated version

This instruction for use contains important information about the choice of product or system, assembly and commissioning as well as intended use and, if required, maintenance measures. The information about the products, their properties and application technology are based on the current standards in Europe (e.g. EN) and/or in Germany (e.g. DIN/DVGW).

Some passages in the text may refer to technical codes in Europe/Germany. These should serve as recommendations in the absence of corresponding national regulations. The relevant national laws, standards, regulations, directives and other technical provisions take priority over the German/European directives specified in this manual: The information herein is not binding for other countries and regions; as said above, they should be understood as a recommendation.

2 Product information

2.1 Standards and regulations

The following standards and regulations apply to Germany / Europe and are provided as a support feature.

Regulations from section: Fields of application / Mounting conditions

Scope / Notice	Regulations applicable in Germany
Suitable stud frames	DIN 18183

2.2 Intended use

2.2.1 Areas of application

The Prevista Dry Plus urinal module is designed for mounting in a Prevista Dry Plus pre-wall construction.

2.3 Product description

2.3.1 Overview

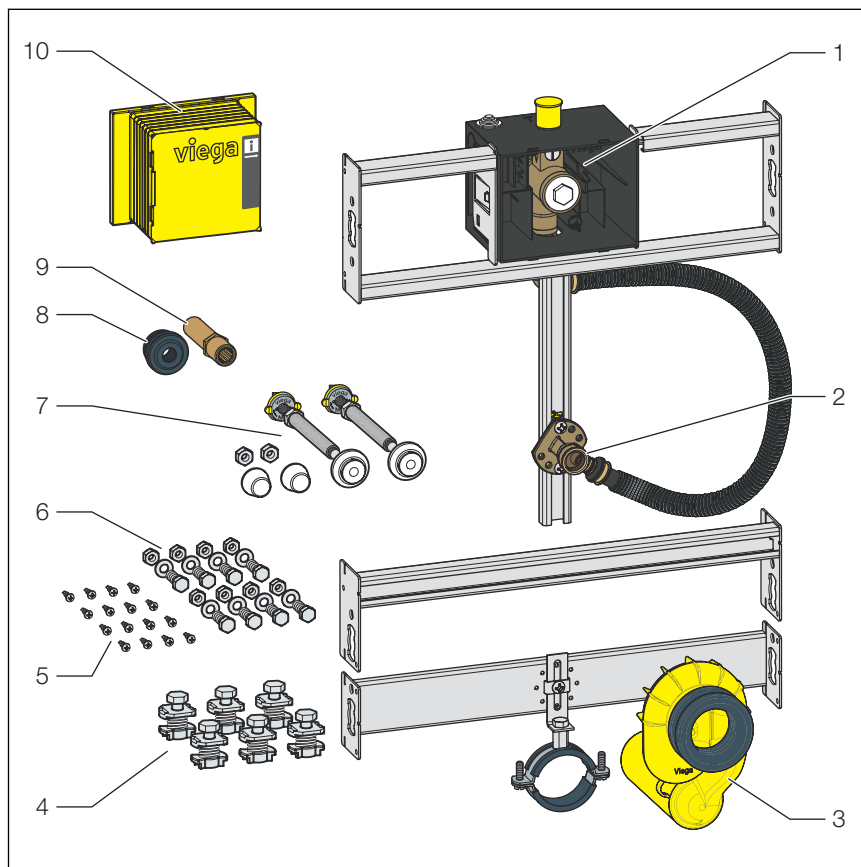


Fig. 1: Components and scope of delivery

- 1 Urinal water pipe section
- 2 wall plate
- 3 Suction moulded piece
- 4 Slot nuts
- 5 Screws for fixing in stud frame
- 6 Screws for fixing in stud frame
- 7 Sanitary object fixing
- 8 Seal
- 9 Plug-in piece
- 10 Inspection shaft

2.3.2 Compatible components

The urinal module is compatible with all common urinal ceramics, even with spray head.

2.3.3 Technical data

Waste elbow	DN50
Fitting connection	Rp ½

3 Handling

3.1 Assembly information

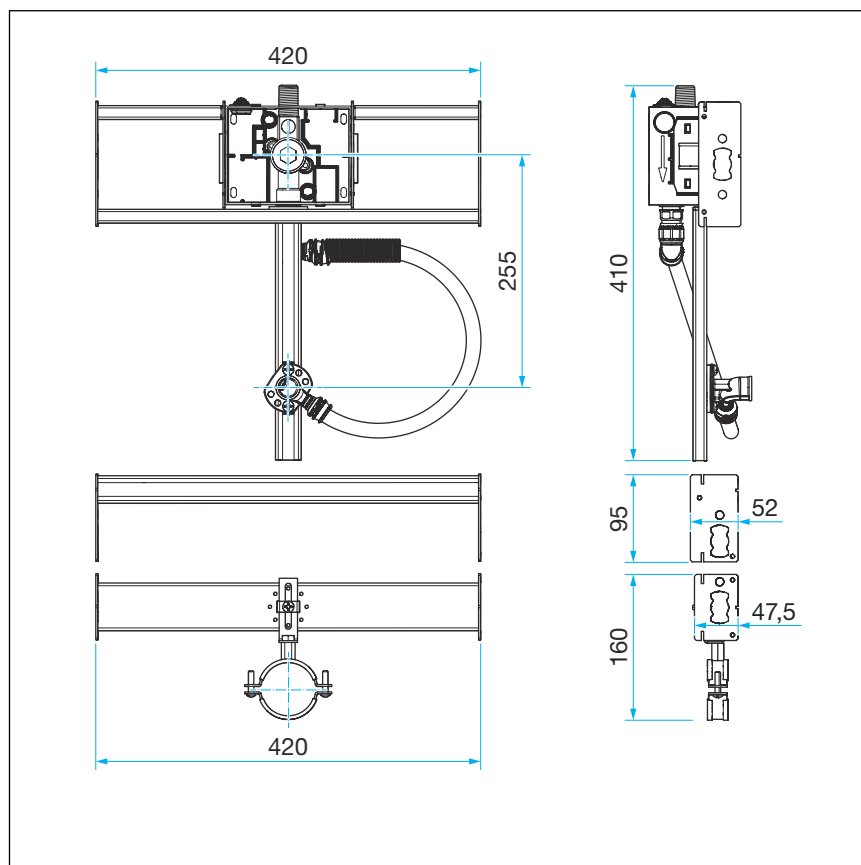
3.1.1 Mounting conditions

Suitable walls

- Metal stud frames
- Prevista Dry Plus pre-wall constructions

The wall constructions must comply with the regulations in section
 ↗ *'Regulations from section: Fields of application / Mounting conditions'*
 on page 5.

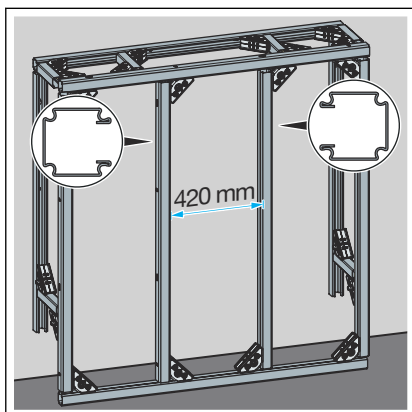
3.1.2 Installation dimensions



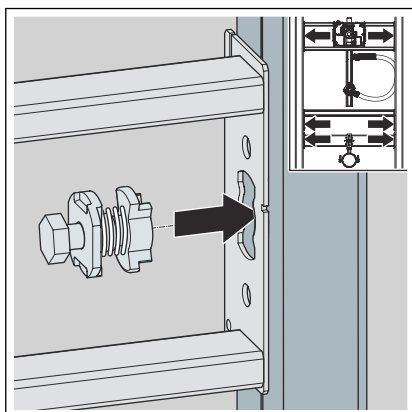
3.2 Assembly

3.2.1 Mounting module

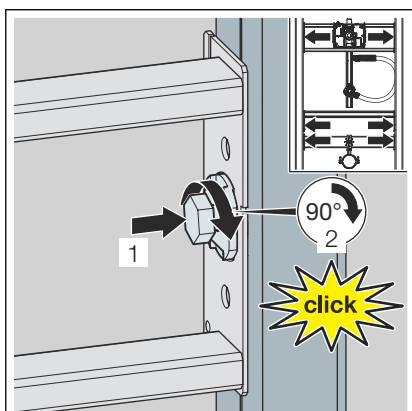
Mounting in Prevista Dry Plus



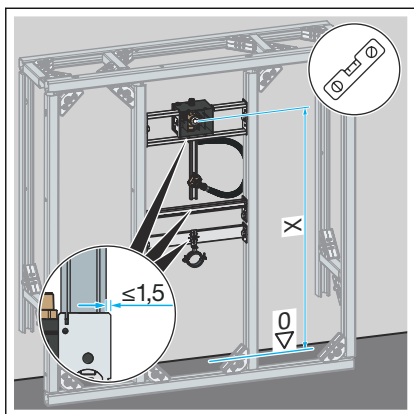
The two vertical rails, which surround the module, must be open towards the module and have an inner distance of 420 mm.



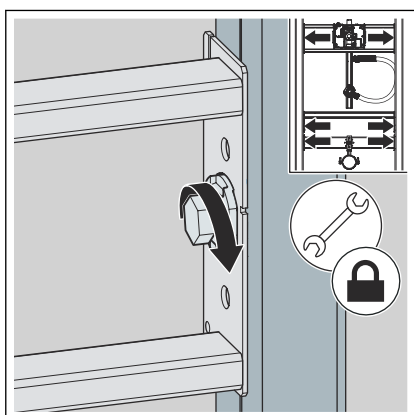
- Secure the module onto the open mounting rail with the slot nuts supplied:
- Insert the slot nuts into the opening of the module.



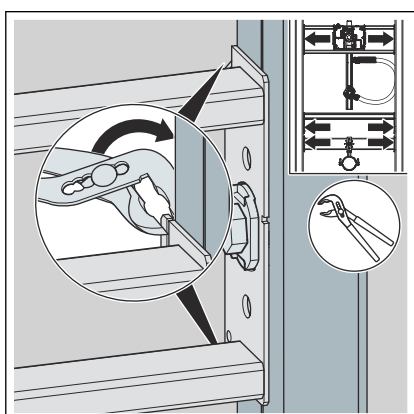
- Push the slot nuts in until they engage.



► Align the urinal module.

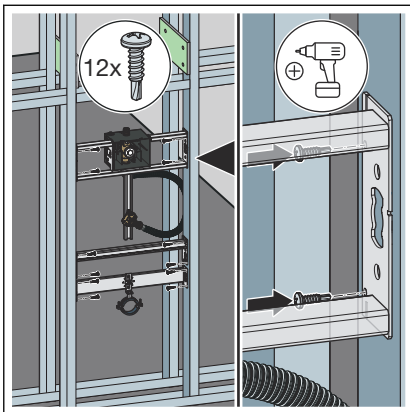


► Fasten the slot nuts.



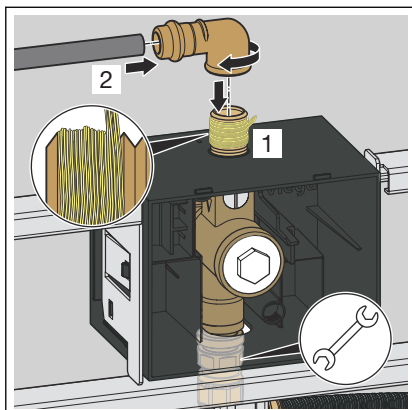
► Bend the sides of the metal bars of all rails.

Mounting in steel stud frame

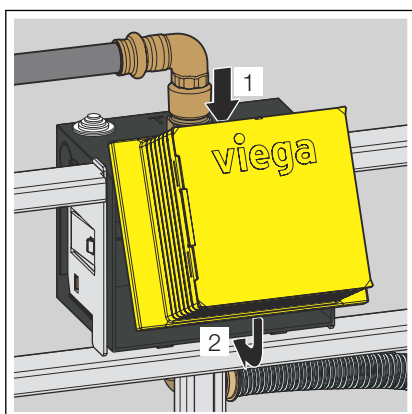


- Attach the module to the stud frame using the supplied screws.

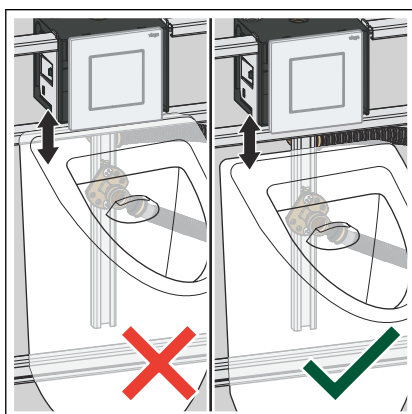
3.2.2 Mounting the water connection



- Seal the connection end of the urinal water path.
 - Screw the threaded end of the adapter elbow and the connection end of the urinal water path.
- Hold in place with a fork spanner on the underside of the urinal water path.
- Insert the water inlet into the transition angle.
 - Press the connection.

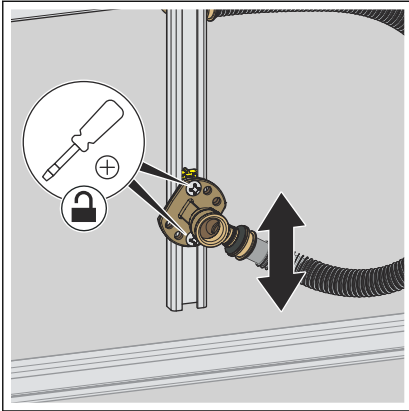


- Mount the inspection shaft.



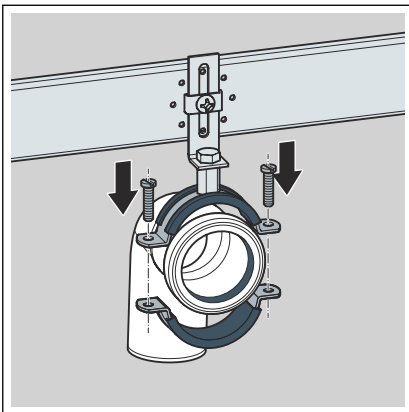
- Determine the height of the wall plate.

INFO! Observe the dimensions of the urinal flush plate and the ceramic.

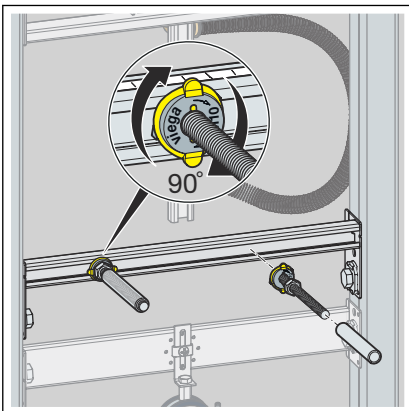


- Loosen the screws on the wall plate, but do not unscrew them.
- Adjust the height of the wall plate.
- Tighten the screws on the wall plate again.

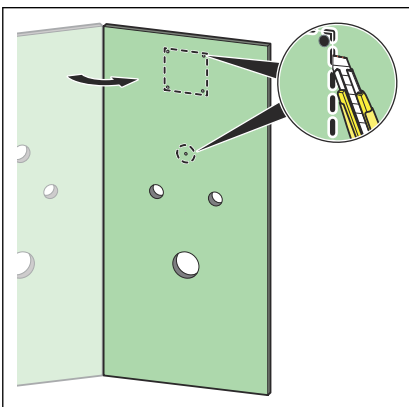
3.2.3 Setting up and cladding the module



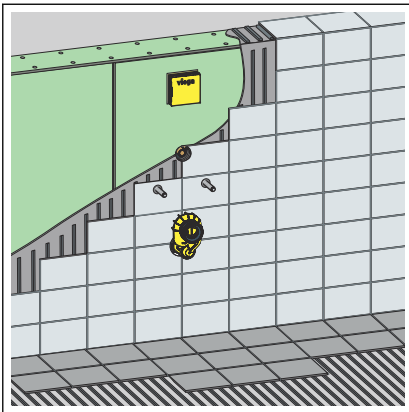
- Mount a drain elbow.



- Turn in the threaded rods by hand.
- Tighten the nuts of the threaded rods with a fork spanner.
- Place the protective caps on the threaded rods.
- Make the water connections.



- Cut out the recesses for the drain elbow and the threaded rods.
- Cut the plasterboard cladding panel to size.



- Clad the module with suitable plasterboard cladding panels.

3.3 Disposal

Separate the product and packaging materials (e. g. paper, metal, plastic or non-ferrous metals) and dispose of in accordance with valid national legal requirements.



Viega GmbH & Co. KG
service-technik@viega.de
viega.com

INT • 2023-10 • VPN230291

