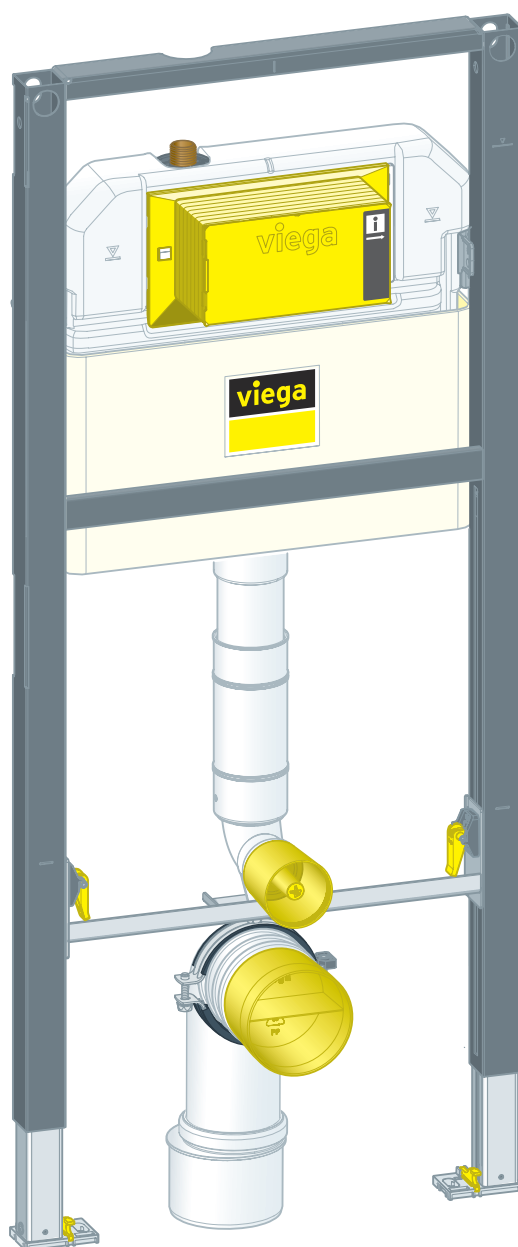


Instructions for Use

Prevista Dry WC element floor-standing WC or children's WC



for WC flush plates for Prevista

Model
8522.33

Year built (from)
03/2019

viega

Table of contents

1	About these instructions for use	3
	1.1 Target groups	3
	1.2 Labelling of notes	3
	1.3 About this translated version	4
2	Product information	5
	2.1 Standards and regulations	5
	2.2 Intended use	5
	2.2.1 Areas of application	5
	2.3 Product description	6
	2.3.1 Overview	6
	2.3.2 Compatible components	6
	2.3.3 Technical data	7
	2.4 Accessories	8
3	Handling	9
	3.1 Assembly information	9
	3.1.1 Mounting conditions	9
	3.1.2 Installation dimensions	10
	3.2 Assembly	11
	3.2.1 Shortening the element (optional)	11
	3.2.2 Mounting WC element	14
	3.2.3 Connecting concealed cistern	20
	3.2.4 Mounting the drain elbow	23
	3.2.5 Set and clad the WC element	25
	3.2.6 Setting the flush volume	25
	3.3 Cleaning and maintenance	28
	3.4 Disposal	28

1 About these instructions for use

Trade mark rights exist for this document; for further information, go to viega.com/legal.

1.1 Target groups

The information in this instruction manual is directed at the following groups of people:

- Heating and plumbing experts and trained personnel
- Drywall builders

Individuals without the abovementioned training or qualification are not permitted to mount, install and, if required, maintain this product. This restriction does not extend to possible operating instructions.

The installation of Viega products must take place in accordance with the general rules of engineering and the Viega instructions for use.

1.2 Labelling of notes

Warning and advisory texts are set aside from the remainder of the text and are labelled with the relevant pictographs.



DANGER!

This symbol warns of possible life-threatening injury.



WARNING!

This symbol warns of possible serious injury.



CAUTION!

This symbol warns of possible injury.



NOTICE!

This symbol warns of possible damage to property.



This symbol gives additional information and hints.

1.3 About this translated version

This instruction for use contains important information about the choice of product or system, assembly and commissioning as well as intended use and, if required, maintenance measures. The information about the products, their properties and application technology are based on the current standards in Europe (e.g. EN) and/or in Germany (e.g. DIN/DVGW).

Some passages in the text may refer to technical codes in Europe/Germany. These should serve as recommendations in the absence of corresponding national regulations. The relevant national laws, standards, regulations, directives and other technical provisions take priority over the German/European directives specified in this manual: The information herein is not binding for other countries and regions; as said above, they should be understood as a recommendation.

2 Product information

2.1 Standards and regulations

The following standards and regulations apply to Germany / Europe and are provided as a support feature.

Regulations from section: Fields of application / Mounting conditions

Scope / Notice	Regulations applicable in Germany
Suitable masonry walls	EN 1996-1-1
Suitable concrete walls	DIN 1045
Suitable stud frames	DIN 18183

2.2 Intended use

2.2.1 Areas of application

The Prevista Dry WC element is suitable for mounting on masonry wall constructions and stud frames pursuant to the regulations in section ↪ *Chapter 2.1 'Standards and regulations' on page 5* and can be used in a Prevista Dry Plus pre-wall construction.

2.3 Product description

2.3.1 Overview

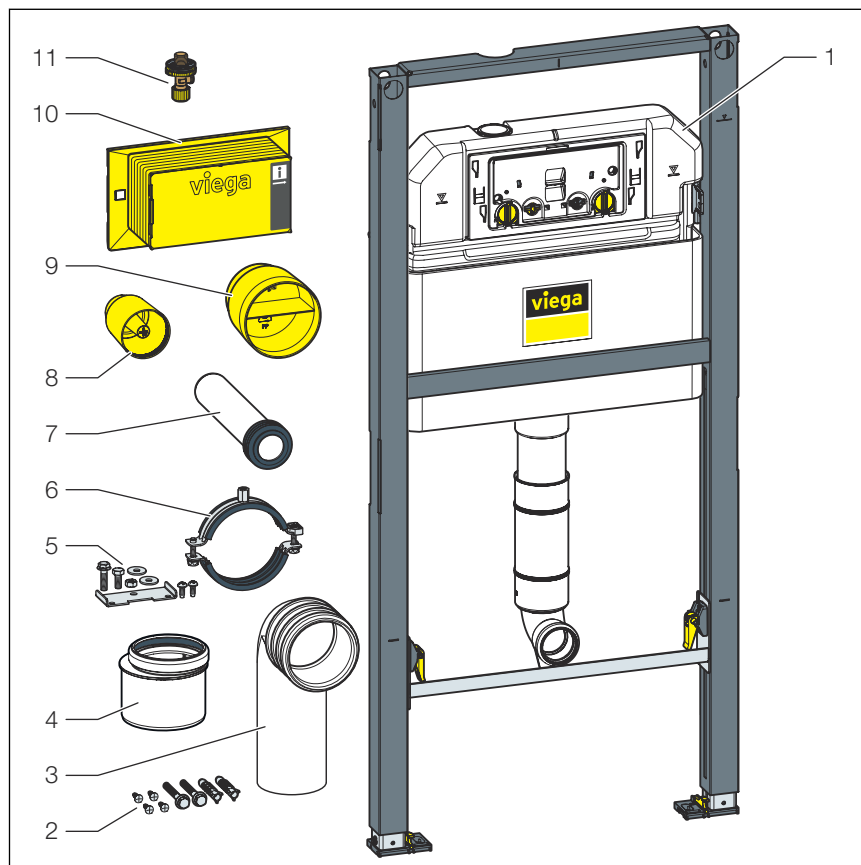


Fig. 1: Components

- 1 3H concealed cistern
- 2 Fixing material
- 3 Waste elbow
- 4 Reducer
- 5 Retaining plate with fixing material
- 6 pipe clamp
- 7 Flushing pipe
- 8 Protective plug for drain elbow DN90
- 9 Protective plug for flushing pipe elbow
- 10 Inspection shaft cover
- 11 Corner valve

2.3.2 Compatible components

The WC element is compatible with all common WC ceramics, even with larger projection (barrier-free).

The WC element can be extended by the following compatible components:

- Prevista Dry fixing element
- Prevista Dry fixing set model 8570.36

- Prevista Dry fixing set model 8573
- Prevista Dry Plus fixing set model 8570.49
- Accessory set electronic model 8655.11

- Mount the components in accordance with the respective instructions for use.

Fixing element

The fixing element is suitable for barrier-free installation. Support and grab rails can be mounted on the fastening element.

2.3.3 Technical data

Flush volume

Small flush volume	Factory setting	Approx. 3 l
	Setting range	Approx. 2–4 l
Large flush volume	Factory setting	Approx. 6 l
	Setting range	Approx. 3.5–7.5 l

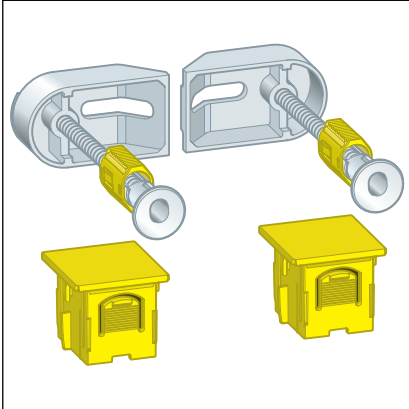
Water pressure

Water pressure min.	15 kPa (0.15 bar)
Water pressure max.	1000 kPa (10 bar)

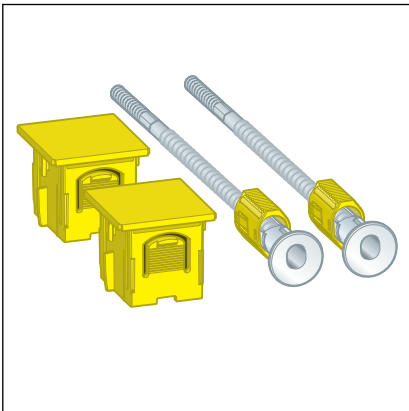
2.4 Accessories

For mounting, Viega recommends to use the Prevista Dry fixing set.

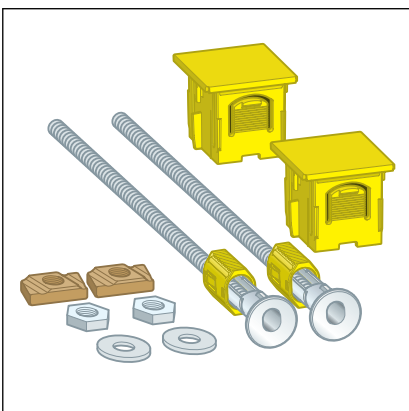
Prevista Dry fixing set model 8570.36 for fixing the Prevista Dry elements in single / line mounting, single mounting directly onto the installation body or corner mounting on masonry or steel stud frame.



Prevista Dry fixing set model 8573 for single mounting of Prevista Dry elements to the solid wall.



Prevista Dry Plus fixing set model 8570.49 for single mounting of the Prevista Dry elements in Prevista Dry Plus.



3 Handling

3.1 Assembly information

3.1.1 Mounting conditions

Suitable walls

- Masonry walls
- Concrete walls
- Metal stud frames
- Prevista Dry Plus pre-wall constructions

The wall constructions must comply with the regulations in section [Chapter 2.1 'Standards and regulations'](#) on page 5.

The WC element may only be mounted on even wall surfaces.

Construction height

With the construction height, the marked height of the upper edge of the finished floor must be observed.

WC ceramic

The WC element is suitable for floor-standing WCs, baby WCs and WCs for children.

Water connection

The WC element has an R ½ inch water connection.



NOTICE!

Always use the newly delivered hose set for the water connection. Do not use old hose sets.

The WC element can be extended by a remote flush actuation or by an electronic actuation, as well as by sensitive flush plates. The cables for these electrical actuation versions must be laid before cladding.

The corresponding conduit pipe is required when preparing the remote flush actuation.

3.1.2 Installation dimensions

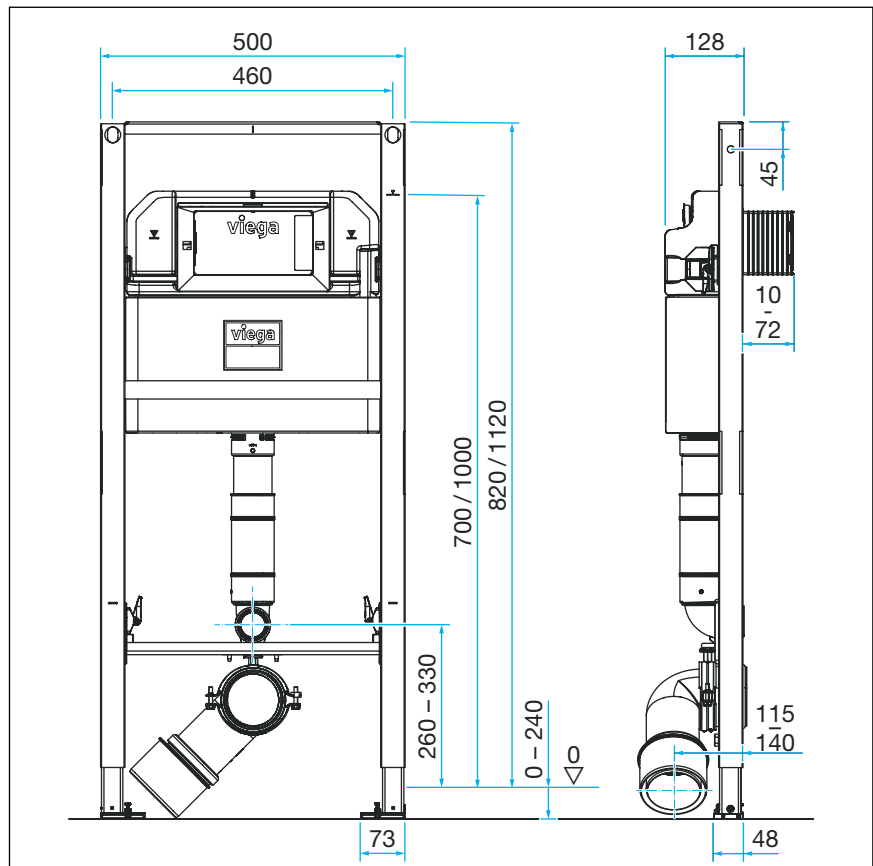


Fig. 2: Dimensional drawing

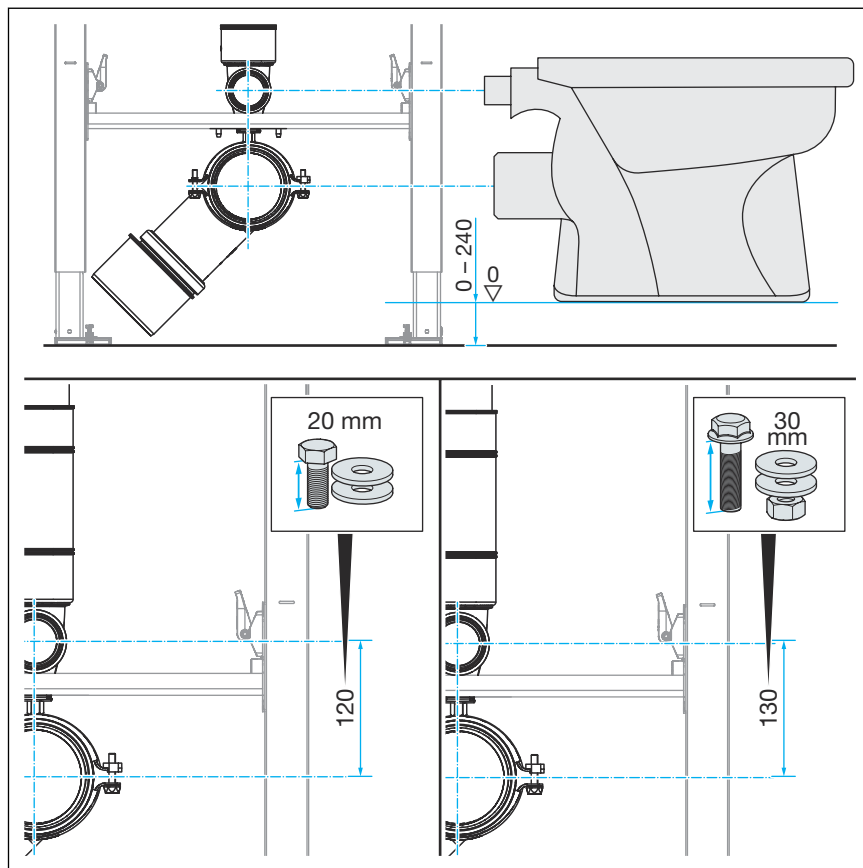
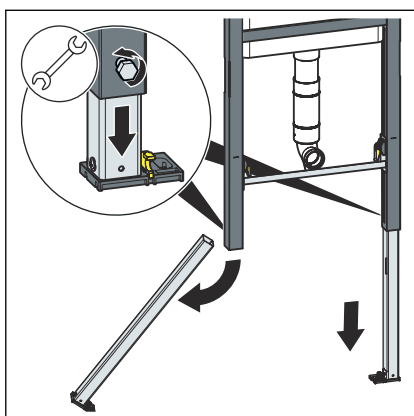


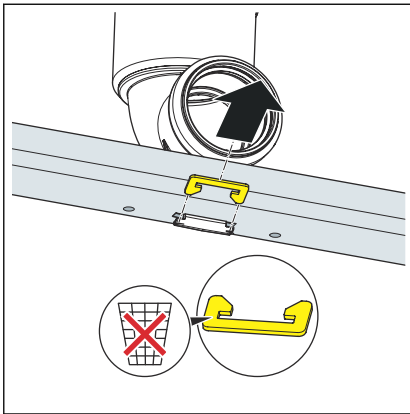
Fig. 3: Dimensions of variable drain height

3.2 Assembly

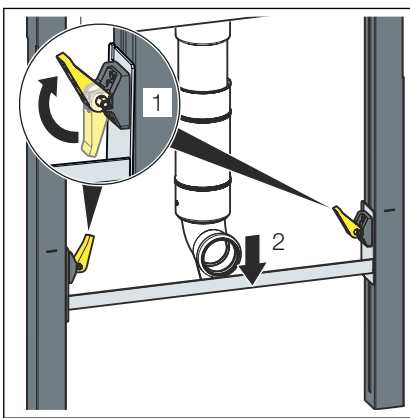
3.2.1 Shortening the element (optional)



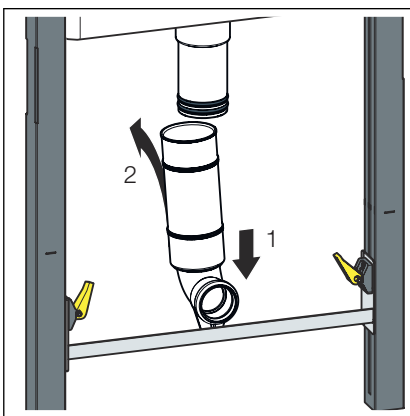
► Pull the feet out of the element.



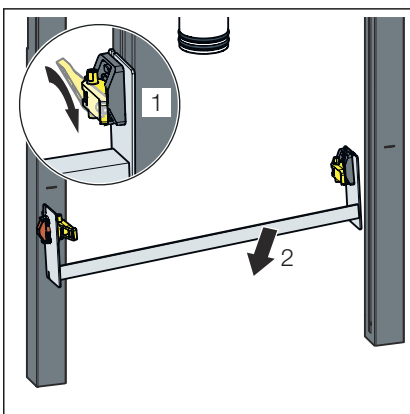
- Loosen the clip on the module.
- Keep the clip for later use.



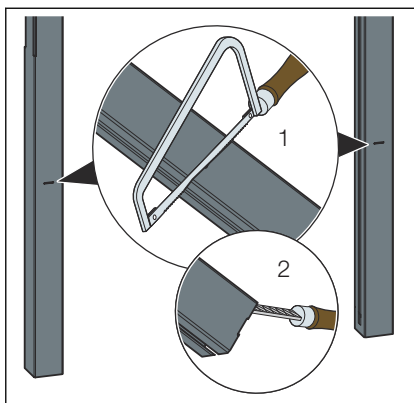
- Open the quick-action fasteners.
- Push crossbeam downwards.



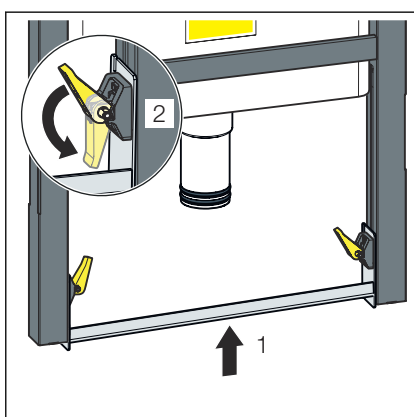
- Pull the flushing pipe off of the cistern.



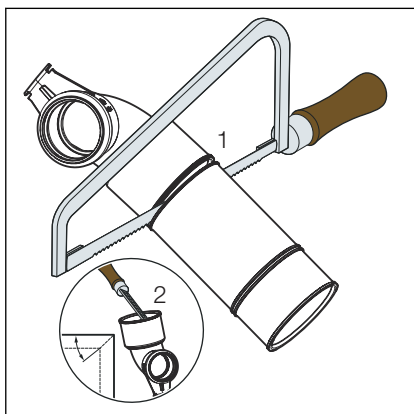
- Pull the crossbeam out of the element.



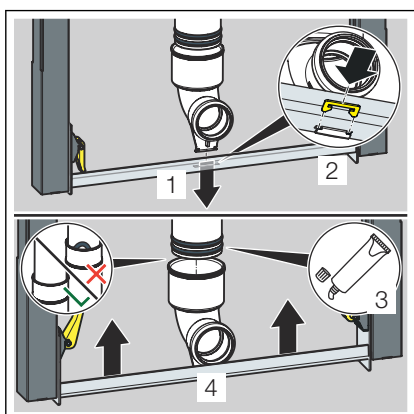
► Use a hacksaw to shorten the element at the markings.



► Push the crossbeam back in.



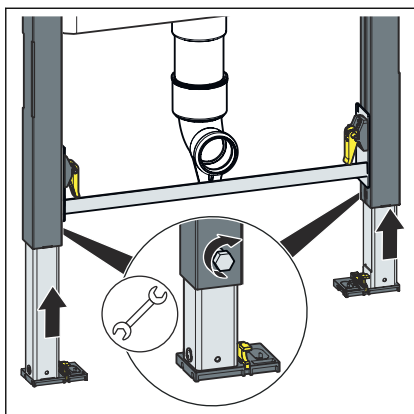
► Shorten the flushing pipe.



► Fasten the flushing pipe elbow to the module with the clip.

► Insert the flushing pipe elbow into the cistern.

NOTICE! Make sure that the seal is correctly seated.



INFO! Make sure the feet are correctly seated.

► Push the feet into the element.

3.2.2 Mounting WC element



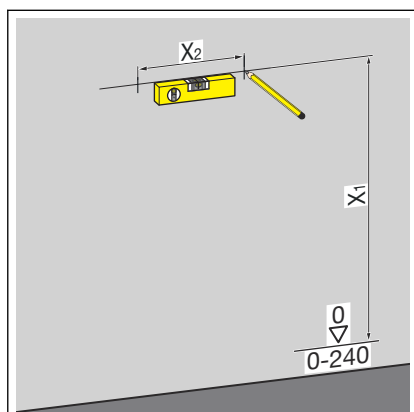
Masonry and concrete walls

When mounting multiple WC elements with an interval of > 500 mm, Viegia recommends the use of a Prevista Dry support bracket (model 8570.48). Observe the instructions for use of the support bracket when mounting.

Mounting to a masonry or concrete wall

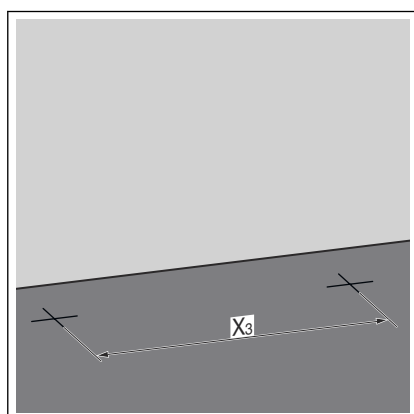


For mounting, Viega recommends to use a Prevista Dry fixing set.



- Determine and mark the fixing points.

- X1: 1100 mm
- X2: Depending on the fixing set used

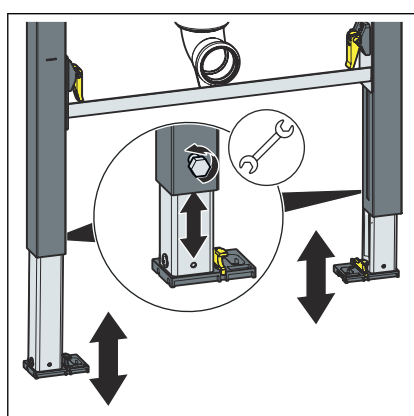


- Determine and mark the fixing points on the floor.

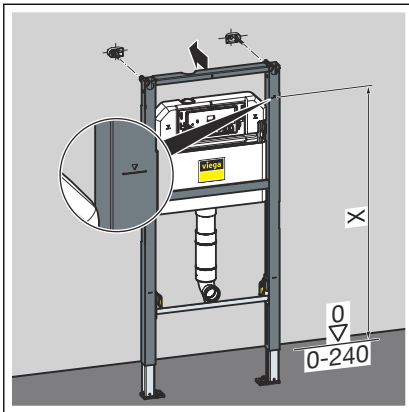
- X3: 375 mm

- Drill the holes.
- Insert the dowels.

INFO! Mount the Prevista Dry fixing set pursuant to the instructions for use for the fixing set.



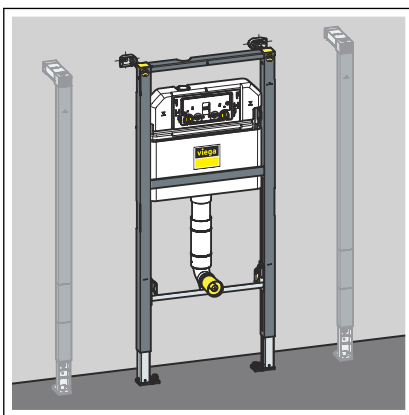
- Loosen the feet of the element using a fork spanner.



■ Adjust the construction height of the element in accordance with the on-site marking of the upper edge of the finished floor.

■ X: 1000 mm

■ Tighten the feet of the element using a fork spanner.

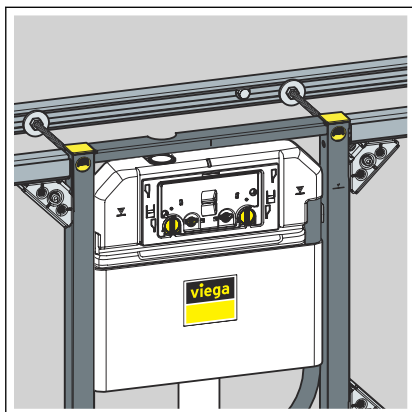


□ The element is attached to the wall.

Mounting in Prevista Dry Plus

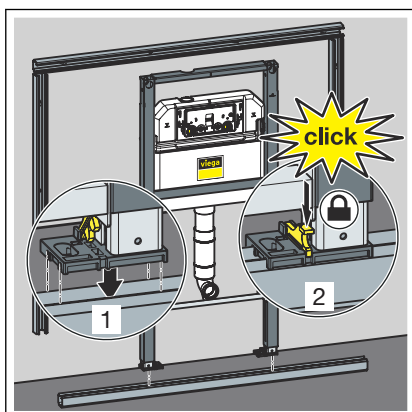


Mount the Prevista Dry Plus pre-wall construction pursuant to the instructions for use of the Prevista Dry Plus system.

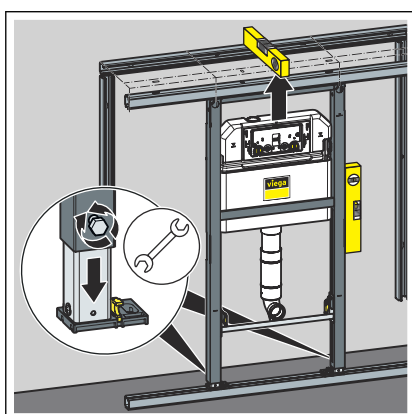


NOTICE!

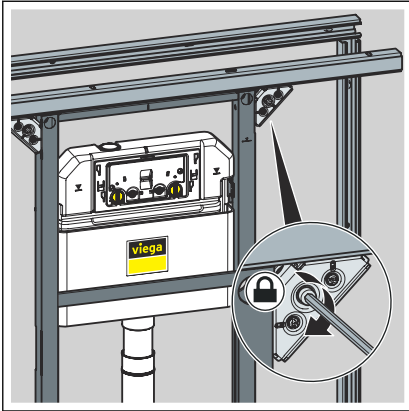
When mounting without a continuous rail above the element, the Prevista Dry Plus fixing set (model 8570.49) must also be used. See example with WC element model 8521.



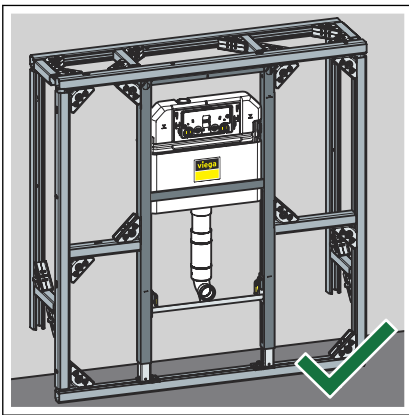
- Position the element on the floor rail.
- Fix the feet on the floor rail using the clips.



- Set the height of the element by means of the feet.

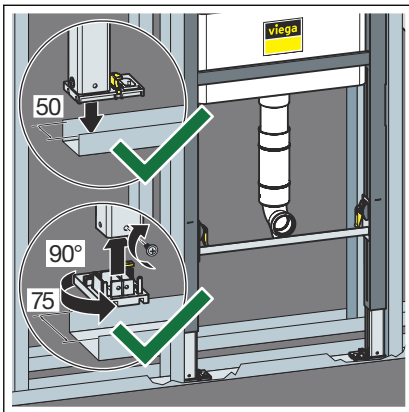


■ Fix the element with the Prevista Dry Plus rail connectors.

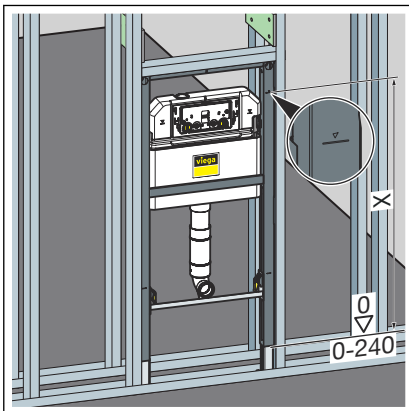


□ The WC element is fixed in the Prevista Dry Plus pre-wall construction.

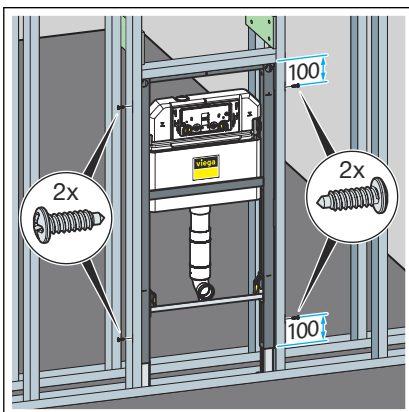
Mounting in steel stud frame



- Position the element on the floor rail.
- If necessary, adjust the foot depth from 50 mm (pre-mounted) to 75 mm.
- Loosen and pull out the foot plates.
- Turn the foot plates through 90°.
- Fix the feet.

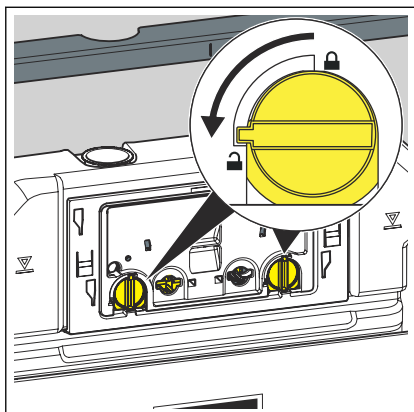


- Adjust the construction height of the element in accordance with the on-site marking of the upper edge of the finished floor.

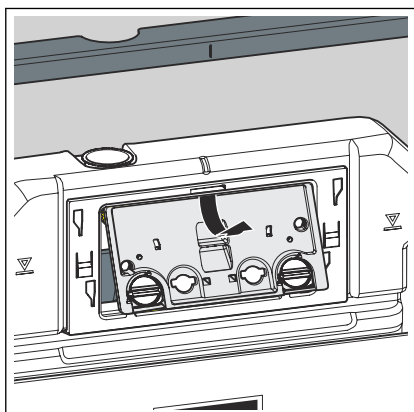


- Attach the element to the stud frame using the screws supplied.

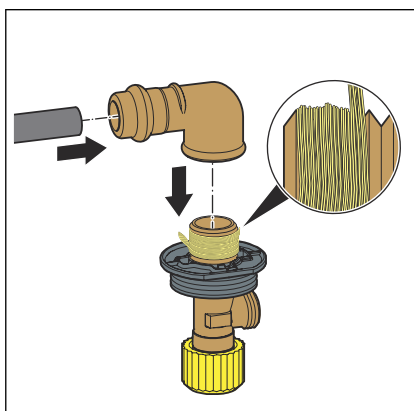
3.2.3 Connecting concealed cistern



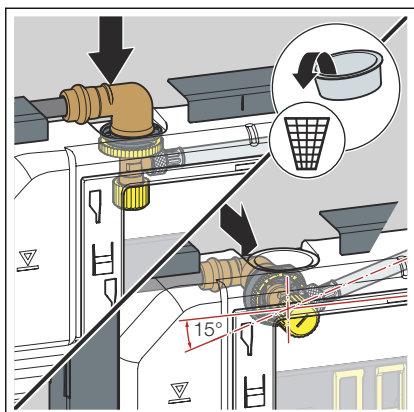
► Turn the site protection panel lock 90° anti-clockwise.



► Remove the site protection panel.

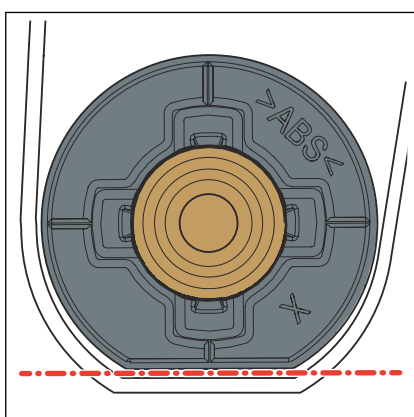


- Place the press connector onto the water inlet.
- Press the connection.
- Seal the threaded connectors of the corner valve.
- Screw the corner valve into the thread side of the press connector.

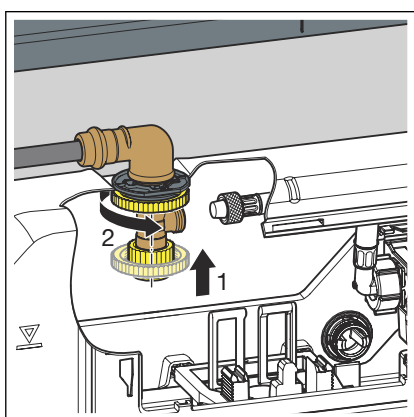


INFO! For the concealed cistern 3H, the corner valve can be attached from the top or rear.

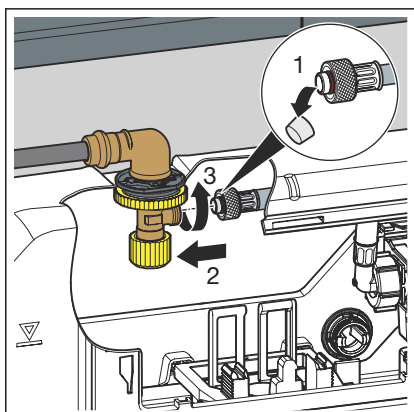
- Remove the plug.
- Insert the corner valve into the cistern.



INFO! Observe the proper fit of the corner valve.



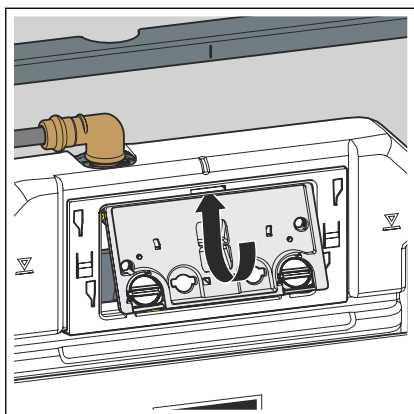
- Use the lock nut to screw the corner valve and the cistern to each other.



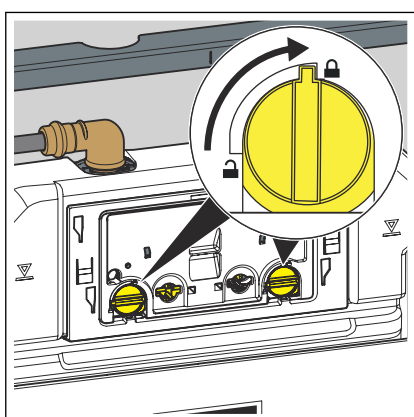
- Remove the protective cap from the flexible hose.
- Screw the flexible hose and the corner valve to each other (hand tight).

INFO! If a WC flush plate with electronic flush actuation is to be mounted, the small flush volume must be set to 2 litres.

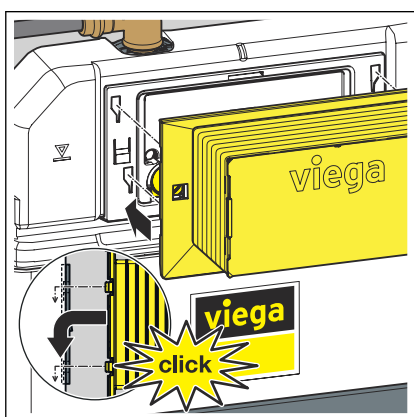
- Set the flush volume as applicable, ↗ **Chapter 3.2.6 'Setting the flush volume' on page 25.**



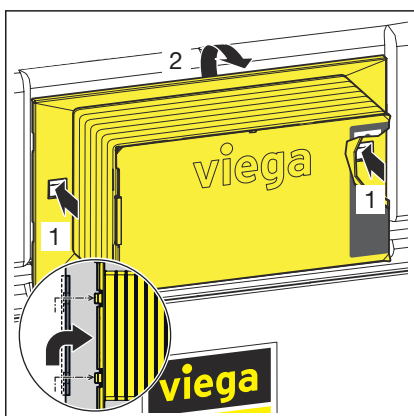
➤ Insert the site protection panel into the cistern.



➤ Turn the site protection panel's lock by 90° clockwise.



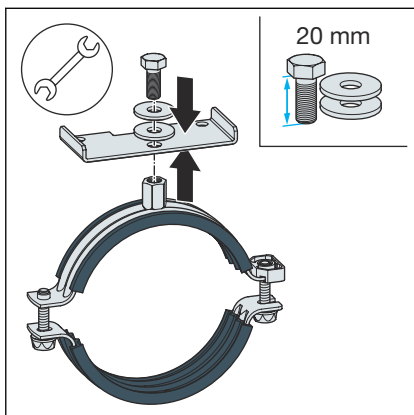
➤ Place the inspection shaft on the site protection panel.



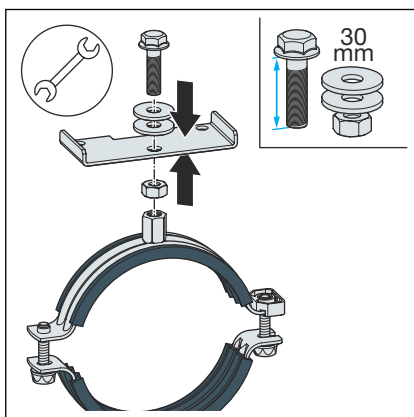
To remove the inspection shaft, press in the fixing clips at the side.

3.2.4 Mounting the drain elbow

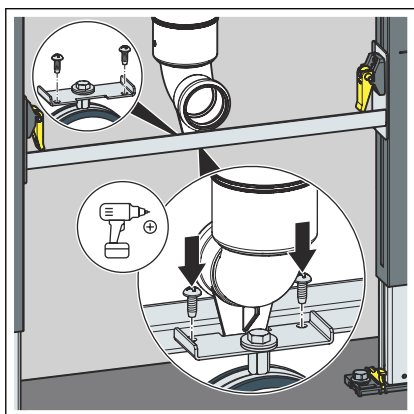
Variable drain



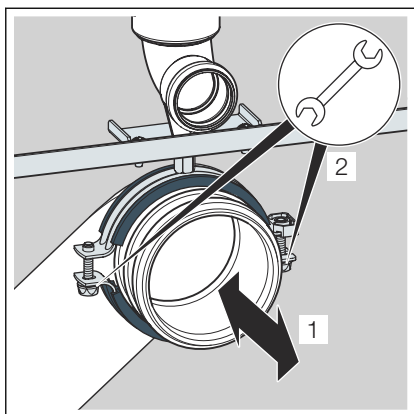
► Attach the pipe clamp to the retaining plate.



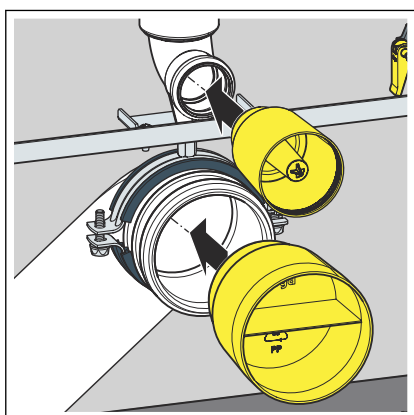
INFO! If the screw is 30 mm long, also use the lock nut.



► Attach the retaining plate to the crossbeam.

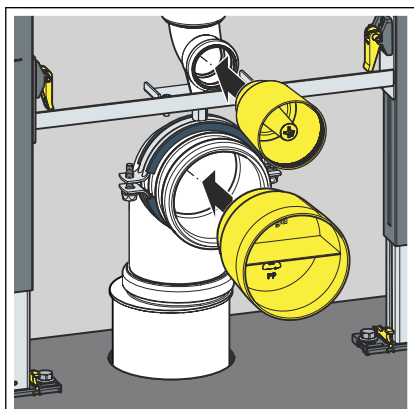


- Secure the drain elbow in the pipe clamp.



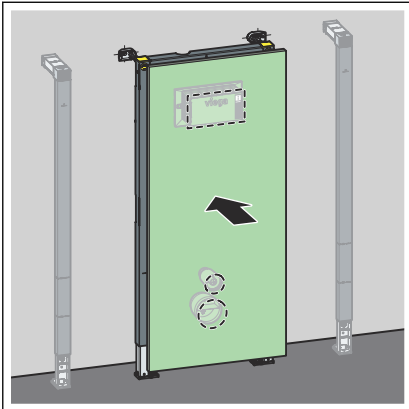
- Fit the protective plug for the flushing pipe elbow.
- Fit the protective plug for the drain elbow.

Floor drain

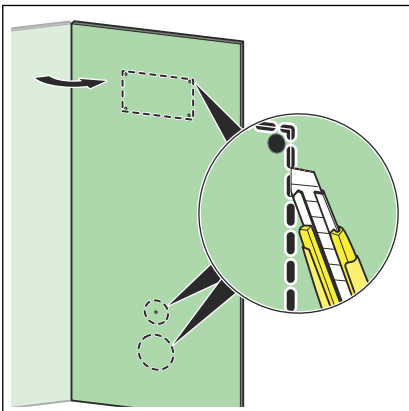


- Fit the protective plug for the flushing pipe elbow.
- Fit the protective plug for the drain elbow.

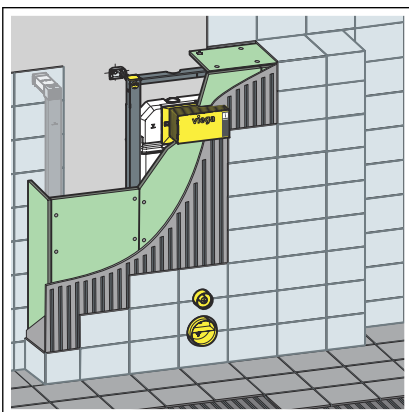
3.2.5 Set and clad the WC element



- Impress a suitable plasterboard cladding panel at the inspection shaft and at the site protection by applying gentle pressure.



- Cut out the recesses for the site protection and the inspection shaft.



- Clad the element with suitable plasterboard cladding panels.

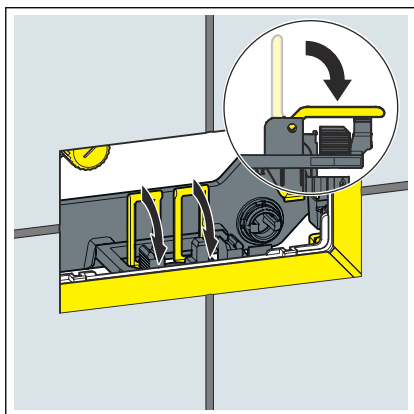
3.2.6 Setting the flush volume



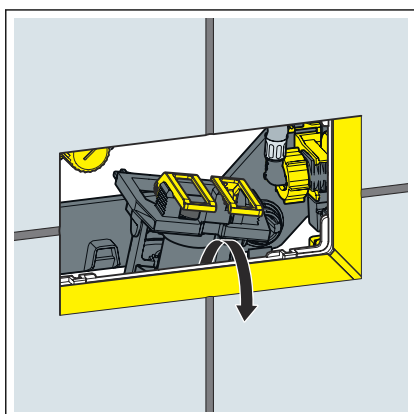
For an electronic flush actuation, the small flush volume must be set to 2 litres.

Requirements:

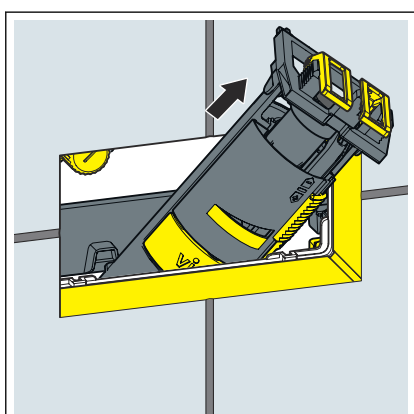
- The cistern is freely accessible.
- The water supply has been shut off.
- The ceramic has been mounted.
- Fold the tabs forward.

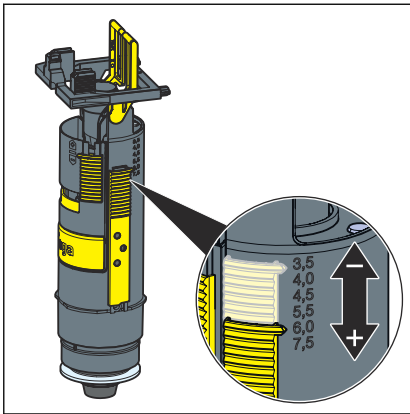


- Lift the drain valve.

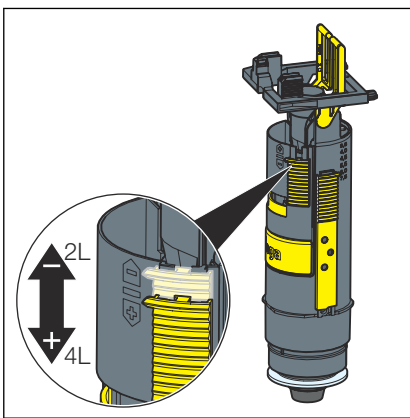


- Remove the drain valve through the revision opening.





➤ Set the large flush volume at the drain valve.

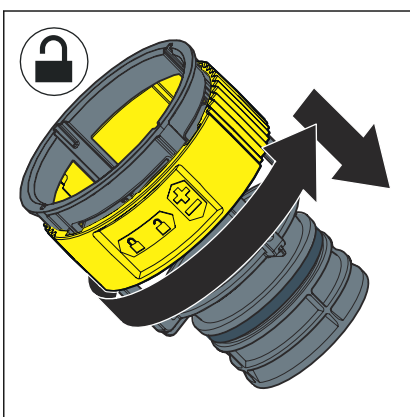


➤ Set the small flush volume at the drain valve.

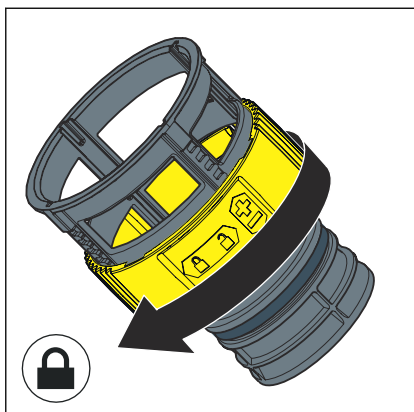
Setting the flush flow

Requirements:

- The drain valve has been dismantled.
- The flushing throttle has been removed.



- Unlock the flushing throttle.
- Set the flush flow at the throttle.



► Lock the flushing throttle.

3.3 Cleaning and maintenance

Cleaning and maintenance of the concealed cistern

The concealed cistern is constantly under mechanical, chemical, and physical stress. For this reason, the components must be cleaned as required, and the drain and filling valve seals renewed.

In areas or regions with hard water due to high concentration of calcium or magnesium salts, there is the risk of limescale deposits developing on the inlet and drain valves. The valves may have to be replaced, depending on the extent of the deposits.

3.4 Disposal

Separate the product and packaging materials (e. g. paper, metal, plastic or non-ferrous metals) and dispose of in accordance with valid national legal requirements.



Viega GmbH & Co. KG
service-technik@viega.de
viega.com

INT • 2023-05 • VPN230198

