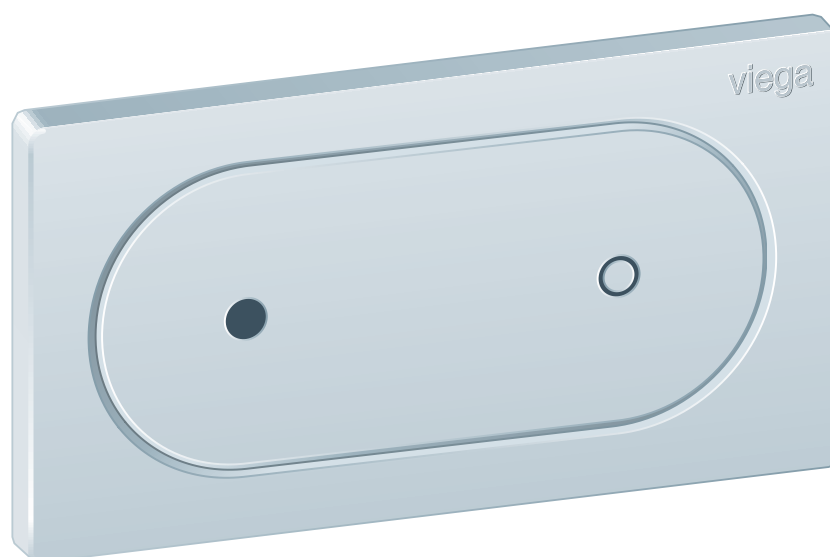


Instructions for Use

WC remote flush actuation for Prevista Visign for Style 23 electronic



for all Prevista concealed cisterns

Model
8640.1

Year built (from)
03/2019

Table of contents

1	About these instructions for use	3
	1.1 Target groups	3
	1.2 Labelling of notes	3
	1.3 About this translated version	4
2	Product information	5
	2.1 Intended use	5
	2.1.1 Areas of use	5
	2.2 General notes	5
	2.3 Product description	7
	2.3.1 Overview	7
	2.3.2 Technical data	7
	2.3.3 Connection diagram	8
	2.3.4 Operating mode	8
	2.3.5 System expansions	9
	2.4 Accessories	9
3	Handling	11
	3.1 Assembly information	11
	3.1.1 Mounting conditions	11
	3.1.2 Required material and tools	11
	3.2 Assembly	12
	3.2.1 Mounting remote flush actuation	12
	3.2.2 Connecting external sensors	17
	3.3 Commissioning	18
	3.3.1 Setting the flush	18
	3.4 Errors, faults and remedy	21
	3.5 Care and maintenance	21
	3.5.1 Care tips	21
	3.6 Disposal	22

1 About these instructions for use

Trade mark rights exist for this document; for further information, go to viega.com/legal.

1.1 Target groups

The information in this instruction manual is directed at the following groups of people:

- Heating and plumbing experts and trained personnel
- Operators
- Consumers

Individuals without the abovementioned training or qualification are not permitted to mount, install and, if required, maintain this product. This restriction does not extend to possible operating instructions.

The installation of Viega products must take place in accordance with the general rules of engineering and the Viega instructions for use.

1.2 Labelling of notes

Warning and advisory texts are set aside from the remainder of the text and are labelled with the relevant pictographs.



DANGER!

This symbol warns of possible life-threatening injury.



WARNING!

This symbol warns of possible serious injury.



CAUTION!

This symbol warns of possible injury.



NOTICE!

This symbol warns of possible damage to property.



This symbol gives additional information and hints.

1.3 About this translated version

This instruction for use contains important information about the choice of product or system, assembly and commissioning as well as intended use and, if required, maintenance measures. The information about the products, their properties and application technology are based on the current standards in Europe (e.g. EN) and/or in Germany (e.g. DIN/DVGW).

Some passages in the text may refer to technical codes in Europe/Germany. These should serve as recommendations in the absence of corresponding national regulations. The relevant national laws, standards, regulations, directives and other technical provisions take priority over the German/European directives specified in this manual: The information herein is not binding for other countries and regions; as said above, they should be understood as a recommendation.

2 Product information

2.1 Intended use

2.1.1 Areas of use

Suitable cisterns

The electronic remote flush actuation is intended for the actuation of flushes on Viega concealed cisterns.

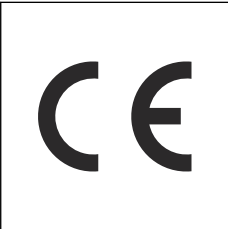

Installation is possible in all Prevista concealed cisterns.

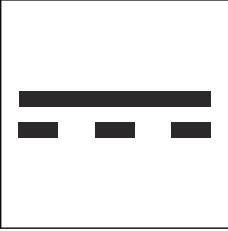
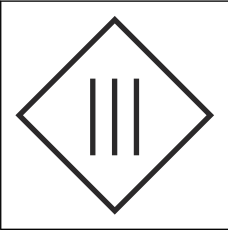
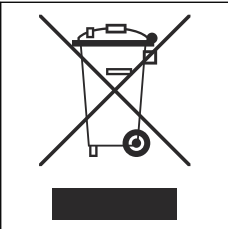
2.2 General notes

- If you notice any damage on the product or individual components, do not carry out a repair. Instead, have the product replaced by qualified personnel.
- This product is not intended for use by persons (including children) with restricted physical, sensory or mental aptitude or lack of experience and/or knowledge.
- Make sure that children do not play with this product.

Symbols

Observe the symbol listed on the label:

Symbol	Description
	CE marking, Product Safety in Europe
	EAC marking, registration of products in the territory of the Customs Union

Symbol	Description
	Direct current
	Protection class III
	The marked product must not be disposed of as household waste.

2.3 Product description

2.3.1 Overview

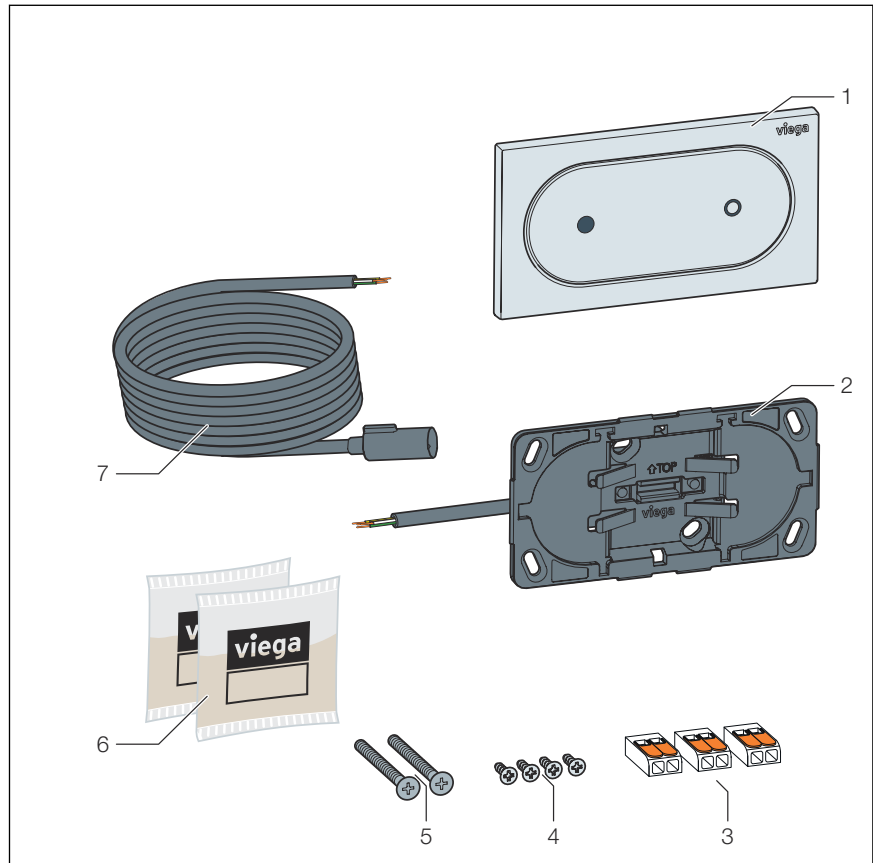


Fig. 1: Scope of delivery

- 1 flush plate
- 2 installation frame
- 3 Terminal
- 4 Fixing screws (for installation in furniture)
- 5 Fixing screws (for wall installation)
- 6 silicon grease (2 x 2 g)
- 7 Extension cable

2.3.2 Technical data

Flush volume

For the setting of the flush see [↗ Chapter 3.3.1 'Setting the flush' on page 18.](#)

Hygiene function

Hygiene flush volume	3 / 7.5 litres
Hygiene flush interval	1 / 12 / 24 / 72 / 168 hours

Voltage and current

Voltage [V]	Current [mA]
6.5	1

2.3.3 Connection diagram

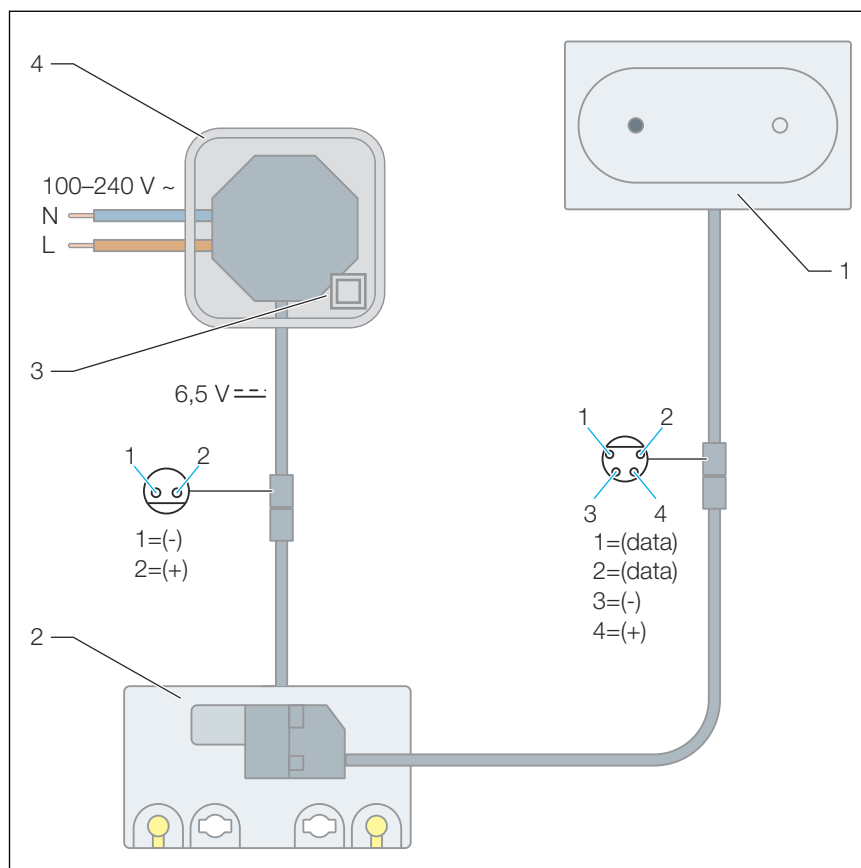


Fig. 2: Connection diagram, mains adapter, WC remote flush actuation for Prevista

- 1 WC remote flush actuation for Prevista
- 2 Electronic drive unit
- 3 Power pack
- 4 Plastic branch protection class II

2.3.4 Operating mode

Flushes from Prevista concealed cisterns are actuated electronically via the remote actuation.

Optionally, a large or small flush volume can be flushed.

Viega Hygiene function

Stagnation can lead to the build up of germs (e.g. legionella) in potable water pipelines. It is important to rinse the pipeline regularly to prevent the build up of bacteria. The Viega Hygiene function was developed for this reason.

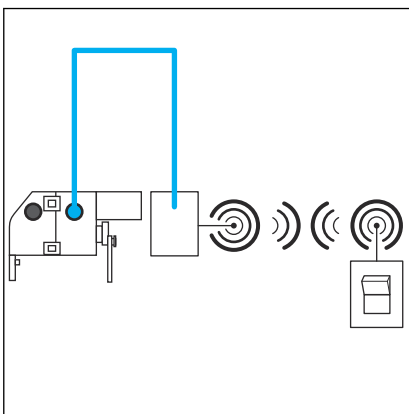
Flushes are actuated in a time-controlled manner with the Viega Hygiene function. Interval and flush volume will be set as required and saved by the control. All settings remain saved during a power cut.

The function is deactivated at the factory.

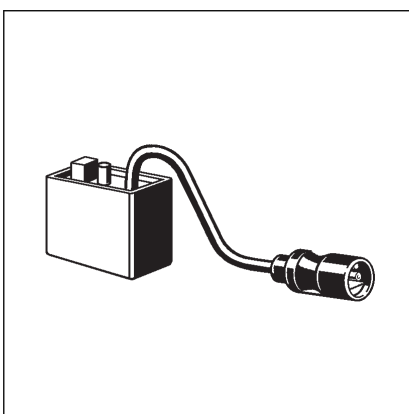
2.3.5 System expansions

The system's range of functions can be expanded through the connection of accessories onto the control.

Radio controlled actuation



You need the following accessories to connect a radio receiver instead of a cable-connected external sensor:



Signals to actuate the flush (e. g. on support hinged handles) sent by HEWI radio transmitters can be received by a radio receiver (model 8570.58).

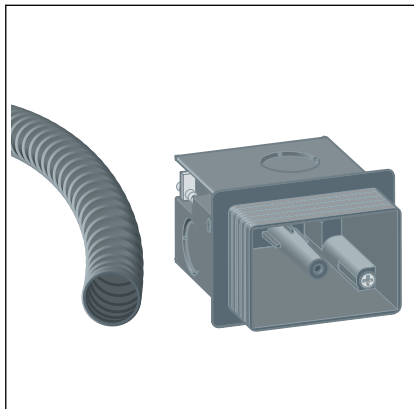
2.4 Accessories

Required accessories

For complete mounting of the electronic flush plate, you need the electronic accessory set (model 8655.11). Install the mains adapter in a connection socket suitable for protection class II (e.g. model 8570.62).

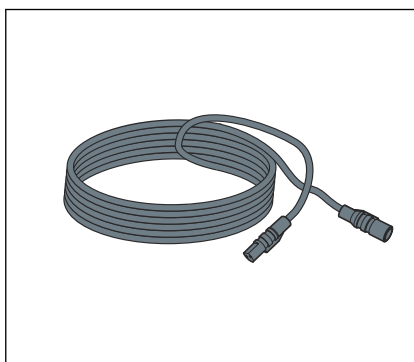
This ensures installation according to SELV.

For complete mounting of the WC remote flush actuation, you need the Prevista installation set (model 8640.14).



installation set (model 8640.14)

The installation set contains a hollow wall socket to house the remote flush actuation and an conduit pipe to connect the cistern.

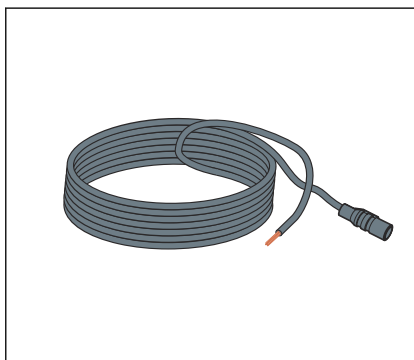


Extension cable (model 8352.690)

2 metre cable for the extension of the power supply.



Use a maximum of two extension cables with the mains adapter (4.75 meter total length).



Connection cable (model 8570.55)

3-meter cable for external flush actuation with on-site and commercially available buttons with closing function or potential-free contact (closing period 350 ms).

3 Handling

3.1 Assembly information

3.1.1 Mounting conditions

External sensors (optional)

If external sensors are to be connected to the drive unit, their connection cables or empty pipes must be laid in the cistern before tiling is begun, see ↗ *Chapter 2.3.5 'System expansions' on page 9*.

3.1.2 Required material and tools

Material

The following material is required for mounting:

- if necessary, accessories for the extension of the system ↗ *Chapter 2.3.5 'System expansions' on page 9*

Tool

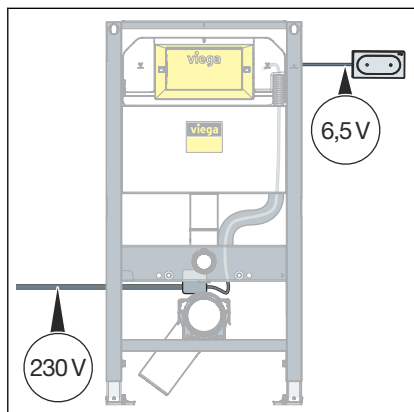
The following tools are required for mounting:

- cutting knife
- screwdriver
- Compass saw, diameter 50 mm (for mounting in pieces of furniture)

3.2 Assembly

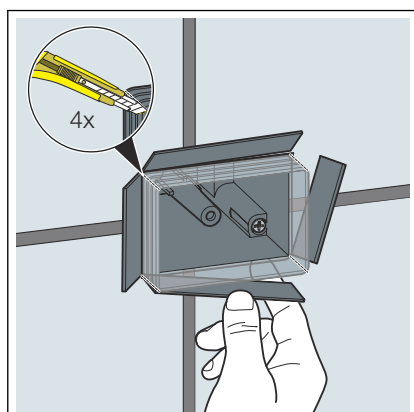
3.2.1 Mounting remote flush actuation

Mounting in a masonry wall

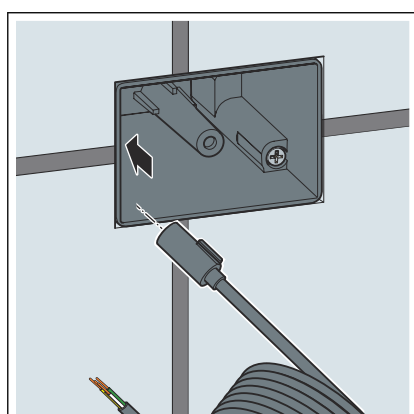


Requirements:

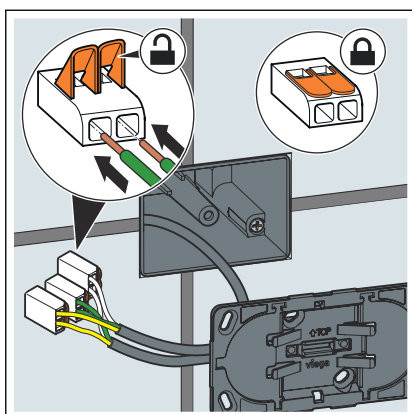
- The power pack is installed.
- The control is placed in the revision shaft.
- The installation set (model 8640.14) is installed.



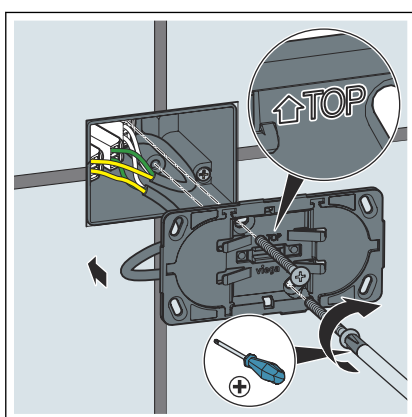
- Cut into the corners of the concealed socket.
- Fold the sides of the concealed socket outwards up to the tile level and snap them off.



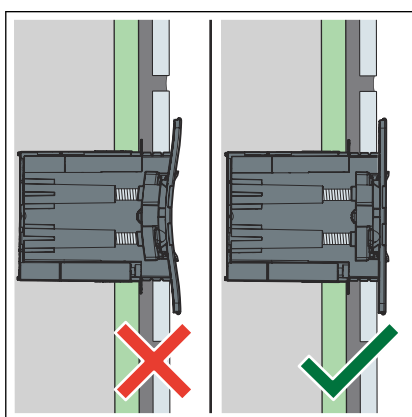
- Route the extension cable through the empty pipe from the concealed socket to the control.



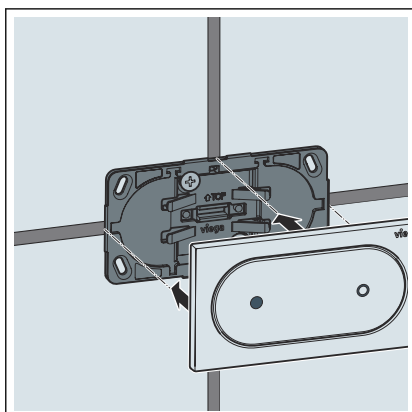
- Connect the extension cable to the installation frame of the remote flush actuation.



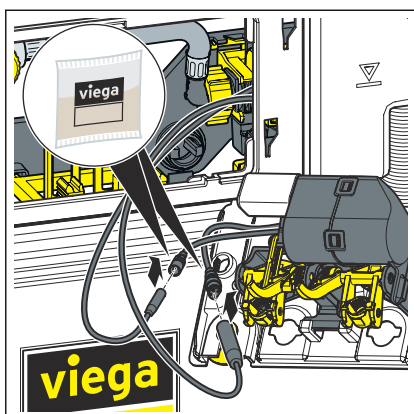
- Fasten the installation frame of the remote flush actuation in the concealed socket.



- Screw on the installation frame with care. Make sure the frame does not warp.

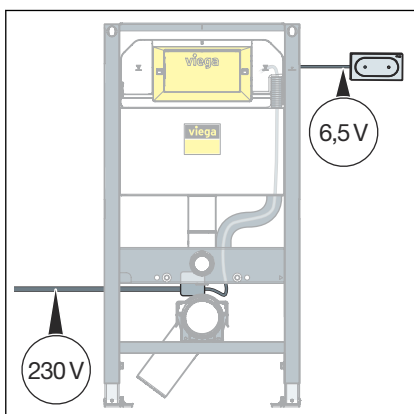


- Hang in the remote flush actuation.
- You have mounted the remote flush actuation.



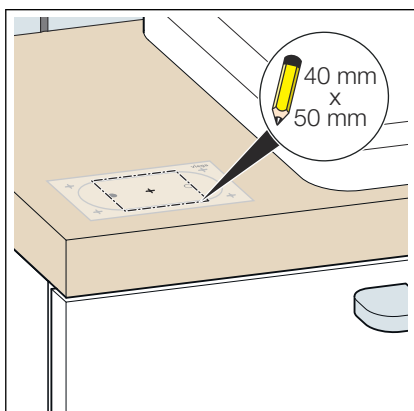
- Apply the silicon grease to all connections of the control.
- Connect the remote flush actuation to the control.

Mounting in pieces of furniture



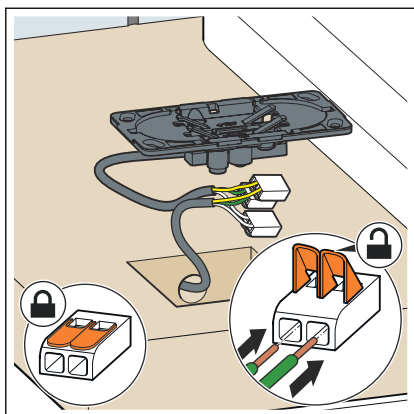
Requirements:

- The power pack is installed.
- The control is placed in the revision shaft.
- The extension cable is guided from the control to the installation location.

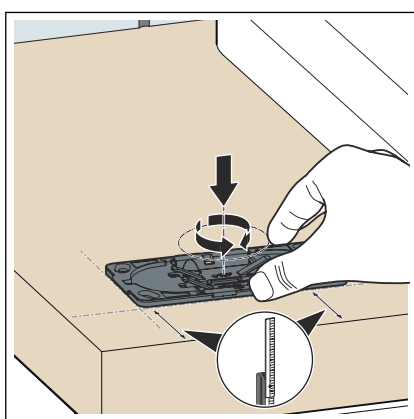


INFO! The mounting template is comprised in the mounting instructions accompanying the product.

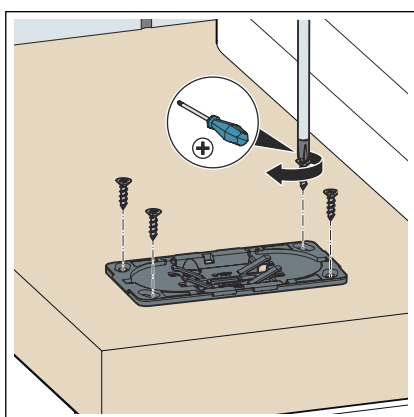
- Use the mounting template to mark the recess.
- Drill the recess.



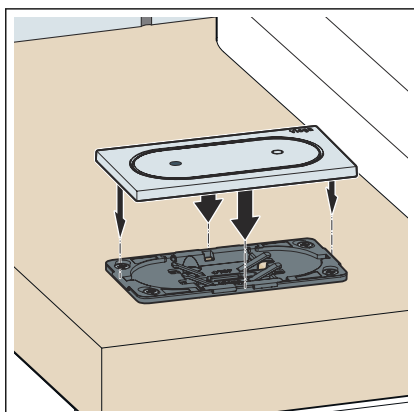
- Connect the extension cable to the installation frame of the remote flush actuation.



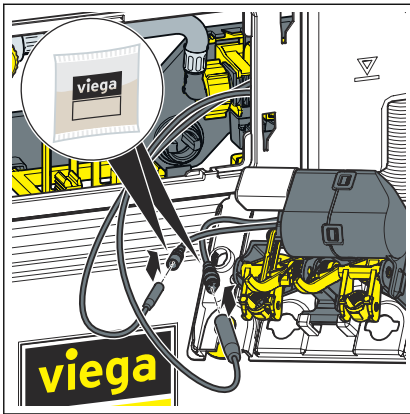
- Align the installation frame.



- Fasten the installation frame to the remote flush actuation.



- Hang in the remote flush actuation.
- You have mounted the remote flush actuation.



- Apply the silicon grease to all connections of the control.
- Connect the remote flush actuation to the control.

3.2.2 Connecting external sensors



NOTICE!
Damage to property due to excess voltage

If you apply voltage to the connection cable for the external button, you will damage the control.

- Do not apply any external voltage!

Requirements:

- Button with locking function or potential-free contact (closure time at least 350 ms) available
- Connection cable available
- Connect the contact to actuate the small flush volume between the white (1) and yellow cable (3).

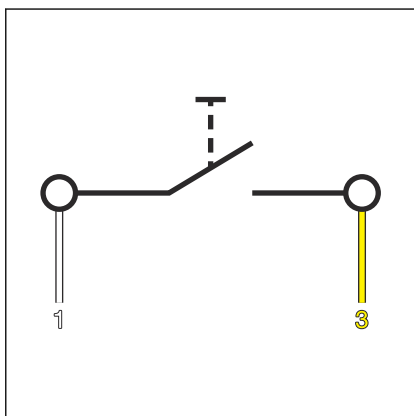


Fig. 3: WC flush plate, terminal assignment for external sensors

- Connect the contact to actuate the large flush volume between the white (1) and green cable (2).
- Strip the end of the brown cable (e.g., with a lustre terminal).

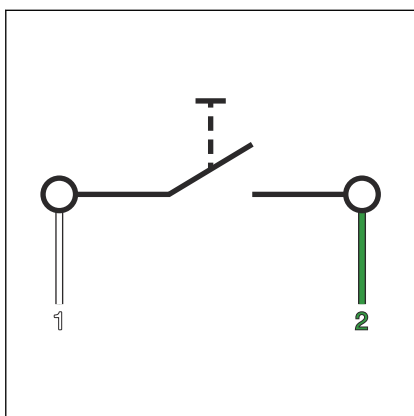
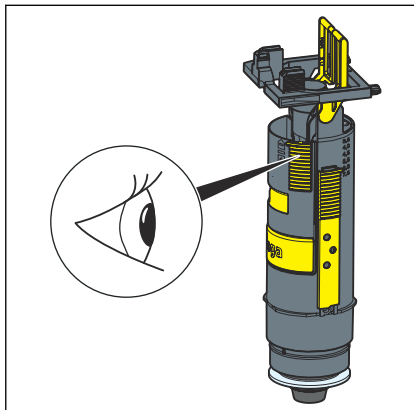


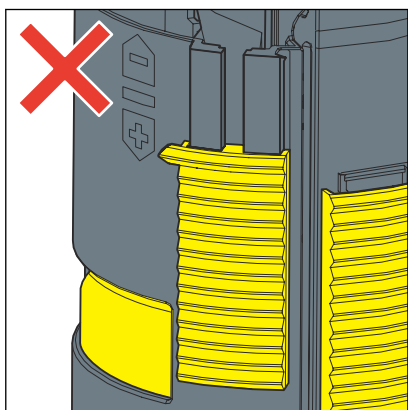
Fig. 4: WC flush plate, terminal assignment for external sensors

3.3 Commissioning

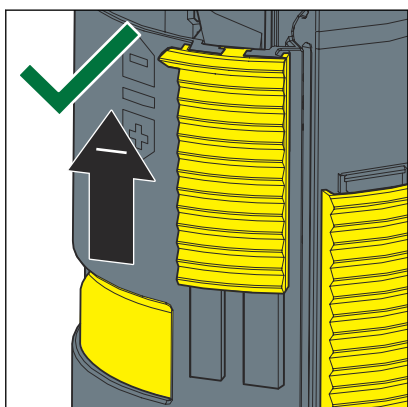
3.3.1 Setting the flush



The smallest possible flush volume must be set at the drain valve in the cistern.



- The small flush volume is set incorrectly.

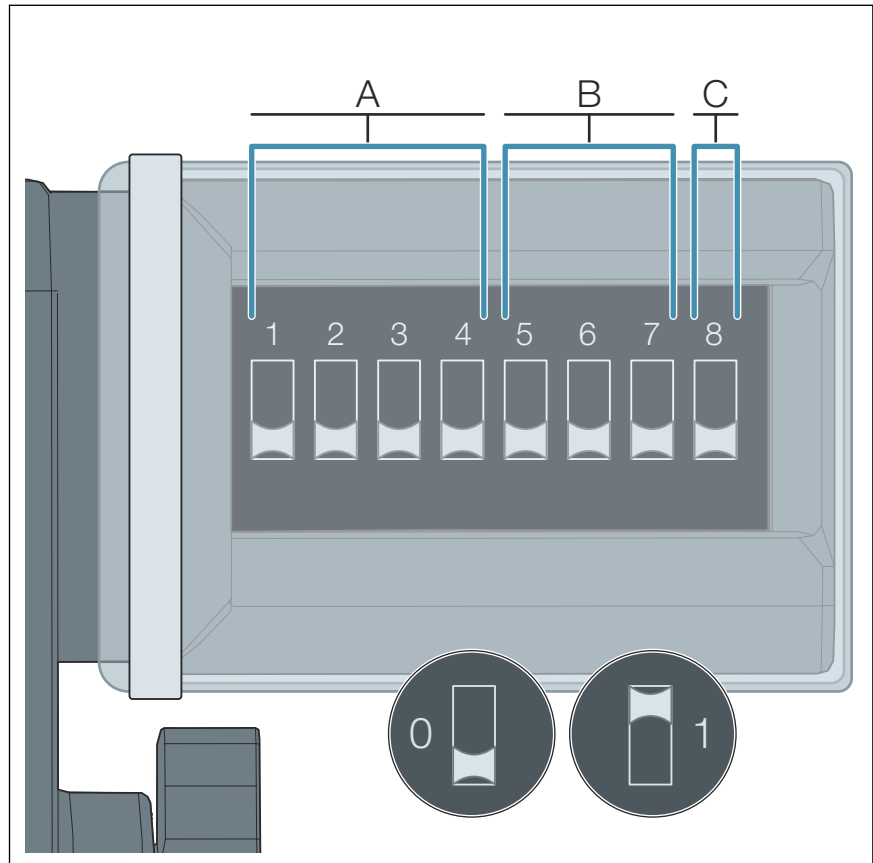


- The small flush volume is set correctly.

The flush volume is set via the DIP switch of the drive unit.



Make the settings only in the currentless (unconnected) state.



- A Setting the flush volume
- B Interval of the Hygiene function
- C Setting the flush volume of the Hygiene function
- 0 DIP switch position: OFF
- 1 DIP switch position: ON

The assignment of the DIP switches:

- Switches 1-4 define the flush volume.
- Switches 5-7 define the interval of the Hygiene function.
- Switch 8 defines the flush volume of the Hygiene function.



NOTICE!
Damage due to moisture

Risk of damage to the drive unit if moisture penetrates.

- Do not remove the protective cover of the DIP switches.

Setting the flush volumes (A)

Program no.	Large flush volume (in litres)	Small flush volume (in litres)	Position of switches 1—4			
			1	2	3	4
Program 0 (factory setting)	6	3	0	0	0	0
Program 1	3.5	2	0	0	0	1
Program 2	4.5	2	0	0	1	0
Program 3	6	2	0	0	1	1
Program 4	7.5	2	0	1	0	0
Program 5	3.5	3	0	1	0	1
Program 6	4.5	3	0	1	1	0
Program 7	7.5	3	0	1	1	1
Program 8	4.5	4	1	0	0	0
Program 9	6	4	1	0	0	1
Program 10	7.5	4	1	0	1	0

Enabling the Hygiene function and setting the intervals (B)

Interval (in hours)	Position of switches 5—7		
	5	6	7
Switched off	0	0	0
1	0	0	1
12	0	1	0
24	0	1	1
72	1	0	0
168	1	0	1

Setting the flush volume of the Hygiene function (C)

Flush volume (in litres)	Position of switch 8
3	0
7.5	1

3.4 Errors, faults and remedy



In case of malfunctions, disconnect the model from the power supply and reconnect it after one minute.

Error	Cause	Solution
The WC does not flush.	The supply voltage has failed.	Check the power supply.
	The cistern is not yet completely full.	Wait until the cistern is sufficiently full.
	There is no water in the cistern. The corner valve is closed.	Open the corner valve.
	The control is defective.	Replace the control.
	The plugs of control and flush plate have not been connected.	Establish the plug connection.
The WC flush runs through.	The seal at the filling valve is dirty or damaged.	Check the seal, replace if necessary.
	The seal at the drain valve is dirty or damaged.	Check the seal, replace if necessary.

3.5 Care and maintenance

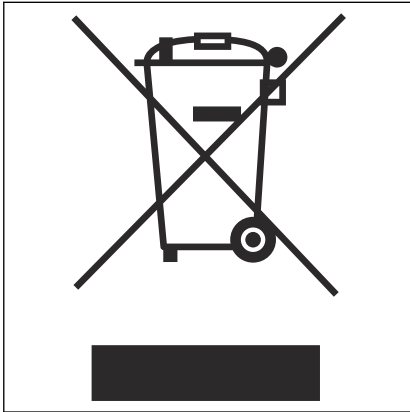
3.5.1 Care tips

Use normal soap or a mild cleaning agent for regular care and prevention of lime scale on the flush plate. Under no circumstances should scouring agent or scratching objects be used.

Strong stains can be removed using typical household cleaner. Rinse the detergent thoroughly with clear water after the prescribed exposure time. There should be no residue on the components.

3.6 Disposal

Separate the product and packaging materials (e. g. paper, metal, plastic or non-ferrous metals) and dispose of in accordance with valid national legal requirements.



Electronic components and batteries must not be put in the domestic waste but must be disposed of appropriately in conformity with the WEEE guideline 2012/19/EU.



Viega GmbH & Co. KG
service-technik@viega.de
viega.com

INT • 2022-08 • VPN220121

