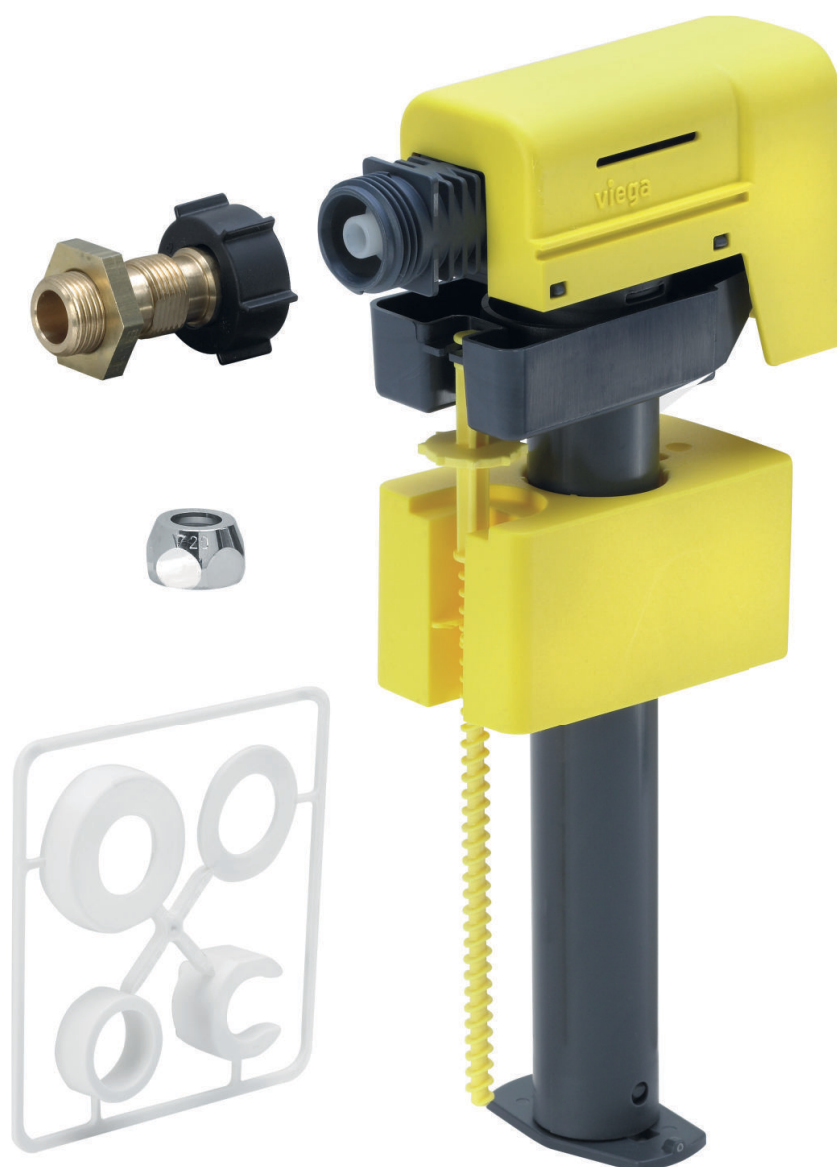


Instructions for Use

Filling valve set



for wall-mounted cisterns by various manufacturers

Model
8310.76

Year built (from)
04/2017

viega

Table of contents

1	About these instructions for use	3
	1.1 Target groups	3
	1.2 Labelling of notes	3
	1.3 About this translated version	4
2	Product information	5
	2.1 Area of application	5
	2.2 Product description	5
3	Handling	6
	3.1 Assembly	6
	3.1.1 Mounting the filling valve set	6
	3.1.2 Cleaning / replacing the membrane valve	8
	3.2 Disposal	11

1 About these instructions for use

1.1 Target groups

The information in this instruction manual is directed at the following groups of people:

- Heating and sanitary professionals and trained personnel

It is not permitted for individuals without the abovementioned training or qualification to mount, install and, if required, maintain this product. This restriction does not extend to possible operating instructions.

The installation of Viega products must take place in accordance with the general rules of engineering and the Viega instructions for use.

1.2 Labelling of notes

Warning and advisory texts are set aside from the remainder of the text and are labelled with the relevant pictographs.



DANGER!

This symbol warns against possible life-threatening injury.



WARNING!

This symbol warns against possible serious injury.



CAUTION!

This symbol warns against possible injury.



NOTICE!

This symbol warns against possible damage to property.



Notes give you additional helpful tips.

1.3 About this translated version

This instruction for use contains important information about the choice of product or system, assembly and commissioning as well as intended use and, if required, maintenance measures. The information about the products, their properties and application technology are based on the current standards in Europe (e. g. EN) and/or in Germany (e. g. DIN/DVGW).

Some passages in the text may refer to technical codes in Europe/Germany. These should serve as recommendations in the absence of corresponding national regulations. The relevant national laws, standards, regulations, directives and other technical provisions take priority over the German/European directives specified in this manual: The information herein is not binding for other countries and regions; as said above, they should be understood as a recommendation.

2 Product information

2.1 Area of application

The filling valve set is intended for filling a flush-mounted cistern.

2.2 Product description

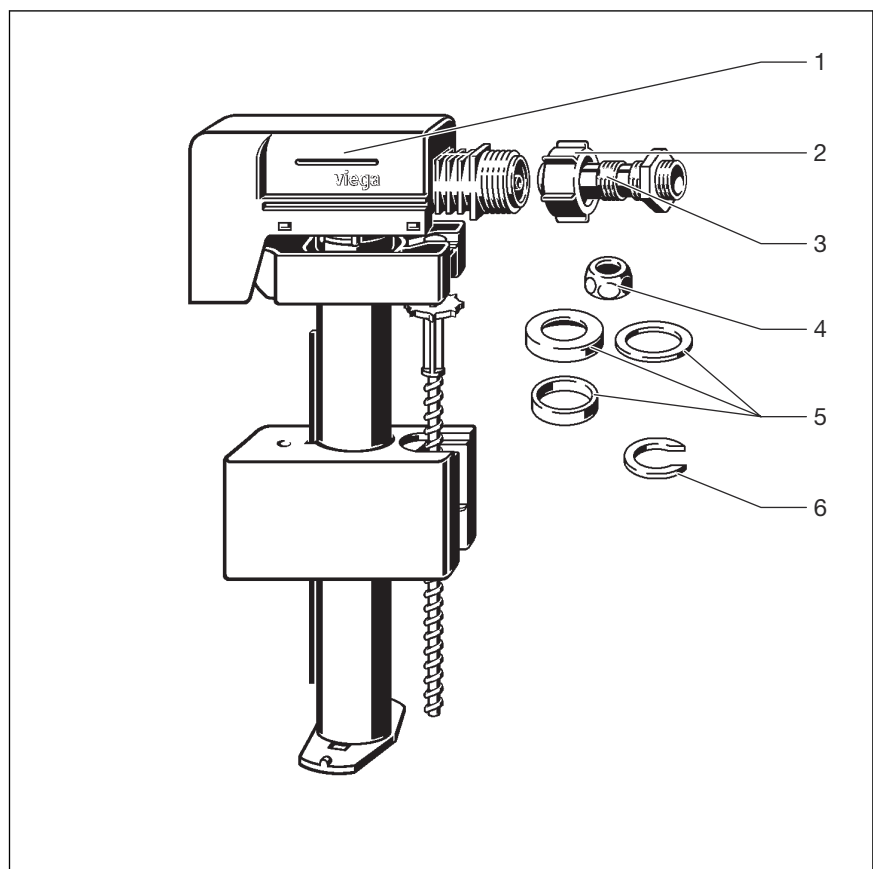


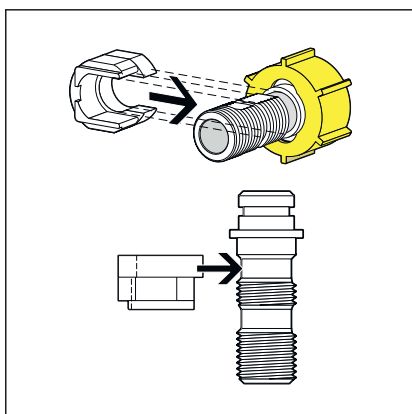
Fig. 1: Filling valve set

- 1 filling valve
- 2 union nut
- 3 nipples
- 4 Clamp connector
- 5 cistern fastening (3-pc.)
- 6 spacer

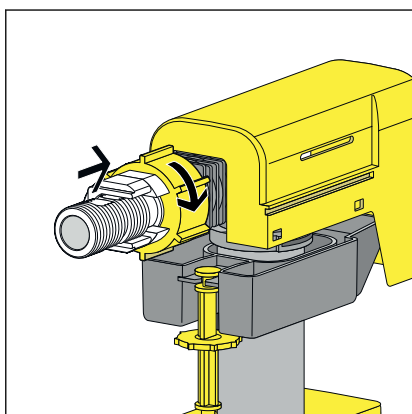
3 Handling

3.1 Assembly

3.1.1 Mounting the filling valve set

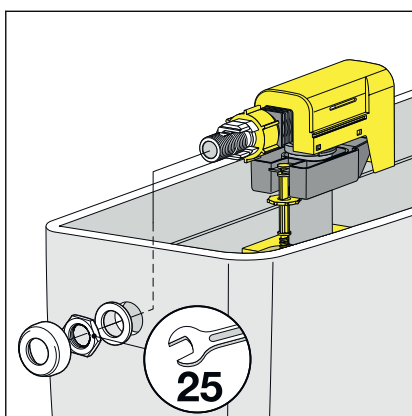


- Push the nipple through the union nut.
- Place the spacer on.



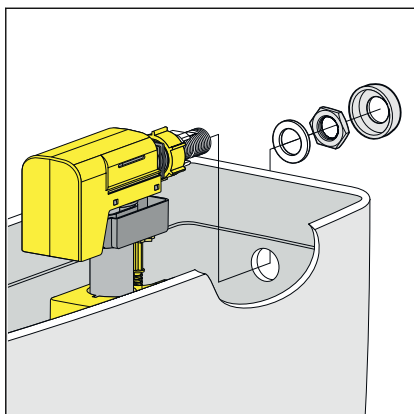
- Insert the group (consisting of union nut and spacer) in the filling valve.
- Hand-tighten the union nut.

Mounting on the left side

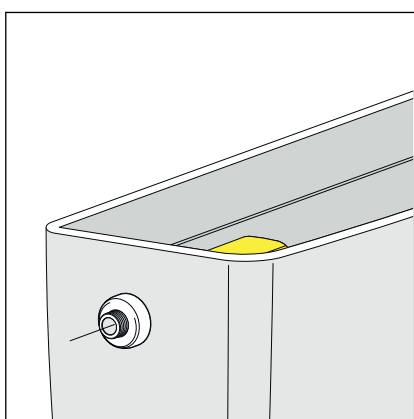


- Push the filling valve with the nipple through the opening of the cistern and fasten it.

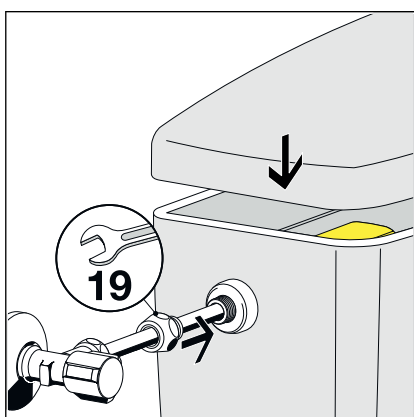
Mounting on the right side



► Push the filling valve with the nipple through the opening of the cistern and fasten it.

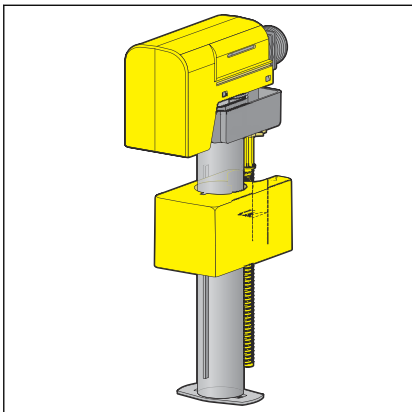


► Fasten the nipple from the outside at the cistern.

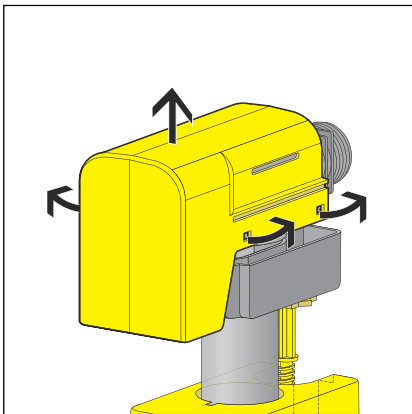


► Connect the nipple with union nut / flexible hose or Cu pipe / clamp connector.

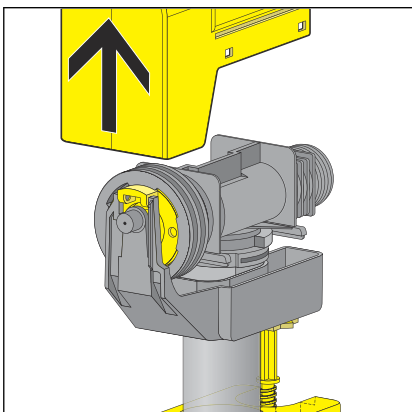
3.1.2 Cleaning / replacing the membrane valve



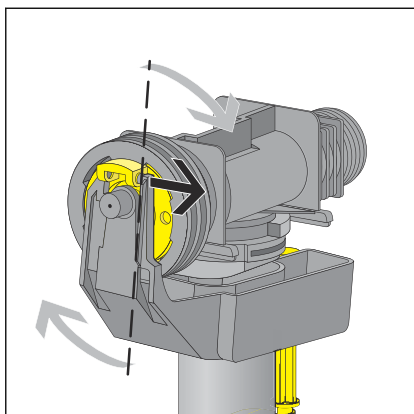
► Dismantle the filling valve.



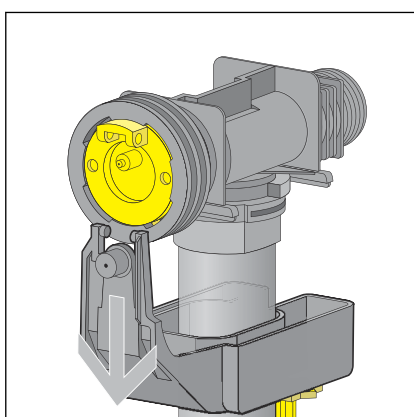
► Fold up the catches on the cover.



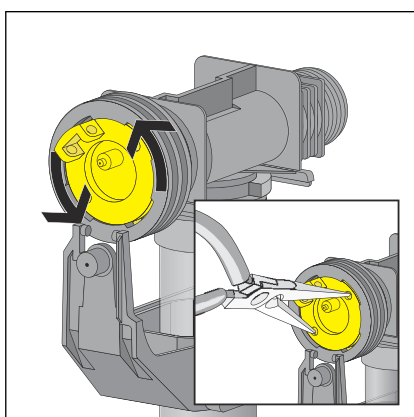
► Remove the cover upwards.



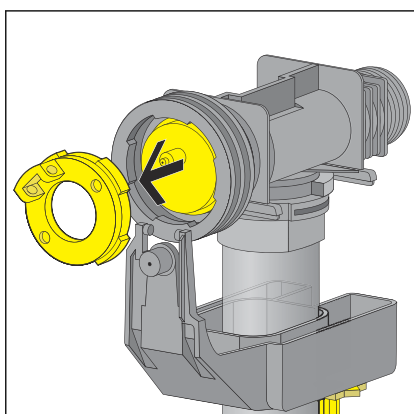
► Bend up the holder for the float.



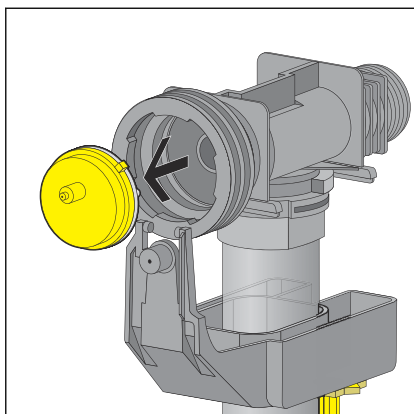
► Slide the holder downwards.



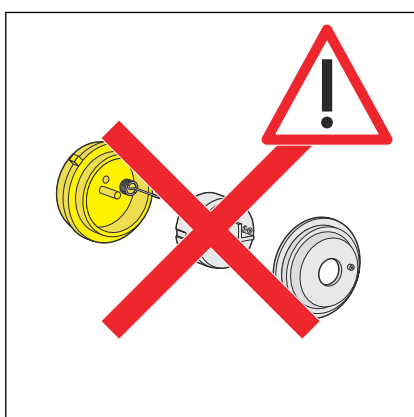
► Use snipe nose pliers to release the fixing rim by rotating through 45° in anti-clockwise direction.



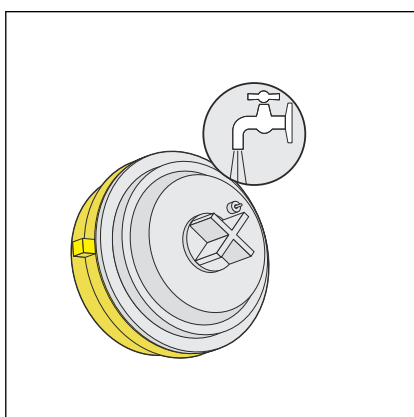
► Remove the closing piece.



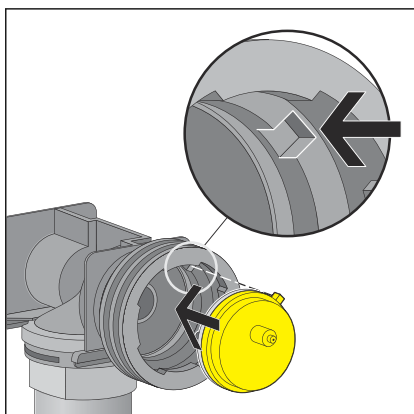
► Remove the membrane valve.



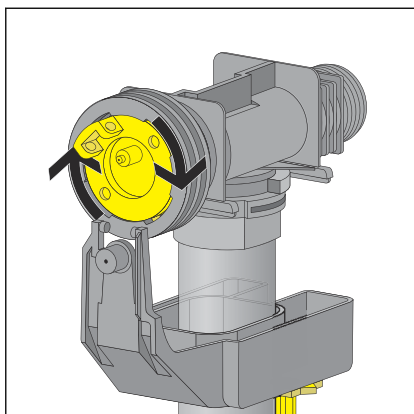
NOTICE! Do not dismantle the membrane valve into its components to avoid damage.



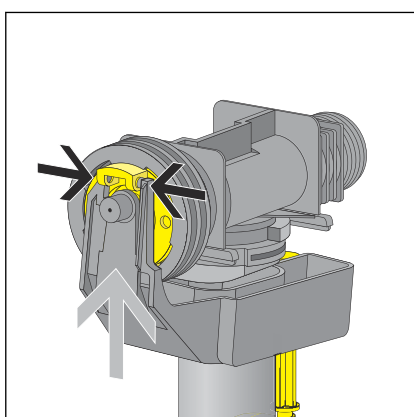
► If necessary, clean the membrane valve by holding it under running water.



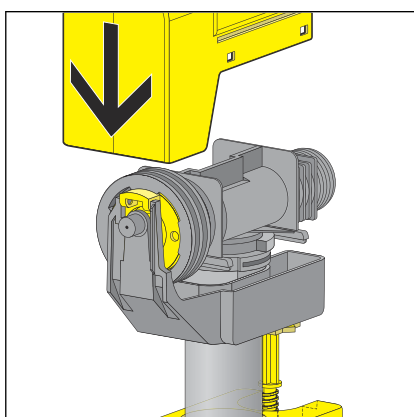
► Mount the membrane valve, checking for correct seating.



- Tighten the fixing rim by rotating through 45° in clockwise direction.



- Re-mount the holder of the float on the closing piece.



- Mount the cover.
- Mount the valve in the cistern, see [Chapter 3.1.1 'Mounting the filling valve set'](#) on page 6.
- Check the function.

3.2 Disposal

Separate the product and packaging materials (e. g. paper, metal, plastic or non-ferrous metals) and dispose of in accordance with valid national legal requirements.



Viega GmbH & Co. KG
service-technik@viega.de
viega.com

INT • 2022-08 • VPN170039

