

Instructions for Use

Visign for More 102 equipment set



for Viega urinal flushing system Visign installation set

Model
8353.2

Year built (from)
09/2007

viega

Table of contents

1	About these instructions for use	3
	1.1 Target groups	3
	1.2 Labelling of notes	3
	1.3 About this translated version	4
2	Product information	5
	2.1 Standards and regulations	5
	2.2 Intended use	5
	2.2.1 Areas of use	5
	2.2.2 Maintenance	5
	2.3 Product description	6
	2.3.1 Overview	6
	2.3.2 Technical data	6
3	Handling	7
	3.1 Assembly information	7
	3.1.1 Required material and tools	7
	3.2 Assembly	7
	3.2.1 Insert cartridge valve	7
	3.2.2 Mounting the basic panel	8
	3.2.3 Mounting the flush plate	9
	3.3 Faults, faults and remedy	10
	3.4 Care and maintenance	10
	3.4.1 Maintenance tips	10
	3.4.2 Cleaning cartridge valve	10
	3.5 Disposal	12

1 About these instructions for use

Trade mark rights exist for this document, further information can be found at viega.com/legal.

1.1 Target groups

The information in this instruction manual is directed at the following groups of people:

- Heating and sanitary professionals and trained personnel
- Operators
- Consumers

It is not permitted for individuals without the abovementioned training or qualification to mount, install and, if required, maintain this product. This restriction does not extend to possible operating instructions.

The installation of Viega products must take place in accordance with the general rules of engineering and the Viega instructions for use.

1.2 Labelling of notes

Warning and advisory texts are set aside from the remainder of the text and are labelled with the relevant pictographs.



DANGER!

This symbol warns against possible life-threatening injury.



WARNING!

This symbol warns against possible serious injury.



CAUTION!

This symbol warns against possible injury.



NOTICE!

This symbol warns against possible damage to property.



Notes give you additional helpful tips.

1.3 About this translated version

This instruction for use contains important information about the choice of product or system, assembly and commissioning as well as intended use and, if required, maintenance measures. The information about the products, their properties and application technology are based on the current standards in Europe (e. g. EN) and/or in Germany (e. g. DIN/DVGW).

Some passages in the text may refer to technical codes in Europe/Germany. These should serve as recommendations in the absence of corresponding national regulations. The relevant national laws, standards, regulations, directives and other technical provisions take priority over the German/European directives specified in this manual: The information herein is not binding for other countries and regions; as said above, they should be understood as a recommendation.

2 Product information

2.1 Standards and regulations

The following standards and regulations apply to Germany / Europe. National regulations can be found on the relevant web site of your country at viega.com/standards.

Regulations from section: Technical data

Scope / Notice	Regulations applicable in Germany
Flush flow	DIN 3265
Noise class	DIN 4109

2.2 Intended use

2.2.1 Areas of use

The equipment set is intended for the actuation of flushes in urinals.

2.2.2 Maintenance

The cartridge valve should be cleaned once a year to ensure fault-free operation. See [Chapter 3.4.2 'Cleaning cartridge valve'](#) on page 10

2.3 Product description

2.3.1 Overview

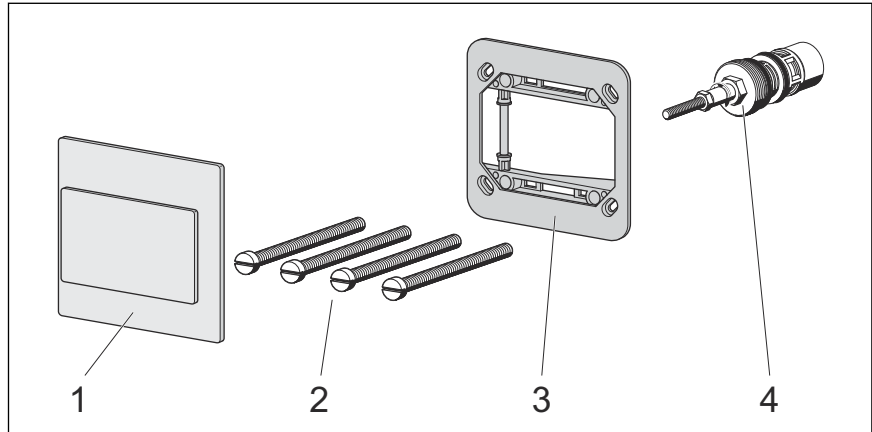


Fig. 1: Component overview

- 1 - flush plate
- 2 - fixing screws
- 3 - basic panel
- 4 - cartridge valve

2.3.2 Technical data

The product has the following technical data:

Minimum flow pressure	0.05–0.5 MPa (0.5–5 bar)
Flush flow, see ↗ <i>'Regulations from section: Technical data' on page 5</i>	0.3–0.7 l/s
Noise class, see ↗ <i>'Regulations from section: Technical data' on page 5</i>	Class 2

3 Handling

3.1 Assembly information

3.1.1 Required material and tools

Tool

The following tools are required for mounting:

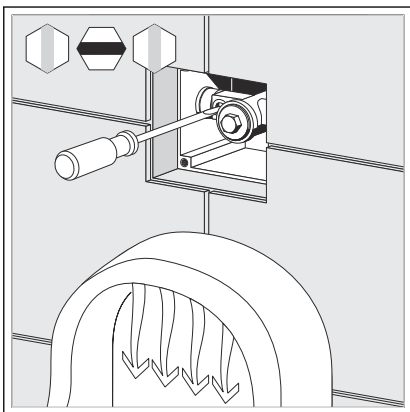
- flat screwdriver
- spanner (SW 17)
- handsaw

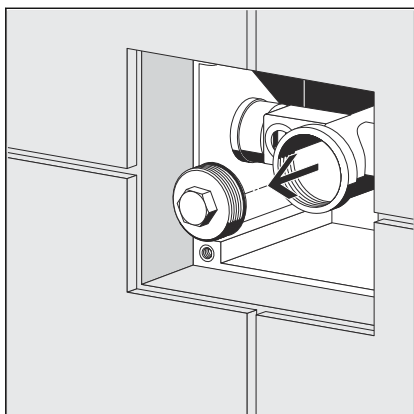
3.2 Assembly

3.2.1 Insert cartridge valve

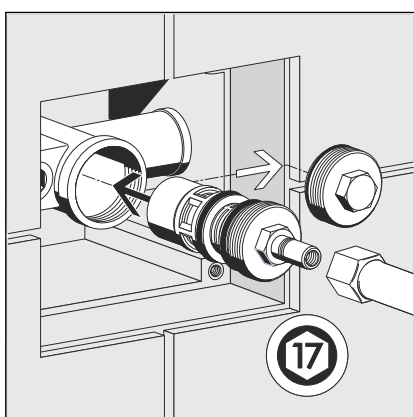
Requirements:

- the pre-wall element has been mounted
- the tiling work is completed.
- the revision opening is freely accessible
- the urinal ceramic has been mounted
- Open the shut-off with a screw driver for a few seconds to rinse the pipeline.
- Re-close shut-off.

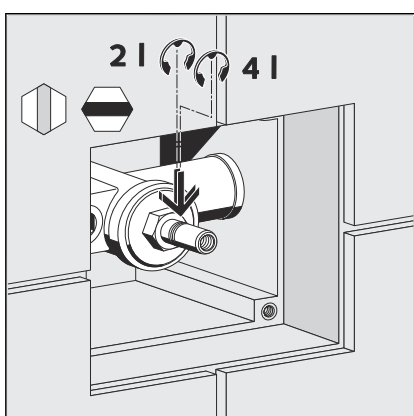




- Remove seal (SW 17).



- Place the cartridge valve on straight and carefully screw in (fine thread).
- Screw in cartridge valve (SW 17).



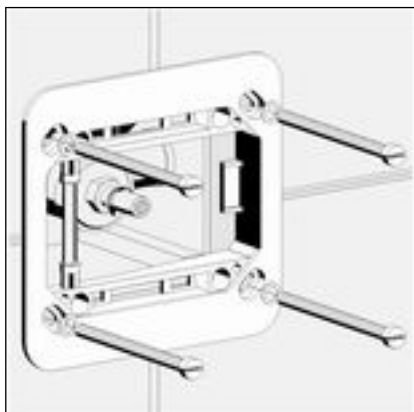
- Set flush volume.
 - inside position: 2 l
 - outside position: 4 l
- Open shut-off valve.

3.2.2 Mounting the basic panel

In the next step, the basic panel of the flush plate must be mounted.

Requirements:

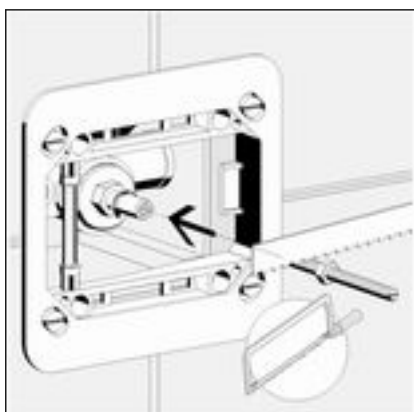
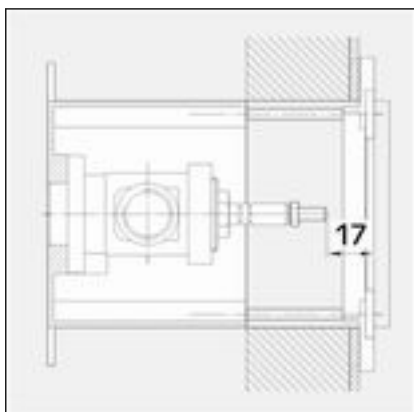
- The installation duct is ready for installation.
- The cartridge valve is mounted and set.
- Screw on basic panel loosely.
- Align basic panel horizontally and tighten screws.



3.2.3 Mounting the flush plate

Requirements:

- The cartridge valve is mounted and set.
- The basic panel has been mounted.
- Determine the length of the actuating rod. The tip of the rod must lie 17 mm behind the front edge of the basic panel.



- Shorten the actuating rod with a saw.
- Turn the actuating rod into the cartridge and counter with the threaded nut.



► Place the flush plate onto the basic panel.

INFO! Figure shows model 8351.2 as an example.

3.3 Faults, faults and remedy

Error	Cause	Remedy
Urinal does not flush	Shut-off valve closed	Open shut-off valve
	Cartridge valve dirty or damaged	Clean cartridge valve, if necessary, replace ↪ <i>Chapter 3.4.2 'Cleaning cartridge valve' on page 10</i>
Flush is too weak	Shut-off valve is not open far enough	Open shut-off valve
	Cartridge valve dirty or damaged	Clean cartridge valve, if necessary, replace ↪ <i>Chapter 3.4.2 'Cleaning cartridge valve' on page 10</i>
Urinal flush runs through	Cartridge valve dirty or damaged	Clean cartridge valve, if necessary, replace ↪ <i>Chapter 3.4.2 'Cleaning cartridge valve' on page 10</i>

3.4 Care and maintenance

3.4.1 Maintenance tips

Normal soap or a mild cleaning agent can be used for regular care and prevention of lime scale on the flush plate. Under no circumstances should scouring agent or scratching objects be used.

Strong stains can be removed using typical household cleaner. Rinse the detergent thoroughly with clear water after the prescribed exposure time. There should be no residue on the components.

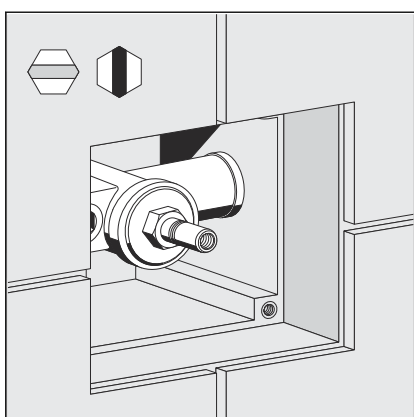
3.4.2 Cleaning cartridge valve

The cartridge valve may be cleaned, if necessary. Proceed as follows:

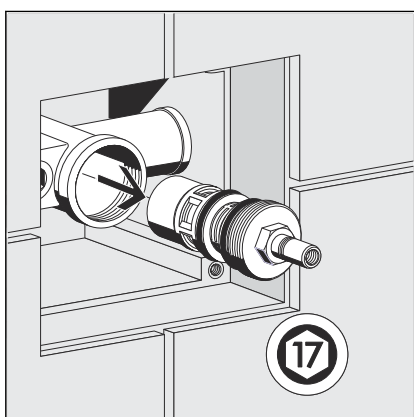


- Remove the flush plate from the basic panel.

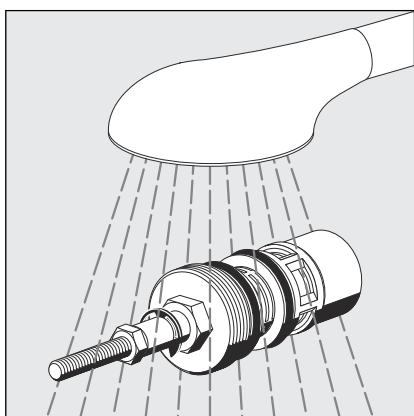
INFO! Figure shows model 8351.2 as an example.



- Close shut-off.



- Unscrew cartridge valve.



- Rinse cartridge valve under running water.
Remove coarse dirt with a soft brush.
- Re-mount cartridge valve and flush plate in acc. with [Chapter 3.2.1 'Insert cartridge valve' on page 7](#) & [Chapter 3.2.3 'Mounting the flush plate' on page 9](#).

3.5 Disposal

Separate the product and packaging materials (e. g. paper, metal, plastic or non-ferrous metals) and dispose of in accordance with valid national legal requirements.



Viega GmbH & Co. KG
service-technik@viega.de
viega.com

INT • 2022-08 • VPN170362

