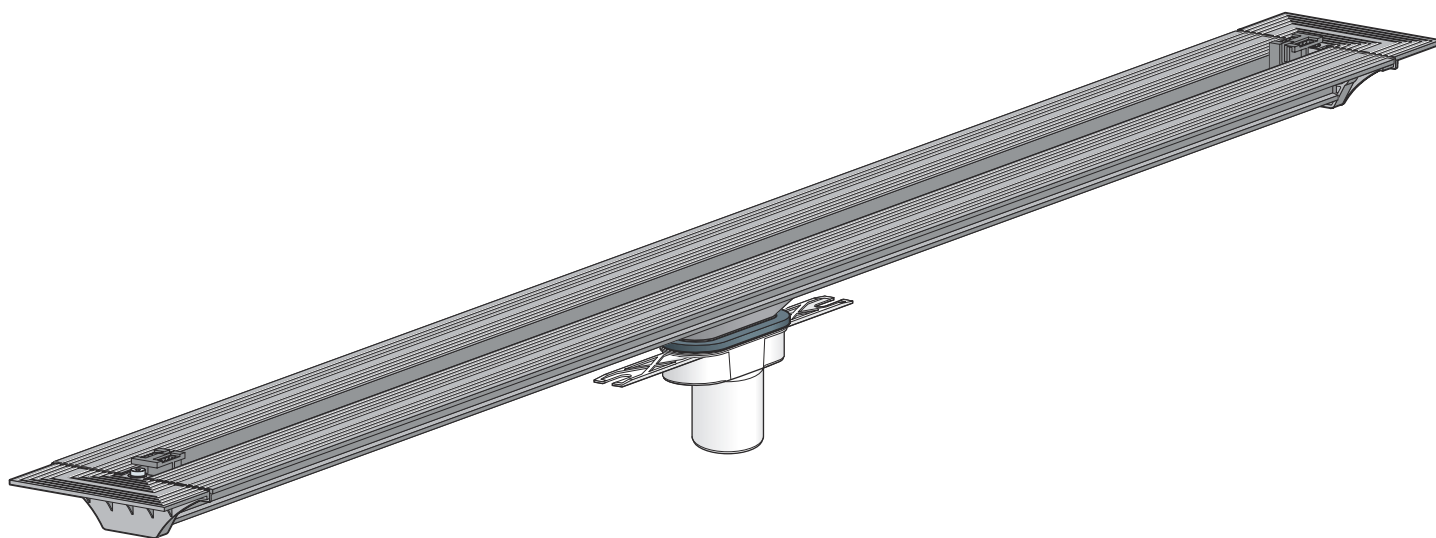


Instructions for Use

Advantix Vario shower channel with drain connector



for bonded sealing (tiled shower) with sealing mat

Model
4966.19

Year built (from)
01/2017

viega

Table of contents

1	About these instructions for use	4
	1.1 Target groups	4
	1.2 Labelling of notes	4
	1.3 About this translated version	5
2	Product information	6
	2.1 Standards and regulations	6
	2.2 Intended use	7
	2.2.1 Areas of application	7
	2.2.2 Media	7
	2.2.3 Drainage capacity	7
	2.3 Product description	7
	2.3.1 Installation variations	7
	2.3.2 Overview of the components	11
	2.3.3 Technical data	14
	2.3.4 Sound protection	15
	2.4 Information for use	15
	2.4.1 Sealing	15
	2.4.2 Fire protection	17
	2.5 Required accessories	17
3	Handling	18
	3.1 Assembly information	18
	3.1.1 Important note	18
	3.1.2 Tools and materials	18
	3.1.3 Installation dimensions	19
	3.1.4 Recommended procedure	22
	3.2 Assembly	23
	3.2.1 Calculating the profile length in niche installation	23
	3.2.2 Shortening the profile	24
	3.2.3 Mounting the closing caps on base unit	26
	3.2.4 Pre-mounting extending parts	26
	3.2.5 Determine height	29
	3.2.6 Mounting feet and drain socket	31
	3.2.7 Preparing for further work	34
	3.2.8 Sealing the shower channel	35
	3.2.9 Inserting the sieve	44

3.2.10	Mounting the standing grate	44
3.3	Care	47
3.3.1	Care tips	47
3.3.2	Cleaning	48
3.4	Disposal	48

1 About these instructions for use

Trade mark rights exist for this document; for further information, go to viega.com/legal.

1.1 Target groups

The information in this instruction manual is directed at the following groups of people:

- Heating and plumbing experts and trained personnel
- Tilers

Individuals without the abovementioned training or qualification are not permitted to mount, install and, if required, maintain this product. This restriction does not extend to possible operating instructions.

The installation of Viega products must take place in accordance with the general rules of engineering and the Viega instructions for use.

1.2 Labelling of notes

Warning and advisory texts are set aside from the remainder of the text and are labelled with the relevant pictographs.



DANGER!

This symbol warns of possible life-threatening injury.



WARNING!

This symbol warns of possible serious injury.



CAUTION!

This symbol warns of possible injury.



NOTICE!

This symbol warns of possible damage to property.



This symbol gives additional information and hints.

1.3 About this translated version

This instruction for use contains important information about the choice of product or system, assembly and commissioning as well as intended use and, if required, maintenance measures. The information about the products, their properties and application technology are based on the current standards in Europe (e.g. EN) and/or in Germany (e.g. DIN/DVGW).

Some passages in the text may refer to technical codes in Europe/Germany. These should serve as recommendations in the absence of corresponding national regulations. The relevant national laws, standards, regulations, directives and other technical provisions take priority over the German/European directives specified in this manual: The information herein is not binding for other countries and regions; as said above, they should be understood as a recommendation.

2 Product information

2.1 Standards and regulations

The following standards and regulations apply to Germany / Europe and are provided as a support feature.

Regulations from section: Sealing

Scope / Notice	Regulations applicable in Germany
Stress class of the underground, as well as suitable bonded sealing	ZDB-Merkblatt 8/2012
Stress class of the underground, as well as suitable bonded sealing	Leitfaden zur Abdichtung im Verbund (AIV)
Approved bonded sealings with proof of practicability in keeping with building law for stress classes A and AO	ETAG 022 T1
Approved bonded sealings with proof of practicability in keeping with building law for stress classes A, B and C	DIBt-Bauregelliste A, Teil 2 des DIBt und Prüfgrundsätze für Abdichtungen im Verbund (PG AIV-F)
Permitted bonded sealings	EN 14891
Sealing of inside rooms	DIN18534

Regulations from section: Media

Scope / Notice	Regulations applicable in Germany
Typical domestic wastewater	DIN 1986-3

Regulations from section: Sound protection

Scope / Notice	Regulations applicable in Germany
Fulfilled noise protection requirements	DIN 4109
Fulfilled noise protection requirements	VDI 4100

2.2 Intended use

2.2.1 Areas of application

The shower channel is used in the bathroom as a drain for a floor-level shower. The shower channel is designed for small to medium volumes of water, such as those occurring in the residential building sector, for example.

Technical information, see ↗ *Chapter 2.3.3 'Technical data' on page 14.*

2.2.2 Media

The shower channel is intended for draining of household-type wastewater in constant operation, see ↗ *'Regulations from section: Media' on page 6.*

- The short-term temperature of the wastewater may reach up to 95° C. The temperature must be considerably lower in constant operation.
- The pH value must be higher than four but lower than ten.

It is not permitted to introduce wastewater, which could damage the product material.

2.2.3 Drainage capacity

Accumulation height	Drainage capacity
10 mm	0.7 l/s
20 mm	1 l/s

2.3 Product description

2.3.1 Installation variations



The length and shape of the Advantix Vario shower channel can be variably adapted. Use the shower channel configurator to calculate the material required for any design available: <http://advantix-vario.viega.cz/>

The shower channel length is variably adjustable:

- The base unit can be shortened to a length of 300 mm with millimetre precision.
- The length of the shower channel can be extended up to 2800 mm by installing accessory parts.

Accessories

The shower channel can be altered in the following way using the following accessories:

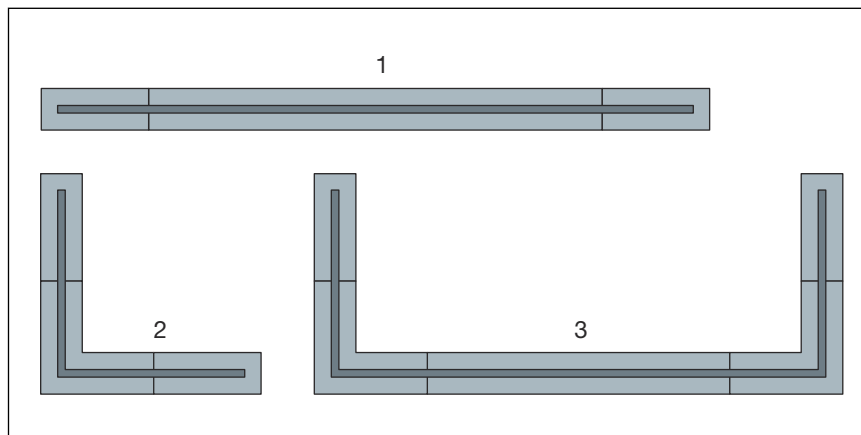
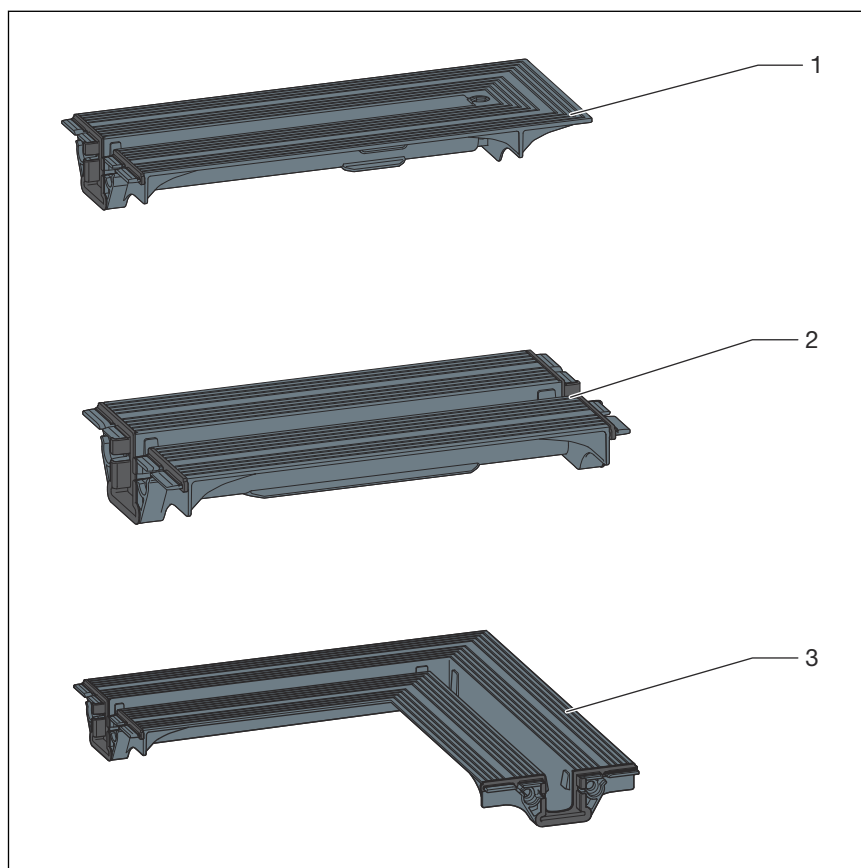


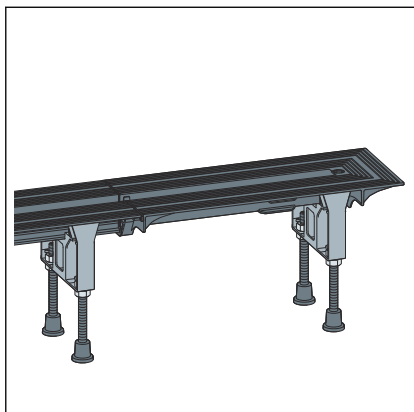
Fig. 1: Installation versions

- 1 straight version, also possible with two base units
- 2 L-version
- 3 U-version

The following accessories are available:



- 1 End closing piece, 275 mm
- 2 Connection piece, 210 mm
- 3 Connection piece 90°, 290 x 290 mm



end closing piece

Instead of the closing cap, a long so-called "end closing piece" can be mounted onto the base unit. The base unit can therefore be extended accordingly.

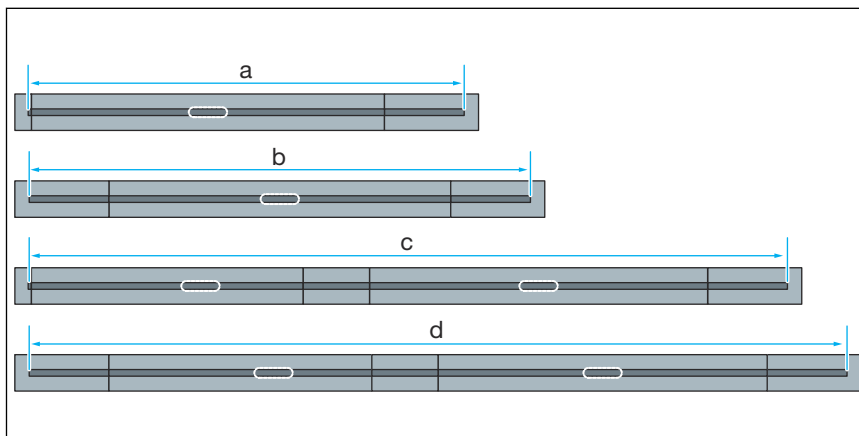
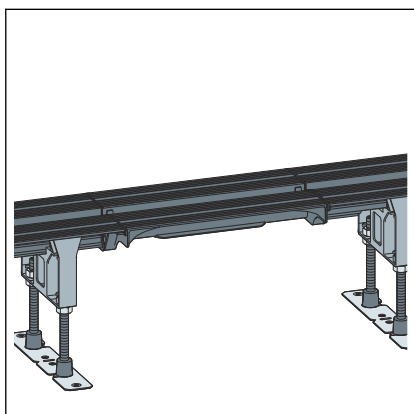


Fig. 2: Installation possibilities with end closing piece

- a max. 1451 mm
- b max. 1680 mm
- c max. 2651 mm
- d max. 2880 mm



Connection piece

The connector serves the purpose of connecting two base units with each other. In this case, one of the two base unit units must be shortened by the length of the connector (= 210 mm).



- The connection piece may not be shortened.
- The connection piece may not be used with the L or U versions.

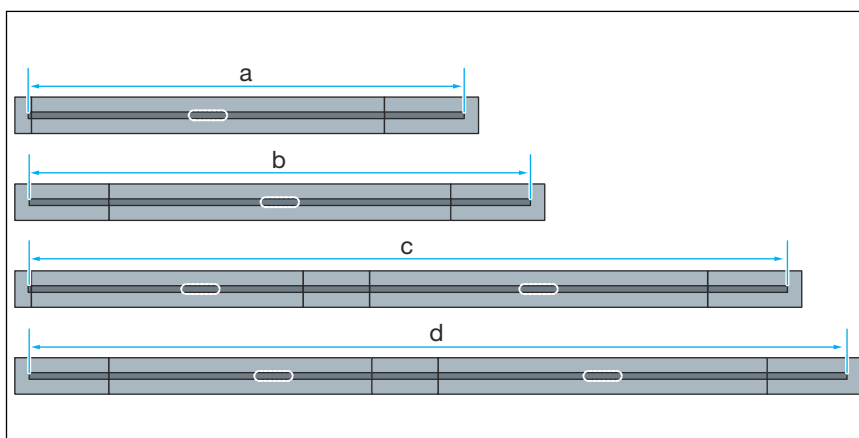
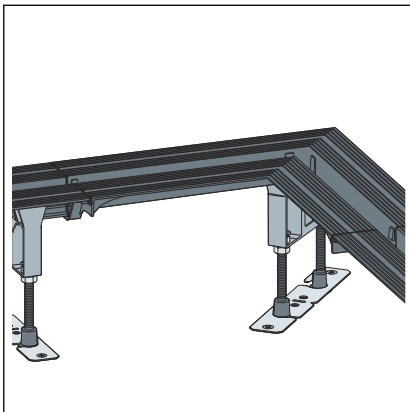


Fig. 3: Models with connection piece

- a min. 831 mm
- b max. 2422 mm
- c max. 2651 mm
- d max. 2880 mm



Connection piece 90°

The connection piece 90° enables the mounting shower channels in L- or U-models.

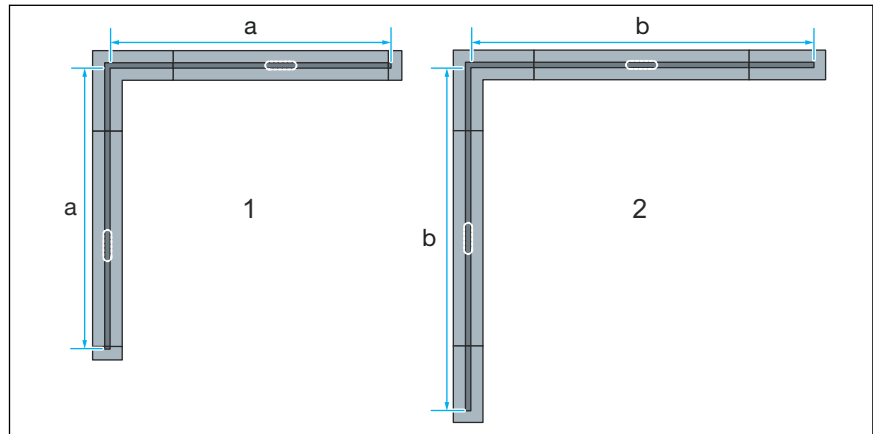


Fig. 4: Installation possibilities with connection pieces 90° for L version

- 1 with closing caps
- 2 with end closing pieces
- a 557–1457 mm
- b max. 1686 mm

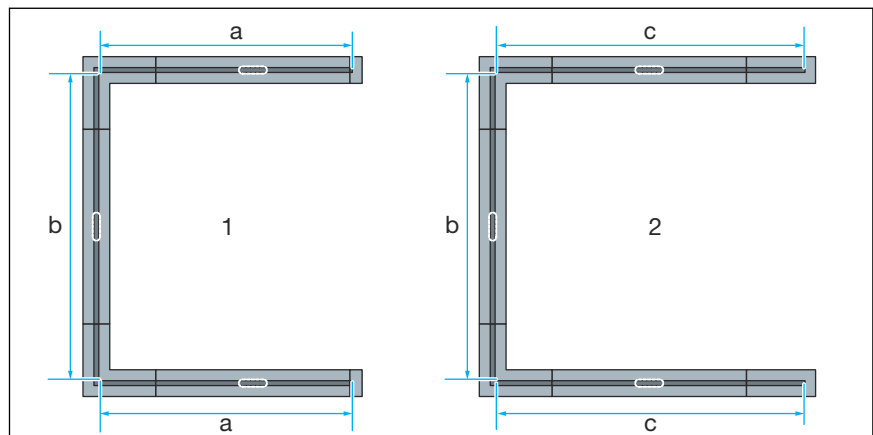


Fig. 5: Installation possibilities with connection pieces 90° for U version

- 1 with closing caps
- 2 with end closing pieces
- a 557–1457 mm
- b 792–1692 mm
- c max. 1686 mm

2.3.2 Overview of the components

Basic model

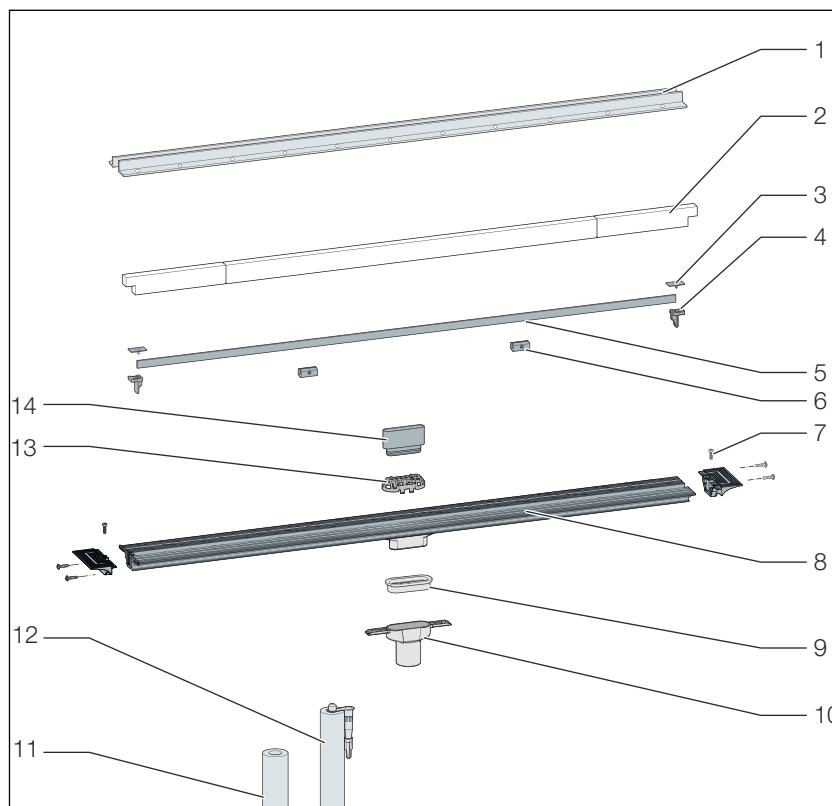


Fig. 6: Components and scope of delivery

- 1 Tile end rail (not in scope of delivery)
 - 2 Protective insert made of hard foam
 - 3 Cover caps*
 - 4 Standing grate holder*
 - 5 Standing grate supports*
 - 6 Standing grate*
 - 7 Test adapter
 - 8 Sieve
 - 9 Adjusting screws
 - 10 Closing caps with fixing screws
 - 11 Seal
 - 12 Drain connector
 - 13 Sealing tape
 - 14 Mounting adhesive
- * not included in the scope of delivery

Extension parts

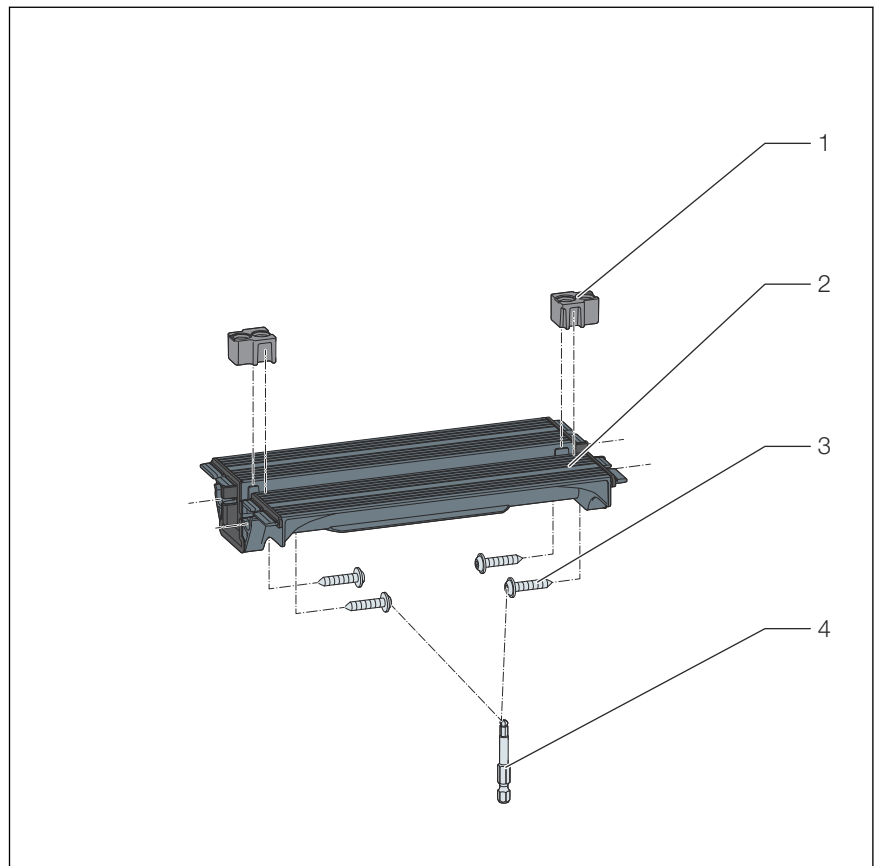


Fig. 7: connection piece, scope of delivery

- 1 Spacer
- 2 Connection piece
- 3 Screws
- 4 Allen key size 4

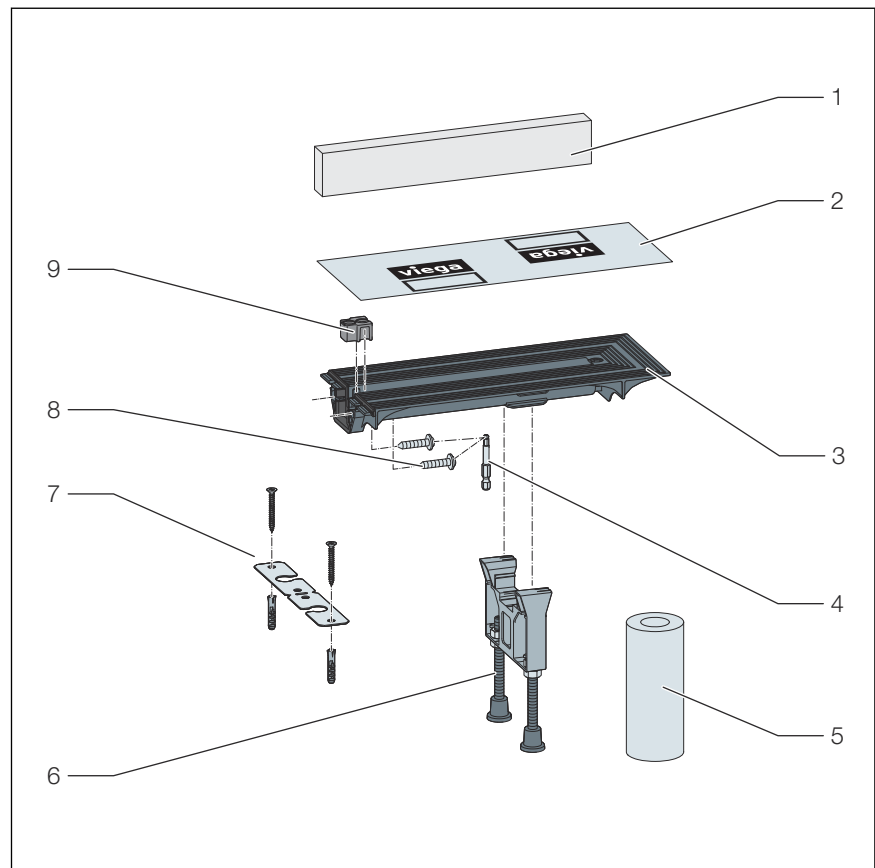


Fig. 8: end closing piece, scope of delivery

- 1 Protective insert made of hard foam
- 2 Protective cover
- 3 End closing piece
- 4 Allen key size 4
- 5 Sealing tape
- 6 Foot, height-adjustable
- 7 Fixing material
- 8 Screws
- 9 Spacer

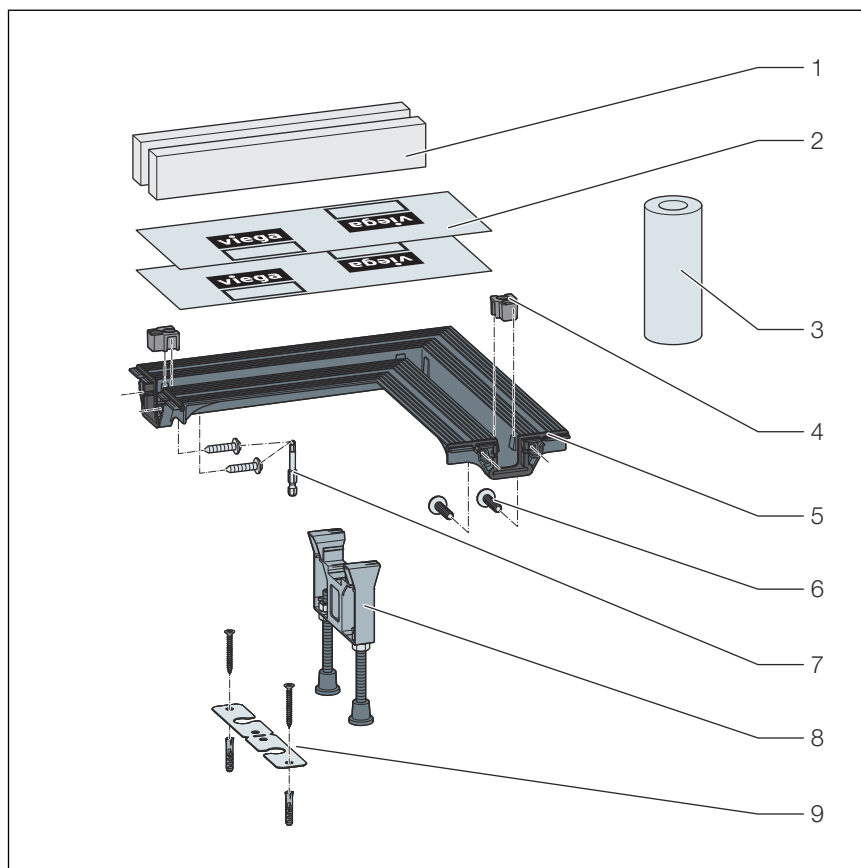


Fig. 9: connection piece 90°, scope of delivery

- 1 Protective insert made of hard foam
- 2 Protective cover
- 3 Sealing tape
- 4 Spacer
- 5 Connection piece 90°
- 6 Screws
- 7 Allen key size 4
- 8 Foot, height-adjustable
- 9 Fixing material

2.3.3 Technical data

Nominal width [DN]	40 / 50
Material	Base unit made of plastic
Drainage capacity	↪ Chapter 2.2.3 'Drainage capacity' on page 7
Dimensions and installation height	↪ Chapter 3.1.3 'Installation dimensions' on page 19
Load	max. 120 kg load per standing grate holder

2.3.4 Sound protection

The measured sound level during water drainage is 19 dB(A). For information on sound protection requirements met, see ↗ *'Regulations from section: Sound protection'* on page 6.

2.4 Information for use

2.4.1 Sealing

Bonded sealing

To protect against moisture penetration, apply sealing foils, which are to be processed in liquid state, directly below the tiles on screed and walls. The determination of the stress class and the underground as well as the selection of the suitable bonded sealing must be carried out in compliance with the valid standards and regulations, see: ↗ *'Regulations from section: Sealing'* on page 6.

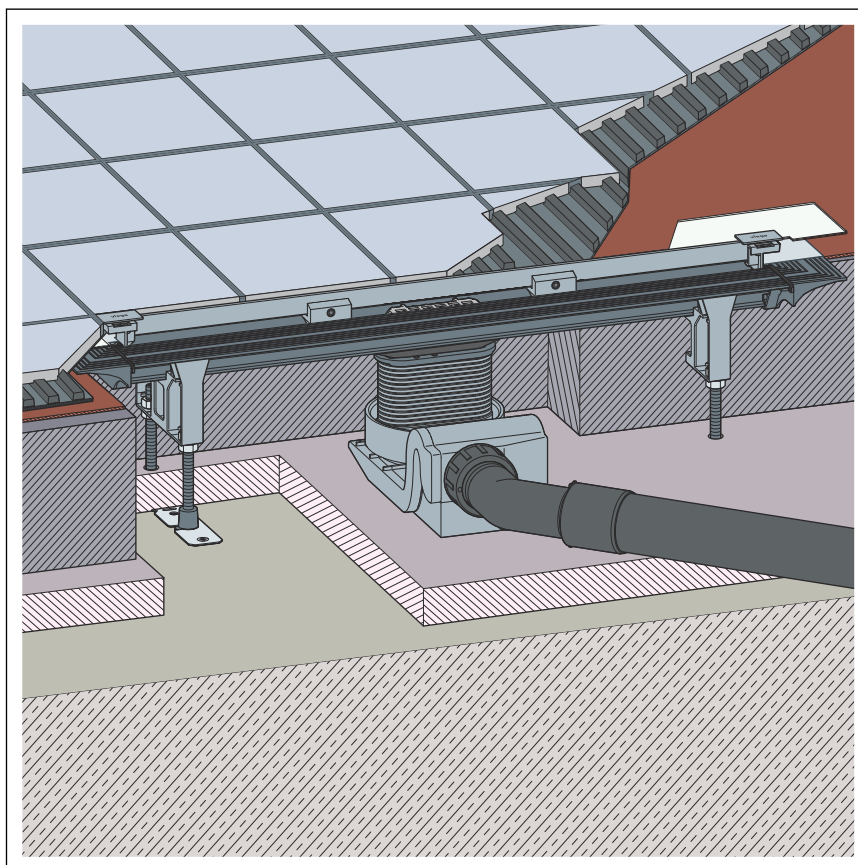


Fig. 10: Diagram of a bonded seal

Important note

Careful planning is required for sealing. In addition, depending on the individual dampness wear class and the type of foundation, a suitable thin bed bonded sealing with a building regulations certificate of suitability must be chosen.

Furthermore, the following factors should be taken into account:

- The drain or shower channel must be equipped with a special flange, which has an adhesive surface and a width of at least 50 mm.
- For bridging the material change from drain to screed, either a suitable sealing collar or sealing tape designed for overlapping with the thin bed bonded sealing over a width of at least 50 mm must be used.
- The screed must be laid at a minimum incline of 1–2%.
- The installation must be carried out in acc. with the mounting instructions and the manufacturer's information.

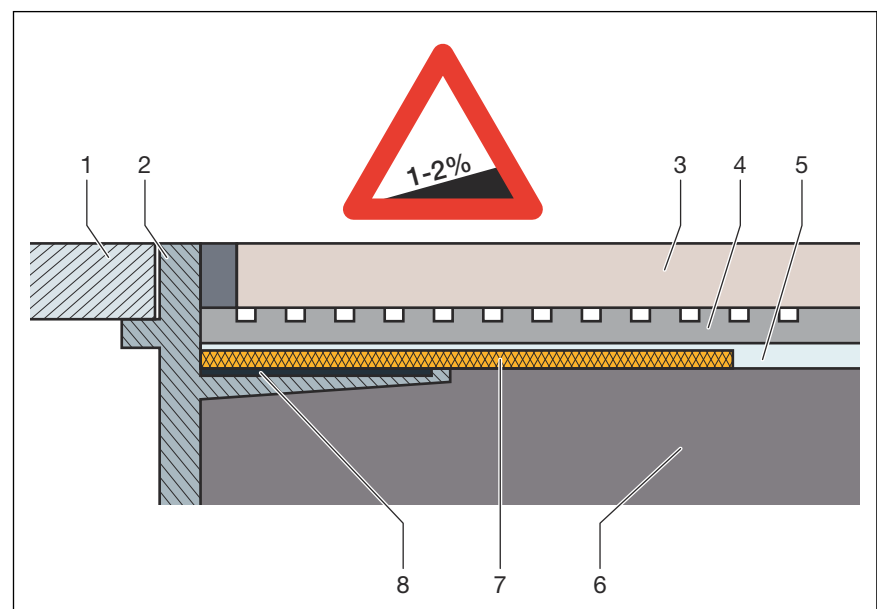


Fig. 11: Construction diagram of the bonded seal - min. screed incline 1–2 %

- 1 Grate
- 2 Top piece with adhesive flange
- 3 Tile
- 4 Tile cement
- 5 Bonded sealing
- 6 Screed
- 7 Sealing collar
- 8 Adhesive

Permitted bonded seals

In connection with suitable drains, only approved bonded sealings with proof of practicability in keeping with building law may be used. See [🔗 'Regulations from section: Sealing' on page 6.](#)

Information regarding the procedure can be found in the instructions for use of the corresponding product.

2.4.2 Fire protection

Advantix shower channels and drains can both be fitted to be fire proof. The R120 pipe lead-in can be used for this purpose in the floor construction. In this way, a fire resistance time of up to 120 minutes can be achieved.

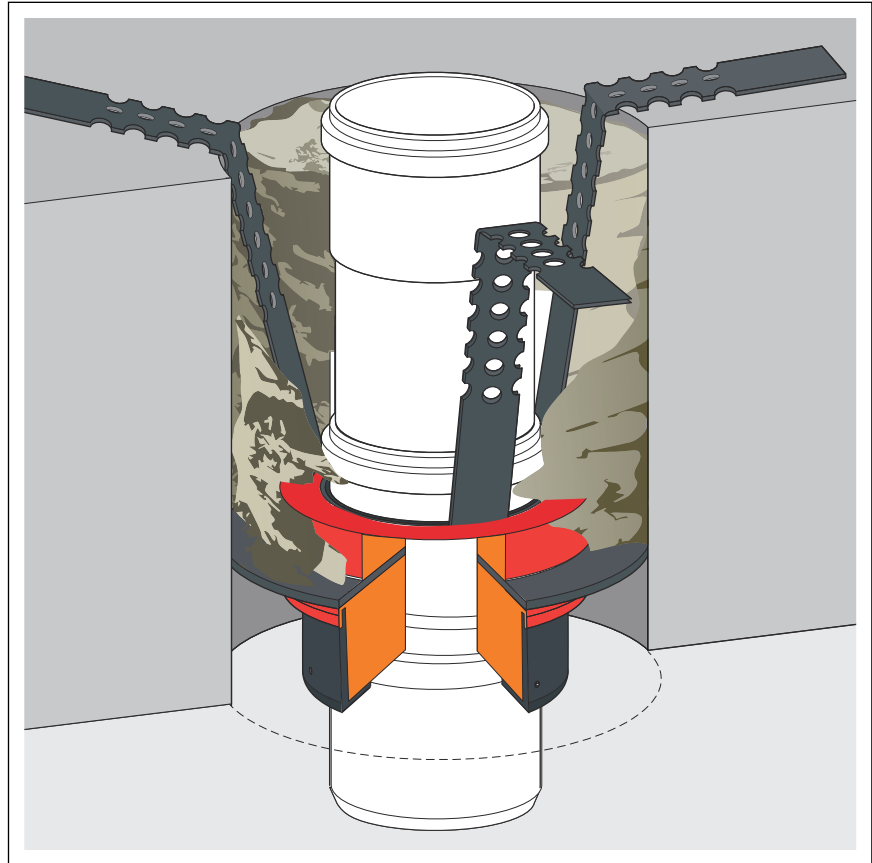


Fig. 12: Example: fire protection pipe lead-in

For mounting instructions for the R120 pipe lead-in see model 4923.5, art. no. 491 673.

2.5 Required accessories

If the basic model of the Advantix Vario shower channel is extended by additional components, the following accessories are required for the mounting of these components.

Per installed component *one* corresponding standing grate set and *one* accessory set is required. The complete range and the required information can be found in the catalogue.

3 Handling

3.1 Assembly information

3.1.1 Important note

Before assembly:

- Check if the drainage capacity of the model chosen is sufficient for the arising water volume ↪ *Chapter 2.2.3 'Drainage capacity' on page 7.*
- In the case of the connection of two or three shower channels: Observe the information for dimensioning of collective lines ↪ *Chapter 2.2.3 'Drainage capacity' on page 7.*
- An adequate level of floor covering stability must be guaranteed ↪ *Chapter 2.3.3 'Technical data' on page 14.* This can be achieved either through an adequate screed thickness or another alternative solution. Relevant measures must be considered before mounting.
- The dimensions of slots and recesses must be in compliance with the regulations from section .

During assembly:

- Observe installation dimensions.
- For barrier-free showers:
Position the shower channel in such a way that wheelchair wheels can only cross it at right angles. Viega recommends mounting the shower channel as close to the wall as possible.
- Do not use mounting adhesive older than 18 months.
- Position the shower channel in such a way that the grate is removable.

After assembly:

- The shower channel must be fully lined with mortar.
- The sealing accessories should be given to the person responsible for the bonded sealing (e.g. tiler).
- Coordinate all relevant installation details, especially regarding the bonded sealing, with those responsible for the subsequent work.

3.1.2 Tools and materials

Special tools

- Fork spanner size 13
- Hand saw (saw blade maximum 1.5 mm)
- One Allen key each of sizes 2.5 and 3
- Drill, 6 mm
- Tool for the removal of the grate (e.g. model 4965.90, art. no. 689 704)

Mounting adhesive

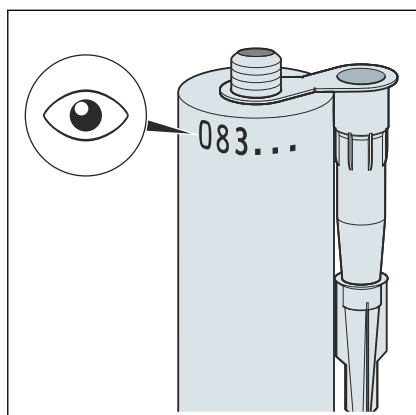


Fig. 13: Filling date of the mounting adhesive

Mounting adhesive can be used for a maximum of 18 months.

The filling date is found on the top edge of the cartridge. The first two numbers represent the month, the following number the year.

Example

083...

Filling date = August (08) 2023 (3)

3.1.3 Installation dimensions

Shower channel, basic model with *one* base unit

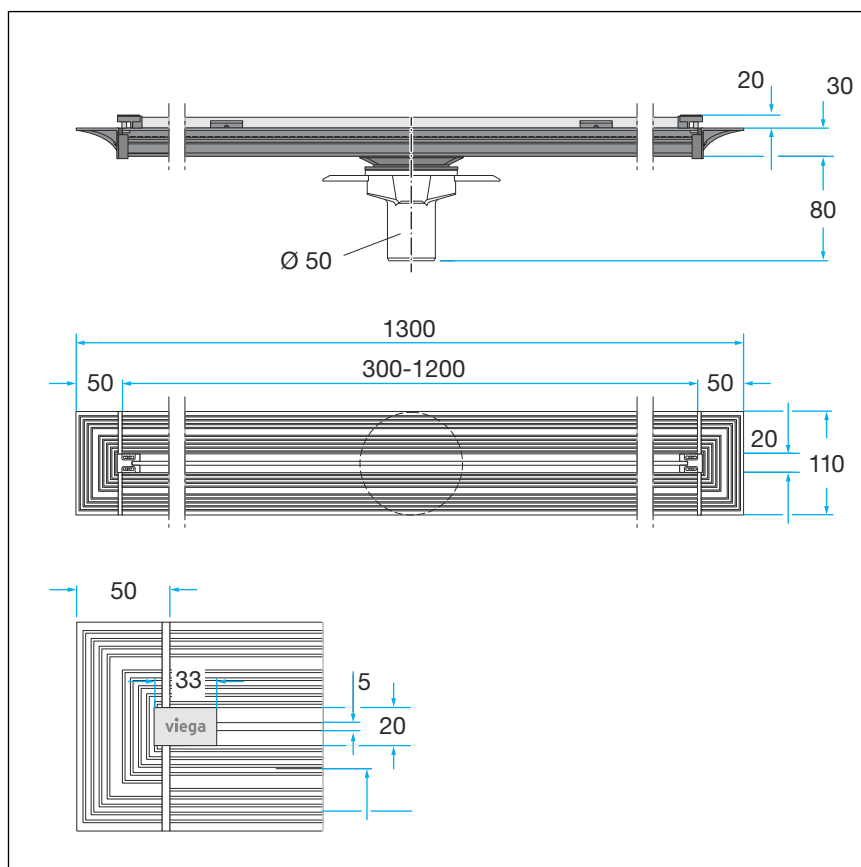


Fig. 14: Dimensions of base unit basic model

Connection piece

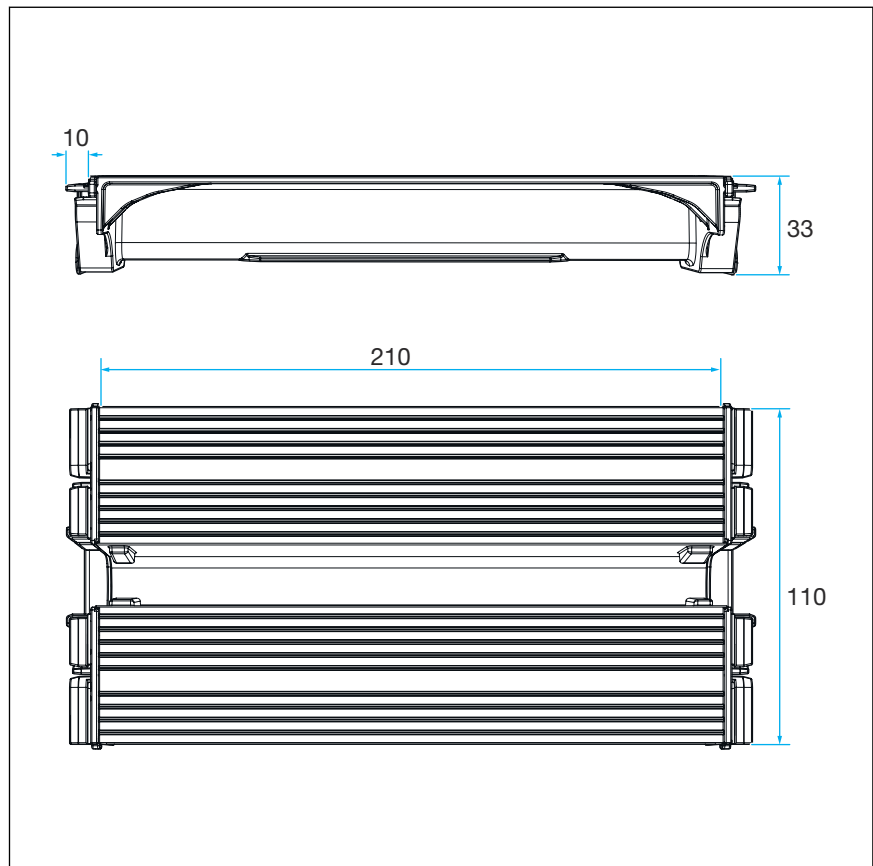


Fig. 15: Dimensions of connection piece

End closing piece

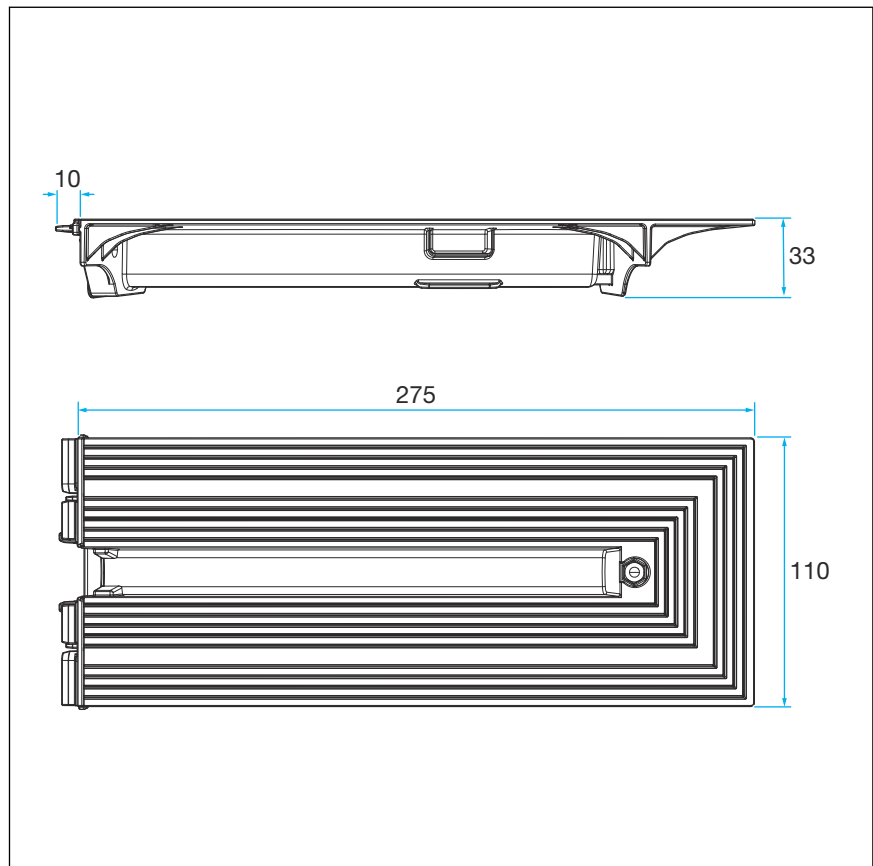


Fig. 16: Dimensions of end closing piece

connection piece 90°

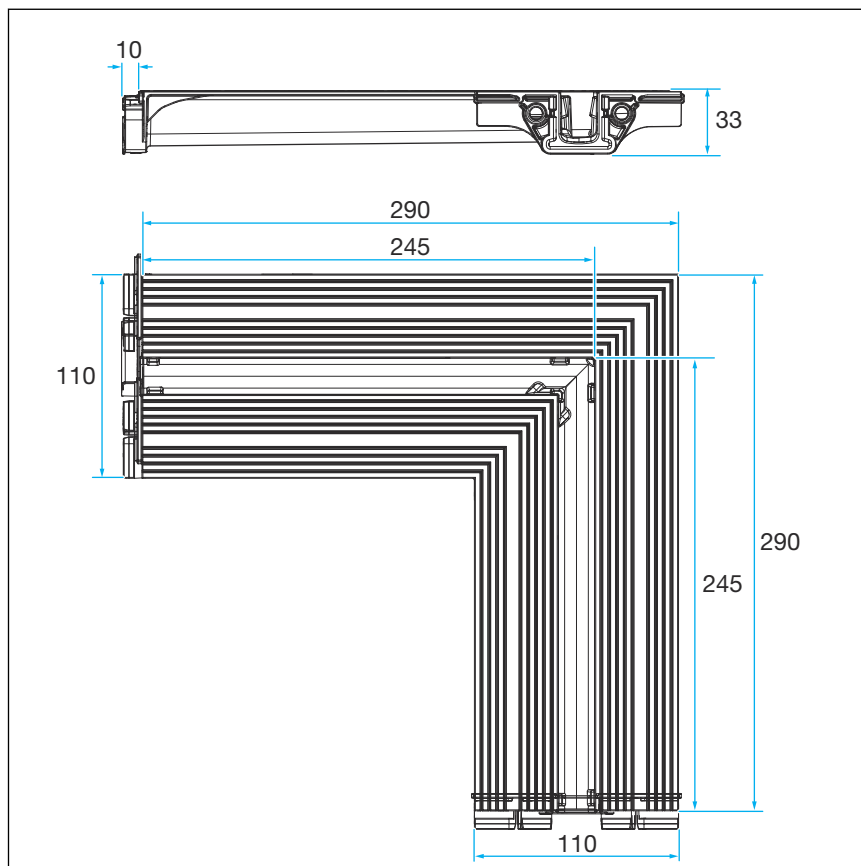


Fig. 17: Dimensions of connection piece 90°

3.1.4 Recommended procedure

The variable installation possibilities of the Advantix Vario require careful planning of the assembly steps. Viega generally recommends the following order:

1. Calculate length and cut profile to length if necessary.
2. Pre-mount all short profile parts.
3. Connect the pre-mounted parts to the desired shape.
4. Calculate height and mount feet.
5. Mount base unit and align shower channel.
6. Line the shower channel with screed and seal.
7. Tile the floor.
8. Mount the standing grate.

Description of the assembly steps, see ↗ *Chapter 3.2 'Assembly' on page 23.*

3.2 Assembly

3.2.1 Calculating the profile length in niche installation

When a shower channel is installed in a niche, it is important for the niche to be large enough to remove the grate afterwards. The exact profile length must be calculated for this. The base unit without closing caps is taken as the profile length.

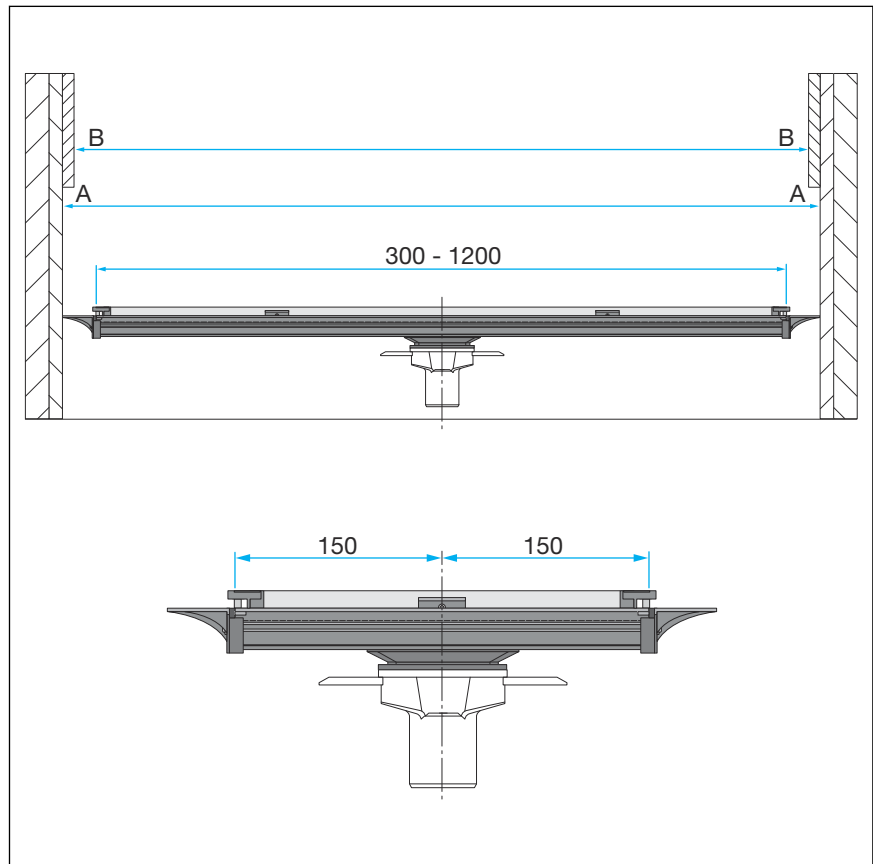


Fig. 18: Niche dimensions

A = Minimum width of the niche from plaster to plaster

B = Minimum width of the niche from tile to tile

The basis for calculating the profile length is the shower niche after plastering (see dimension A).

The length of the closing caps is subtracted from this measurement. The result is the profile length.

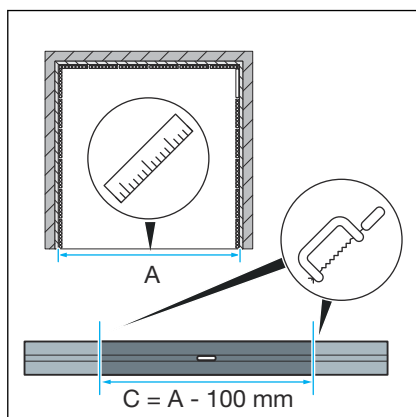
Example

1030 mm (plastered shower niche)
 -
 100 mm (2 closing caps 50 mm each)
 =
 930 mm (profile length)

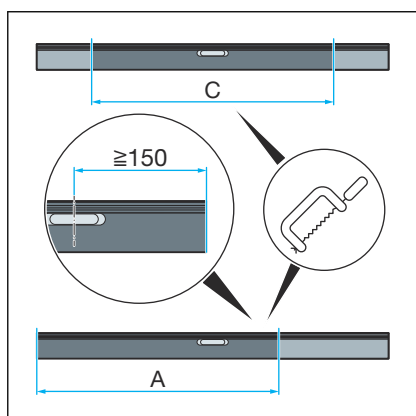
3.2.2 Shortening the profile



- If two Vario shower channels are to be joined together, one of the base units must be shortened by at least 210 mm ↪ *Chapter 3.2.2 'Shortening the profile' on page 24.*
- End closing pieces, connection pieces and connection pieces 90° must not be shortened.

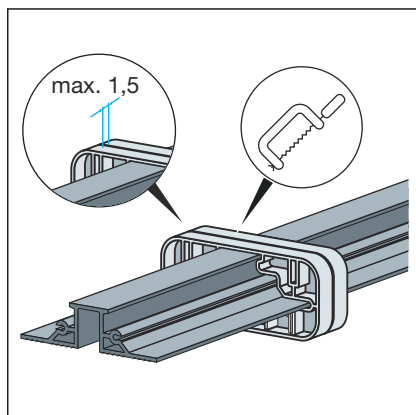


- Calculate the profile length, also see ↪ **Chapter 3.2.1 'Calculating the profile length in niche installation' on page 23.**



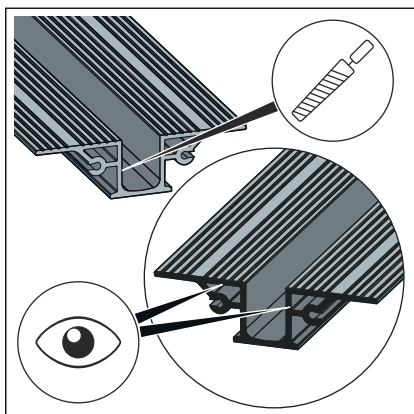
- Transfer the length of the profile onto the shower channel.

INFO! Depending on the installation situation, the shower channel can be shortened on one or both sides. The position of the drain may be chosen freely. However, the distance from the middle of the drain to the end of the profile may not be less than 150 mm.



- Shorten the profile with a hacksaw.

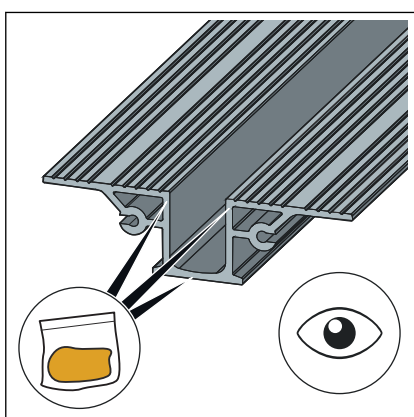
The saw blade must not be wider than 1.5 mm.



- Carefully deburr all edges.

INFO! Viega recommends using a deburrer (model 2043).

Particular attention should be paid to surfaces in contact with the seal.



- The profile must be lubricated with the enclosed grease in the area around the seal.

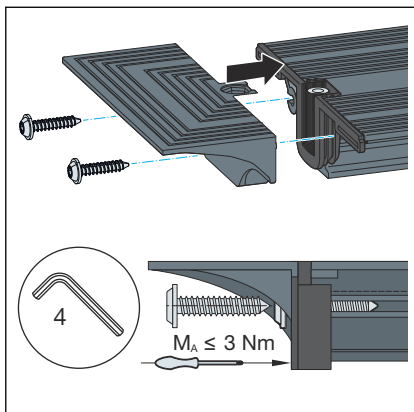
INFO! No lubricant should come into contact with the flange! Optimal adhesion of the sealing material is only ensured on a grease-free flange.

- If necessary, clean flange. Use the cleaning cloth supplied or a non-greasing cleaner, e.g. isopropanol.

You now have various possibilities:

- Mount the closing caps and base units. ↪ *Chapter 3.2.3 'Mounting the closing caps on base unit' on page 26*
- Mount the extending parts. ↪ *Chapter 3.2.4 'Pre-mounting extending parts' on page 26*

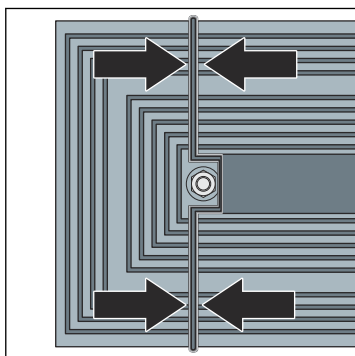
3.2.3 Mounting the closing caps on base unit



➤ Screw the closing cap straight onto the profile.

When using a cordless screwdriver, make the last few turns by hand.

Tighten the screws hand-tight only!



□ The closing cap is properly mounted when the seal is **slightly** pushed together.

You must now calculate the height and align the shower channel
 ↪ *Chapter 3.2.5 'Determine height' on page 29.*

3.2.4 Pre-mounting extending parts

Pre-assemble all extending parts. Next, connect the pre-assembled units to the base unit.

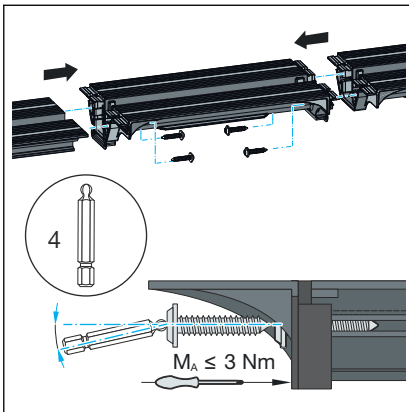


NOTICE!
Risk of breakage when lifting

Do not lift or twist the pre-assembled units on one side.

- In the case of L and U designs, lift the sides at the same time.

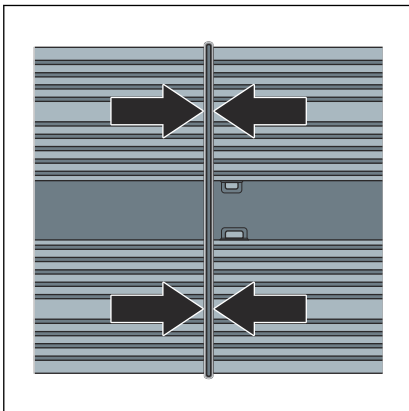
Mounting the connection piece



- Screw the connector straight onto the profile.

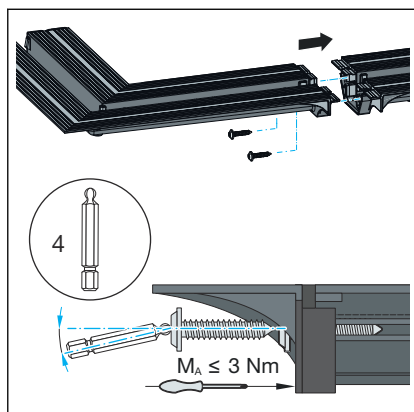
When using a cordless screwdriver, make the last few turns by hand.

Only tighten screws hand-tight!



- The connector is properly mounted when the seal is **slightly** pushed together.

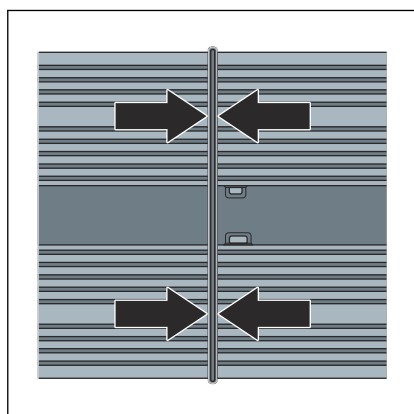
Mounting the connection piece 90°



- Screw the connection piece 90° onto the profile straight.

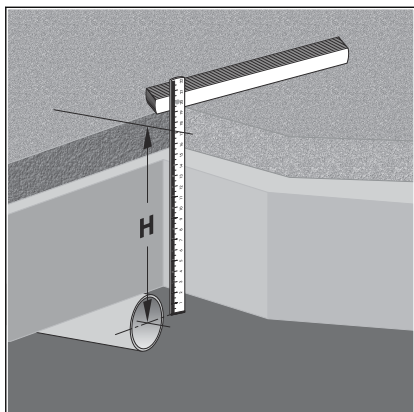
When using a cordless screwdriver, make the last few turns by hand.

Tighten the screws hand-tight only!

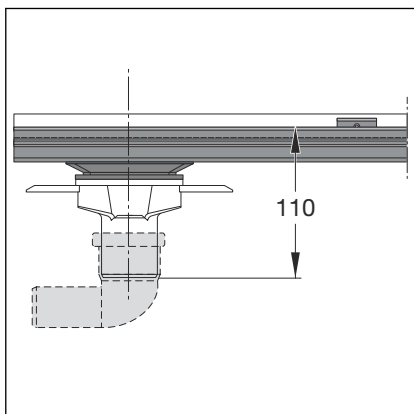


- The 90° connector is properly mounted when the seal is **slightly** pushed together.

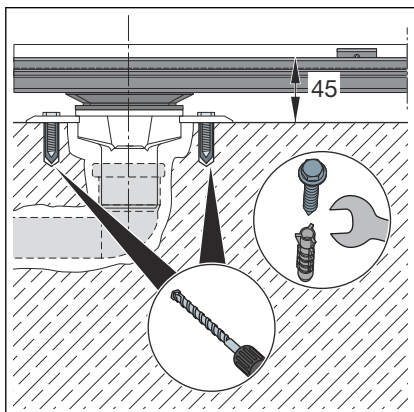
3.2.5 Determine height



► Determine installation height (H).

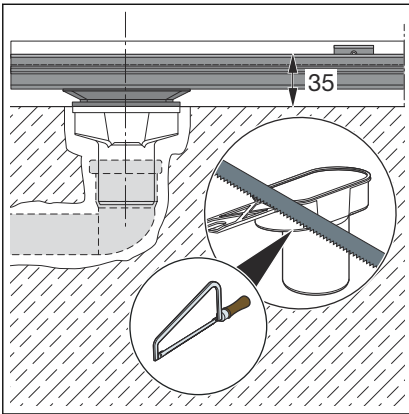


The installation height from the upper edge of the flange to the lower edge of the drain is 110 mm.



The drain can be prevented from slipping by means of the lateral fixing lugs.


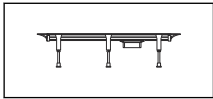
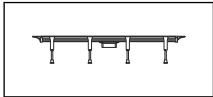
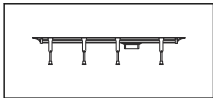
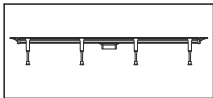
With the lateral fixing lugs, the installation height from the upper edge of the concrete to the upper edge of the shower channel flange is 45 mm.



By removing the lateral fixing lugs, the installation height can be reduced to 35 mm.

3.2.6 Mounting feet and drain socket

► Calculate the number of feet required with the table.

Shower channel length	Number of feet	Spacing
30–60 cm	2	
60–90 cm	3	
60–90 cm	4	
90–120 cm	4	
90–120 cm	4	

The following applies for mounting the feet:

- The maximum permissible distance between two feet is 400 mm.
- The maximum permissible distance between a foot and a fixing point of two parts is 100 mm.
A fixing point is the point where two components are screwed together.
- *During the mounting of connection pieces 90°:*
An additional foot must be mounted below the corner angle.

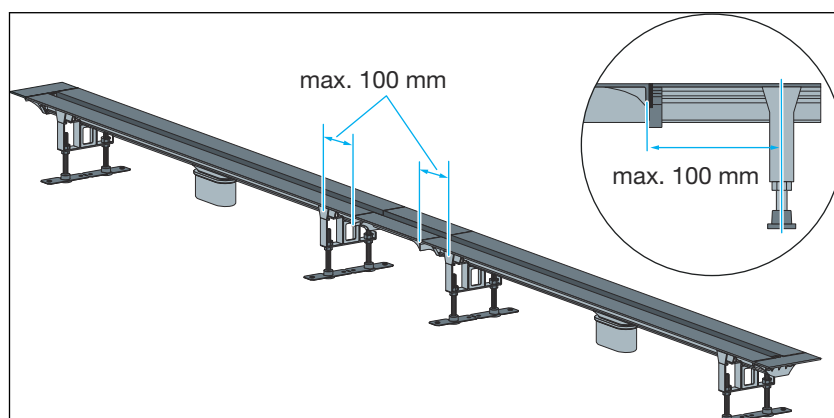


Fig. 19: Distance between fixing point and foot = max. 100 mm

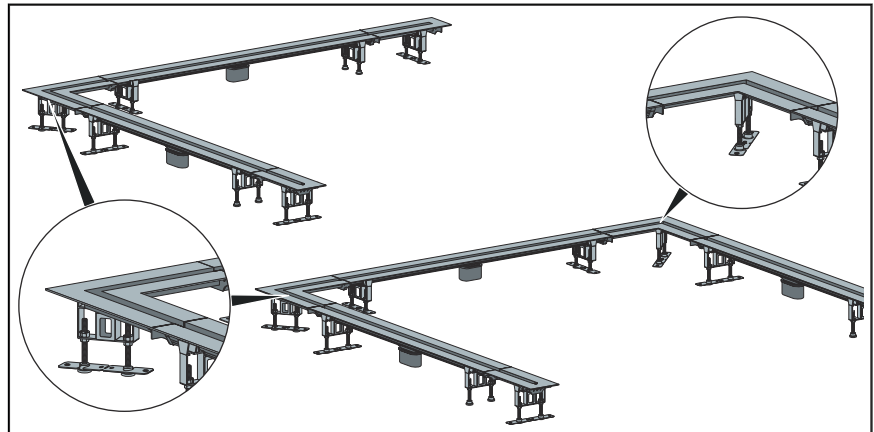
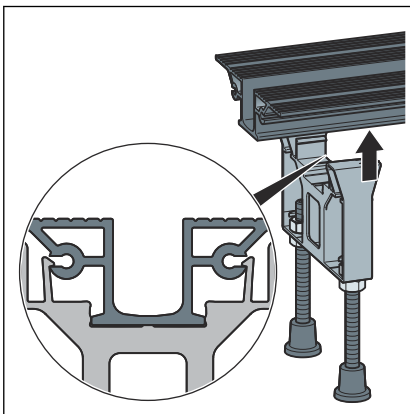


Fig. 20: When the 90° connector is used, an additional foot must be mounted below the corner angle.

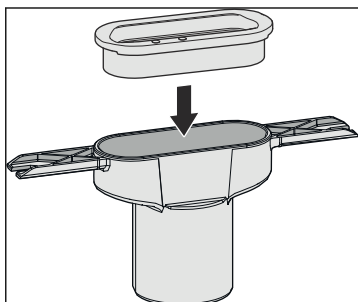
- Position the foot and push the profile into place.



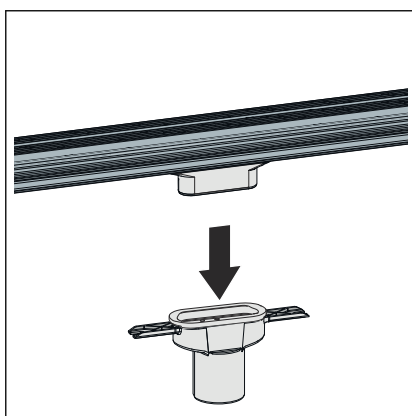
Connecting the drain socket

NOTICE! Risk of breakage! The shower channel can break when lifted on one side or twisted.

- Lift the shower channel straight up.
- In the case of L and U designs, lift the sides at the same time.

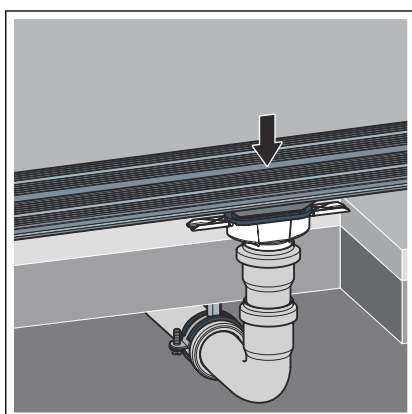


- Lubricate the seal inside and outside.
- Insert the seal.



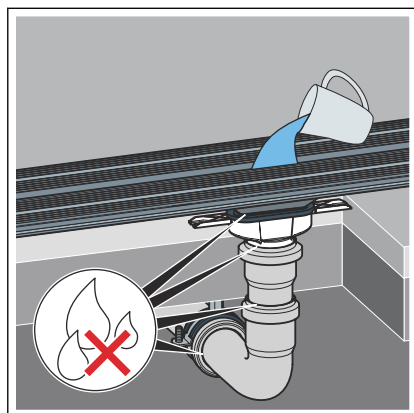
INFO! The drain can be fixed in the concrete ceiling using the fixing lugs on the side.

- Push the shower channel with drain socket into the drain as far as it will go.

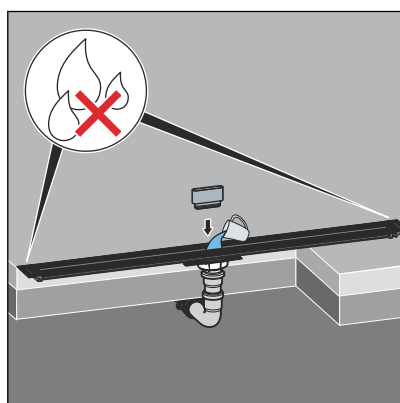


- Insert the drain completely into the drainpipe.
- If the drain has not been fixed in the concrete ceiling, secure the drain against slipping out with a pipe clamp.

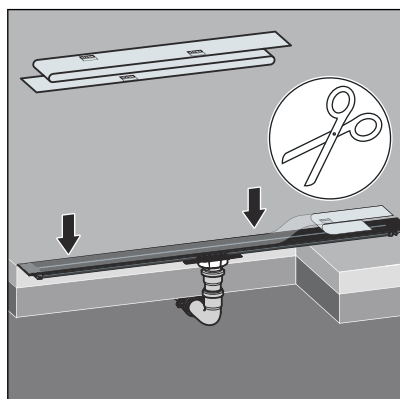
3.2.7 Preparing for further work



- Support the shower channel with pressure-resistant material.
- Fill the shower channel with water.
- Check the drain casing and the pipe for leak tightness.



- Insert the test adapter into the drain hole of the shower channel.
- Fill the shower channel up to just below the flange with water.
- Check the end closing piece for leak tightness.
- Remove the test adapter.



- If necessary, shorten the protective cover and stick onto the flange. Completely cover the closing caps with protective cover.

Lining with screed



NOTICE! Product damage due to improper installation

If cavities form during the lining of the shower channel, leaks may occur when pressure is applied.

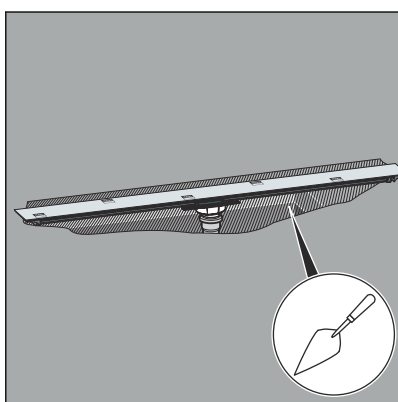
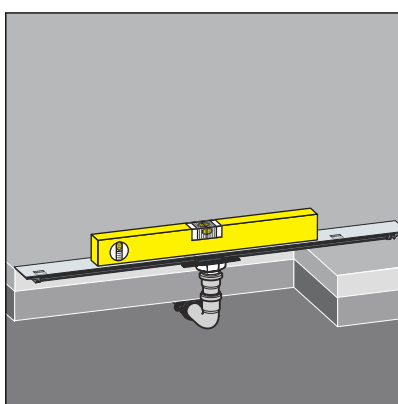
Inform the subsequent workers that the shower channel must be fully lined and that there must be no cavities generated.

Requirements:

- The flange must be coated with protective cover.

INFO! Screed and floor tiles must be laid at an incline of 1–2 % in the direction of the shower channel.

- Line shower channel at the ends and align horizontally.

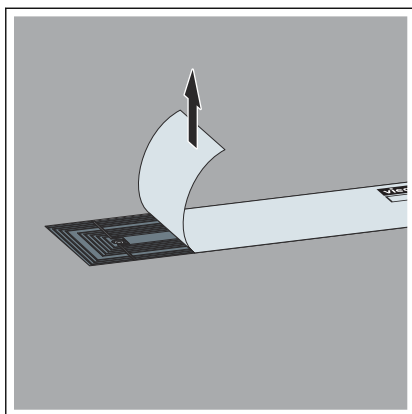


- Line the shower channel fully with screed up to the upper edge of the flange.

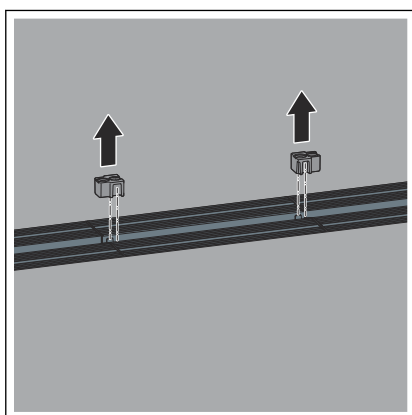
3.2.8 Sealing the shower channel



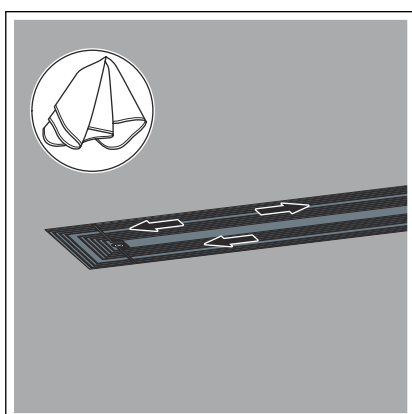
The screed and floor tiles must be laid at an incline of 1–2 % in the direction of the shower channel.



➤ Remove the protective cover.

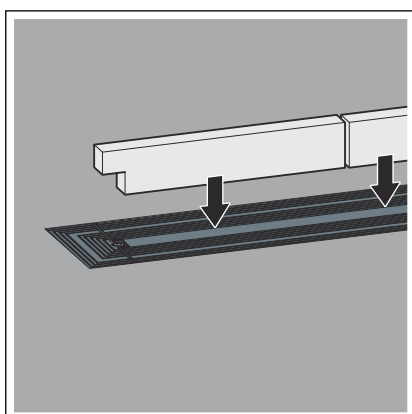


➤ Remove the spacers when using extension pieces.

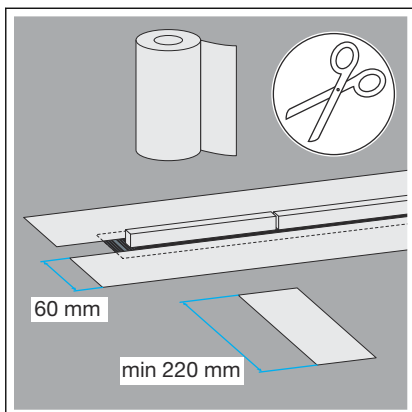


➤ If necessary, clean flange.

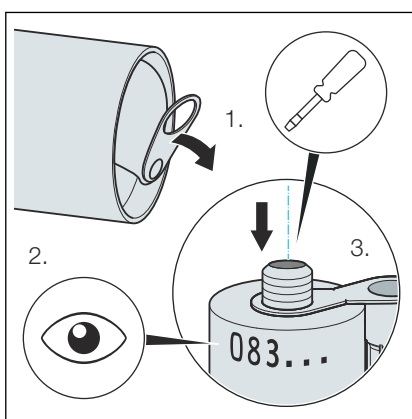
INFO! Use the cleaning cloth supplied or a non-greasing cleaner, e.g., isopropanol.



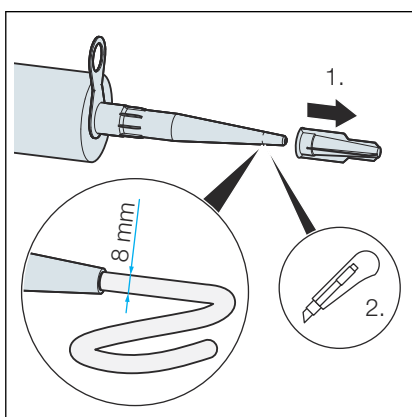
➤ Cut the protective insert to size and insert.



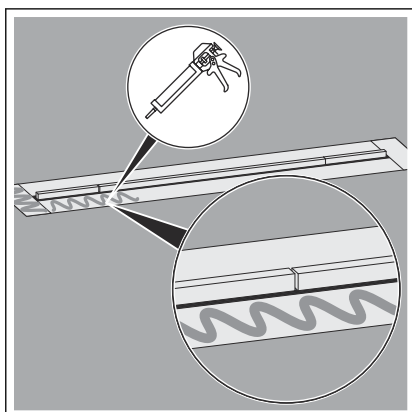
- Cut the sealing tape strips generously.
- The sealing tape strips should overlap when stuck on.



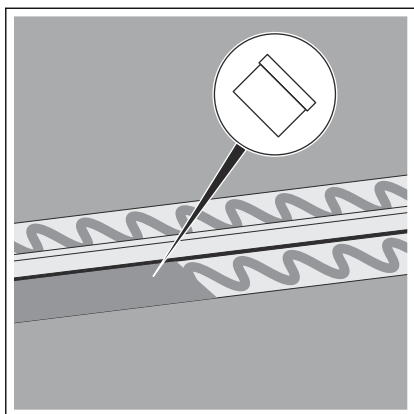
- Check the expiry date on the cartridge, see .
- Open the aluminium cover at the end of the cartridge, and lift.
- Fully pierce the membrane in the thread of the cartridge.



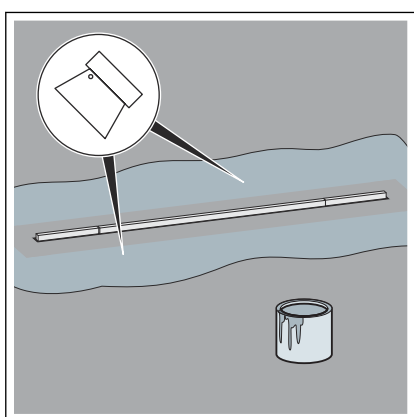
- Screw the nozzle on.
- Cut the nozzle so that the opening is approx. 8 mm wide.



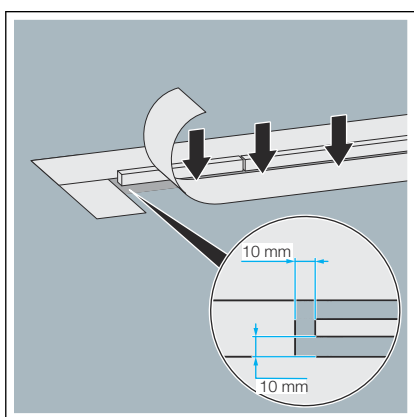
- Apply mounting adhesive in curves.
- Observe the shelf life of the mounting adhesive, see ↗ **'Mounting adhesive'** on page 19.



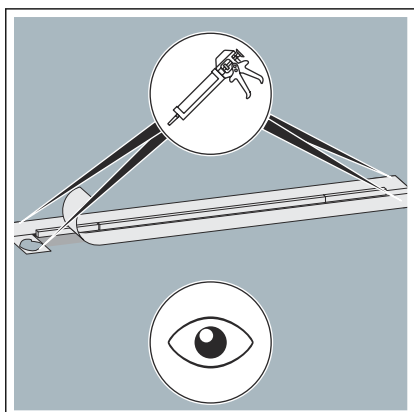
- Distribute the mounting adhesive evenly using a smooth spatula.



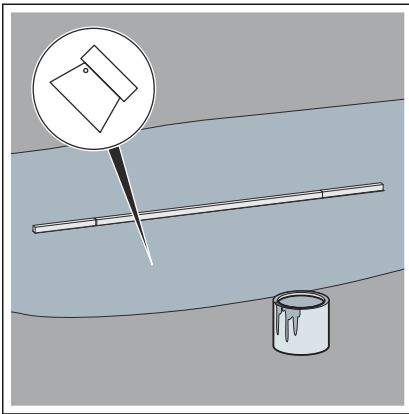
- Apply the first layer of bonded sealing generously onto the screed. Observe the bonded sealing manufacturer's instructions for use.



- Press the sealing tape strips firmly onto the mounting adhesive and bonded sealing. In doing so, leave approx. 10 mm to the protective insert uncovered.



- Place the sealing tape strips on the flange in such a way that flange and screed are evenly covered. Overlap the corners in the process.
- Stick the overlapping strips together at the corners with mounting adhesive.
- Thoroughly press the adhesive joints together with a roller.

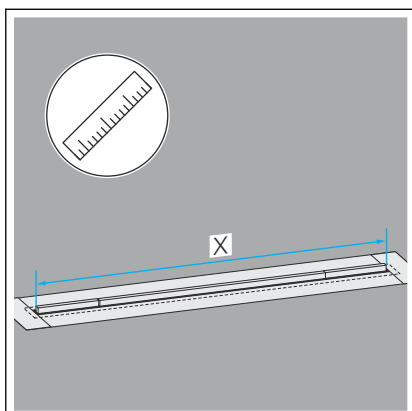


- Let the adhesive dry for approx. 4 hours.
- Apply the second layer of bonded sealing generously onto the sealing tape strips and the screed.

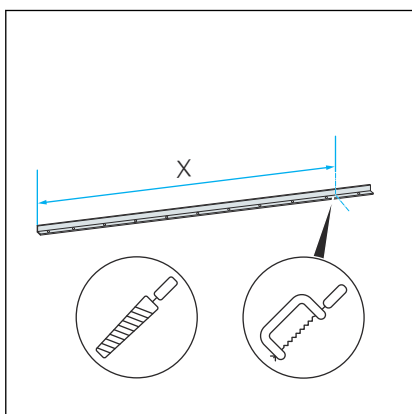
If no cover trim is to be fitted, the floor can be tiled.

Further see [↗ further information on page 43.](#)

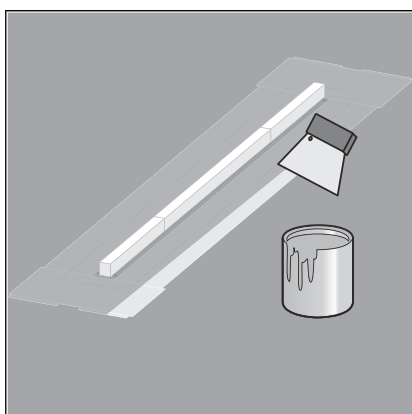
Mounting with tile end rail



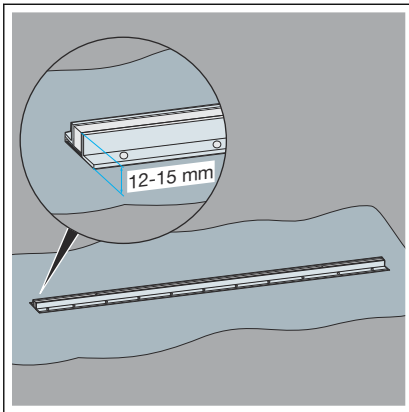
- Measure the length X between the ends of the hard foam block.



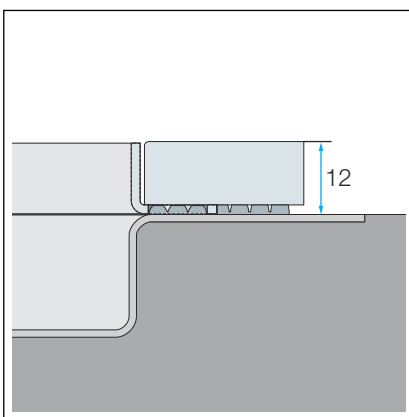
- Cut the tile end rail to the length X.
- Deburr edges that were cut.



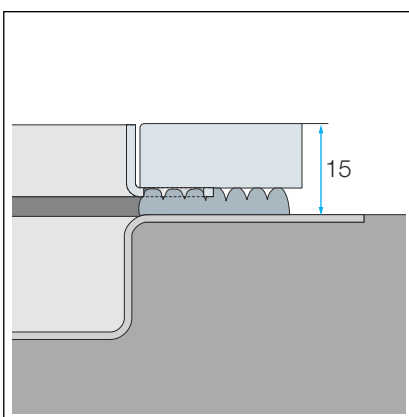
- Apply the tile adhesive.



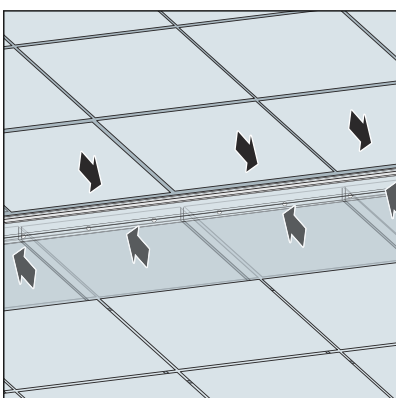
- ▶ Glue the tile end rail in a straight line at the protective insert.
 The tile end rail must extend up to the protective insert at both ends.



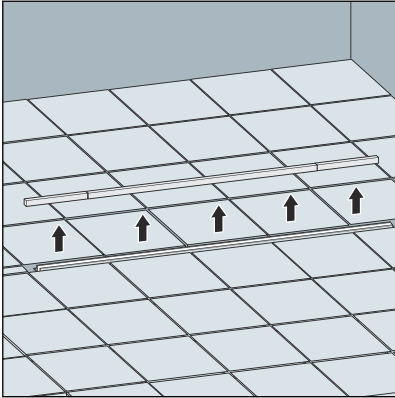
- ▶ Mounting height 12 mm: Press the tile end rail down into the tile adhesive as far as it will go.



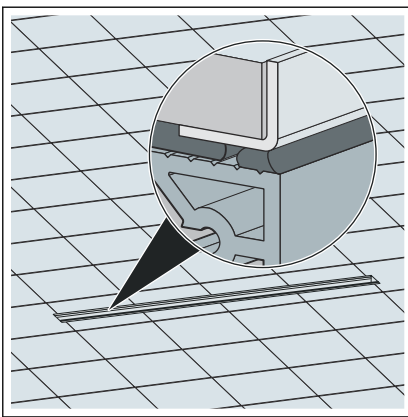
- ▶ Mounting height 15 mm: Set the tile end rail onto a tile adhesive bed of a thickness of max. 3 mm.



- ▶ Lay the tiles so that they touch the tile end rail.

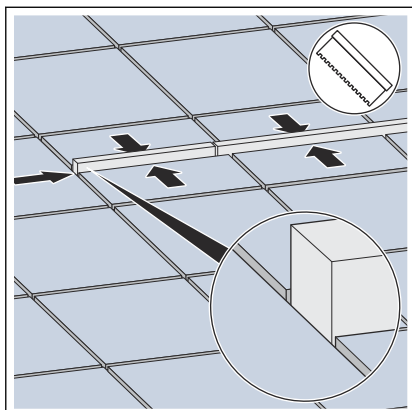


► Remove the protective insert.

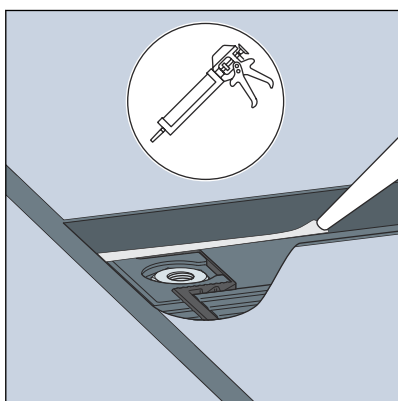


► If a gap has formed at the inside of the shower channel, seal it with tile adhesive or joint filler.

Mounting without tile end rail



- Stick the tiles right up to the protective insert.



- Connect the tile edge onto the channel side with tile adhesive or joint filler.

Thus no water can get under the floor covering during showering.

INFO! To ensure that penetrating dampness in the channel area can dry off, the joint edges must be sealed with tile adhesive or joint filler. This is particularly important when there are a large number of joints, e.g., with mosaic tiles.

- The shower channel is installed and the tile edge can be polished.



CAUTION!

Avoid sharp edges in the following places in the barefoot area:

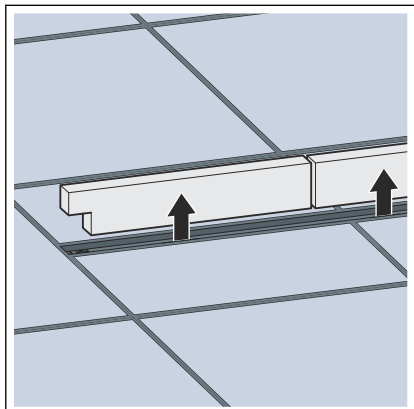
- on tiles
- On cover trims
- on mounting profiles

Optionally, you can now insert the sieve, see [Chapter 3.2.9 'Inserting the sieve'](#) on page 44.

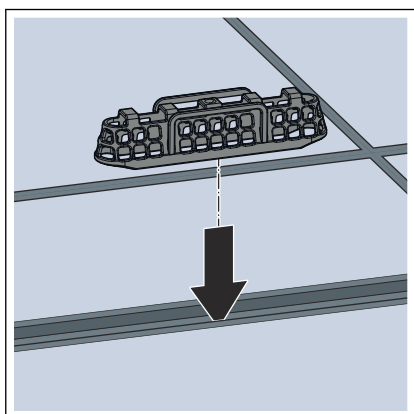
Finally, a standing grate must be mounted, see [Chapter 3.2.10 'Mounting the standing grate'](#) on page 44. See the catalogue for suitable standing grates.

3.2.9 Inserting the sieve

Optionally, a sieve can be inserted. When the sieve is used, the drainage capacity decreases by 0.05 l/s per drain.



➤ Remove the protective insert.



➤ Insert the sieve above the drain in the channel gap.

Finally, install a standing grate.

3.2.10 Mounting the standing grate

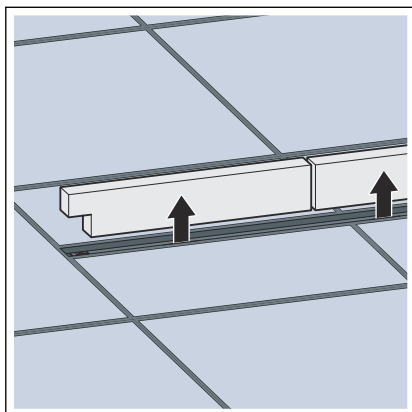
Note regarding accessories

The total length of the shower channel increases if the basic model of the Vario shower channel is extended with other parts. In this case, the relevant accessory must be mounted for every extra part.

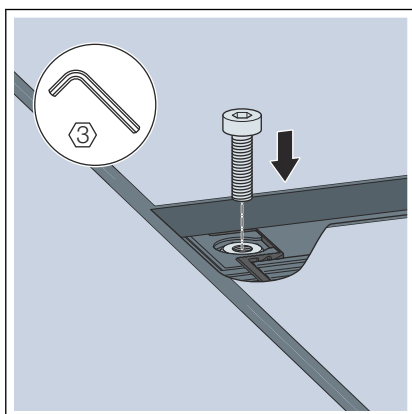
Assembly steps



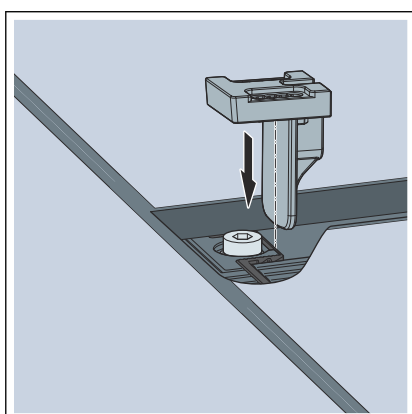
For natural stone coverings, ensure the correct height and use the mounting material from the accessory set for natural stone coverings.



➤ Remove the protective insert.



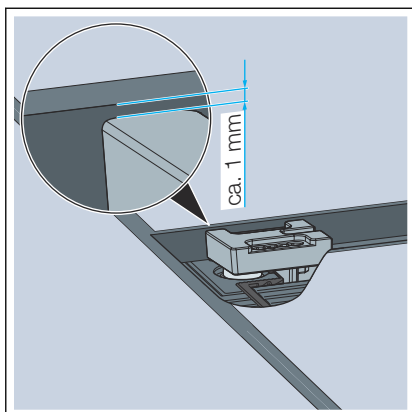
➤ Insert the screw.



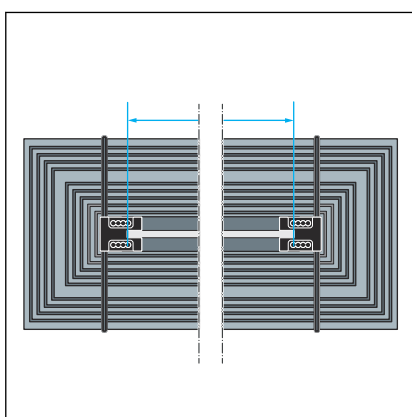
➤ Place the standing grate holder on the screw and adjust it to the tile height.

The maximum height of the standing grate is 20 mm above the flange.

When the natural stone set is used, the maximum height of the standing grate is 30 mm above the flange.

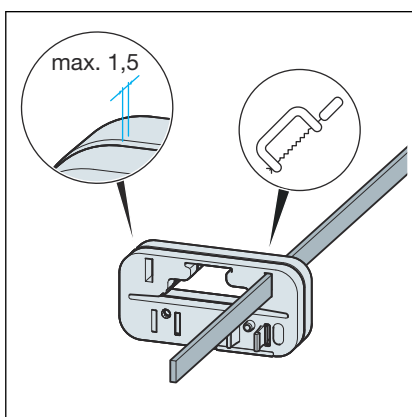


The upper edge of the standing grate holder must be approx. 1 mm below the upper edge of the tiles.



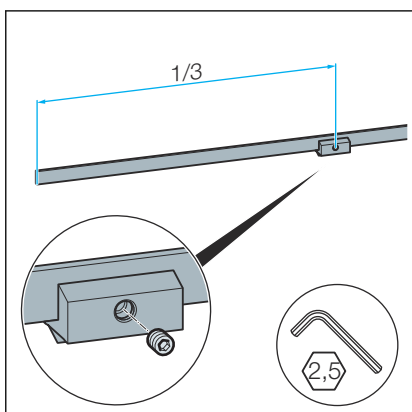
► Determine the length of the standing grate.

INFO! Use the standing grate with a length of 200 mm for end closing pieces and 90° connectors.



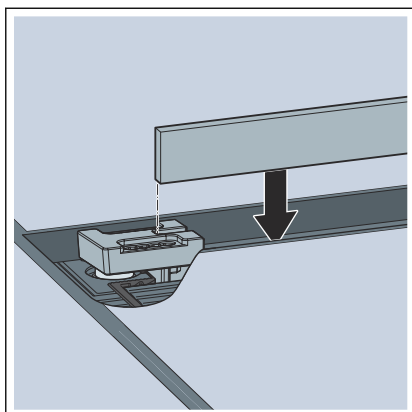
► If required, shorten the standing grate with a handsaw and deburr. Do not use a circular saw or angle grinder.

NOTICE! The standing grate with a length of 200 mm must not be shortened!

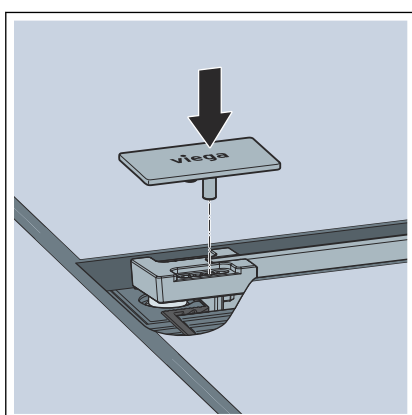


► Fasten the standing grate support to the standing grate.

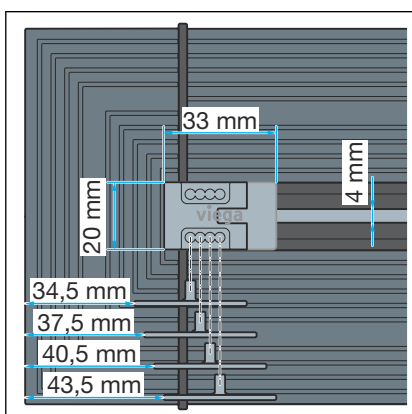
Distribute the standing grate supports so that there is a standing grate support fitted after each third of the standing grate.



► Insert the standing grate.



► Press the cover caps on.



The cover caps can be moved by up to 9 mm (see fig.).

3.3 Care

3.3.1 Care tips

Normal soap or a mild cleaning agent can be used for regular maintenance and prevention of lime scale on the grate and frame. Use no scouring agent or abrasive objects.

Strong stains, even around the drain unit and the odour trap, can be removed using typical household cleaner. Rinse the detergent very thoroughly with clear water after the prescribed dwell time. There should be no residue on the components.

3.3.2 Cleaning

Viega recommends using a mild cleaning agent, a cloth and a washing-up brush for cleaning.

3.4 Disposal

Separate the product and packaging materials (e. g. paper, metal, plastic or non-ferrous metals) and dispose of in accordance with valid national legal requirements.



Viega GmbH & Co. KG
service-technik@viega.de
viega.com

INT • 2023-11 • VPN220471

