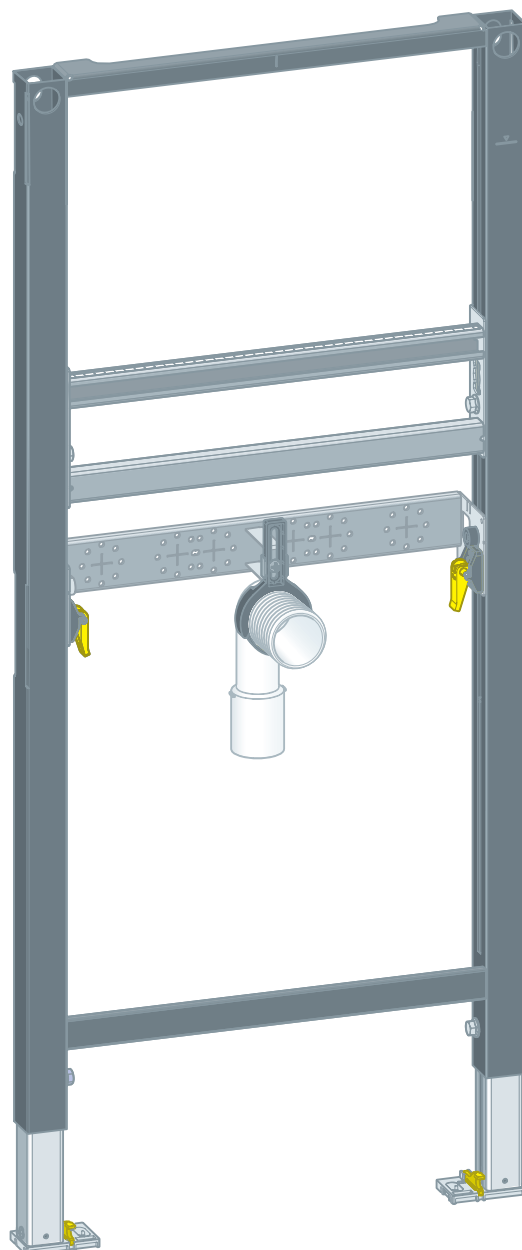


## Instructions for Use

# Prevista Dry washbasin element



for WB with single-hole fitting

**Model**  
8535

**Year built (from)**  
03/2019

# Table of contents

<b>1</b>	<b>About these instructions for use</b>	<b>3</b>
	1.1 Target groups	3
	1.2 Labelling of notes	3
	1.3 About this translated version	4
<b>2</b>	<b>Product information</b>	<b>5</b>
	2.1 Standards and regulations	5
	2.2 Intended use	5
	2.2.1 Areas of application	5
	2.3 Product description	6
	2.3.1 Overview	6
	2.3.2 Compatible components	6
	2.3.3 Technical data	7
	2.4 Accessories	8
<b>3</b>	<b>Handling</b>	<b>9</b>
	3.1 Assembly information	9
	3.1.1 Mounting conditions	9
	3.1.2 Installation dimensions	10
	3.2 Assembly	10
	3.2.1 Mounting the element	10
	3.2.2 Set and clad the element	17
	3.3 Disposal	19

# 1 About these instructions for use

Trade mark rights exist for this document; for further information, go to [viega.com/legal](http://viega.com/legal).

## 1.1 Target groups

The information in this instruction manual is directed at the following groups of people:

- Heating and plumbing experts and trained personnel
- Drywall builders

Individuals without the abovementioned training or qualification are not permitted to mount, install and, if required, maintain this product. This restriction does not extend to possible operating instructions.

The installation of Viega products must take place in accordance with the general rules of engineering and the Viega instructions for use.

## 1.2 Labelling of notes

Warning and advisory texts are set aside from the remainder of the text and are labelled with the relevant pictographs.



### **DANGER!**

This symbol warns of possible life-threatening injury.



### **WARNING!**

This symbol warns of possible serious injury.



### **CAUTION!**

This symbol warns of possible injury.



### **NOTICE!**

This symbol warns of possible damage to property.



This symbol gives additional information and hints.

### 1.3 About this translated version

This instruction for use contains important information about the choice of product or system, assembly and commissioning as well as intended use and, if required, maintenance measures. The information about the products, their properties and application technology are based on the current standards in Europe (e.g. EN) and/or in Germany (e.g. DIN/DVGW).

Some passages in the text may refer to technical codes in Europe/Germany. These should serve as recommendations in the absence of corresponding national regulations. The relevant national laws, standards, regulations, directives and other technical provisions take priority over the German/European directives specified in this manual: The information herein is not binding for other countries and regions; as said above, they should be understood as a recommendation.

## 2 Product information

### 2.1 Standards and regulations

The following standards and regulations apply to Germany / Europe and are provided as a support feature.

#### Regulations from section: Fields of application / Mounting conditions

Scope / Notice	Regulations applicable in Germany
Suitable masonry walls	EN 1996-1-1
Suitable concrete walls	DIN 1045
Suitable stud frames	DIN 18183

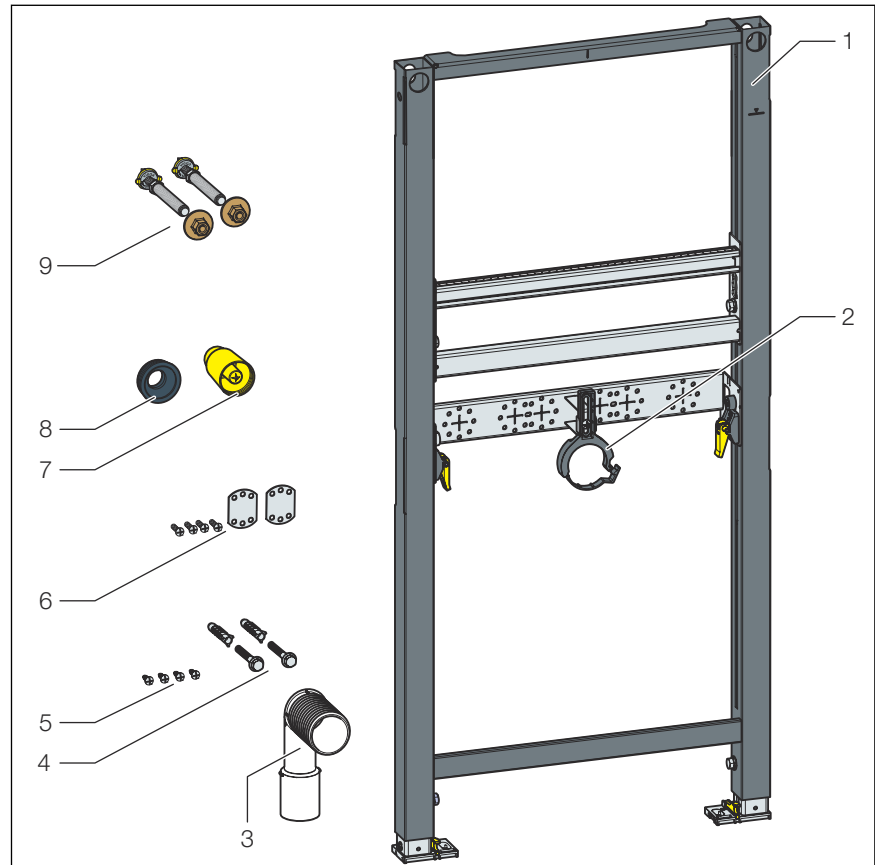
### 2.2 Intended use

#### 2.2.1 Areas of application

The Prevista Dry washbasin element is suitable for mounting on masonry wall constructions and stud frames pursuant to the regulations in section ↪ *Chapter 2.1 'Standards and regulations' on page 5* and can be used in a Prevista Dry Plus pre-wall construction.

## 2.3 Product description

### 2.3.1 Overview



**Fig. 1: Components and scope of delivery**

- 1 Washbasin element
- 2 Mounting bracket for drain elbow
- 3 Drain elbow
- 4 Screws and dowels for fixing in the floor
- 5 Screws for fixing in stud frame
- 6 Assembly accessories wall plates
- 7 Protective plug
- 8 Flushing pipe connector
- 9 Threaded rods for fixing sanitary objects

### 2.3.2 Compatible components

The washbasin element is compatible with all common washbasin ceramics, even with larger projection (barrier-free).

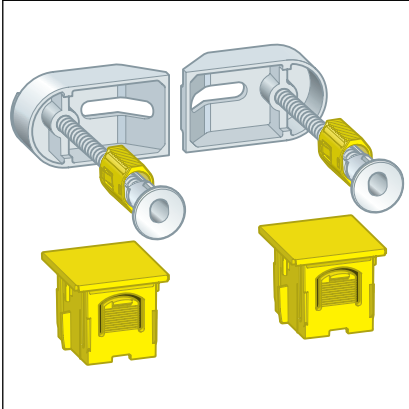
### 2.3.3 Technical data

Drain elbow (outlet side)	DN 40 / 50
Rubber nipple	DN 50 / 30
Hole diameter for fixing in wooden frame construction	11 mm
Construction height	1120 mm

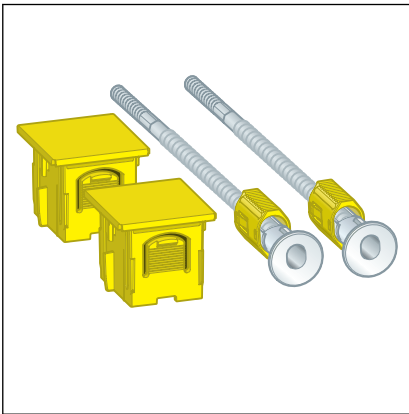
## 2.4 Accessories

For mounting, Viega recommends to use the Prevista Dry fixing set.

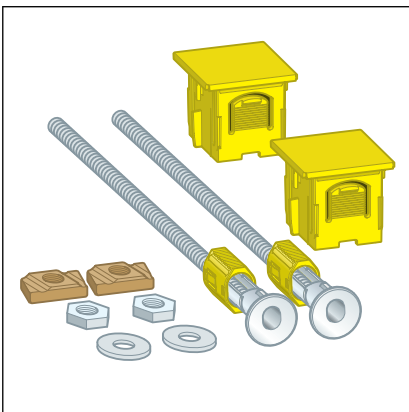
Prevista Dry fixing set model 8570.36 for fixing the Prevista Dry elements in single / line mounting, single mounting directly onto the installation body or corner mounting on masonry or steel stud frame.



Prevista Dry fixing set model 8573 for single mounting of Prevista Dry elements to the solid wall.



Prevista Dry Plus fixing set model 8570.49 for single mounting of the Prevista Dry elements in Prevista Dry Plus.






## 3 Handling

### 3.1 Assembly information

#### 3.1.1 Mounting conditions

##### Suitable walls

- Masonry walls
- Concreted walls
- Steel stud frame
- Prevista Dry Plus pre-wall constructions

The wall constructions must comply with the regulations in section  *'Regulations from section: Fields of application / Mounting conditions' on page 5.*

The washbasin element may only be mounted on even wall surfaces.

##### Construction height

With the construction height, the marked height of the upper edge of the finished floor must be observed.

### 3.1.2 Installation dimensions

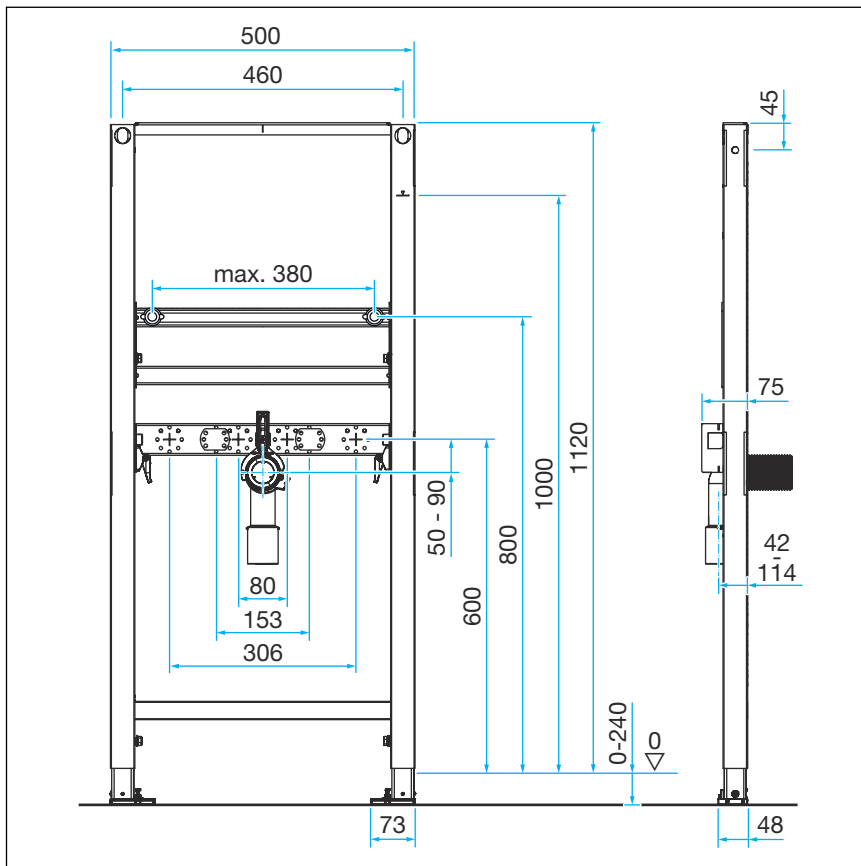


Fig. 2: Dimensions

## 3.2 Assembly

### 3.2.1 Mounting the element



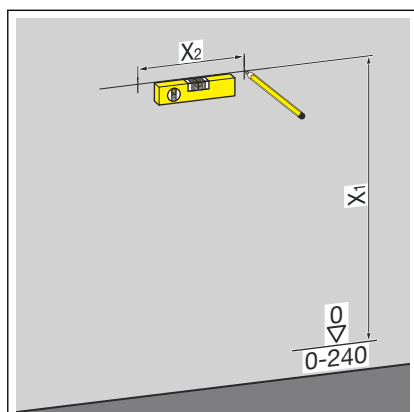
#### Masonry and concrete walls

When mounting multiple washbasin elements with an interval of > 500 mm, Viega recommends to use a Pre-vista Dry support bracket (model 8570.48). Observe the instructions for use of the support bracket when mounting.

## Mounting to a masonry or concrete wall

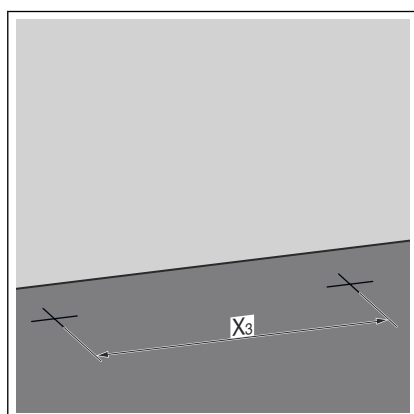


For mounting, Viega recommends to use a Prevista Dry fixing set.



- Determine and mark the fixing points.

- X1: 1100 mm
- X2: Depending on the fixing set used



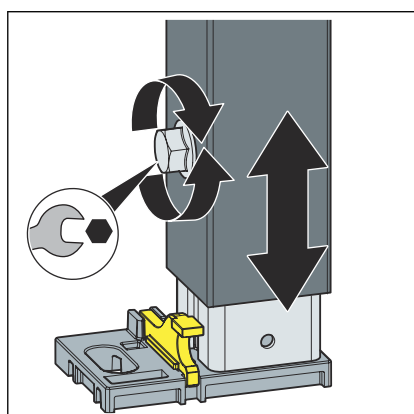
- Determine and mark the fixing points on the floor.

- X3: 375 mm

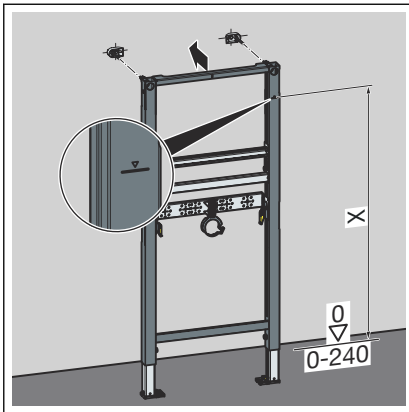
- Drill the holes.

- Insert the dowels.

**INFO!** Mount the Prevista Dry fixing set pursuant to the instructions for use for the fixing set.



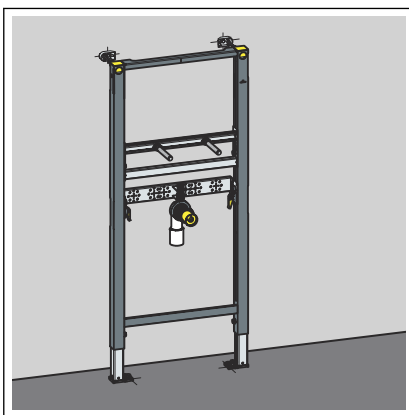
- Loosen the feet of the element using a fork spanner.



■ Adjust the construction height of the element in accordance with the on-site marking of the upper edge of the finished floor.

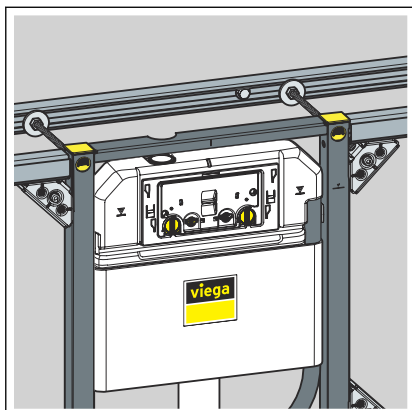
■ X: 1000 mm

■ Tighten the feet of the element using a fork spanner.



□ The element is attached to the wall.

## Mounting in Prevista Dry Plus

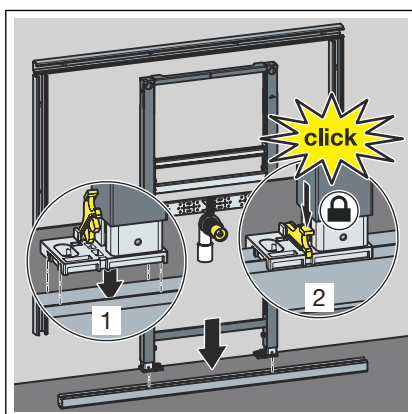


### NOTICE!

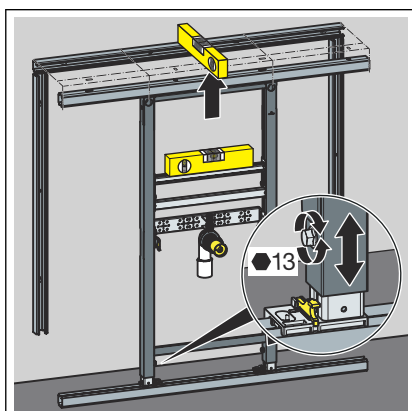
When mounting without a continuous rail above the element, the Prevista Dry Plus fixing set (model 8570.49) must also be used. See example with WC element model 8521.



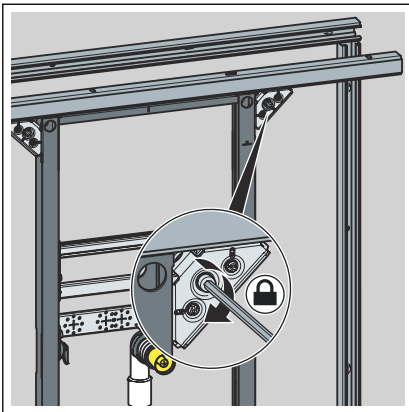
Mount the Prevista Dry Plus pre-wall construction pursuant to the instructions for use of the Prevista Dry Plus system.



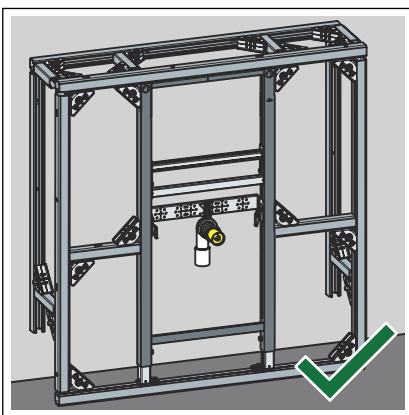
- Position the element on the floor rail.
- Fix the feet on the floor rail using the clips.



- Set the height of the element by means of the feet.

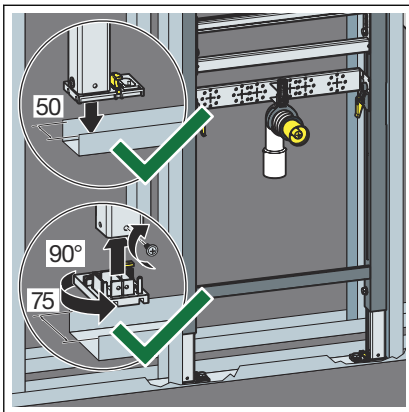


■ Fix the element with the Prevista Dry Plus rail connectors.

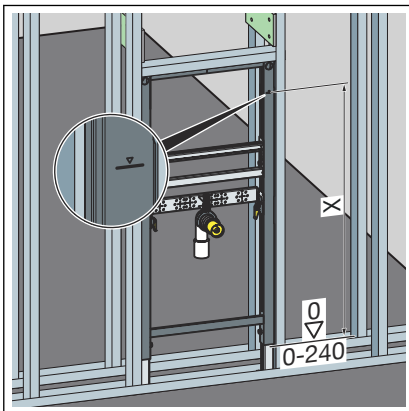


□ The element is fixed in the Prevista Dry Plus pre-wall construction.

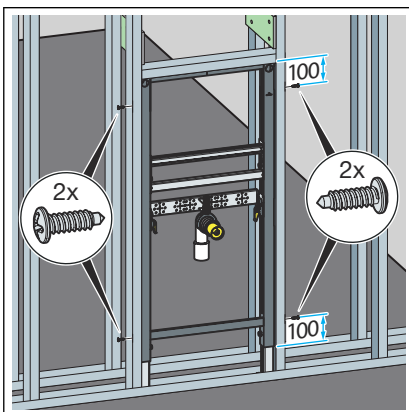
### Mounting in steel stud frame



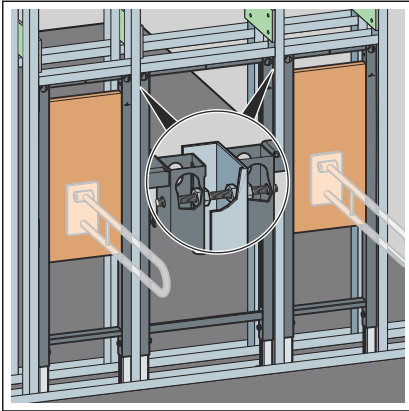
- Position the element on the floor rail.
- If necessary, adjust the foot depth from 50 mm (pre-mounted) to 75 mm.
- Pull the foot out and turn by 90°.
- Fix the feet.



- Adjust the construction height of the element in accordance with the on-site marking of the upper edge of the finished floor.
  - X: 1000 mm



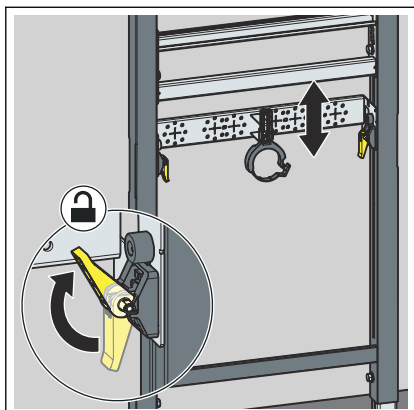
- Attach the element to the stud frame using the screws supplied.



- If applicable, connect further elements to the element via the stud frame.

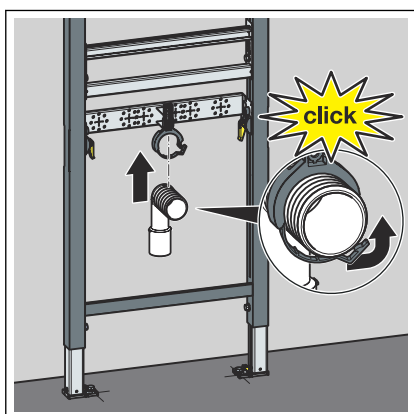


### 3.2.2 Set and clad the element

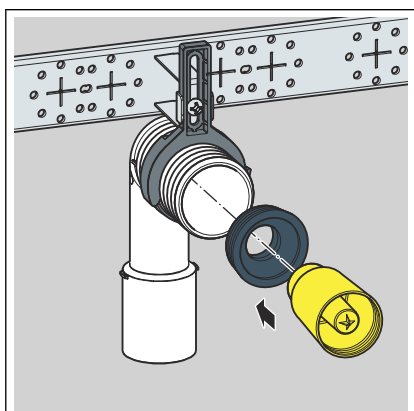


- Use the quick release to adjust the drain elbow to the desired height.

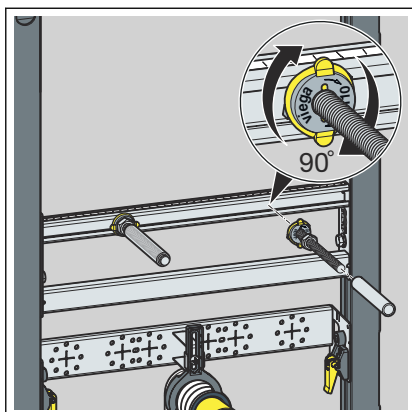
Observe the instructions of the sanitary objects manufacturer.



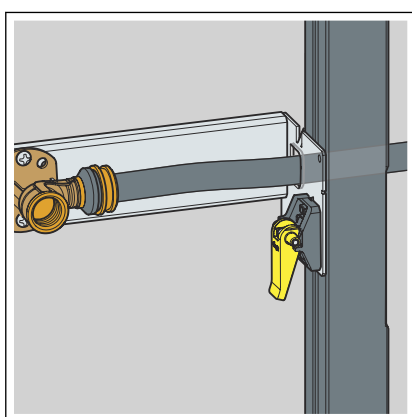
- Mount the drain elbow.



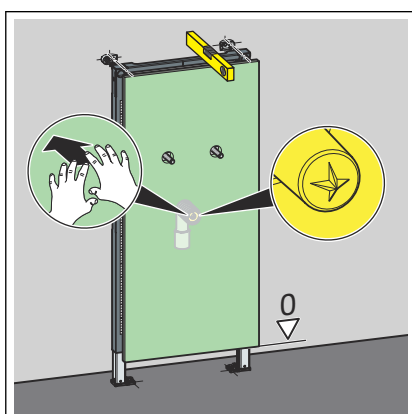
- Mount the seal and the plug.



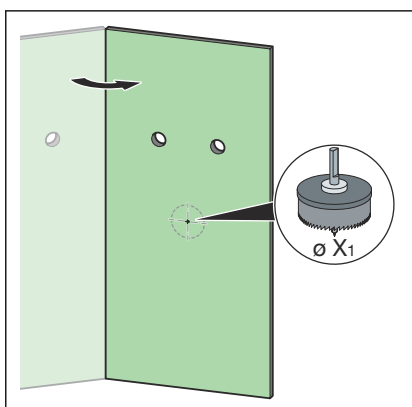
- Turn in the threaded rods by hand.
- Tighten the nuts of the threaded rods with a fork spanner.
- Place the protective caps on the threaded rods.
- Make the water connections.



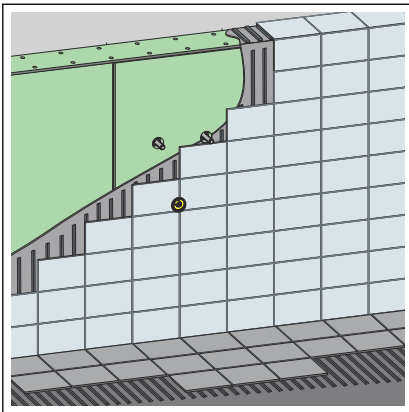
- The opening in the support can be used as an alternative bushing for plastic pipelines.  
Example with washbasin element model 8535.



- Impress a suitable plasterboard cladding panel at the plug using gentle pressure.



- Cut out the recesses for the plug and the threaded rods.
  - $X_1$ : min. 58 mm



- Clad the element with suitable plasterboard cladding panels.

### 3.3 Disposal

Separate the product and packaging materials (e. g. paper, metal, plastic or non-ferrous metals) and dispose of in accordance with valid national legal requirements.



**Viega GmbH & Co. KG**  
service-technik@viega.de  
viega.com

INT • 2022-08 • VPN210808

