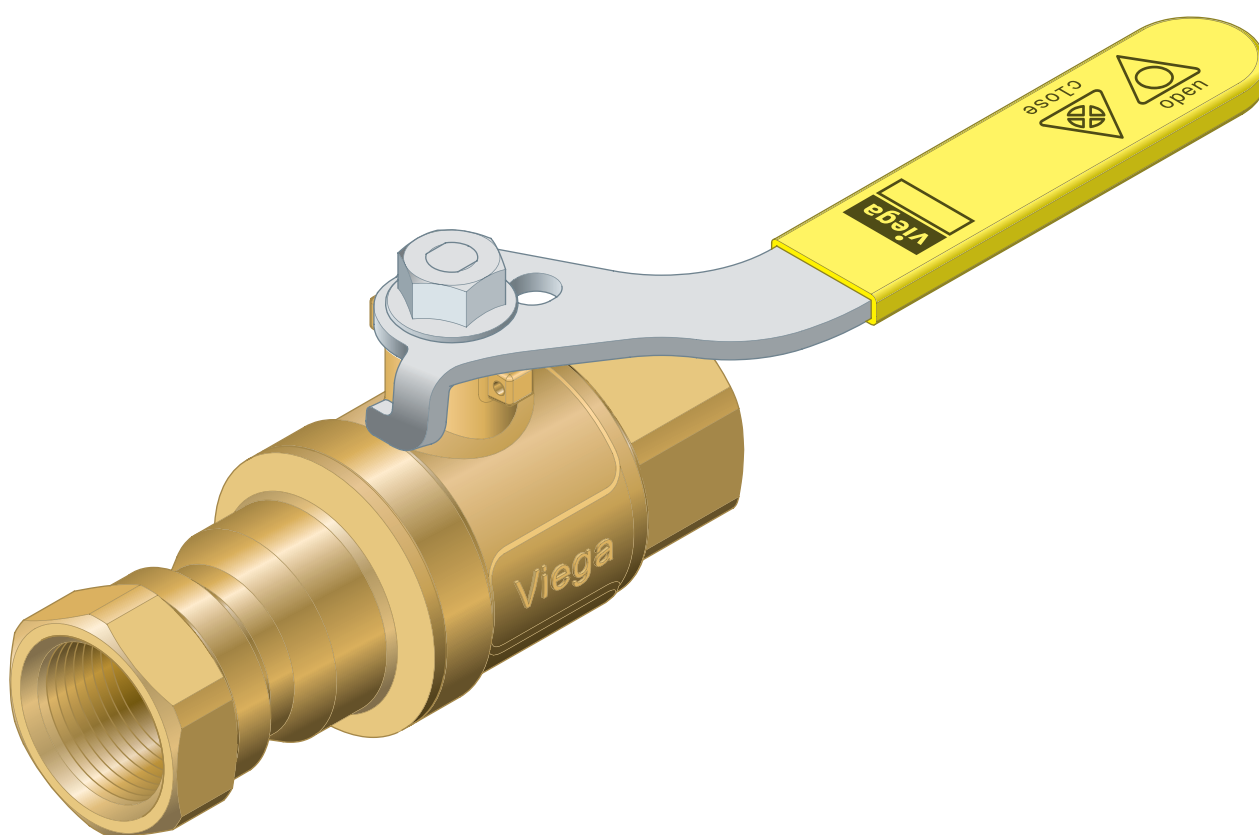


Instructions for Use

Gas ball valve with integrated thermal release shut-off system



for main shut-off valve in domestic installation, securing of heating appliances and of heaters for water for domestic use

Model
G2101T

Year built (from)
01/1990

viega

Table of contents

1	About these instructions for use	3
	1.1 Target groups	3
	1.2 Labelling of notes	3
	1.3 About this translated version	4
2	Product information	5
	2.1 Standards and regulations	5
	2.2 Intended use	7
	2.2.1 Areas of application	7
	2.2.2 Media	8
	2.3 Product description	8
	2.3.1 Overview	8
	2.3.2 Threaded connection	9
	2.3.3 Markings on components	9
	2.3.4 Compatible components	9
	2.3.5 Operating mode	10
	2.3.6 Technical data	11
	2.4 Information for use	11
	2.4.1 Corrosion	11
3	Handling	12
	3.1 Assembly information	12
	3.1.1 Mounting instructions	12
	3.2 Assembly	13
	3.2.1 Leakage test	13
	3.3 Maintenance	13
	3.4 Disposal	13

1 About these instructions for use

Trade mark rights exist for this document; for further information, go to viega.com/legal.

1.1 Target groups

The information in this instruction manual is directed at the following groups of people:

- Contract installers
- Professional companies specialising in the construction, maintenance and alteration of a natural or liquid gas system

Liquid gas systems may only be constructed, maintained or altered by companies that have the necessary qualification and experience.

Individuals without the abovementioned training or qualification are not permitted to mount, install and, if required, maintain this product. This restriction does not extend to possible operating instructions.

The installation of Viega products must take place in accordance with the general rules of engineering and the Viega instructions for use.

1.2 Labelling of notes

Warning and advisory texts are set aside from the remainder of the text and are labelled with the relevant pictographs.



DANGER!

This symbol warns of possible life-threatening injury.



WARNING!

This symbol warns of possible serious injury.



CAUTION!

This symbol warns of possible injury.



NOTICE!

This symbol warns of possible damage to property.



This symbol gives additional information and hints.

1.3 About this translated version

This instruction for use contains important information about the choice of product or system, assembly and commissioning as well as intended use and, if required, maintenance measures. The information about the products, their properties and application technology are based on the current standards in Europe (e.g. EN) and/or in Germany (e.g. DIN/DVGW).

Some passages in the text may refer to technical codes in Europe/Germany. These should serve as recommendations in the absence of corresponding national regulations. The relevant national laws, standards, regulations, directives and other technical provisions take priority over the German/European directives specified in this manual: The information herein is not binding for other countries and regions; as said above, they should be understood as a recommendation.

2 Product information

2.1 Standards and regulations

The following standards and regulations apply to Germany / Europe and are provided as a support feature.

Regulations from section: Application areas

Scope / Notice	Regulations applicable in Germany
Planning, execution, modification and operation of gas installations	DVGW-TRGI 2018
Planning, execution, modification and operation of liquid gas installations	DVFG-TRF 2021
Gas installations in industrial, commercial, and process engineering systems	DVGW-Arbeitsblatt G 5614
Gas installations in industrial, commercial, and process engineering systems	DVGW-Arbeitsblatt G 462
Gas installations in industrial, commercial, and process engineering systems	DVGW-Arbeitsblatt G 459-1
Gas installations in industrial, commercial, and process engineering systems	DVGW Fachinformation Nr. 10
Gas installations in industrial, commercial, and process engineering systems	DVGW-TRGI 2018
Assembly and operating instructions	DIN EN 331:2016-04

Regulations from section: Media

Scope / Notice	Regulations applicable in Germany
Gas characteristics	DVGW-Arbeitsblatt G 260

Regulations from section: Overview

Scope / Notice	Regulations applicable in Germany
Requirements in gas fittings	DIN EN 331
Criteria for leak tightness	DIN 3537-1
Requirements in gas fittings	DIN 3586

Regulations from section: Threaded connection

Scope / Notice	Regulations applicable in Germany
Threaded pair	DIN EN 10226-1
Permitted sealants	DIN 30660
Permitted sealants	DIN EN 751-2

Regulations from section: Functionality

Scope / Notice	Regulations applicable in Germany
Thermal shut-off system	DIN 3586

Regulations from section: Technical data

Scope / Notice	Regulations applicable in Germany
Operating temperature	DIN EN 331

Regulations from section: Corrosion

Scope / Notice	Regulations applicable in Germany
Corrosion protection	DIN 30672
Corrosion protection for external pipes	DVGW-TRGI 2018, Point 5.2.7.1
Corrosion protection for internal pipelines	DVGW-TRGI 2018,, Point 5.2.7.2
Corrosion protection for external pipes	DVFG-TRF 2021,, Point 7.2.7.2
Corrosion protection for internal pipelines	DVFG-TRF 2021,, Point 7.2.7.3

Regulations from section: Notes on mounting

Scope / Notice	Regulations applicable in Germany
Gas installations	DVGW-TRGI 2018
Exceptions, selection criteria and arrangement of the components	DVGW-TRGI 2018
Liquid gas installations	DVFG-TRF 2021
Exceptions, selection criteria and arrangement of the components	DVFG-TRF 2021
Use of active protective measures	DVGW-TRGI 2018, Point 5.3.6.3.1
Use of passive protective measures	DVGW-TRGI 2018, Point 5.3.6.3.2
Assembly and operating instructions	DIN EN 331:2016-04

Regulations from section: Leakage test

Scope / Notice	Regulations applicable in Germany
Leakage test for gas installations	DVGW-TRGI 2018, Point 5.6
Leakage test for liquid gas installations	DVFG-TRF 2021, Point 8.2

Regulations from section: Maintenance

Scope / Notice	Regulations applicable in Germany
Ensuring and maintaining a safe operating condition	DVGW-TRGI 2018, Point 13

2.2 Intended use



Agree the use of the model for areas of application and media other than those described with Viega.

A ball valve is a fitting that is able to shut-off and open individual pipeline sections through a 90° movement. The ball valve is not a control fitting and cannot be used for regulating volumetric flows. The ball must not be in an intermediate position.

2.2.1 Areas of application

Use is possible in the following areas among others:

- Gas installations
- Liquid gas installations

For planning, execution, modification and operation of gas installations, observe the applicable regulations, see ↗ *'Regulations from section: Application areas'* on page 5.

Use is possible in the gas installations described below:

- Gas installations
 - Low pressure range ≤ 100 hPa (100 mbar)
 - Medium pressure range from 100 hPa (100 mbar) up to 0.1 MPa (1 bar)
- Liquid gas installations
 - With liquid gas tank in medium pressure range downstream of the pressure regulating valve, 1st level on the liquid gas tank > 100 hPa (100 mbar) up to a permitted operating pressure of 0.5 MPa (5 bar)
 - With liquid gas tank in the low pressure range ≤ 100 hPa (100 mbar) behind the pressure regulating valve, 2nd level
 - With liquid gas pressurised container (liquid gas bottles) < 16 kg Behind the small bottle pressure regulating valve
 - With liquid gas tank (liquid gas bottle) ≥ 16 kg Behind the large bottle pressure regulating device

Observe the applicable regulations, see ↗ *'Regulations from section: Application areas'* on page 5.

2.2.2 Media

The model is also suitable for the following media, amongst others:

- Gases, see ↗ *'Regulations from section: Media'* on page 5
- Liquid gases, only in the gaseous state for domestic and commercial applications, see ↗ *'Regulations from section: Media'* on page 5.

2.3 Product description

2.3.1 Overview



Viega gas fittings conform with the requirements of the applicable regulations. The gas fittings have been tested and certified by the DVGW in accordance with the following criteria, see ↗ *Chapter 2.1 'Standards and regulations'* on page 5:

- Leak tightness
- Higher thermal resistance (HTR)

The model is equipped as follows:

- casing made of brass
- dual-sided Rp internal thread
- Thermal shut-off system (TSS)

The yellow protective sleeve on the actuating lever shows the medium to be gas.

A thermally activated shut-off system (TSS) is integrated into this model.

For fire safety reasons, a TSS is required for gas devices and other components that do not fulfil the HTR requirements. The TSS complies with the requirements of the applicable regulations, see ↪ *Chapter 2.1 'Standards and regulations' on page 5.*

The model is available in the following dimensions:

Rp 1/2 / 3/4 / 1 / 1 1/4 / 1 1/2 / 2.

2.3.2 Threaded connection

Prerequisite for a threaded connection, which seals via a thread, is a threaded pair in accordance with applicable regulations, see ↪ *'Regulations from section: Threaded connection' on page 6.* Pursuant to these regulations, a permitted threaded pair comprises a conical external thread and a cylindrical internal thread, e.g. R 3/4 and Rp 3/4.

Only use commercially available and chloride-free, DVGW approved sealant in accordance with the applicable regulations to seal threads, see ↪ *'Regulations from section: Threaded connection' on page 6.*

2.3.3 Markings on components

The model is marked as follows:

- MOP5 for maximum operating pressure 0.5 MPa (5 bar)
- Class C1 for maximum operating pressure with HTR requirement 0.1 MPa (1 bar)
- Flow direction indicator
- DVGW writing
- HTR marking
- Position indicator

2.3.4 Compatible components

Please contact the Viega Service Center for questions on this subject.

2.3.5 Operating mode

Thermal shut-off system (TSS)

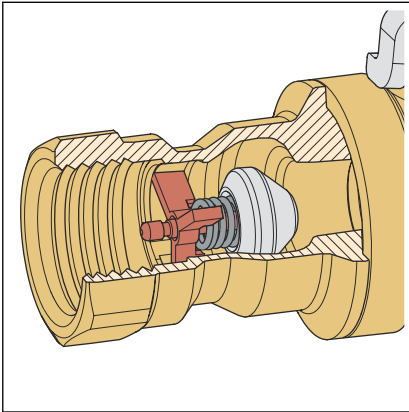


Fig. 1: Example of a TSS in operating position

The cone seal is pre-stressed with a spring and is held in position by a soldered strut. The spring slackens and pushes the valve cone into the outlet. The gas flow is then blocked and the valve is now permanently closed gas-tight.

Meet requirements according to applicable directives, see [☞ 'Regulations from section: Functionality' on page 6:](#)

Thermal shut-off system (TSS) must trigger at a temperature load of $95\text{ °C} \pm 5\text{ K}$, i.e. close automatically, and may only have a harmless leakage rate after a temperature load of 650 °C over a period of 30 minutes.

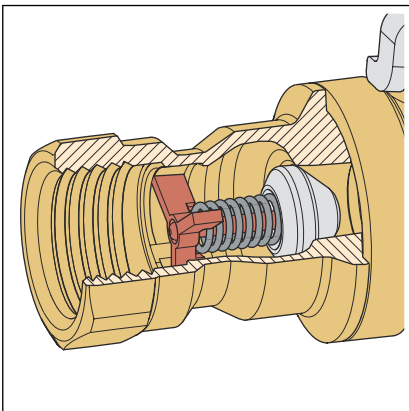


Fig. 2: Example of a TSS that is triggered



Triggered TSS can no longer be opened and are no longer fit for use.

The complete fitting must be replaced after actuation.

2.3.6 Technical data

Observe the following operating conditions for the installation of the model:

Use	Gas installation	Liquid gas installation
Operating temperature	-20–70 °C	-20–70 °C
Operating pressure	≤ 0.5 MPa (5 bar) (MOP 5)	≤ 0.5 MPa (5 bar) (MOP5) ¹⁾
	≤ 0.1 MPa (1 bar) (HTR/Class C1) ²⁾	≤ 0.1 MPa (1 bar) (HTR/Class C1) ²⁾

¹⁾ Maximum pressure – equates to the response pressure of the safety shut-off valve in the pressure regulating valve

²⁾ Operating pressure with HTR requirement max. 0.1 MPa (1 bar) (Class C1)

In accordance with the valid regulations, the scope of the operating temperature is between -20 °C and 60 °C, see ↪ *Chapter 2.1 'Standards and regulations' on page 5.*

2.4 Information for use

2.4.1 Corrosion

Depending on the area of use, corrosion protection measures may have to be taken into account.

One differentiates between external pipelines (underground and overground external pipelines), as well as internal pipelines.

Observe the pertinent guidelines for corrosion protection, see ↪ *'Regulations from section: Corrosion' on page 6.*

Overground pipes and fittings in rooms do not normally require external corrosion protection.

There are exceptions in the following cases:

- There is external contact with materials containing chloride.
- Stainless steel pipes must not come into contact with building materials or mortar containing chloride.
- There is contact with aggressive building materials such as materials containing nitrite or ammonium.
- in aggressive surroundings

3 Handling

3.1 Assembly information

3.1.1 Mounting instructions

Checking system components

System components may, in some cases, become damaged through transportation and storage.

- Check all parts.
- Replace damaged components.
- Do not repair damaged components.
- Contaminated components may not be installed.

Mounting conditions

Observe the following when mounting:

- Observe flow direction indicator.
- Do not cover or paint the model.
- Do not install the model in heat zones (e.g. with hot emissions or strong heat radiation).
- Use suitable tools.

Exceptions, selection criteria and the arrangement of the components are described in the applicable regulations, see ↗ *Chapter 2.1 'Standards and regulations' on page 5.*



NOTICE!

Use active and possibly passive protection measures to protect a gas installation from tampering by unauthorised persons.

Generally use active protective measures.

Choose passive protective measures matching the installation, and use them.

The use of active and passive protection measures is specified in the applicable regulations, see ↗ *Chapter 2.1 'Standards and regulations' on page 5.*

3.2 Assembly

3.2.1 Leakage test

The installer must perform a leakage test before commissioning.

Carry out this test on a system that is finished but not covered.

Comply with the general rules of engineering and the applicable directives, see ↗ *'Regulations from section: Leakage test' on page 7.*

Document the result.

3.3 Maintenance

The gas installation must be given a visual inspection, e. g. by the owner, once a year.

Serviceability and leak tightness must be checked every twelve years by an installation contractor.

To be covered by the warranty and to ensure the safe operation of the gas installations, operate and maintain them as intended. For more detailed information, refer to the applicable regulations, see ↗ *'Regulations from section: Maintenance' on page 7.*

3.4 Disposal

Separate the product and packaging materials (e. g. paper, metal, plastic or non-ferrous metals) and dispose of in accordance with valid national legal requirements.



Viega GmbH & Co. KG
service-technik@viega.de
viega.com

INT • 2023-01 • VPN210114

