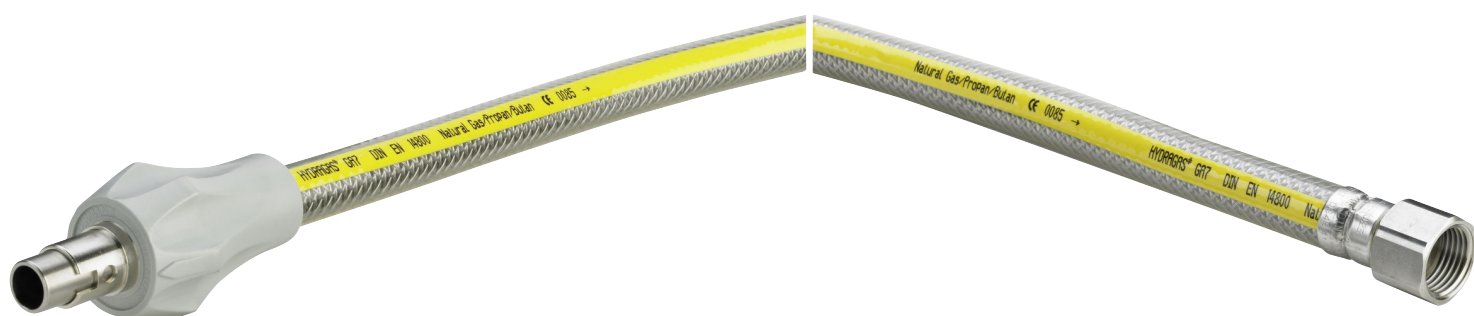


# Gas plug-in hose, straight-through form

## Instructions for Use



suitable for gas socket model G2019T, G2016T

**Model**  
G2023

**Year built:**  
from 01/1990

en\_INT

**viega**



# Table of contents

<b>1</b>	<b>About this instruction for use</b>	<b>4</b>
1.1	Target groups	4
1.2	Labelling of notes	4
1.3	About this translated version	5
<b>2</b>	<b>Product information</b>	<b>6</b>
2.1	Intended use	6
2.1.1	Areas of use	6
2.1.2	Media	6
2.2	Product description	7
2.2.1	Overview	7
2.2.2	Threaded connection	7
2.2.3	Markings on components	7
2.2.4	Compatible components	8
2.2.5	Technical data	8
2.3	Information for use	8
2.3.1	Corrosion	8
<b>3</b>	<b>Handling</b>	<b>9</b>
3.1	Assembly information	9
3.1.1	Mounting instructions	9
3.2	Assembly	9
3.2.1	Connecting gas plug-in hose	9
3.2.2	Leakage test	10
3.3	Maintenance	10
3.4	Disposal	11

# 1 About this instruction for use

Trade mark rights exist for this document, further information can be found at [www.viega.com/legal-notice](http://www.viega.com/legal-notice).

## 1.1 Target groups

The information in this instruction manual is directed at the following groups of people:

- contract installers registered in the installers' register of a utility company
- professional specialist companies for the construction, maintenance and alteration of a natural or liquid gas system

Liquid gas systems may only be constructed, maintained or altered by companies that have the necessary qualification and experience.

It is not permitted for individuals without the abovementioned training or qualification to mount, install and, if required, service this product. This restriction does not extend to possible operating instructions.

The installation of Viega products must take place in accordance with the general approved rules of engineering and the Viega instructions for use.

## 1.2 Labelling of notes

Warning and advisory texts are set aside from the remainder of the text and are labelled with the relevant pictographs.



### **DANGER!**

This symbol warns against possible life-threatening injury.



### **WARNING!**

This symbol warns against possible serious injury.



### **CAUTION!**

This symbol warns against possible injury.



### **NOTICE!**

This symbol warns against possible damage to property.



*Notes give you additional helpful tips.*

### **1.3 About this translated version**

This instruction for use contains important information about the choice of product or system, assembly and commissioning as well as intended use and, if required, maintenance measures. The information about the products, their properties and application technology are based on the current standards in Europe (e. g. EN) and/or in Germany (e. g. DIN/DVGW).

Some passages in the text may refer to technical codes in Europe/Germany. These should serve as recommendations in the absence of corresponding national regulations. The pertinent national laws, standards, regulations and guidelines, as well as other technical guidelines, have priority over German/European guidelines in this manual: The information is not binding for other countries and territories and should, as mentioned, be considered as support.

## 2 Product information

### 2.1 Intended use



*The use of the model for areas of use and media other than those described must be approved by the Viega Service Center.*

#### 2.1.1 Areas of use

The gas plug-in hose is intended and certified for the following uses:

- for the flexible connection of fixed gas devices
- also suitable for gas devices with electrical connection
- for connection with all gas sockets in acc. DIN 3383-1 / DIN EN 15069
- up to maximum 2.0 m long in domestic installations (CE certification up to 2.0 m in length)
- outside up to a length of 6.0 m (no CE certification)

Use is possible in the following areas among others:

- Gas installations
- Liquid gas systems

The general rules of engineering must be observed for planning, execution, alteration and operation gas installations.

e. g. the following regulations apply:

- DVGW-TRGI 2008 for gas installations
- DVFG-TRF 2012 for liquid gas systems

#### 2.1.2 Media

The model is suitable for the following media, amongst others:

- Gases  
in acc. with DVGW Worksheet G 260
- Liquid gases, only in the gaseous state for domestic and commercial applications  
in acc. with DVGW-AB G 260

## 2.2 Product description

### 2.2.1 Overview



*The model is CE certified in acc. with DIN EN 14800.*

The model is equipped as follows:

- inlet side with standard plug  
in acc. with DIN 3383-1
- outlet side with Rp internal thread
- corrugated hose made of stainless steel inside
- woven stainless steel with plastic covering outside
- hose socket made of plastic (PPO)

The model is available in the dimension Rp ½ in the following lengths:  
L 500 / 750 / 1000 / 1250 / 1500 / 2000 / 2500 / 3000.

### 2.2.2 Threaded connection

Prerequisite for a threaded connection, which seals via a thread, is a threaded pair in acc. with DIN EN 10226-1. In acc. with DIN EN 10226-1 comprises a permitted threaded pair consisting of a conical external thread and a cylindrical internal thread, e. g. R ¾ and Rp ¾.

Only use commercially available and chloride-free, DVGW approved sealant in acc. with DIN 30660 and DIN EN 751-2 to seal threads.



*Produce the threaded connection first then the plug connection.*

### 2.2.3 Markings on components

The model is marked as follows:

- Flow direction indicator
- DVGW writing and certificate number
- Writing DIN EN 14800 / CE 0085
- HTR marking
- Class AMS – classification in acc. DIN 3383-1
- yellow strip for gas

## 2.2.4 Compatible components

The model is compatible with the gas socket model G2016T and G2019T.

Please contact the Viega Service Center for questions on this subject.

## 2.2.5 Technical data

Observe the following operating conditions for the installation of the model:

Operating temperature	-20° C up to +70° C
Operating pressure	≤ 0.01 MPa (0.1 bar)

## 2.3 Information for use

### 2.3.1 Corrosion

Depending on the area of use, corrosion protection measures may have to be taken into account.

The general rules of engineering must be observed for corrosion protection.

The following regulations apply, e.g.:

- DIN 30672
- DVGW-TRGI 2008
- DVFG-TRF 2012



- *Do not use the model in aggressive surroundings.*
- *Avoid contact with aggressive building materials such as materials containing nitrite or ammonium.*



# 3 Handling

## 3.1 Assembly information

### 3.1.1 Mounting instructions

#### Checking system components

System components may, in some cases, become damaged through transportation and storage.

- Check all parts.
- Replace damaged components.
- Do not repair damaged components.
- Contaminated components may not be installed.

#### Mounting conditions

Observe the following when mounting:

- Observe flow direction indicator.
- Do not install the model in heat zones (e. g. with hot emissions or strong heat radiation).
- Use suitable tools.
- Do not tension.
- Avoid heavy bending (bending radius at least 40 mm).

Exceptions, selection criteria and order of the components are described in DVGW-TRGI 2008 and DVFG-TRF 2012.

## 3.2 Assembly

### 3.2.1 Connecting gas plug-in hose

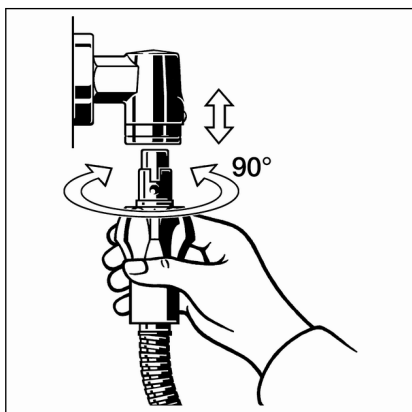


*When mounting, also observe the instructions for use of the relevant gas socket.*

Produce the threaded connection then the plug connection.



*If the plug is difficult to connect, lubricate the plug with tap grease in acc. with DIN EN 377.*



- Push the plug as far as it will go into the gas socket.  
The markings on the gas socket and the plug must match.
- Turn the plug anti-clockwise by 90°.  
The connection is secured in this way.

### 3.2.2 Leakage test

The installer must perform a leakage test (load and leakage test) on the gas installation before commissioning.

The general rules of engineering must be observed.

E. g. the following regulations apply:

- DVGW-TRGI 2008
- DVFG-TRF 2012



*The gas plug-in hose must not be included in the leakage test.*

*The connector must be checked for leaks by suitable means after the gas has been filled.*

The result must be documented.

## 3.3 Maintenance

The gas installation must be given a visual inspection, e. g. by the owner, once a year.

Particular attention should be paid to damage, e. g. kinks or corrosion.

Serviceability and leak tightness must be checked every 12 years by an installation contractor.

Gas installations must be operated and maintained as intended to ensure and maintain a safe operating condition. Detailed information on this topic can be found in DVGW-TRGI 2008 appendix 5c.

### **3.4 Disposal**

Separate the product and packaging materials (e. g. paper, metal, plastic or non-ferrous metals) and dispose of in accordance with valid national legal requirements.