

# Viega Eco Plus WC element

## Instructions for Use



**Viega Eco Plus**

**Model**  
8161.2

en\_INT

**Year built:**  
from 07/2007

**viega**



# Table of contents

|          |   |           |
|----------|---|-----------|
| <b>1</b> | <b>About these instructions for use</b> | <b>4</b>  |
| 1.1      | Target groups                           | 4         |
| 1.2      | Labelling of notes                      | 4         |
| 1.3      | About this translated version           | 5         |
| <b>2</b> | <b>Product information</b>              | <b>6</b>  |
| 2.1      | Standards and regulations               | 6         |
| 2.2      | Intended use                            | 6         |
| 2.2.1    | Areas of use                            | 6         |
| 2.3      | Product description                     | 6         |
| 2.3.1    | Overview                                | 6         |
| 2.3.2    | Compatible components                   | 7         |
| 2.3.3    | Sound protection                        | 9         |
| 2.3.4    | Technical data                          | 9         |
| <b>3</b> | <b>Handling</b>                         | <b>10</b> |
| 3.1      | Assembly information                    | 10        |
| 3.1.1    | Mounting conditions                     | 10        |
| 3.1.2    | Installation dimensions                 | 11        |
| 3.1.3    | Required tools                          | 11        |
| 3.2      | Assembly                                | 11        |
| 3.2.1    | Mounting WC element                     | 11        |
| 3.2.2    | Connecting concealed cistern            | 19        |
| 3.2.3    | Preparing optional actuation versions   | 23        |
| 3.2.4    | Setting the flush volume                | 24        |
| 3.3      | Cleaning and maintenance                | 25        |
| 3.4      | Disposal                                | 25        |

# 1 About these instructions for use

Trade mark rights exist for this document, further information can be found at [viega.com/legal](http://viega.com/legal).

## 1.1 Target groups

The information in this instruction manual is directed at the following groups of people:

- Heating and sanitary professionals and trained personnel
- Drywall builder

It is not permitted for individuals without the abovementioned training or qualification to mount, install and, if required, maintain this product. This restriction does not extend to possible operating instructions.

The installation of Viega products must take place in accordance with the general rules of engineering and the Viega instructions for use.

## 1.2 Labelling of notes

Warning and advisory texts are set aside from the remainder of the text and are labelled with the relevant pictographs.

**DANGER!**

This symbol warns against possible life-threatening injury.

**WARNING!**

This symbol warns against possible serious injury.

**CAUTION!**

This symbol warns against possible injury.

**NOTICE!**

This symbol warns against possible damage to property.



*Notes give you additional helpful tips.*

### 1.3 About this translated version

This instruction for use contains important information about the choice of product or system, assembly and commissioning as well as intended use and, if required, maintenance measures. The information about the products, their properties and application technology are based on the current standards in Europe (e. g. EN) and/or in Germany (e. g. DIN/DVGW).

Some passages in the text may refer to technical codes in Europe/Germany. These should serve as recommendations in the absence of corresponding national regulations. The relevant national laws, standards, regulations, directives and other technical provisions take priority over the German/European directives specified in this manual: The information herein is not binding for other countries and regions; as said above, they should be understood as a recommendation.

## 2 Product information

### 2.1 Standards and regulations

The following standards and regulations apply to Germany / Europe. National regulations can be found on the relevant web site of your country at [viega.com/standards](http://viega.com/standards).

#### Regulations from section: Fields of application / Mounting conditions

| Scope / Notice            | Regulations applicable in Germany |
|---------------------------|-----------------------------------|
| suitable masonry walls    | EN 1996-1-1                       |
| suitable concreted walls  | DIN 1045                          |
| suitable support profiles | DIN 18183                         |

#### Regulations from section: Sound protection

| Scope / Notice                          | Regulations applicable in Germany |
|---|-----------------------------------|
| Fulfilled noise protection requirements | DIN 4109                          |
| Fulfilled noise protection requirements | DIN 4109 (additional sheet 2)     |
| Fulfilled noise protection requirements | VDI 4100 SSt I-SSt II             |

### 2.2 Intended use

#### 2.2.1 Areas of use

The Viega Eco Plus WC element is suitable for mounting on masonry wall constructions and support profiles pursuant to the regulations in section [↗](#) „Regulations from section: Fields of application / Mounting conditions“ on page 6.

### 2.3 Product description

#### 2.3.1 Overview

The WC element is equipped as follows:

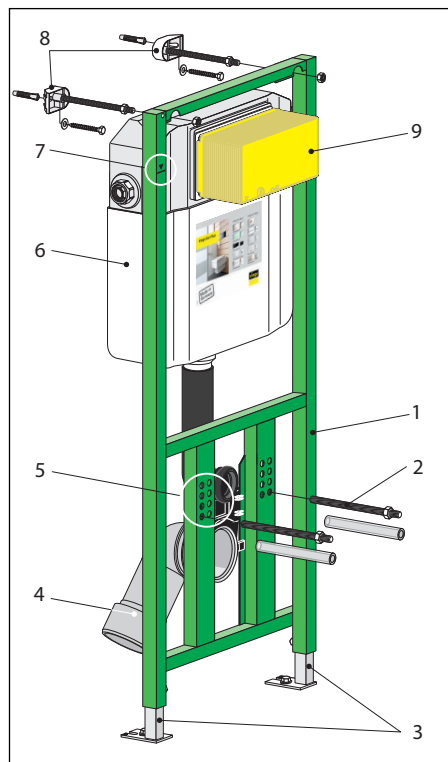


Fig. 1: Components

- 1 - Viega Eco Plus WC element
- 2 - threaded rods for fixing sanitary objects (gauges for bore hole 180 or 230 mm)
- 3 - adjustable feet
- 4 - drain elbow
- 5 - Four fixing heights for the WC ceramic: 330 mm / 350 mm / 370 mm / 390 mm
- 6 - Viega concealed cistern 2H
- 7 - marking 1.0 m above the upper edge of the finished floor
- 8 - fixing set (not included in the scope of delivery model 8173)
- 9 - flush actuation site protection

### 2.3.2 Compatible components

The WC element is compatible with all common WC ceramics, even with larger projection (barrier-free).

The WC element can be extended by the following compatible components:

- odour extraction via flushing pipe (model 8310.26)
- connection installation set (model 8350.14)

Installation of the WC element (installation height 980 mm) into the modular Viegaswift pre-wall installation system is possible when using model 8110.5.

Mount the components in accordance with the instructions for use of the components.

### Fixing element

The fixing element is suitable for barrier-free installation. Supports and handles can be mounted on the fixing element. The construction height of the fixing element is 1130 mm.

### Odour extraction

The odour extraction is suitable for the reduction of odour nuisance in inside bathrooms and heavily frequented toilet facilities. The odour extraction is directly connected to the ventilation system.

### Connection installation set

The installation set is suitable for the connection of an electrical actuation. The installation set consists of an empty pipe, a cavity wall socket and the relative, required clip. The empty pipe connects the cavity wall socket with the concealed cistern.


### Compatible flush plates

| Product          | Name                               | Model  |
|------------------|------------------------------------|--------|
| Standard         | Flush plate Standard 1             | 8180.1 |
| Visign for Style | Flush plate<br>Visign for Style 10 | 8315.1 |
|                  | Flush plate<br>Visign for Style 11 | 8331.1 |
|                  | Flush plate<br>Visign for Style 12 | 8332.1 |
|                  | Flush plate<br>Visign for Style 12 | 8332.4 |
|                  | Flush plate<br>Visign for Style 13 | 8333.1 |
|                  | Flush plate<br>Visign for Style 14 | 8334.1 |
|                  | Functional unit                    | 8332.3 |
| Visign for More  | Flush plate Visign for More<br>100 | 8352.1 |
|                  | Flush plate Visign for More<br>101 | 8351.1 |
|                  | Flush plate Visign for More<br>102 | 8353.1 |



| Product                   | Name                                      | Model         |
|---------------------------|---|---------------|
|                           | Flush plate Visign for More 103           | 8355.1        |
|                           | Flush plate Visign for More 104           | 8354.1        |
| Visign for Care sensitive | Flush plate sensitive Visign for Care     | 8352.21       |
| Visign for More sensitive | Flush plate sensitive Visign for More 100 | 230 V 8352.11 |
|                           | Flush plate sensitive Visign for More 100 | 6.5 V 8352.12 |
|                           | Flush plate sensitive Visign for More 103 | 230 V 8355.11 |
|                           | Flush plate sensitive Visign for More 103 | 6.5 V 8355.12 |
| Visign for Public         | Flush plate Visign for Public 1           | 8326.1        |
|                           | Flush plate Visign for Public 2           | 8327.1        |
|                           | Flush plate Visign for Public 5           | 8326.16       |
|                           | Flush plate Visign for Public 6           | 8326.15       |
|                           | Remote actuation Visign for Public 1      | 8326.21       |
|                           | Cover plate Visign for Public             | 8326.9        |

### 2.3.3 Sound protection

The WC element complies with the noise insulation requirements specified in section  „Regulations from section: Sound protection“ on page 6.

### 2.3.4 Technical data

#### Flush volume


|                    |                 |                 |
|--------------------|-----------------|-----------------|
| Small flush volume | Factory setting | approx. 3 l     |
|                    | Setting range   | approx. 3–4 l   |
| Large flush volume | Factory setting | approx. ca. 6 l |
|                    | Setting range   | approx. 6–9 l   |

# 3 Handling

## 3.1 Assembly information

### 3.1.1 Mounting conditions

#### Suitable walls

The Viega WC element is suitable for mounting on masonry wall constructions and support profiles pursuant to the regulations in section  „Regulations from section: Fields of application / Mounting conditions“ on page 6.

The WC element may only be mounted on even wall surfaces.

#### Construction height

With the construction height, the marked height of the upper edge of the finished floor must be observed.

#### Installation depth

The installation depth is 200 mm.

#### WC ceramic

The WC element can only be used in combination with wall-hung WCs (fixing gauges for bore hole 180 mm or 230 mm).

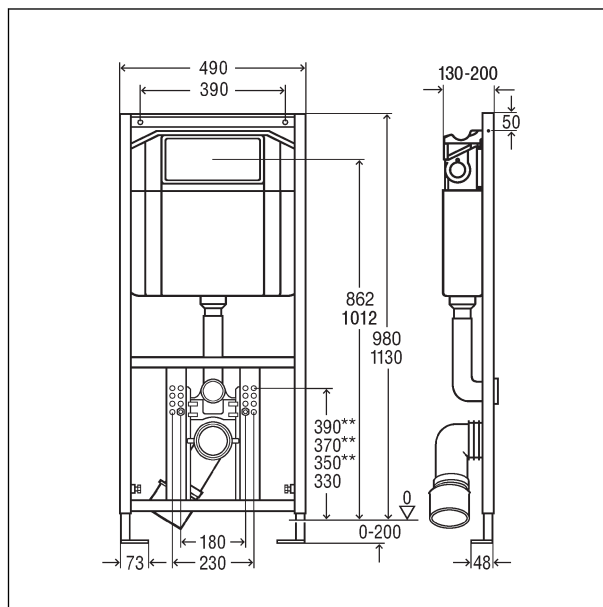
#### Actuation

The WC element can be extended by a remote actuation Visign for Public1 (model 8326.21) or by an electronic actuation (model 8350.31 or 8350.32), as well as by sensitive flush plates (model 8352.21, 8352.11 and 8355.11). The corresponding actuation method must be prepared before the WC element is clad and tiled.

The corresponding empty pipe (included in the scope of delivery of the remote actuation) is required when preparing the remote actuation Visign for Public1.

### 3.1.2 Installation dimensions

#### Dimensions



\*\* only possible with construction height 1130 mm.

### 3.1.3 Required tools

The following tools are required for mounting the WC element:

- drill with 10 mm drill bit
- ratchet with sockets: 13 mm / 17 mm
- fork or ring spanner: 13 mm / 17 mm / 19 mm
- fork or ring spanner: 27 mm

## 3.2 Assembly

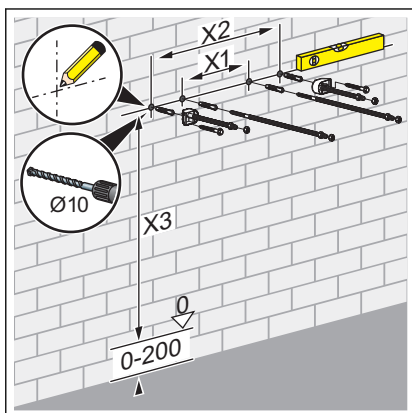
### 3.2.1 Mounting WC element



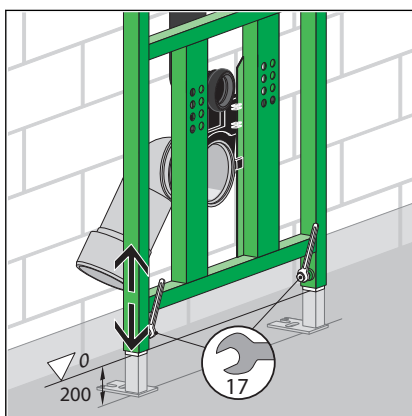
#### **Masonry and concreted walls**

You should use a support bracket (model 8165) when mounting multiple WC elements with an interval of > 490 mm. Observe the instructions for use of the support bracket when mounting.

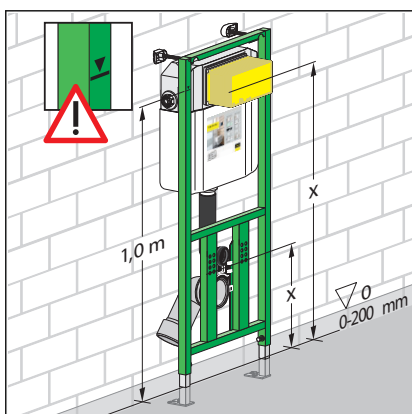
## Masonry wall



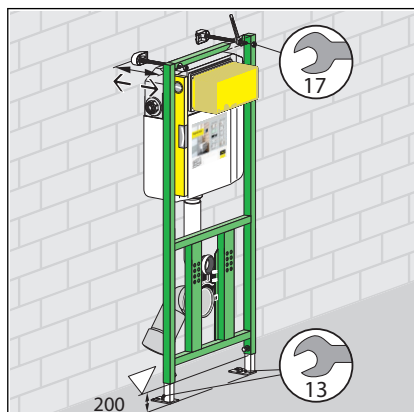
- Determine and mark fixing points.
  - X1: 390 mm (model 8180.73)
  - X2: 440 mm (model 8173)
  - X3: At a construction height of 980 mm, the size is 960 mm.
- Drill holes.
- Mount the fixing set with the fork spanner (size 13).



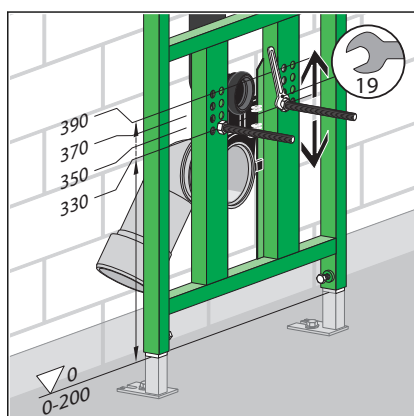
- Align the height of the feet.



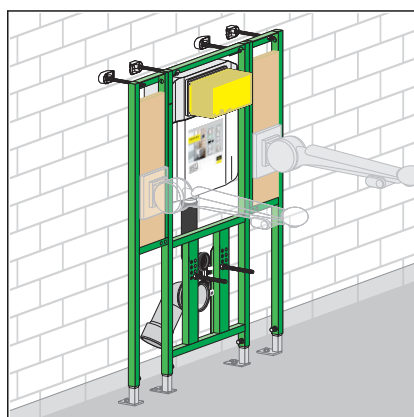
- Align WC element.
- Check WC element on cutting check.



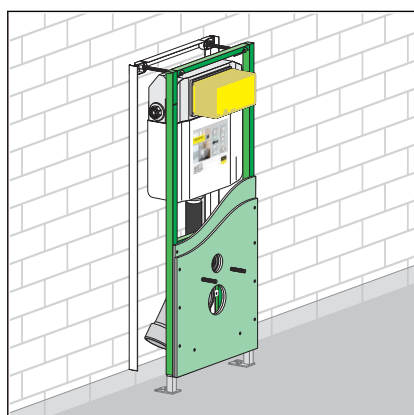
- Set the installation depth of the pre-wall element (130–200 mm) with the fork spanner (size 17).
- Attach WC element to the wall.
- Attach WC element to the floor using the fork spanner (size 13) and the screws and dowels supplied.



- Height threaded rods for WC ceramic
  - 330 mm
  - 350 mm
  - 370 mm
  - 390 mm

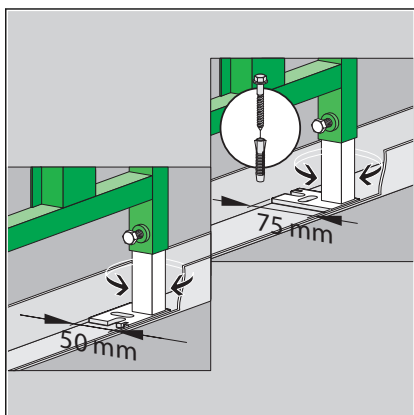


- **Optional:**  
Mount the Viega Eco Plus fixing element model 8169.2.

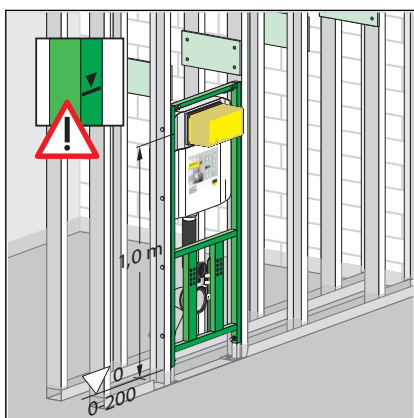


- Double-clad WC element with IFGP cladding panels (model 8055.10) (2 x 12.5 mm).

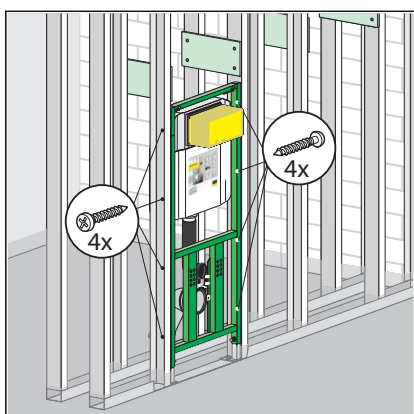
### On-site support profile



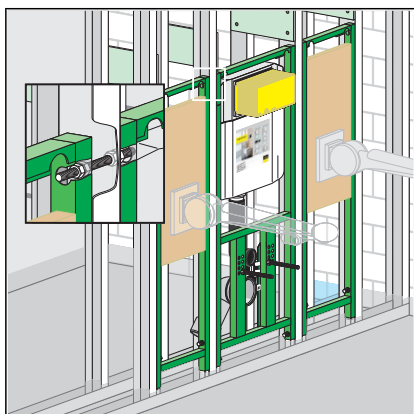
- If necessary, adjust (pre-mounted) foot depth from 75 mm to 50 mm.
- Pull the foot out and turn by 90°.



- If necessary, adjust (pre-mounted) foot depth from 75 mm to 50 mm.
- Pull the foot out and turn by 90°.
- Determine construction height in accordance with the on-site marking of the upper edge of the finished floor.
- Pull WC element up (cutting check) and align.
- Mark holes for floor supports and drill.
- Tighten feet with the fork spanner (size 17).

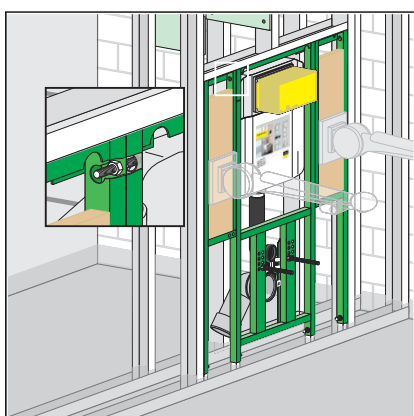


- Attach WC element to the support profiles using the screws supplied.



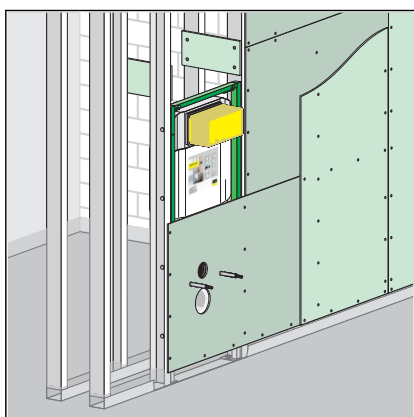
► **Optional:**

Viega Eco Plus fixing element model 8169.



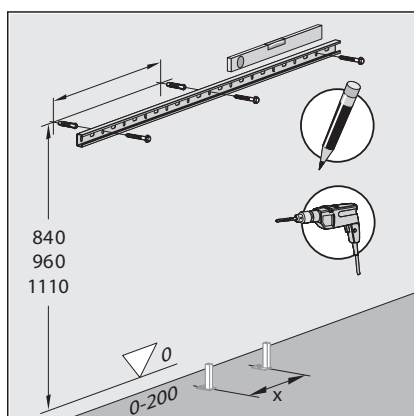
► **Optional:**

Viega Eco Plus fixing element model 8169.2.

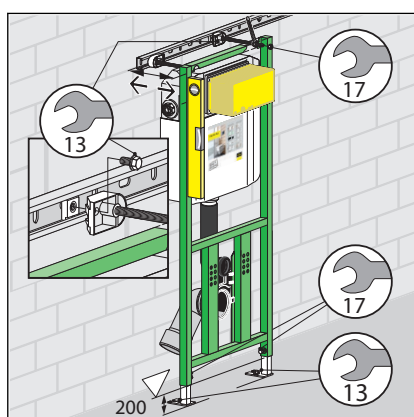


► **Double-clad WC element with IFGP cladding panels (model 8055.10) (2 x 12.5 mm).**

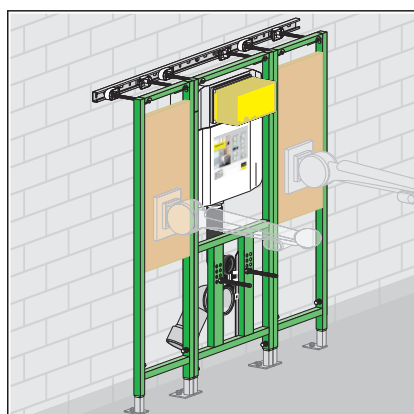
## Line mounting



- Determine and mark fixing points.
- Drill holes.
- Mount the mounting rail (model 8001) with the fork spanner (size 13).

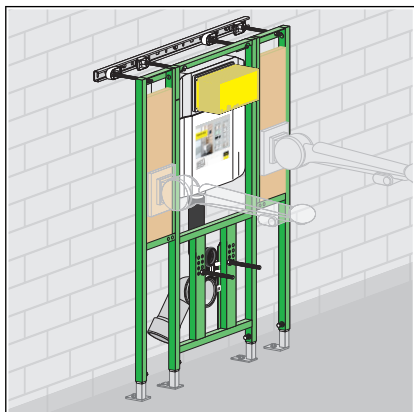


- Pull WC element up (cutting check) and align.
- Tighten feet with the fork spanner (size 13).
- Attach WC element to the rail.



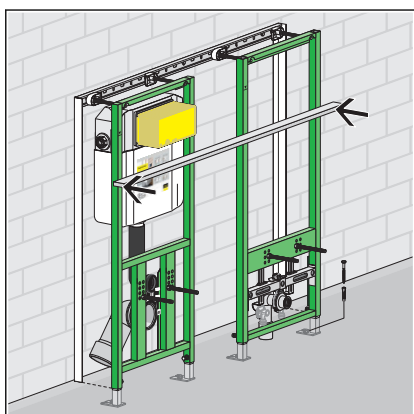
- **Optional:**  
Viega Eco Plus fixing element model 8169.



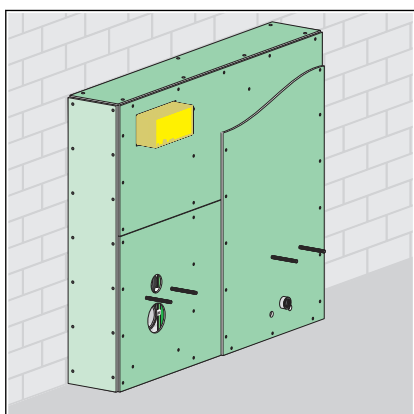


► **Optional:**

Viega Eco Plus fixing element model 8169.2.

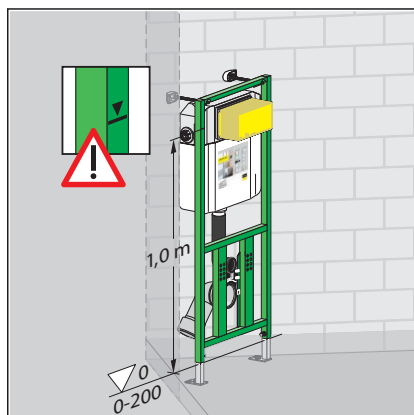


► The Viega Eco Plus elements must be placed below one another in line mounting.

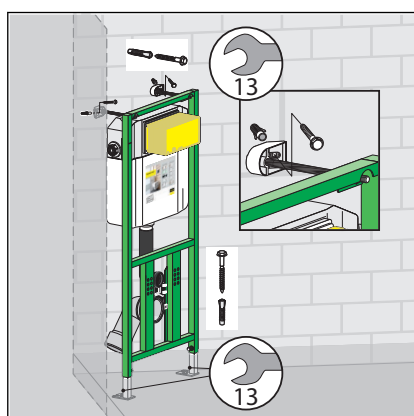


► Double-clad WC element with IFGP cladding panels (model 8055.10) (2 x 12.5 mm).

## Corner mounting

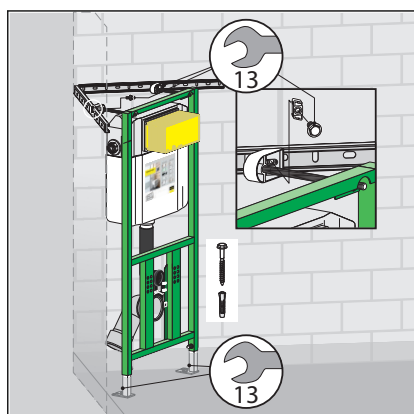


► Pull WC element up (cutting check) and align.



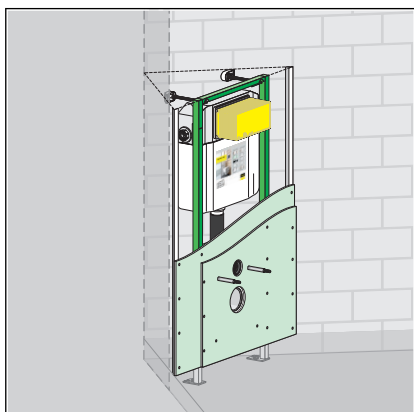
► **Option 1: Wall mounting**

Attach WC element onto the floor and into the wall.



► **Option 2: Mounting rail**

Attach WC element to the mounting rail (size 13).



- Double-clad WC element with IFGP cladding panels (model 8055.10) (2 x 12.5 mm).

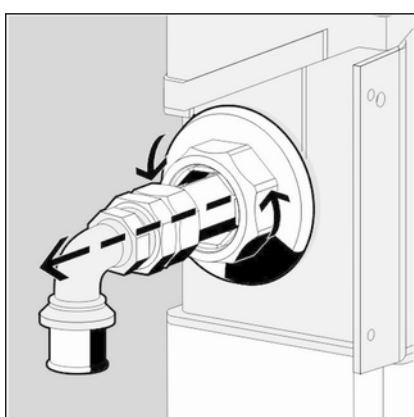
### 3.2.2 Connecting concealed cistern

#### Laterally extricable water connection

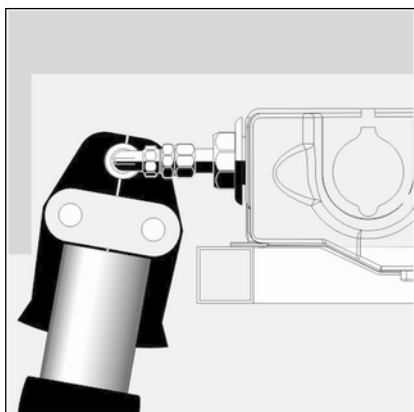
If there is not enough space when pressing the water connection, the water connection can be pulled out to the side.



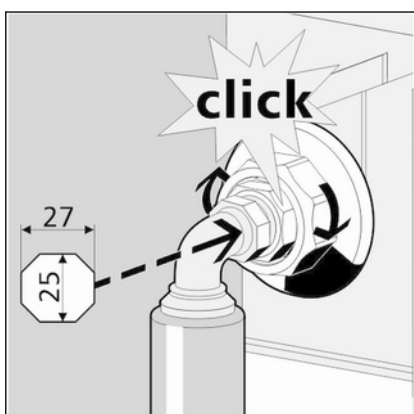
- Screw the ½ inch connector into the wall lead-in.  
Counter with a fork spanner (SW 27).



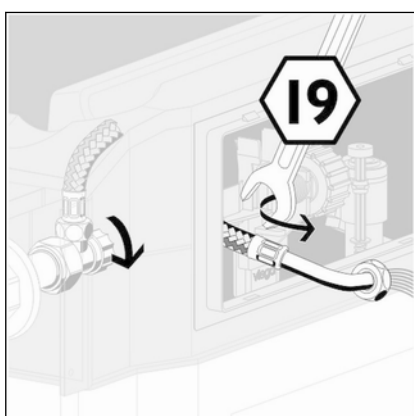
- Loosen plastic union nut.
- Pull out wall lead-in.



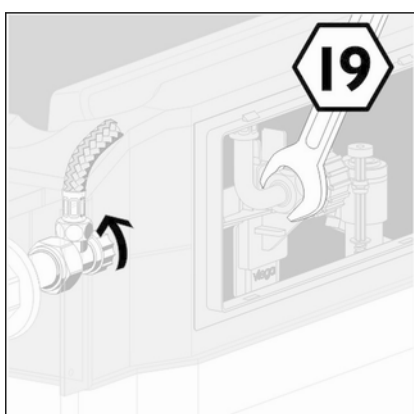
- Press connection.



- Push wall lead-in back into the plastic clamp.  
The position of the key surface (SW 25) must be up or down.  
The clicking into the groove signals the correct position.
- Re-tighten the union nut.

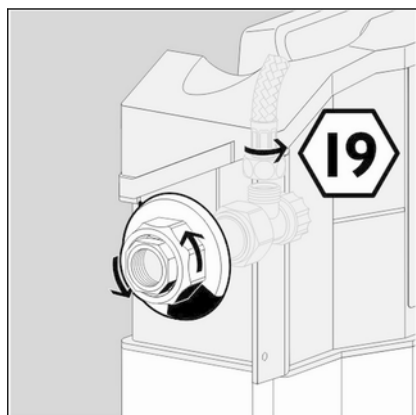


- Loosen (SW 19) flexible hose onto the filling valve.
- Open corner valve.
- Flush pipeline.

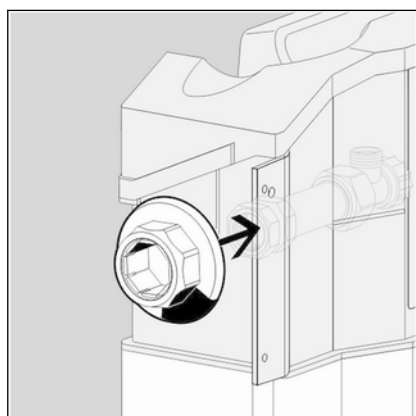


- Close corner valve.
- Re-mount (SW 19) the flexible hose onto the filling valve.

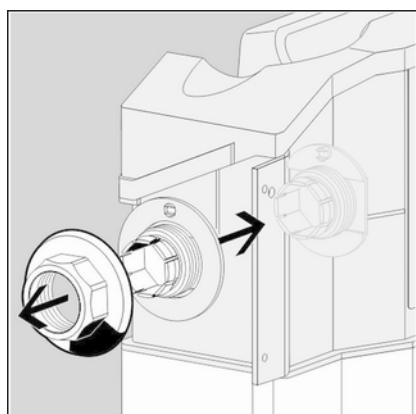
### Conversion water connection upwards (optional)



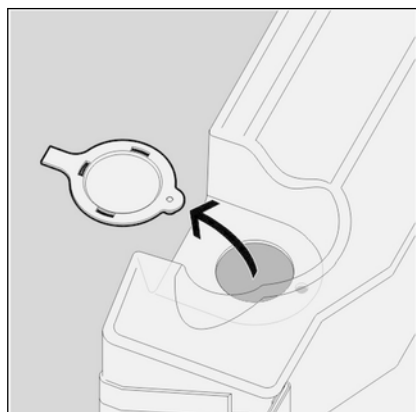
- Loosen (SW 19) flexible hose onto the corner valve.
- Unscrew plastic union nut.



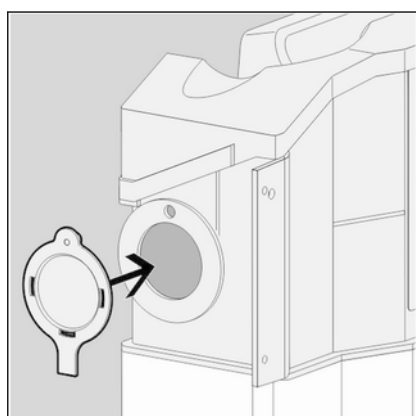
- Pull the corner valve inwards out of the wall lead-in.



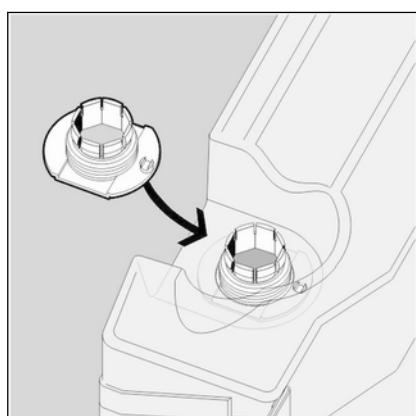
- Remove plastic union nut.
- Remove the wall lead-in inwards.



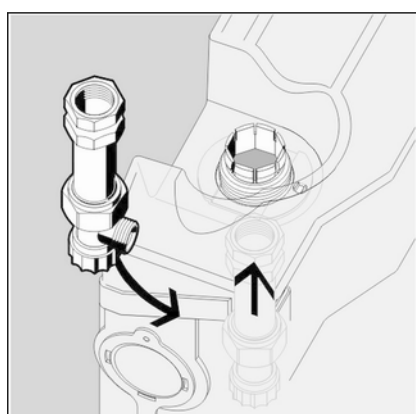
► Loosen the closing cap on the left-hand upper side of the concealed cistern.



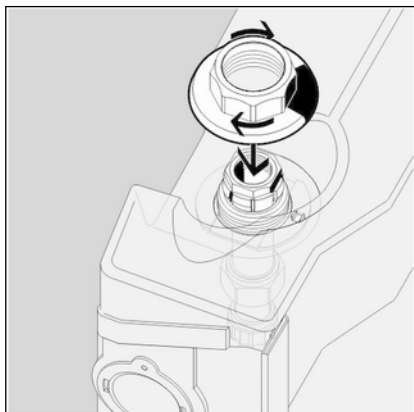
► Close opening on the side with the closing cap.



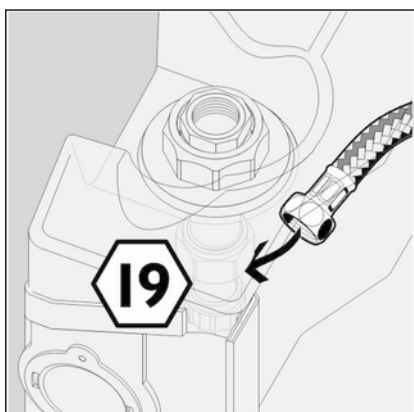
► Push wall lead-in from inside into the upper opening.



► Insert the corner valve back into the wall lead-in.



- Screw plastic union nut back onto wall lead-in.

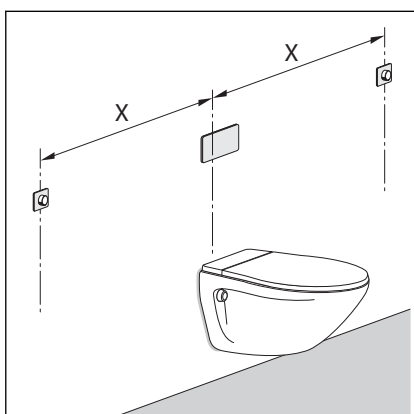


- Re-mount (SW 19) the flexible hose onto the corner valve.

### 3.2.3 Preparing optional actuation versions

#### Prepare remote actuation

The corresponding empty pipe (included in the scope of delivery of the remote actuation) is required when preparing the remote actuation Visign for Public1 (model 8326.21).



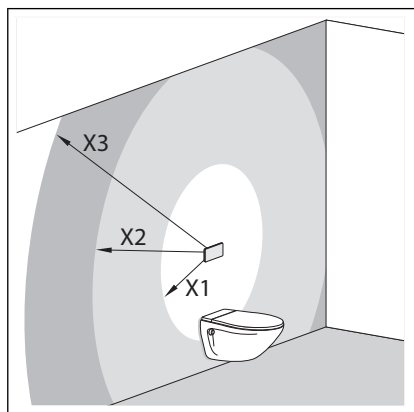
- Lead the empty pipe from the hollow wall socket into the concealed cistern.

Distance from the remote actuation to the cistern (x)

- min. 1.0 m
- max. 1.7 m

#### Prepare electrical actuation

A corresponding empty pipe (not included in the scope of delivery of the electrical actuation) is required for the preparation of the electrical actuation (model 8350.31 or model 8350.32).



- Lead empty pipe from the switch or button into the concealed cistern, to connect the concealed socket and concealed cistern.

#### Positioning of the cistern power pack

- X1= max. 0.75 m
- X2= max. 2.75 m with an extension cable, 1 x article number 628 505
- X3= max. 4.75 m with two extension cables, 2 x article number 628 505

### 3.2.4 Setting the flush volume



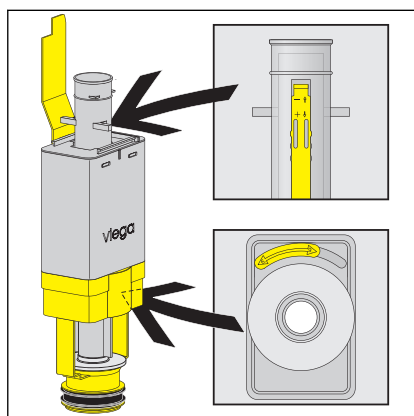
*Immediate re-flushing of the flush volume is possible at the factory settings.*

#### Small flush volume

The WC element is factory-set at a small flush of approx. 3 l. The small flush volume can be set at three levels: approx. 3 l / 3.5 l / 4 l.

- Remove the drain valve from the concealed cistern.
- Push the slide control on the side of the overflow pipe to the desired small flush volume:
  - Top position: approx. 3 l
  - Middle position: approx. 3.5 l
  - Bottom position: approx. 4 l

The positions can be identified by the notches.

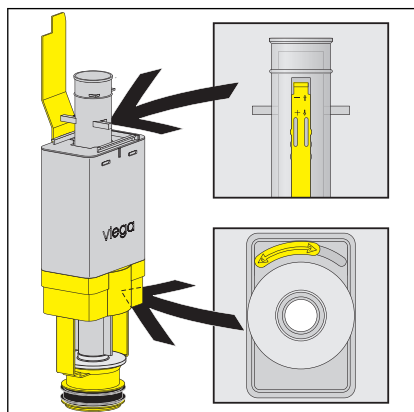


#### Large flush volume

The WC element is factory-set at a large flush volume of approx. 6 l. The large flush volume can be set continuously from approx. 6 l up to approx. 9 l.

- Remove the drain valve from the concealed cistern.





► Push the slide control below the drain valve to the desired large flush volume:

- left: approx. 6 l
- right: approx. 9 l

### 3.3 Cleaning and maintenance

Cleaning work may only be carried out by specialist trade professionals or qualified experts.

#### Cleaning and maintenance of the concealed cistern

In consideration of the mechanical, chemical and physical conditions, the concealed cistern is constantly laden.

For this reason, the components must be cleaned, as required, and the drain and filling valve seals renewed.

In areas or regions with hard water due to calcium or magnesium salts, there is the risk of limescale deposits developing on the inlet and drain valves.

The valves may have to be replaced, depending on the extent of deposits.

### 3.4 Disposal

Separate the product and packaging materials (e. g. paper, metal, plastic or non-ferrous metals) and dispose of in accordance with valid national legal requirements.