

Cover plate

Instructions for Use



suitable for Steptec WC module model 8461.21, Viega Plus WC element model 8161.21

Model
8040.21

Year built:
from 10/2012

en_INT

viega

Table of contents

1	About these instructions for use	4
1.1	Target groups	4
1.2	Labelling of notes	4
1.3	About this translated version	5
2	Product information	6
2.1	Intended use	6
2.1.1	Areas of use	6
2.2	Product description	6
2.2.1	Overview	6
3	Handling	7
3.1	Assembly	7
3.2	Disposal	8

1 About these instructions for use

Trade mark rights exist for this document, further information can be found at viega.com/legal.

1.1 Target groups

The information in this instruction manual is directed at the following groups of people:

- Heating and sanitary professionals and trained personnel

It is not permitted for individuals without the abovementioned training or qualification to mount, install and, if required, service this product. This restriction does not extend to possible operating instructions.

The installation of Viega products must take place in accordance with the general rules of engineering and the Viega instructions for use.

1.2 Labelling of notes

Warning and advisory texts are set aside from the remainder of the text and are labelled with the relevant pictographs.



DANGER!

This symbol warns against possible life-threatening injury.



WARNING!

This symbol warns against possible serious injury.



CAUTION!

This symbol warns against possible injury.



NOTICE!

This symbol warns against possible damage to property.



Notes give you additional helpful tips.

1.3 About this translated version

This instruction for use contains important information about the choice of product or system, assembly and commissioning as well as intended use and, if required, maintenance measures. The information about the products, their properties and application technology are based on the current standards in Europe (e. g. EN) and/or in Germany (e. g. DIN/DVGW).

Some passages in the text may refer to technical codes in Europe/Germany. These should serve as recommendations in the absence of corresponding national regulations. The pertinent national laws, standards, regulations and guidelines, as well as other technical guidelines, have priority over German/European guidelines in this manual: The information is not binding for other countries and territories and should, as mentioned, be considered as support.

2 Product information

2.1 Intended use

2.1.1 Areas of use

The cover plate is suitable for use with the Steptec WC module model 8461.21 or the Viega Eco Plus WC element model 8161.21.

2.2 Product description

2.2.1 Overview

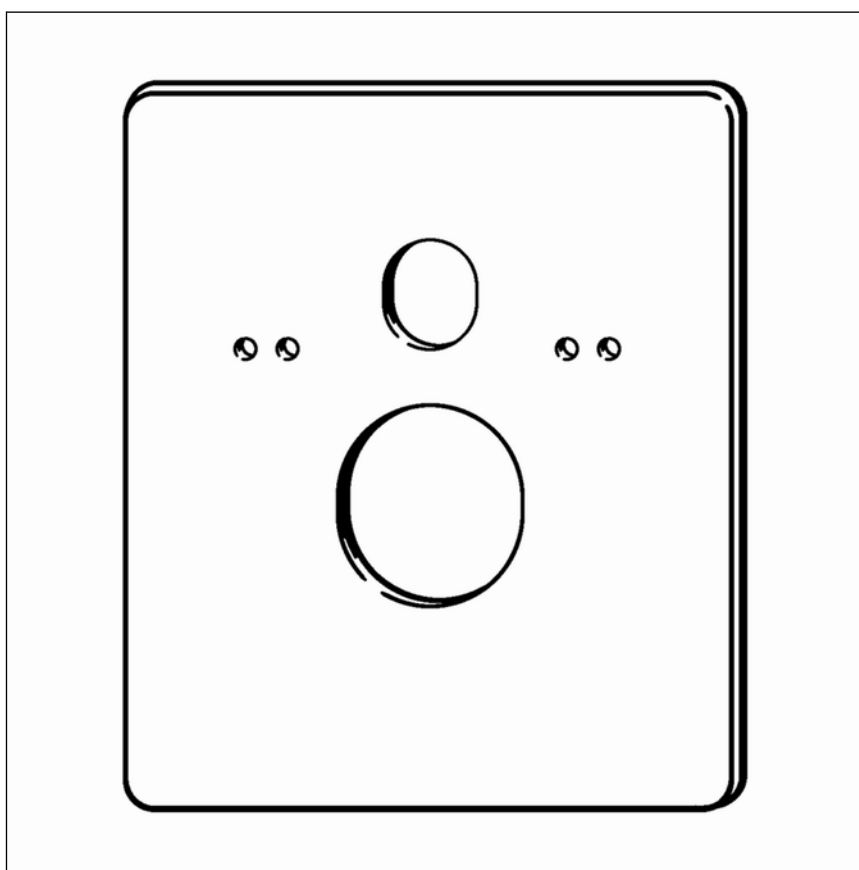
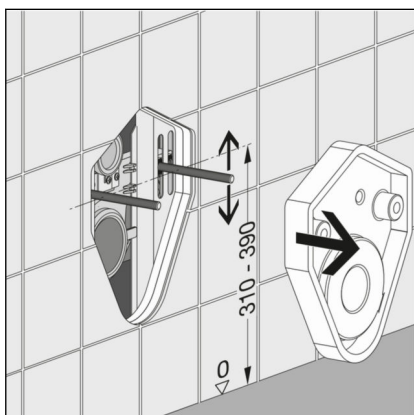


Fig. 1: Overview

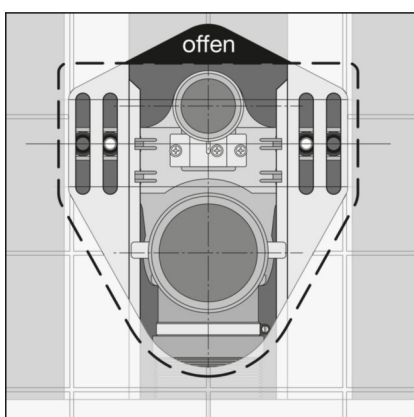
The size of the cover plate is 460 x 390 mm [H x W].

3 Handling

3.1 Assembly



- Remove hard foam block.
- Set the height of the ceramic fixing using the threaded rods. The height can be between 310 and 390 mm.



- Use the cover plate to cover the opening fully if the WC ceramic does not completely cover the surface completely.



- Place cover plate onto the threaded rods.



► Cut flushing pipe and drainpipe to length appropriately.



► Mount ceramic.

3.2 Disposal

Separate the product and packaging materials (e. g. paper, metal, plastic or non-ferrous metals) and dispose of in accordance with valid national legal requirements.