

Plywood board

Instructions for Use



for equipment

Model
8096

en_INT

Year built:
from 11/1993

viega

Table of contents

1	About these instructions for use	4
1.1	Target groups	4
1.2	Labelling of notes	4
1.3	About this translated version	5
2	Product information	6
2.1	Standards and regulations	6
2.2	Intended use	6
2.2.1	Areas of use	6
3	Handling	7
3.1	Assembly information	7
3.1.1	Installation dimensions	7
3.2	Assembly	7
3.3	Disposal	8

1 About these instructions for use

Trade mark rights exist for this document, further information can be found at viega.com/legal.

1.1 Target groups

The information in this instruction manual is directed at the following groups of people:

- Heating and sanitary professionals and trained personnel

It is not permitted for individuals without the abovementioned training or qualification to mount, install and, if required, maintain this product. This restriction does not extend to possible operating instructions.

The installation of Viega products must take place in accordance with the general rules of engineering and the Viega instructions for use.

1.2 Labelling of notes

Warning and advisory texts are set aside from the remainder of the text and are labelled with the relevant pictographs.



DANGER!

This symbol warns against possible life-threatening injury.



WARNING!

This symbol warns against possible serious injury.



CAUTION!

This symbol warns against possible injury.



NOTICE!

This symbol warns against possible damage to property.



Notes give you additional helpful tips.

1.3 About this translated version

This instruction for use contains important information about the choice of product or system, assembly and commissioning as well as intended use and, if required, maintenance measures. The information about the products, their properties and application technology are based on the current standards in Europe (e. g. EN) and/or in Germany (e. g. DIN/DVGW).

Some passages in the text may refer to technical codes in Europe/Germany. These should serve as recommendations in the absence of corresponding national regulations. The relevant national laws, standards, regulations, directives and other technical provisions take priority over the German/European directives specified in this manual: The information herein is not binding for other countries and regions; as said above, they should be understood as a recommendation.

2 Product information

2.1 Standards and regulations

The following standards and regulations apply to Germany / Europe. National regulations can be found on the relevant web site of your country at viega.com/standards.

Regulations from section: Fields of application / Mounting conditions

Scope / Notice	Regulations applicable in Germany
suitable masonry walls	EN 1996-1-1
suitable concreted walls	DIN 1045

2.2 Intended use

2.2.1 Areas of use

The model is suitable for mounting on wall constructions pursuant to the regulations in section ↗ „Regulations from section: Fields of application / Mounting conditions“ on page 6 and is intended for use in a Steptec pre-wall construction.

3 Handling

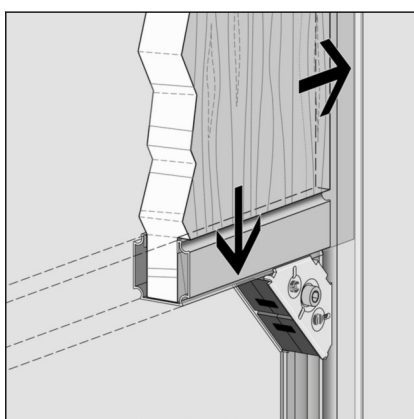
3.1 Assembly information

3.1.1 Installation dimensions

The plywood board has the following dimensions:

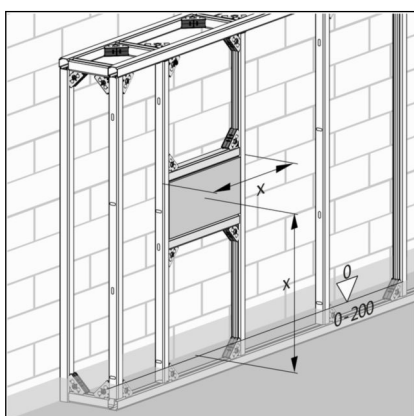
507 x 280 x 30 [mm] (W x H x D)

3.2 Assembly

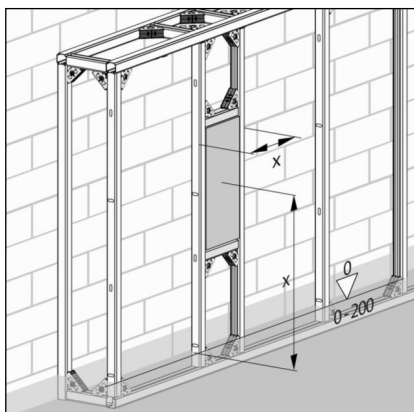


INFO! The plywood board can only be used in the open side of the rail.

- Insert the plywood board into the desired position in the lateral and lower rail.



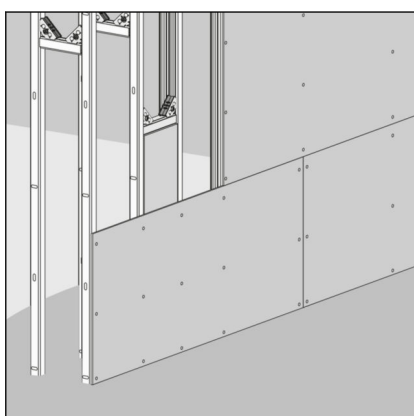
- Mount upper rail.
Attach onto the rail framework with two connectors.
- Horizontal installation:
Check height and width settings.
When doing so, also observe the equipment manufacturer's instructions.



► Vertical installation:

Check height and width settings.

When doing so, also observe the equipment manufacturer's instructions.



INFO! It is helpful to mark the position of the plywood board on the cladding panel to make processing easier.

► Single clad pre-wall: Clad with 12.5 mm wide IFGP or 12 mm wide Aqua-KS cladding panels.

When doing so, make sure that no abutting edges converge.

► Grout the abutting edges and joints with a suitable filler.

► Observe the instruction manual for the cladding panels for more information.

3.3 Disposal

Separate the product and packaging materials (e. g. paper, metal, plastic or non-ferrous metals) and dispose of in accordance with valid national legal requirements.