

Instructions for Use

Multiplex drain/overflow Visign M9



for standard bathtub, water level increase plus 5 cm

Model
6171.11

viega

Table of contents

1	About these instructions for use	3
	1.1 Target groups	3
	1.2 Labelling of notes	3
	1.3 About this translated version	4
2	Product information	5
	2.1 Standards and regulations	5
	2.2 Intended use	5
	2.2.1 Areas of use	5
	2.3 Product description	6
	2.3.1 Overview	6
	2.3.2 Technical data	7
	2.4 Accessories	7
3	Handling	8
	3.1 Assembly information	8
	3.1.1 Mounting conditions	8
	3.1.2 Installation dimensions	8
	3.1.3 Required tools and materials	9
	3.2 Assembly	10
	3.2.1 Mounting overflow	10
	3.2.2 Mounting the drain	12
	3.2.3 Connecting overflow and drain	13
	3.2.4 Connecting the wastewater system	15
	3.2.5 Mounting equipment set	16
	3.2.6 Leakage test	17
	3.3 Use	18
	3.4 Maintenance	20
	3.5 Disposal	20

1 About these instructions for use

Trade mark rights exist for this document, further information can be found at viega.com/legal.

1.1 Target groups

The information in this instruction manual is directed at the following groups of people:

- Heating and sanitary professionals and trained personnel
- Operators
- Consumers

It is not permitted for individuals without the abovementioned training or qualification to mount, install and, if required, maintain this product. This restriction does not extend to possible operating instructions.

The installation of Viega products must take place in accordance with the general rules of engineering and the Viega instructions for use.

1.2 Labelling of notes

Warning and advisory texts are set aside from the remainder of the text and are labelled with the relevant pictographs.



DANGER!

This symbol warns against possible life-threatening injury.



WARNING!

This symbol warns against possible serious injury.



CAUTION!

This symbol warns against possible injury.



NOTICE!

This symbol warns against possible damage to property.



Notes give you additional helpful tips.

1.3 About this translated version

This instruction for use contains important information about the choice of product or system, assembly and commissioning as well as intended use and, if required, maintenance measures. The information about the products, their properties and application technology are based on the current standards in Europe (e. g. EN) and/or in Germany (e. g. DIN/DVGW).

Some passages in the text may refer to technical codes in Europe/Germany. These should serve as recommendations in the absence of corresponding national regulations. The relevant national laws, standards, regulations, directives and other technical provisions take priority over the German/European directives specified in this manual: The information herein is not binding for other countries and regions; as said above, they should be understood as a recommendation.

2 Product information

2.1 Standards and regulations

The following standards and regulations apply to Germany / Europe. National regulations can be found on the relevant web site of your country at viega.com/standards.

2.2 Intended use

2.2.1 Areas of use



NOTICE!

Risk of damage due to unsuitable liquids.

To avoid damaging the drain, only introduce the following liquids:

- Typical household wastewater with temperatures up to 95 °C
- The pH value must be higher than 4 but lower than 10

The Multiplex drain/overflow is a combined drain and overflow for bathtubs with a 52 mm drain hole.

The drain/overflow is suitable for standard bathtubs with the drain on the head end.

Detailed information regarding all bathtub models and the corresponding Viega drains / overflows can be found in the catalogue or on the Internet.

2.3 Product description

2.3.1 Overview

The following components are included in the scope of delivery of the Multiplex drain / overflow:

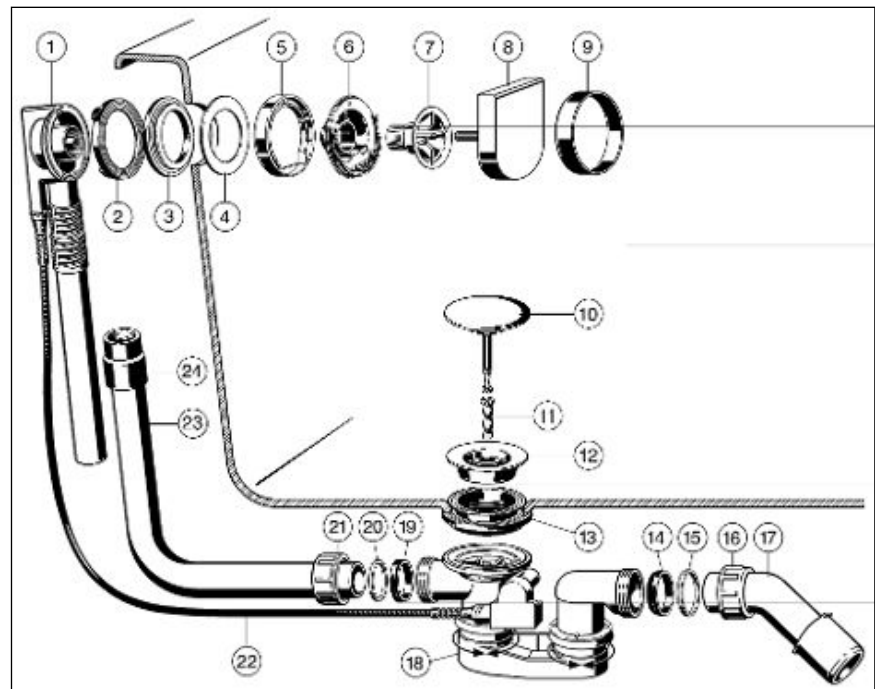


Fig. 1: Component overview

- 1 overflow unit
- 2 profile seal
- 3 seal
- 4 seal
- 5 flange cover
- 6 fixing flange
- 7 fixing screw
- 8 rotatable rosette
- 9 site protection
- 10 valve cone
- 11 fixing screw
- 12 valve top
- 13 profile seal
- 14 wedge seal
- 15 sliding ring
- 16 union nut
- 17 drain elbow
- 18 odour trap
- 19 wedge seal
- 20 sliding ring
- 21 union nut
- 22 Bowden cable
- 23 overflow pipe
- 24 sleeve

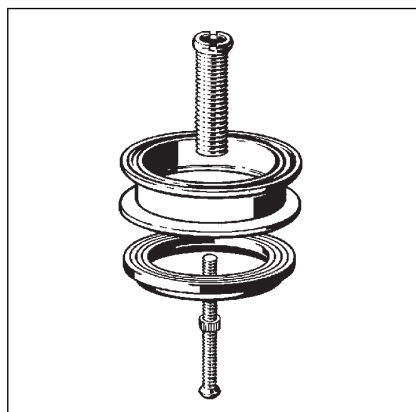
2.3.2 Technical data

Drainage capacity (at an accumulation height of 300 mm)	0.92 l/s
Overflow capacity (at an accumulation height of 60 mm)	0.55 l/s or 0.63 l/s
Diameter of bathtub drain hole	52 mm
Length of Bowden cable	725 mm
Length	130–370 mm
Height	180–430 mm
Dimensions and installation depth	☞ <i>Chapter 3.1.2 'Installation dimensions' on page 8</i>

2.4 Accessories



The accessories shown here are not included in the scope of delivery. If required, it must be purchased separately.



Multiplex extension set

It is possible to extend the odour trap below the bathtub in the case of bathtubs with a very thick floor. The extension set, model 6161.7, is available for such cases.

3 Handling

3.1 Assembly information

3.1.1 Mounting conditions

The following requirements exist for the mounting of the drain / overflow:

- The bathtub is installed.
- The drainage line is installed all the way to the bathtub.
- The underside of the bathtub is accessible.

3.1.2 Installation dimensions

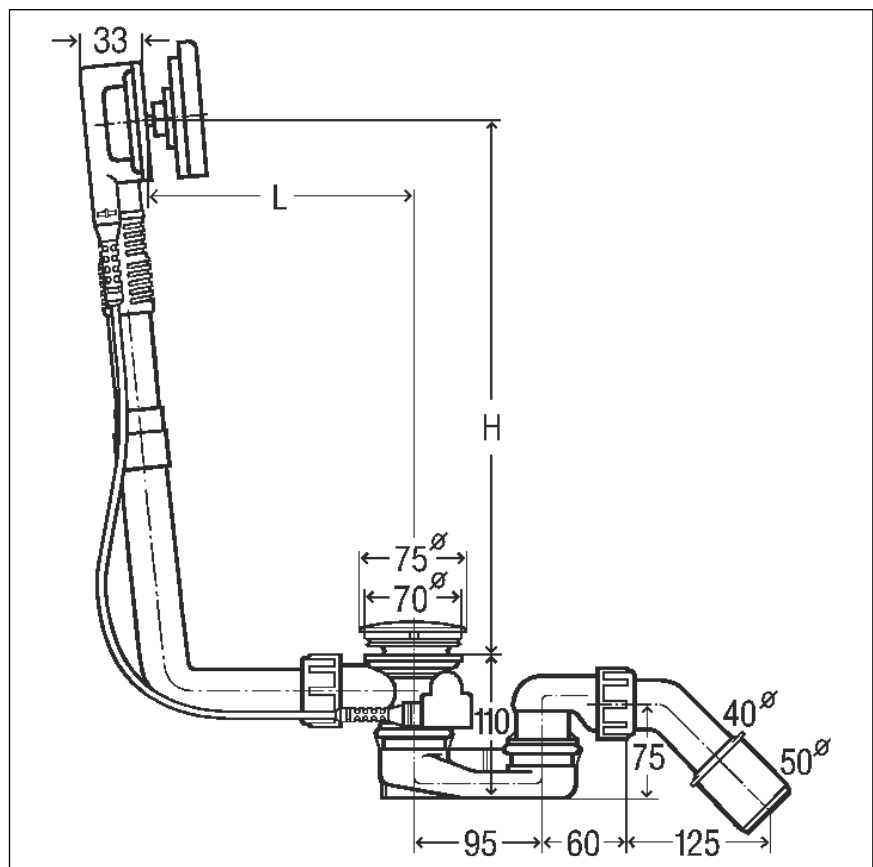


Fig. 2: Dimensional drawing

The following values are valid for L (length) and H (height):

L = 130–370

H = 180–430

3.1.3 Required tools and materials

Tool

The following tools are required for mounting:

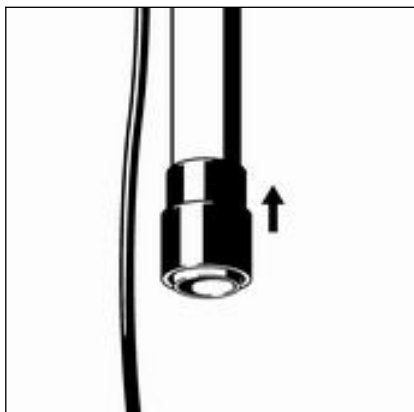
- socket spanner (size 14)
- fine-toothed saw
- flat-blade screwdriver

Material

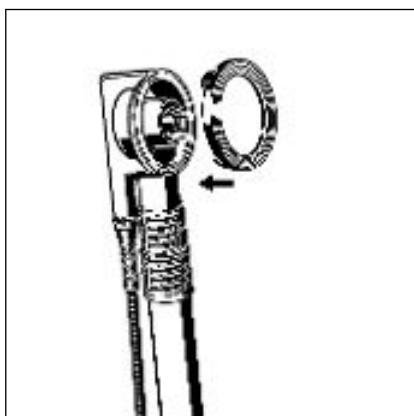
No additional material is required for the complete mounting of the product.

3.2 Assembly

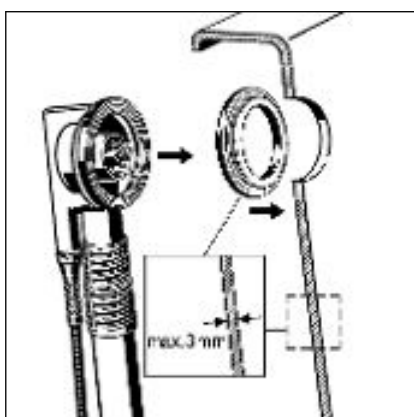
3.2.1 Mounting overflow



- Push the rubber sleeve onto the pipe of the overflow unit.
The lower edge must be flush with the edge of the overflow pipe.



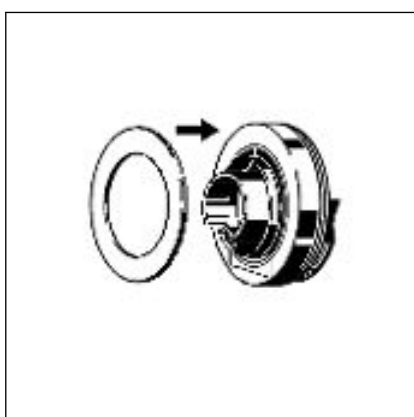
- Fit the profile seal in the overflow unit.



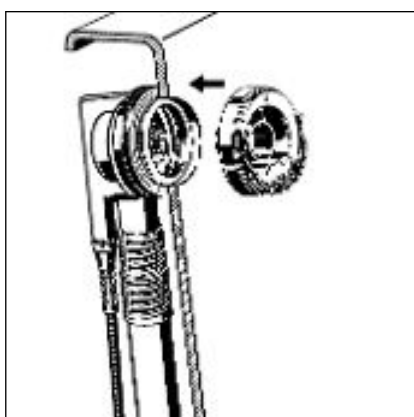
- If the wall thickness a (in the case of steel bathtubs) is less than 3 mm, insert additional seal between profile seal and bathtub.



► Join flange cover and flange.



► Place the sealing element on the flange.



► Fit the flange into the overflow unit.

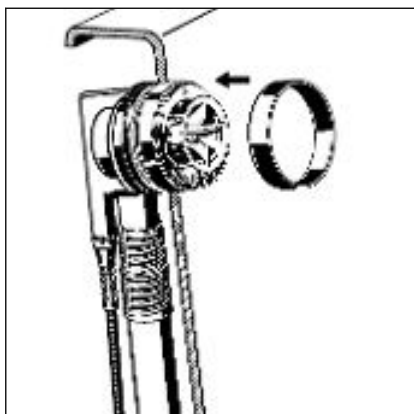


► Hold the overflow unit on the overflow opening of the bathtub from the outside.

► Insert the fixing screw in the flange.

► Screw in fixing screw in the overflow unit.

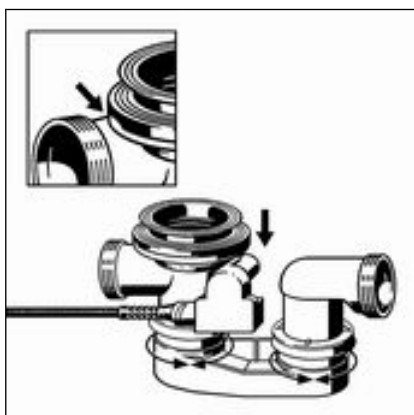
NOTICE! Pliers or other tools may damage the fixing screw or the flange. Only tighten the fixing screw by hand.



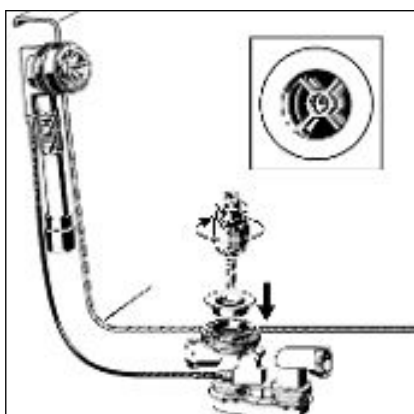
- Place the site protection on the flange.

3.2.2 Mounting the drain

Proceed as follows to mount the drain:



- Place the double seal onto the drain unit in such a way that the recess is positioned above the connecting pipe.
- Pull the edge of the double seal over the edge of the drain.



- Hold the drain with double seal onto the drain opening from below.
- Pull the upper part of the double seal through the drain hole.
- Fit the valve top in the double seal.

INFO! The cross-shaped structures of the drain unit and the valve top must be positioned parallel on top of each other to ensure the full drainage capacity.

- Place the fixing screw in the drain unit and tighten using the mounting aid.

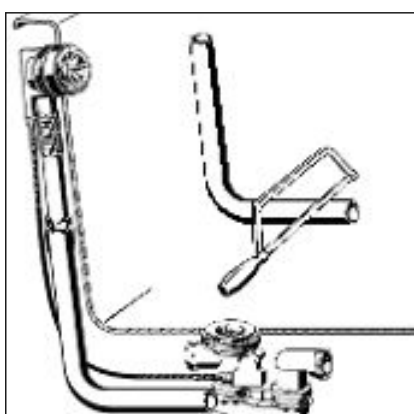
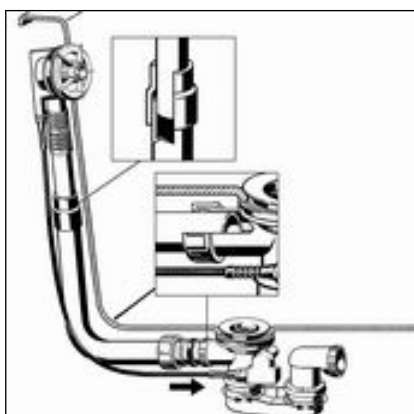
3.2.3 Connecting overflow and drain

After the overflow and the drain have been mounted, you must connect them both using the overflow pipe. Proceed as follows:

Requirements:

- The overflow is mounted in the overflow opening.
- The drain is securely mounted on the base of the bathtub.

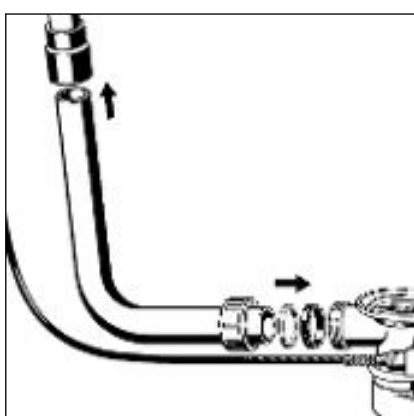
NOTICE! Connections where the pipes are not inserted far enough into each other become leaky. For this reason, maintain a minimum insertion depth of 15 mm for every connection.



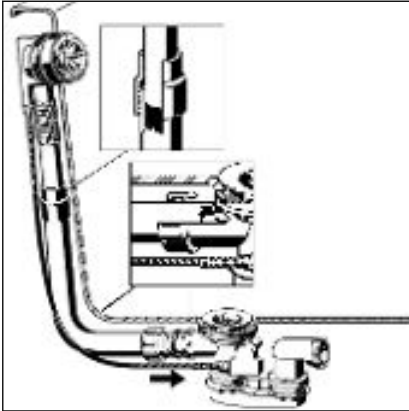
- Hold the pipe of the overflow unit parallel to the overflow pipe and mark the positions where the drain and the overflow should be connected.

Maintain an insertion depth of at least 15 mm!

- Cut the overflow pipe to the marked length and, if necessary, deburr.



- Push the top end of the overflow pipe into the rubber sleeve.
Maintain an insertion depth of at least 15 mm!
- Push the union nut, sliding ring and seal onto the bottom end of the drain elbow.
- Screw the union nut on the drain unit.



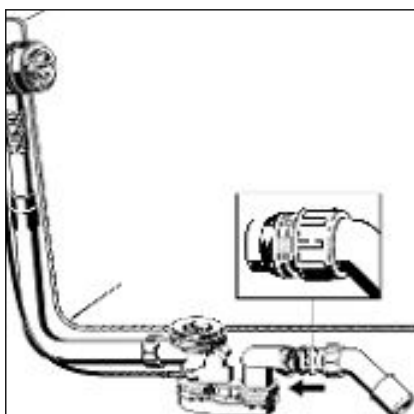
- Ensure that the pipe is inserted at least 1.5 cm into the sleeve and is positioned in the drain casing.

3.2.4 Connecting the wastewater system

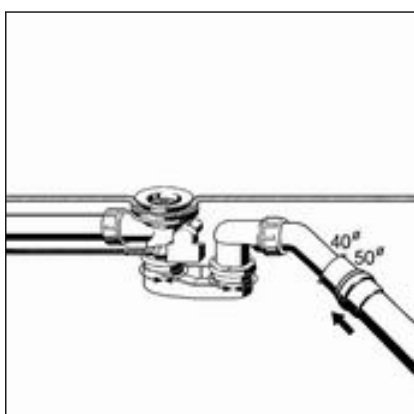
Proceed as follows to connect the drain/overflow to the wastewater system:

Requirements:

- The overflow and drain units are installed on the bathtub.
- The connection between overflow and drain has been made.
- If the wastewater pipe only has a diameter of 40 mm, cut off drain elbow.



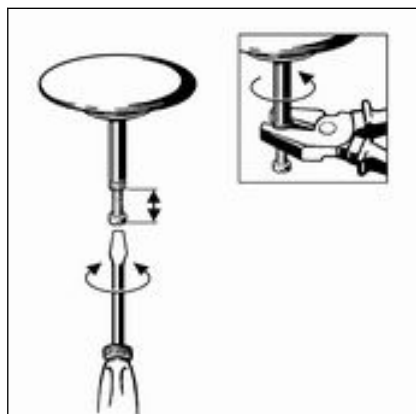
- Push union nut, sliding ring and seal onto the drain elbow.
- Ensure that the seal is positioned securely in the recess.
- Screw the union nut on the drain unit.



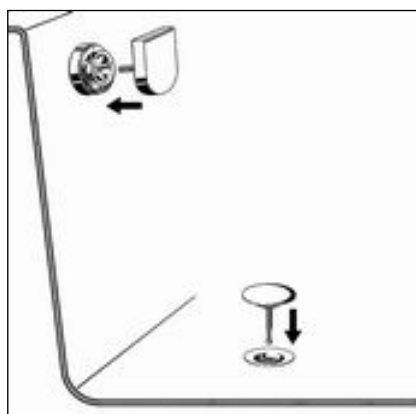
- Align the odour trap in such a way that the drain elbow can be connected to the wastewater pipe.
- Push wastewater pipe in the drain elbow.

3.2.5 Mounting equipment set

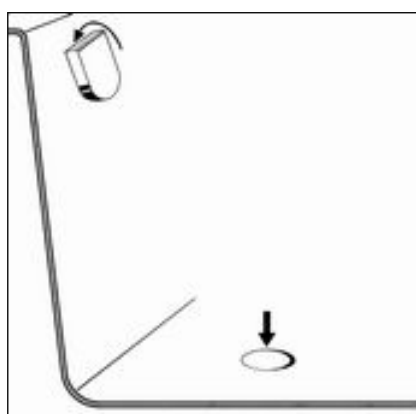
To avoid damage to the rosette and valve cone, only mount the equipment set after finishing all other work on the building site. Proceed as follows:



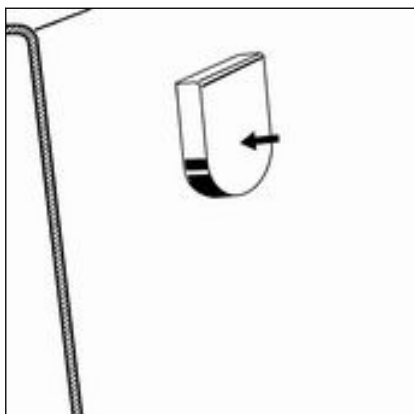
- Set the valve cone with the help of the adjusting screw and counter with nut.



- Remove red site protection.
- Fit valve cone.
- Fit the rotatable rosette loosely (not all the way).



- To align, turn rotatable rosette as far as it will go to the left.
 - The valve cone closes itself.

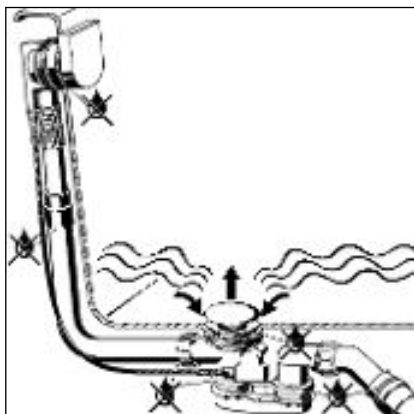


- Remove rotatable rosette.
- Fit rotatable rosette with the flat side facing upwards.
- The rotatable rosette is properly aligned.

3.2.6 Leakage test

The leakage test is only carried out as a visual inspection.

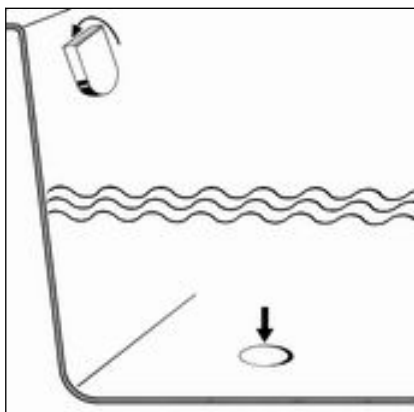
Check the points marked in the following drawing with particular care:



- Check drain/overflow fitting for visible leaks.

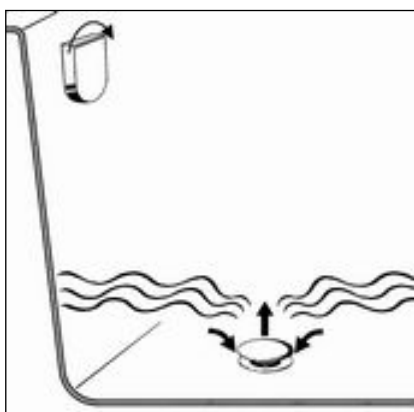
3.3 Use

The drain / overflow are controlled via the rotatable rosette on the overflow. Proceed as follows to open or close the drain:



► Turn rotatable rosette to the left.

◻ The drain closes itself.

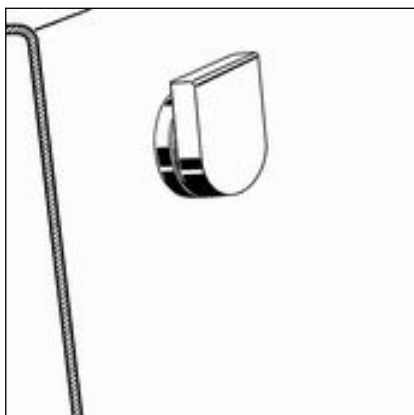


► Turn rotatable rosette to the right.

◻ The drain opens itself.

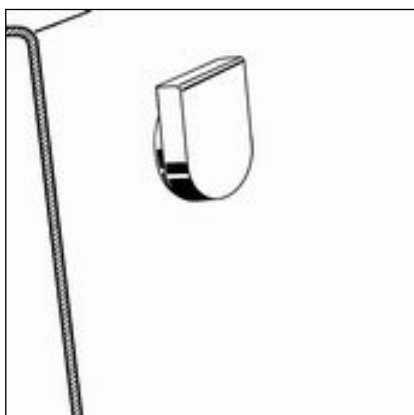
Functionality of the water level increase

The water level increase occurs as follows:



The water level increase is off when the rotatable rosette is pulled out.

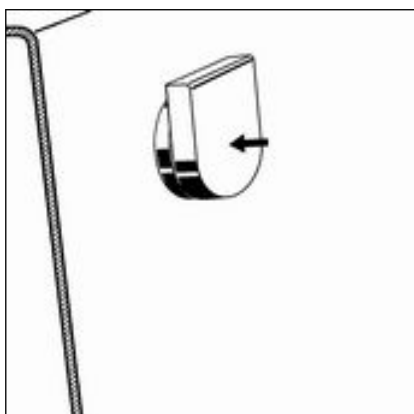
Draining takes place directly via the drain opening behind the rotatable rosette.



The water level increase is on when the rotatable rosette is pushed in.

Draining takes place directly via the drain opening on the upper edge of the rotatable rosette.

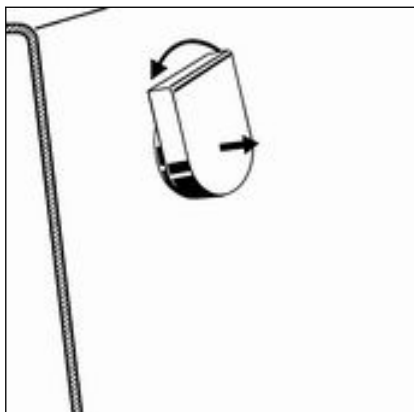
Activating water level increase



► Push the rotatable rosette towards the rim of the bathtub.

□ The water level increase is activated.

Deactivating water level increase



- ▶ There are two methods of deactivating the water level increase:
 - Pull out rotatable rosette.
 - Turn rotatable rosette to the left.
- ▷ The water level increase is deactivated.

3.4 Maintenance



NOTICE! Risk of damage due to unsuitable cleaning agent.

The following cleaning agents can damage chrome-plated surfaces and therefore may not be used:

- scouring agent
- abrasive sponges
- lime, plaster or cement dissolver
- solvents or other acidic cleaning agents

Normal soap or a mild cleaning agent can be used for regular care and prevention of lime scale on the rotatable rosette and valve cone. Under no circumstances should scouring agent or scratching objects be used.

Strong stains, even around the drain unit and the siphon, can be removed using typical household cleaner. It should be noted that the cleaning agent should be rinsed off after the prescribed soaking time. There should be no residue on the components.

3.5 Disposal

Separate the product and packaging materials (e. g. paper, metal, plastic or non-ferrous metals) and dispose of in accordance with valid national legal requirements.



Viega GmbH & Co. KG
service-technik@viega.de
viega.com

INT • 2022-08 • VPN170027

