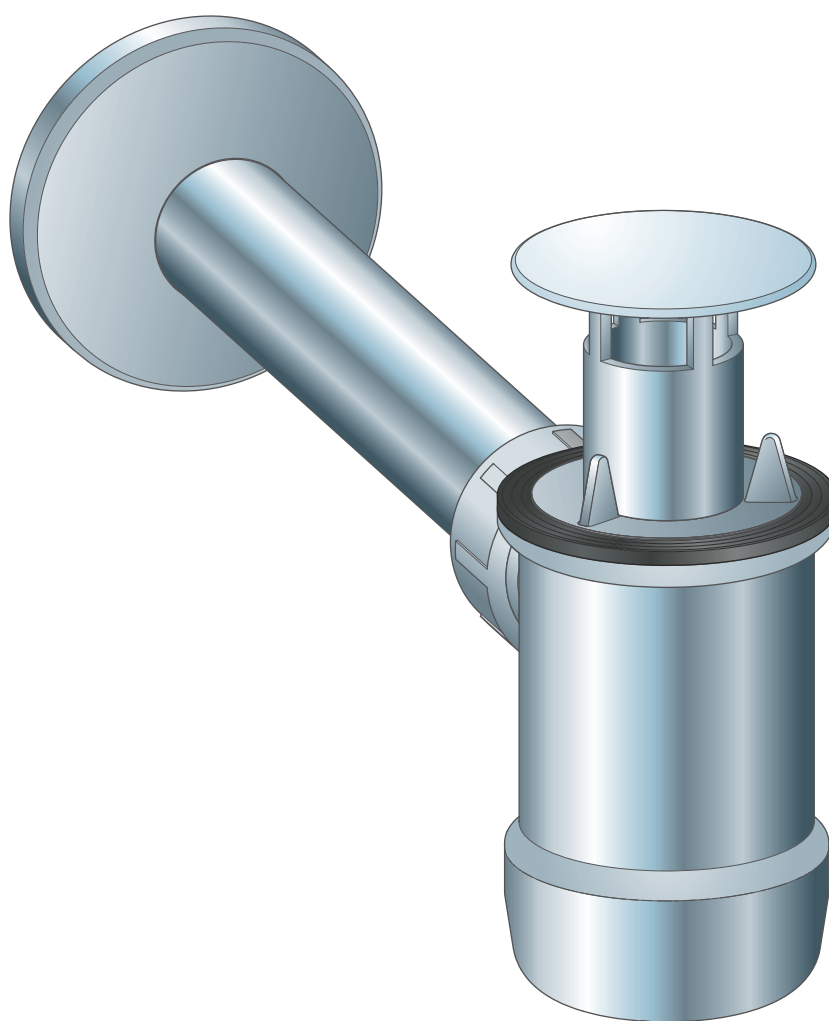


Instructions for Use

Bottle odour trap



for washbasins without overflow

Model
5421

Year built (from)
10/2003

Table of contents

1	About these instructions for use	3
	1.1 Target groups	3
	1.2 Labelling of notes	3
	1.3 About this translated version	4
2	Product information	5
	2.1 Intended use	5
	2.1.1 Areas of application	5
	2.2 Product description	6
	2.2.1 Overview	6
	2.2.2 Technical data	6
3	Handling	7
	3.1 Assembly information	7
	3.1.1 Installation dimensions	7
	3.2 Assembly	8
	3.2.1 Mounting the bottle odour trap	8
	3.3 Care	9
	3.4 Disposal	10

1 About these instructions for use

Trade mark rights exist for this document; for further information, go to viega.com/legal.

1.1 Target groups

The information in this instruction manual is directed at the following groups of people:

- Heating and plumbing experts and trained personnel
- Consumers

Individuals without the abovementioned training or qualification are not permitted to mount, install and, if required, maintain this product. This restriction does not extend to possible operating instructions.

The installation of Viega products must take place in accordance with the general rules of engineering and the Viega instructions for use.

1.2 Labelling of notes

Warning and advisory texts are set aside from the remainder of the text and are labelled with the relevant pictographs.



DANGER!

This symbol warns of possible life-threatening injury.



WARNING!

This symbol warns of possible serious injury.



CAUTION!

This symbol warns of possible injury.



NOTICE!

This symbol warns of possible damage to property.



This symbol gives additional information and hints.

1.3 About this translated version

This instruction for use contains important information about the choice of product or system, assembly and commissioning as well as intended use and, if required, maintenance measures. The information about the products, their properties and application technology are based on the current standards in Europe (e.g. EN) and/or in Germany (e.g. DIN/DVGW).

Some passages in the text may refer to technical codes in Europe/Germany. These should serve as recommendations in the absence of corresponding national regulations. The relevant national laws, standards, regulations, directives and other technical provisions take priority over the German/European directives specified in this manual: The information herein is not binding for other countries and regions; as said above, they should be understood as a recommendation.

2 Product information

2.1 Intended use

2.1.1 Areas of application

**NOTICE!****Risk of damage due to unsuitable liquids**

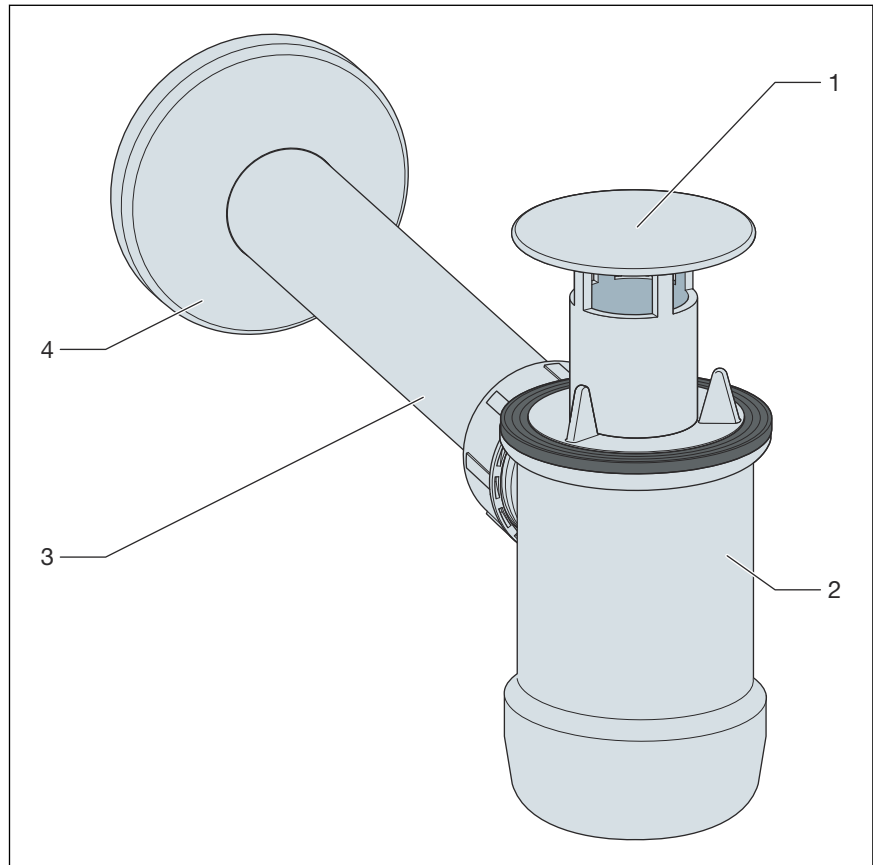
To avoid damaging the drain, only introduce the following liquids:

- Typical household wastewater with temperatures up to 95 °C
- The pH value must be higher than 4 but lower than 10.

The bottle odour trap is suitable for standard washbasins without overflow.

2.2 Product description

2.2.1 Overview



- 1 Cover plate standpipe
- 2 Bottle odour trap with cup
- 3 Drainpipe
- 4 Rosette

2.2.2 Technical data

DN (nominal width) outlet pipe	DN 32 mm
Water seal level	50 mm

3 Handling

3.1 Assembly information

3.1.1 Installation dimensions

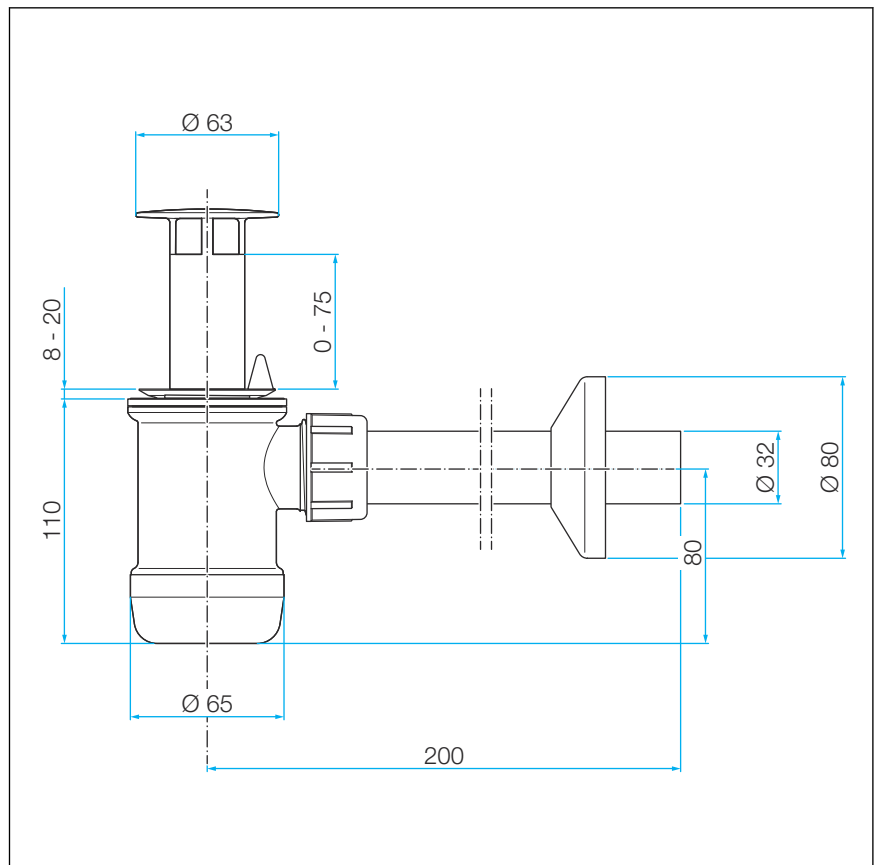


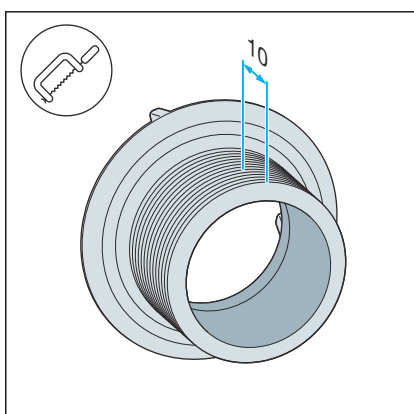
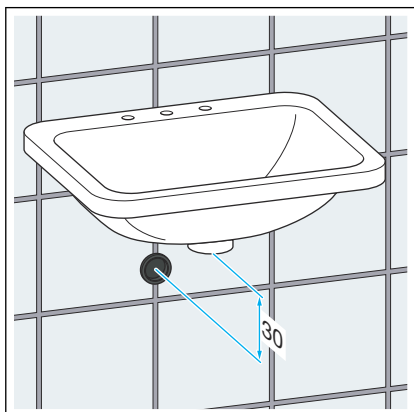
Fig. 1: Dimensional drawing

3.2 Assembly

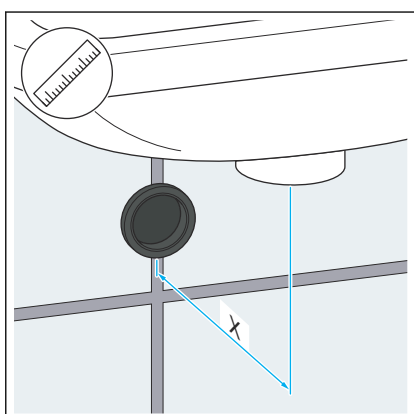
3.2.1 Mounting the bottle odour trap

Requirements:

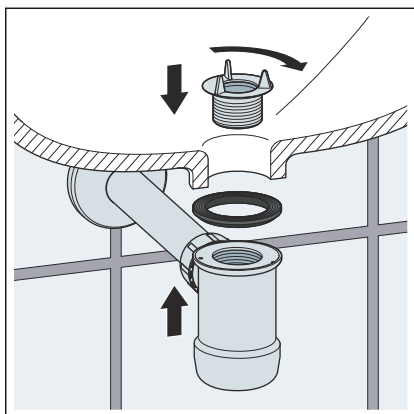
- The washbasin is mounted.
- The drain pipeline is installed.
- Determine the measurement from the lower edge of the washbasin (UKWT) to the centre of the wall pipe opening.



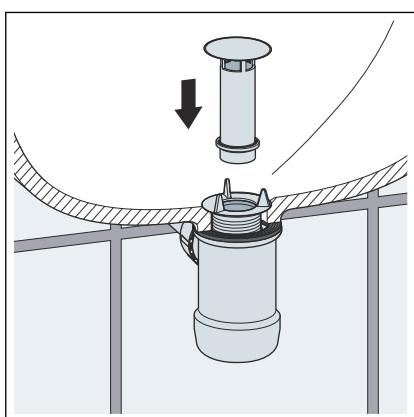
- When installing in a steel washbasin, shorten the basin valve by 10 mm.
- Chamfer the thread with a file.



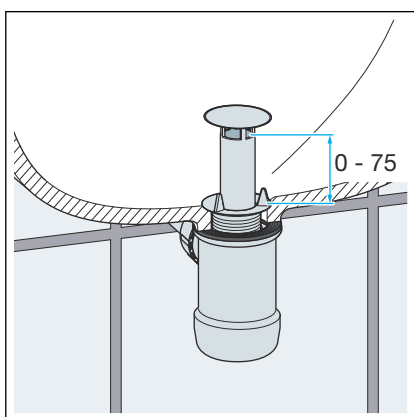
- Determine the dimension between the drain and the wall pipe.
- Adjust the drain pipe.



► Screw the basin valve into the odour trap.



► Push the standpipe all the way in.



► The water level height can be adjusted by up to 75 mm.

3.3 Care



NOTICE!
Risk of damage due to unsuitable cleaning agent.

The following cleaning agents can damage chrome-plated surfaces and therefore may not be used:

- Scouring agent
- Abrasive sponges
- Lime, plaster or cement dissolver
- Solvents or other acidic cleaning agents

Use household cleaner to remove coarse soiling, also around the odour trap. Rinse the detergent thoroughly with clear water after the prescribed exposure time. There should be no residue on the components.

3.4 Disposal

Separate the product and packaging materials (e. g. paper, metal, plastic or non-ferrous metals) and dispose of in accordance with valid national legal requirements.



Viega GmbH & Co. KG
service-technik@viega.de
viega.com

INT • 2022-08 • VPN210510

