

Instructions for Use

Sink basin module



for sink basins

Model
8131.3

Year built (from)
03/2009

viega

Table of contents

1	About these instructions for use	3
	1.1 Target groups	3
	1.2 Labelling of notes	3
	1.3 About this translated version	4
2	Product information	5
	2.1 Standards and regulations	5
	2.2 Intended use	5
	2.2.1 Areas of use	5
	2.3 Product description	6
	2.3.1 Overview	6
	2.3.2 Compatible components	6
	2.3.3 Sound protection	6
3	Handling	7
	3.1 Assembly information	7
	3.1.1 Mounting conditions	7
	3.1.2 Installation dimensions	7
	3.1.3 Required tools	7
	3.2 Assembly	8
	3.2.1 Mounting module	8
	3.2.2 Rounding off jobs	10
	3.3 Disposal	10

1 About these instructions for use

Trade mark rights exist for this document, further information can be found at viega.com/legal.

1.1 Target groups

The information in this instruction manual is directed at the following groups of people:

- Heating and sanitary professionals and trained personnel
- Consumers

It is not permitted for individuals without the abovementioned training or qualification to mount, install and, if required, maintain this product. This restriction does not extend to possible operating instructions.

The installation of Viega products must take place in accordance with the general rules of engineering and the Viega instructions for use.

1.2 Labelling of notes

Warning and advisory texts are set aside from the remainder of the text and are labelled with the relevant pictographs.



DANGER!

This symbol warns against possible life-threatening injury.



WARNING!

This symbol warns against possible serious injury.



CAUTION!

This symbol warns against possible injury.



NOTICE!

This symbol warns against possible damage to property.



Notes give you additional helpful tips.

1.3 About this translated version

This instruction for use contains important information about the choice of product or system, assembly and commissioning as well as intended use and, if required, maintenance measures. The information about the products, their properties and application technology are based on the current standards in Europe (e. g. EN) and/or in Germany (e. g. DIN/DVGW).

Some passages in the text may refer to technical codes in Europe/Germany. These should serve as recommendations in the absence of corresponding national regulations. The relevant national laws, standards, regulations, directives and other technical provisions take priority over the German/European directives specified in this manual: The information herein is not binding for other countries and regions; as said above, they should be understood as a recommendation.

2 Product information

2.1 Standards and regulations

The following standards and regulations apply to Germany / Europe. National regulations can be found on the relevant web site of your country at viega.com/standards.

Regulations from section: Fields of application / Mounting conditions

Scope / Notice	Regulations applicable in Germany
suitable masonry walls	EN 1996-1-1
suitable concreted walls	DIN 1045

Regulations from section: Sound protection

Scope / Notice	Regulations applicable in Germany
Fulfilled noise protection requirements	DIN 4109
Fulfilled noise protection requirements	DIN 4109 (additional sheet 2)
Fulfilled noise protection requirements	VDI 4100 SSt I-SSt II

2.2 Intended use

2.2.1 Areas of use

The Viega sink basin module is suitable for mounting on wall constructions pursuant to the regulations in section ↗ 'Regulations from section: Fields of application / Mounting conditions' on page 5 and is intended for use in a Steptec pre-wall construction.

2.3 Product description

2.3.1 Overview

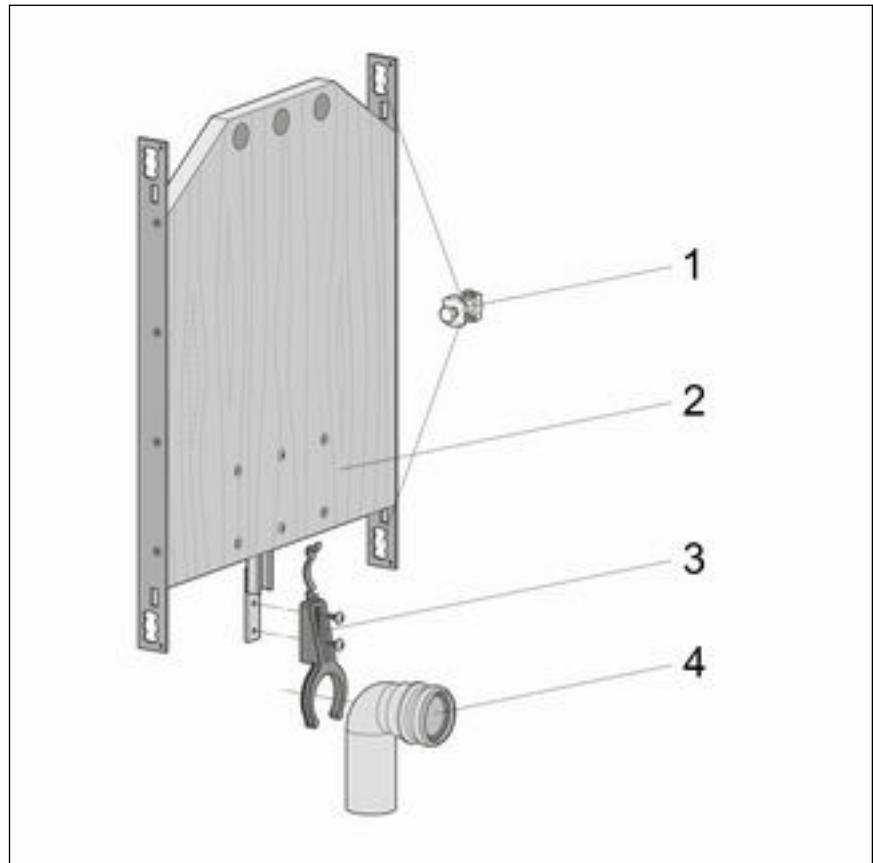


Fig. 1: Scope of delivery

- 1 - slot nut
- 2 - sink basin
- 3 - mounting bracket for drain elbow
- 4 - drain elbow

2.3.2 Compatible components

The module is compatible with all common sink basins.

2.3.3 Sound protection

The sink basin element complies with the noise insulation requirements specified in section ↗ *'Regulations from section: Sound protection'* on page 5.

3 Handling

3.1 Assembly information

3.1.1 Mounting conditions

Suitable walls

For this, observe the Steptec system instructions for use.

Construction height

With the construction height, the marked height of the upper edge of the finished floor must be observed.

3.1.2 Installation dimensions

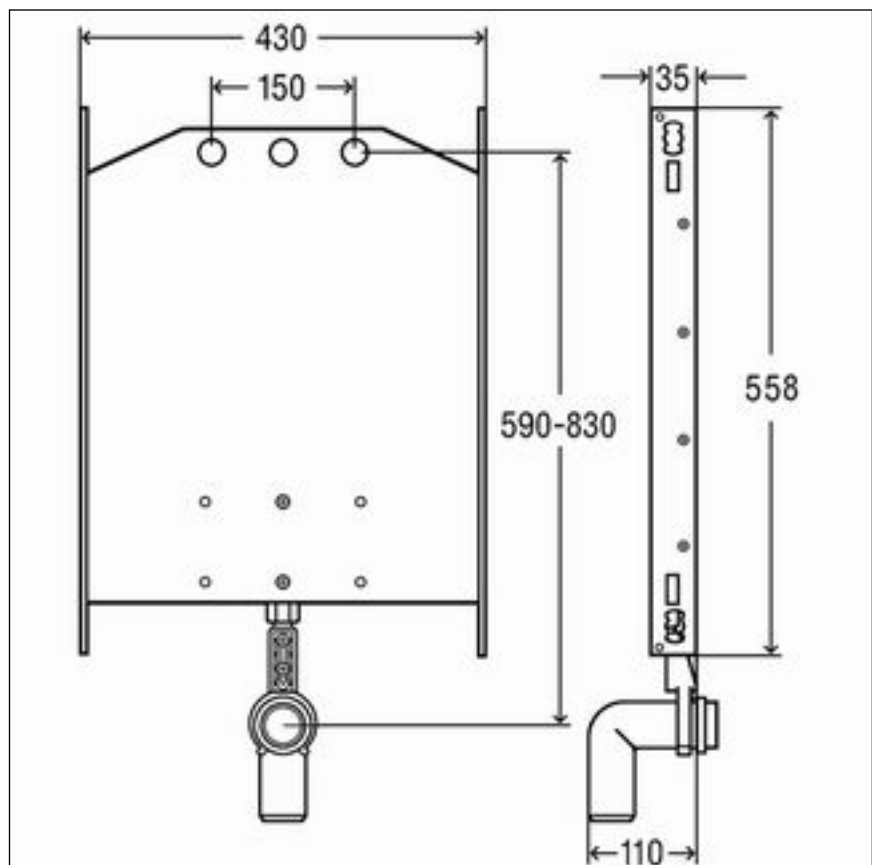


Fig. 2: Dimensions

3.1.3 Required tools

The following tools are required for mounting:

- fork or ring spanner: 17 mm / 19 mm
- Phillips-tip screwdriver

3.2 Assembly

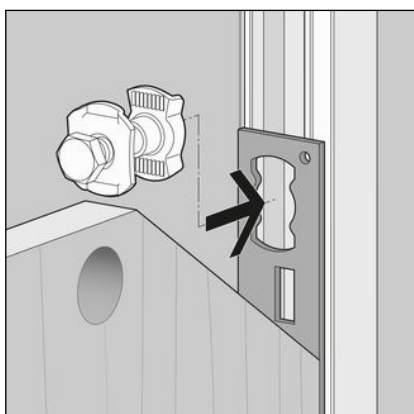
3.2.1 Mounting module

Mounting in Steptec



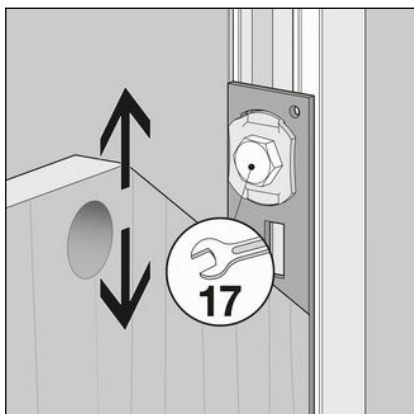
The two vertical rails, which surround the module, must be open towards the module and be at an interval of 430 mm.

- Secure the module onto the open Steptec rail with the slot nuts supplied:
- Insert the slot nut into the opening.

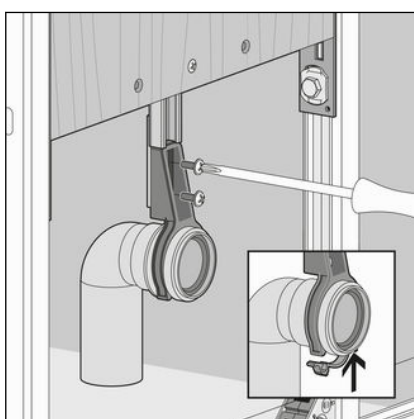


- Push the slot nut in slightly.
- Turn by 90°.
- The slot nut is secured in the Steptec rail.

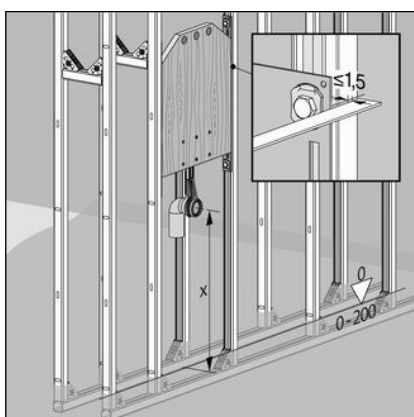




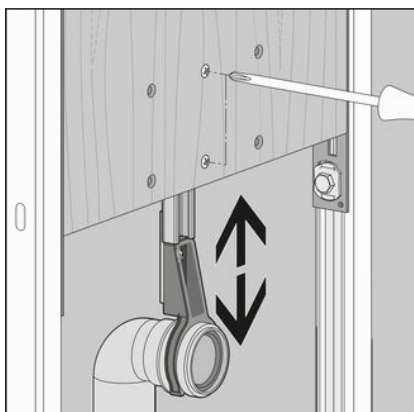
- Align the height of the module.
- Tighten the slot nut with a ring spanner (SW 17).
- Tighten the other slot nuts in the same way.
- The module is secured on the rail framework.



- Place the drain elbow in the intended bracket.
 - Close the bow around the drainpipe.
 - Set the desired height for the drain elbow.
- Tighten the screws with a Phillips screwdriver.



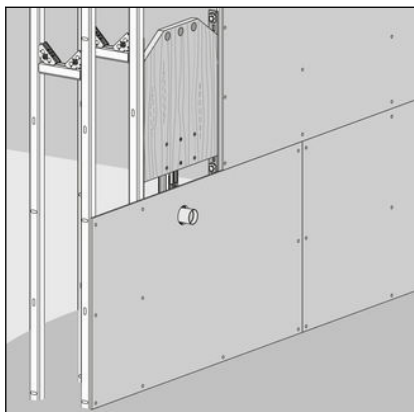
- Check height settings.
- When doing so, observe the sink basin's manufacturer's instructions (X).
- Make sure that the fixing ends flush with the rail framework. The fixing may extend for a maximum of 1.5 mm beyond the rail framework.



INFO! Do not unscrew the screws completely.

- Set the distance from the drain elbow to the sink basin module using the two middle screws on the module.
- To do this, loosen the screws slightly and set the desired height. Re-tighten screws.

3.2.2 Rounding off jobs



- Single clad pre-wall: Clad with 12.5 mm wide IFGP or 12 mm wide Aqua-KS cladding panels.

When doing so, make sure that no abutting edges converge.

- Grout the abutting edges and joints with a suitable filler.
- Observe the instruction manual for the cladding panels for more information.

3.3 Disposal

Separate the product and packaging materials (e. g. paper, metal, plastic or non-ferrous metals) and dispose of in accordance with valid national legal requirements.



Viega GmbH & Co. KG
service-technik@viega.de
viega.com

INT • 2022-08 • VPN170196

