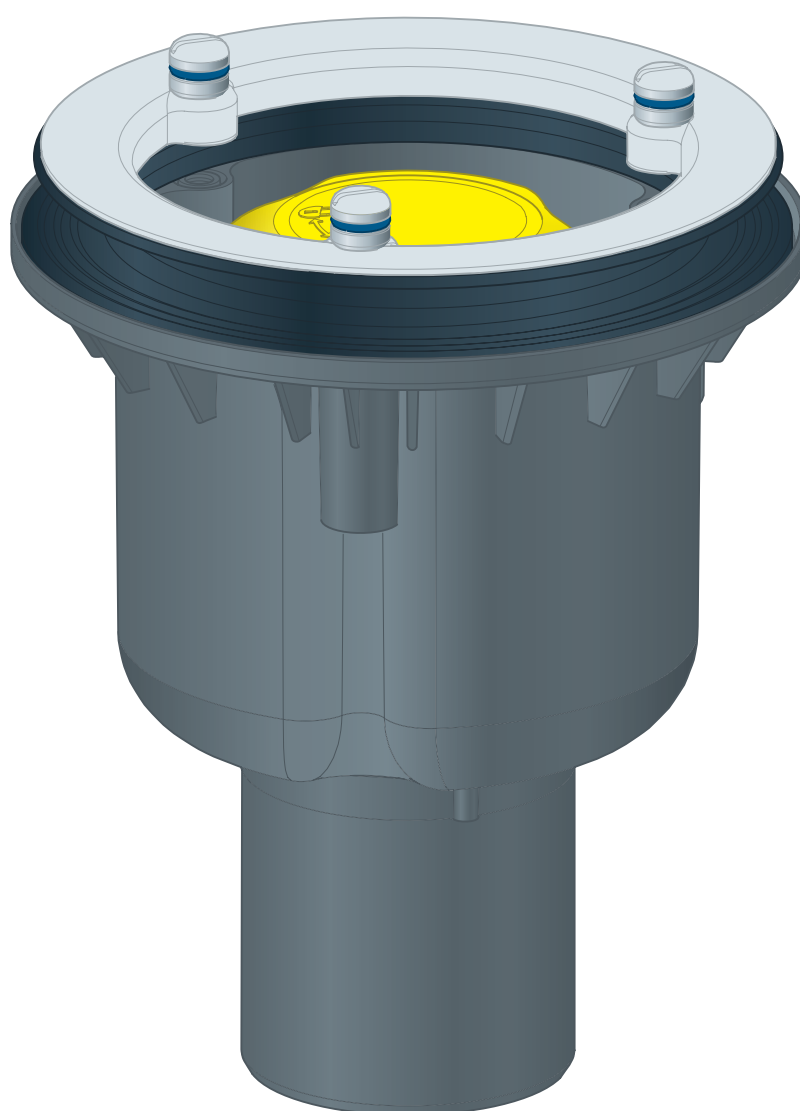


# Instructions for Use

## Tempoplex drain



for shower trays

**Model**  
6965.1

**Year built (from)**  
12/2020

**viega**

# Table of contents

<b>1</b>	<b>About these instructions for use</b>	<b>3</b>
	1.1 Target groups	3
	1.2 Labelling of notes	3
	1.3 About this translated version	4
<b>2</b>	<b>Product information</b>	<b>5</b>
	2.1 Intended use	5
	2.1.1 Areas of application	5
	2.2 Product description	6
	2.2.1 Overview	6
	2.2.2 Technical data	6
	2.3 Accessories	7
<b>3</b>	<b>Handling</b>	<b>8</b>
	3.1 Assembly information	8
	3.1.1 Mounting conditions	8
	3.1.2 Installation dimensions	8
	3.2 Assembly	9
	3.2.1 Mounting the drain	9
	3.2.2 Connecting the wastewater system	12
	3.2.3 Leakage test	12
	3.3 Care	12
	3.4 Cleaning the drain	13
	3.5 Disposal	15

# 1 About these instructions for use

Trade mark rights exist for this document; for further information, go to [viega.com/legal](http://viega.com/legal).

## 1.1 Target groups

The information in this instruction manual is directed at the following groups of people:

- Heating and plumbing experts and trained personnel
- Operators
- Consumers

Individuals without the abovementioned training or qualification are not permitted to mount, install and, if required, maintain this product. This restriction does not extend to possible operating instructions.

The installation of Viega products must take place in accordance with the general rules of engineering and the Viega instructions for use.

## 1.2 Labelling of notes

Warning and advisory texts are set aside from the remainder of the text and are labelled with the relevant pictographs.



### **DANGER!**

This symbol warns of possible life-threatening injury.



### **WARNING!**

This symbol warns of possible serious injury.



### **CAUTION!**

This symbol warns of possible injury.



### **NOTICE!**

This symbol warns of possible damage to property.



This symbol gives additional information and hints.

### 1.3 About this translated version

This instruction for use contains important information about the choice of product or system, assembly and commissioning as well as intended use and, if required, maintenance measures. The information about the products, their properties and application technology are based on the current standards in Europe (e.g. EN) and/or in Germany (e.g. DIN/DVGW).

Some passages in the text may refer to technical codes in Europe/Germany. These should serve as recommendations in the absence of corresponding national regulations. The relevant national laws, standards, regulations, directives and other technical provisions take priority over the German/European directives specified in this manual: The information herein is not binding for other countries and regions; as said above, they should be understood as a recommendation.

## 2 Product information

### 2.1 Intended use

#### 2.1.1 Areas of application

**NOTICE!****Risk of damage due to unsuitable liquids**

To avoid damaging the drain, only introduce the following liquids:

- Typical household wastewater with temperatures up to 95 °C
- The pH value must be higher than 4 but lower than 10.

The Tempoplex drain is a drain with odour trap for shower trays with a 90 mm drain hole.

Detailed information regarding all shower tray models and the corresponding Viega drains can be found in the catalogue or on the Internet.

## 2.2 Product description

### 2.2.1 Overview

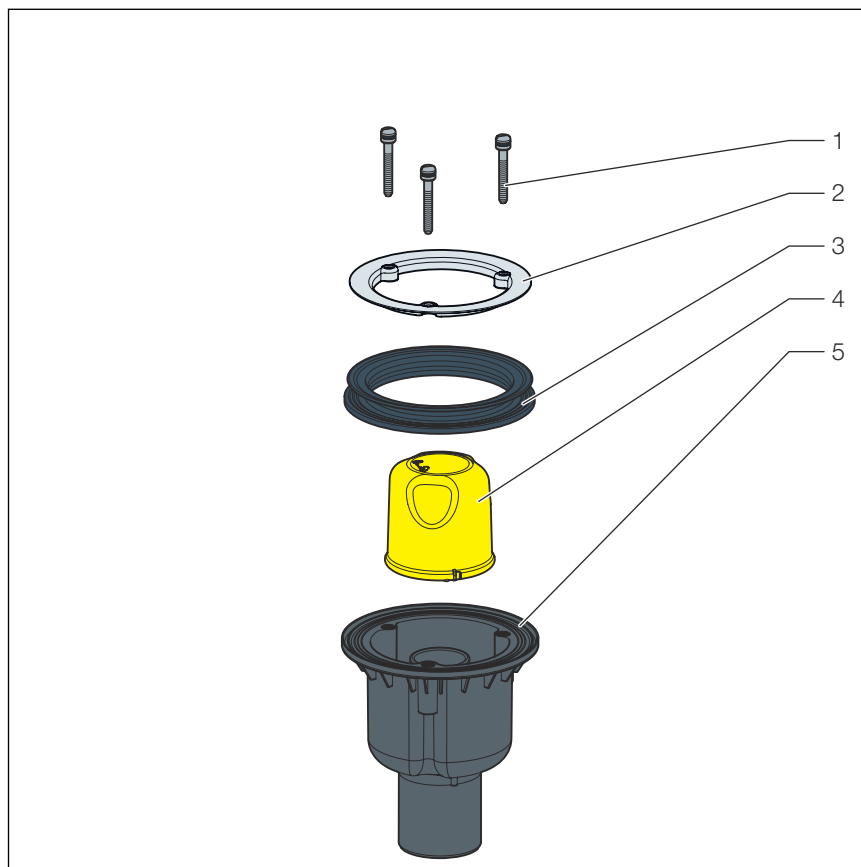


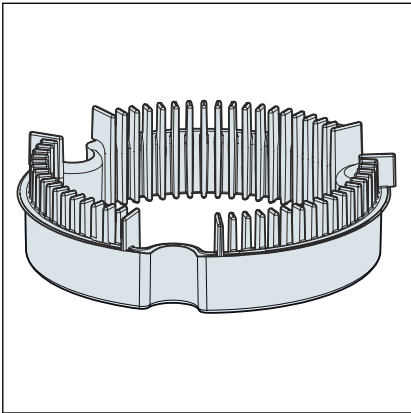
Fig. 1: Components

- 1 Screws
- 2 Fixing flange
- 3 Seal
- 4 Bell-shaped piece
- 5 Odour trap

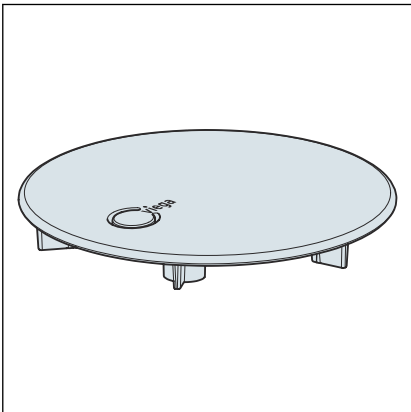
### 2.2.2 Technical data

Drainage capacity at an accumulation height of 15 mm	0.62 l/s
Diameter of drain hole	90 mm
DN (nominal diameter) outlet pipe	40 / 50 mm
Height	137 mm
Dimensions and installation depth	↳ Chapter 3.1.2 'Installation dimensions' on page 8
Water seal level	50 mm
Drill hole	>120 mm

## 2.3 Accessories



Hair trap screen model 6965.90.



Cover plate model 6964.0.

## 3 Handling

### 3.1 Assembly information

#### 3.1.1 Mounting conditions

The following requirements exist for the mounting of the drain:

- The drain pipeline is installed.
- A ceiling opening is in place (drill hole of > 120 mm).
- The drainage capacity is sufficient at an accumulation height of 15 mm.

#### 3.1.2 Installation dimensions

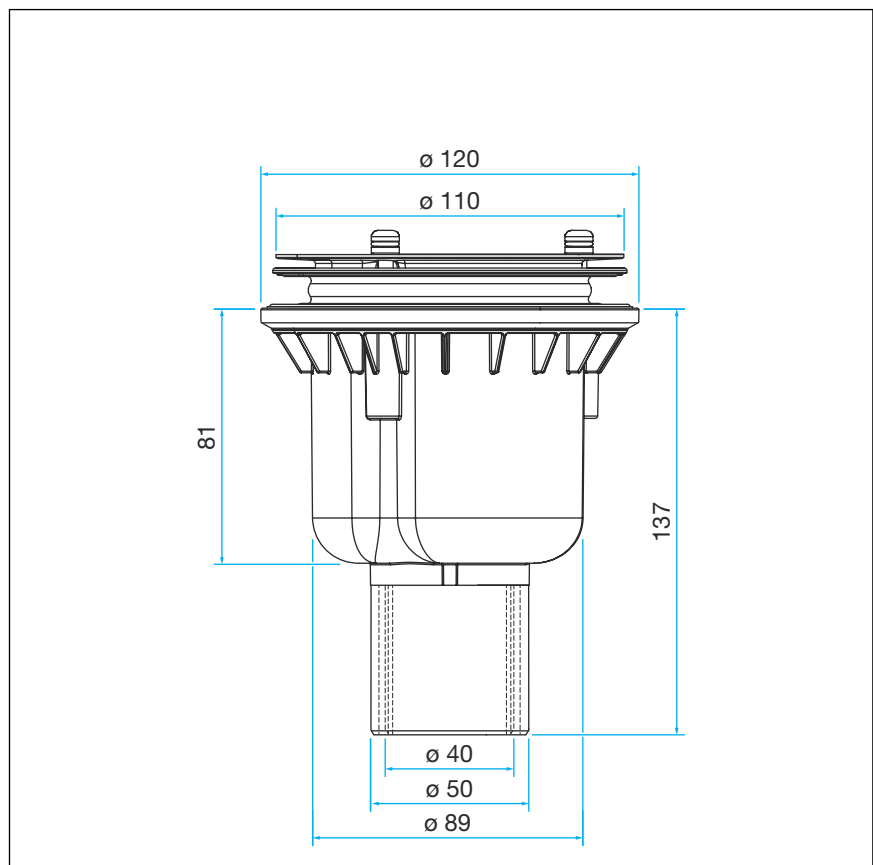


Fig. 2: Dimensional drawing



## 3.2 Assembly

### 3.2.1 Mounting the drain

#### Reducing drainpipe to DN 40

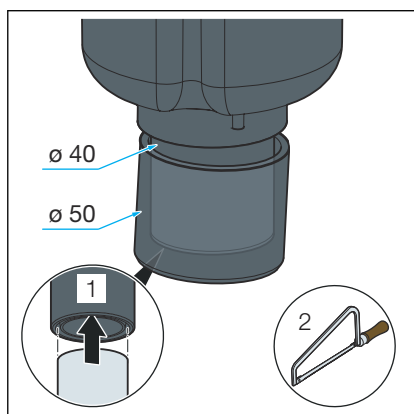
Requirements:

- Check whether the reduction to DN 40 conforms to the country-specific requirements and standards.

**NOTICE!** When cutting the 50 mm outer pipe to length, the 40 mm inner pipe must not become damaged.

**INFO!** When sawing the outer pipe, insert a rounded metal strip between the inner and the outer pipe.

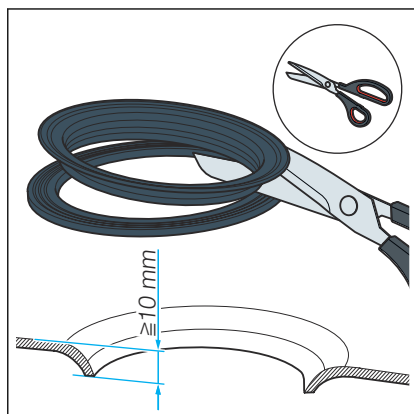
- If the wastewater pipe has a diameter of only 40 mm, saw off the drainpipe at the marked position.



#### Separating seal

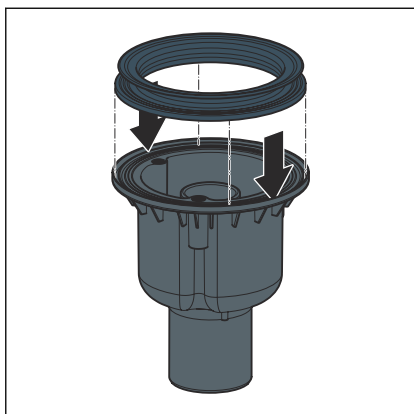
If the shower tray bottom is thicker than 10 mm, separate the seal:

- Cut the seal into two pieces at the sealing bead.

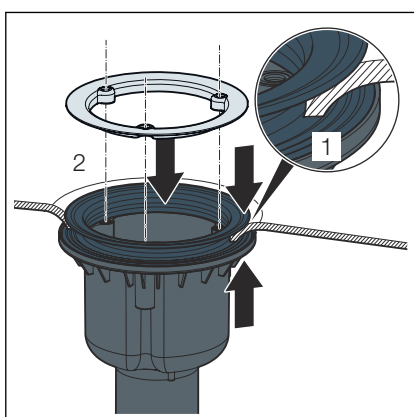


#### Inserting seal

Proceed as follows to mount the drain:



- Place the seal on the sealing surface of the drain and push into the retaining groove.

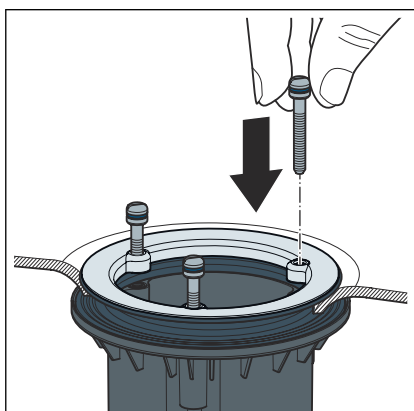


- Position the drain with seal under the shower tray.
- Guide the upper part of the seal through the drain opening.

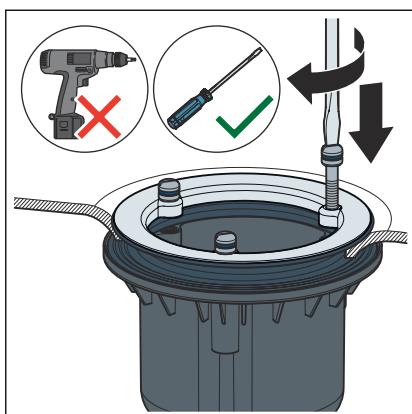
**INFO!** If the seal had to be split: Place the bottom part of the seal in the retaining groove of the drain casing and the other seal part on the drain hole of the shower tray.

- Fit the fixing flange.

### Securing drain

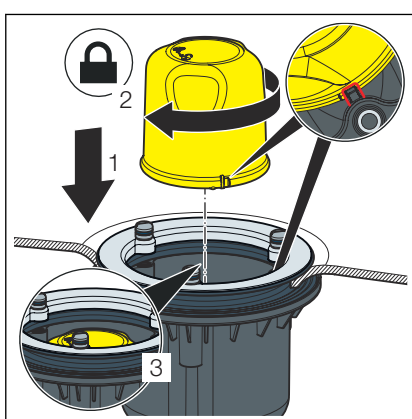


- Insert the screws by hand.

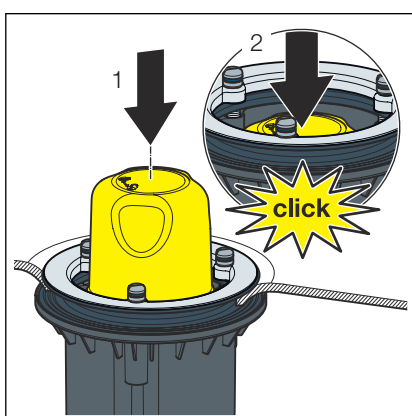


**NOTICE!** Only use a screwdriver, not a cordless screwdriver.

- Tighten the screws evenly.
- Subsequent re-adjustment of the fixing screws is not necessary.

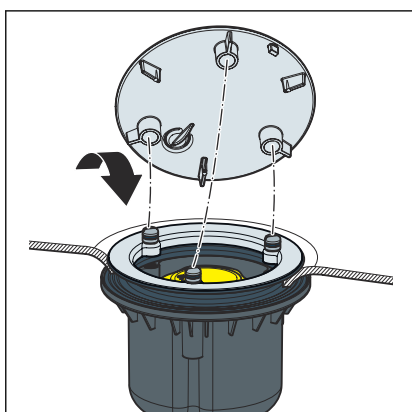


- Insert the bell-shaped piece with the three recesses into the supporting pegs provided for this purpose and tighten by turning to the right.



**INFO!** Alternative mounting of the bell-shaped piece.

- Position the bell-shaped piece centrally.
- Press the bell-shaped piece down until it audibly clicks in.



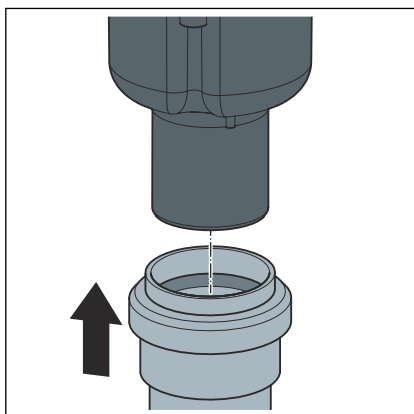
**INFO!** The cover plate is not included in the scope of delivery and must be purchased separately (model 6964.0).

- Press the cover plate onto the three fixing points.

### 3.2.2 Connecting the wastewater system

Requirement:

- The drain unit is installed on the shower tray.
- Connect the wastewater pipe to the drain free of tension.



### 3.2.3 Leakage test

The leakage test is only carried out as a visual inspection.

- Check for visible leaks.

## 3.3 Care



### NOTICE! Risk of damage due to unsuitable cleaning agent!

The following cleaning agents can damage chrome-plated surfaces and therefore may not be used:

- scouring agent
- abrasive sponges
- lime, plaster or cement dissolver
- solvents or other acidic cleaning agents

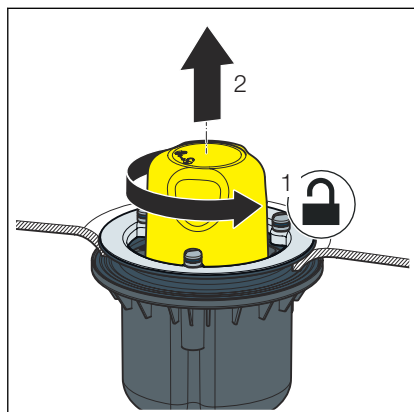
- Normal soap or a mild cleaning agent can be used for regular maintenance and prevention of lime scale.
- Strong stains can be removed using typical household cleaner. Rinse the detergent thoroughly with clear water after the prescribed exposure time.
- Dry the surfaces with a soft cloth. There should be no residue on the components.

### 3.4 Cleaning the drain

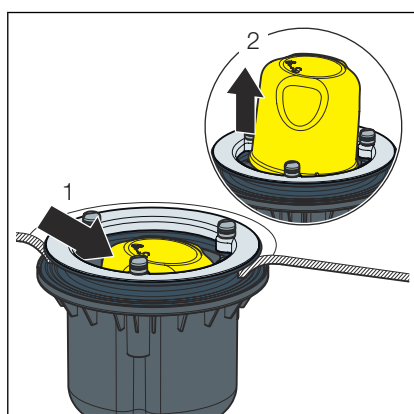


#### NOTICE!

Be careful not to damage the odour trap when cleaning the drain.

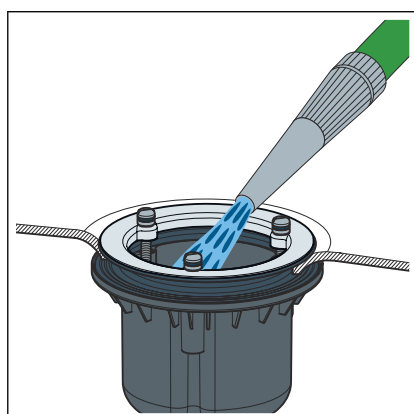


- Remove the cover plate.
- Turn the bell-shaped piece to the left and upwards to remove.

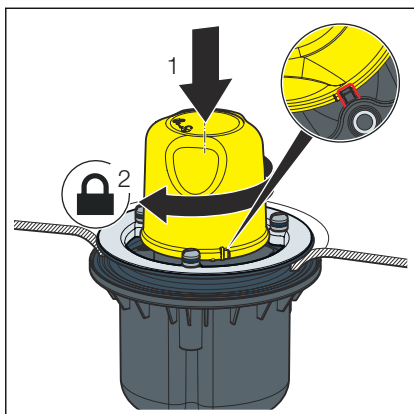


#### INFO! Alternative removal of the bell-shaped piece.

- Push the bell-shaped piece to the side and remove it.

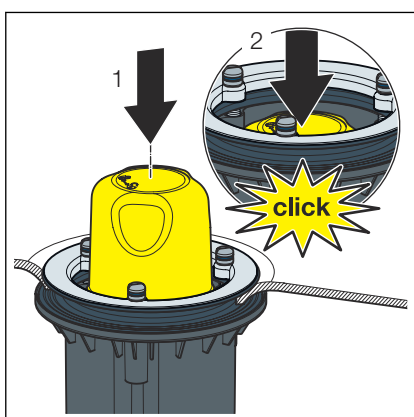


- Clean the drain carefully to avoid damaging the fitting.



- Insert the bell-shaped piece with the three recesses into the supporting pegs provided for this purpose and tighten by turning to the right.

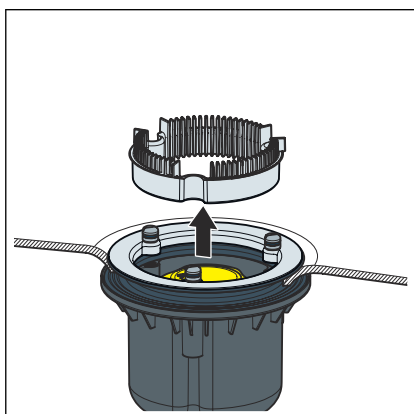
Mount the cover plate.



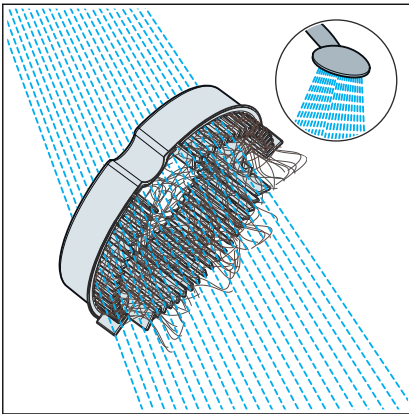
**INFO! Alternative mounting of the bell-shaped piece.**

- Position the bell-shaped piece centrally.
- Press the bell-shaped piece down until it audibly clicks in.

**Cleaning the hair trap screen**



- Remove the hair trap screen.



- Clean the hair trap screen and replace.

### 3.5 Disposal

Separate the product and packaging materials (e. g. paper, metal, plastic or non-ferrous metals) and dispose of in accordance with valid national legal requirements.



**Viega GmbH & Co. KG**  
service-technik@viega.de  
viega.com

INT • 2022-08 • VPN200213

