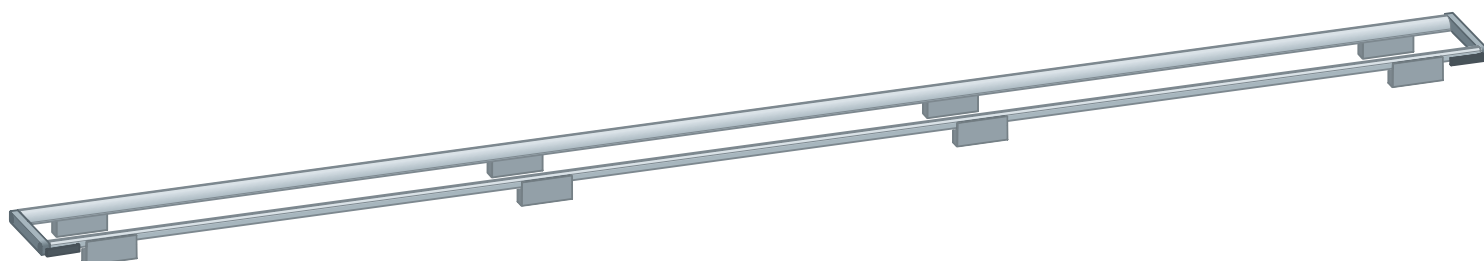


Instructions for Use

Advantix shower channel mounting frame



For mounting with an Advantix shower channel

Model
4982.40

viega

Table of contents

1	About these instructions for use	3
	1.1 Target groups	3
	1.2 Labelling of notes	3
	1.3 About this translated version	4
2	Product information	5
	2.1 Standards and regulations	5
	2.2 Product description	5
	2.2.1 Overview of the components	6
3	Handling	7
	3.1 Assembly information	7
	3.1.1 Important note	7
	3.1.2 Installation dimensions	8
	3.2 Assembly	9
	3.3 Disposal	11

1 About these instructions for use

Trade mark rights exist for this document; for further information, go to viega.com/legal.

1.1 Target groups

The information in this instruction manual is directed at the following groups of people:

- Heating and sanitary professionals and trained personnel
- Tilers

Individuals without the abovementioned training or qualification are not permitted to mount, install and, if required, maintain this product. This restriction does not extend to possible operating instructions.

The installation of Viega products must take place in accordance with the general rules of engineering and the Viega instructions for use.

1.2 Labelling of notes

Warning and advisory texts are set aside from the remainder of the text and are labelled with the relevant pictographs.



DANGER!

This symbol warns of possible life-threatening injury.



WARNING!

This symbol warns of possible serious injury.



CAUTION!

This symbol warns of possible injury.



NOTICE!

This symbol warns of possible damage to property.



This symbol gives additional information and hints.

1.3 About this translated version

This instruction for use contains important information about the choice of product or system, assembly and commissioning as well as intended use and, if required, maintenance measures. The information about the products, their properties and application technology are based on the current standards in Europe (e.g. EN) and/or in Germany (e.g. DIN/DVGW).

Some passages in the text may refer to technical codes in Europe/Germany. These should serve as recommendations in the absence of corresponding national regulations. The relevant national laws, standards, regulations, directives and other technical provisions take priority over the German/European directives specified in this manual: The information herein is not binding for other countries and regions; as said above, they should be understood as a recommendation.

2 Product information

2.1 Standards and regulations

The following standards and regulations apply to Germany / Europe and are provided as a support feature.

Regulations from section: Media

Scope / Notice	Regulations applicable in Germany
Typical domestic wastewater	DIN 1986-3

2.2 Product description

Advantix mounting frames are suitable for use in Advantix shower channels base unit model 4982.10 and 4982.20.

Advantix mounting frames are suitable for all Advantix shower channel grates with a flooring height of 8-20 mm (tile and adhesive).

Only waste water commonly encountered in households may be introduced, see ↗ *'Regulations from section: Media'* on page 5.

Observe the instructions for use of the base unit when mounting.

2.2.1 Overview of the components

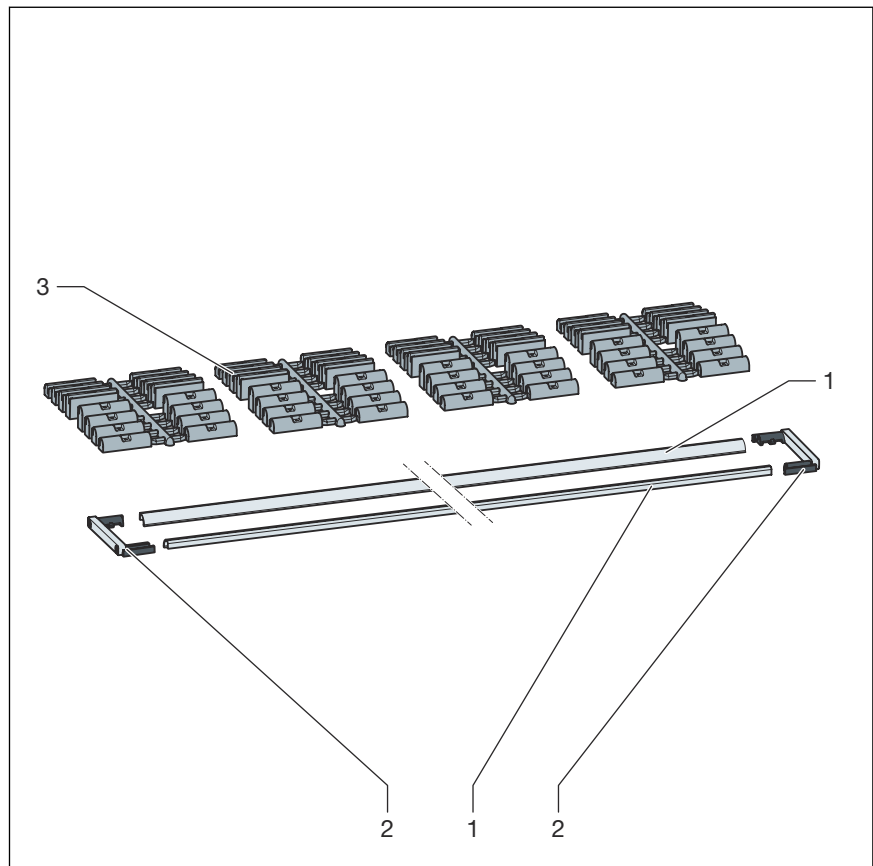


Fig. 1: Scope of delivery

- 1 Frame profile
- 2 Head pieces
- 3 Spacers

3 Handling

3.1 Assembly information

3.1.1 Important note

During assembly:

- Observe installation dimensions.

After assembly:

- The shower channel must be fully lined with mortar.
- Coordinate all relevant installation details, especially regarding the bonded sealing, with those responsible for the subsequent work.

3.1.2 Installation dimensions

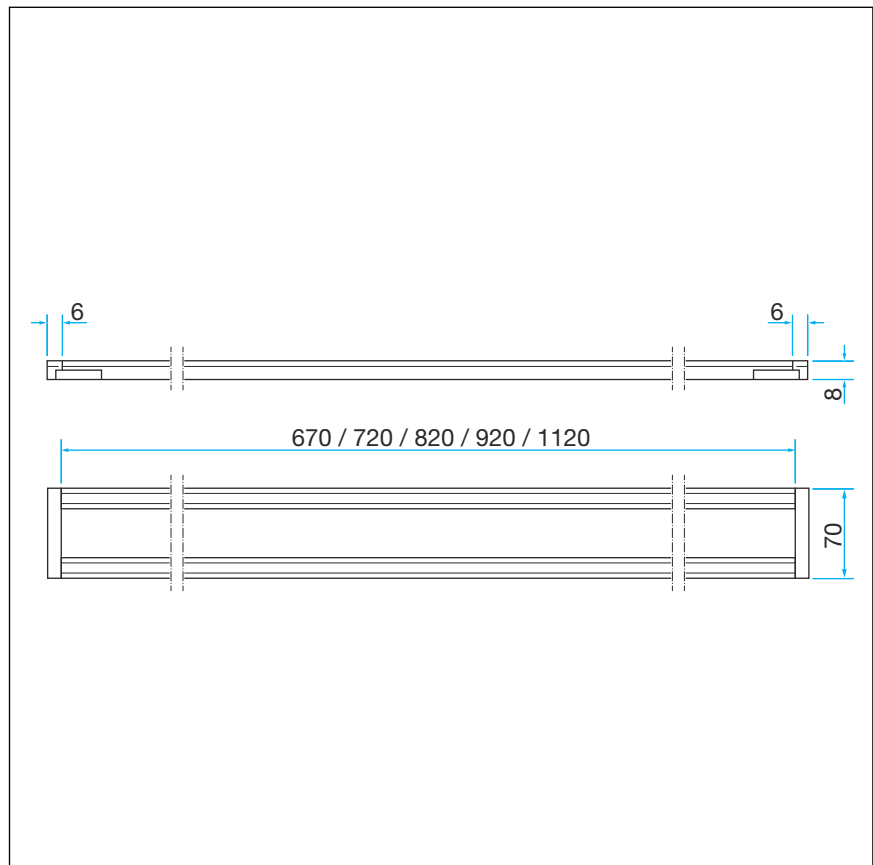


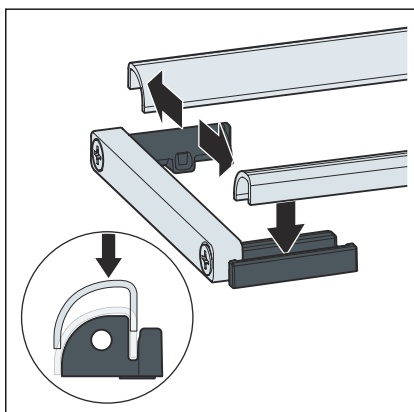
Fig. 2: Dimensions

Model	Art. no.	Length (mm)
4982.40	737 061	750
	737 078	800
	737 085	900
	737 092	1000
	737 108	1200

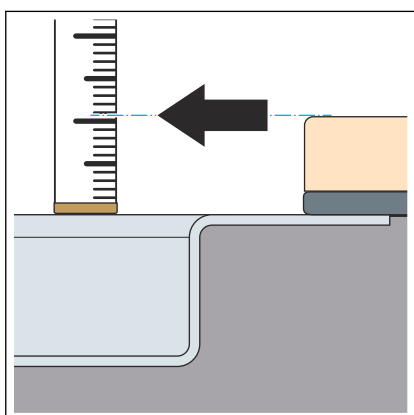
3.2 Assembly

Requirements:

- The shower channel has been mounted pursuant to the instructions for use.
- The complete surface of the shower channel has been lined.
- The shower channel has been sealed, and the bonded sealing is fully cured.
- Place the frame profiles on the head pieces so that the higher side of the frame profile is pointing inwards.
- Press the frame profiles onto the head pieces.



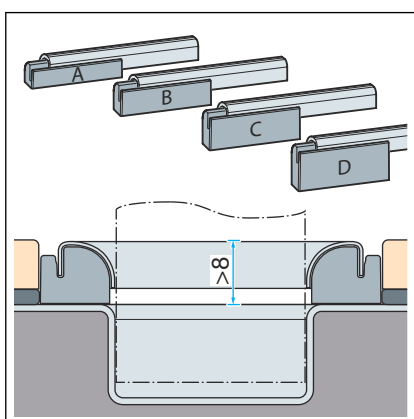
- Determine the height to the upper edge of the tiles.

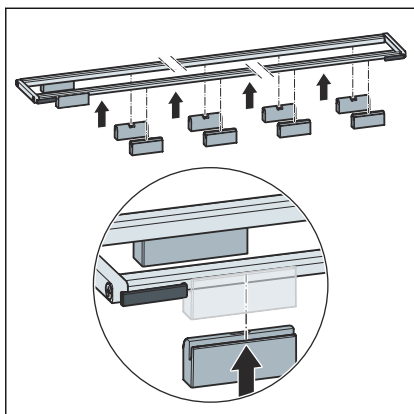


- Select the spacers.

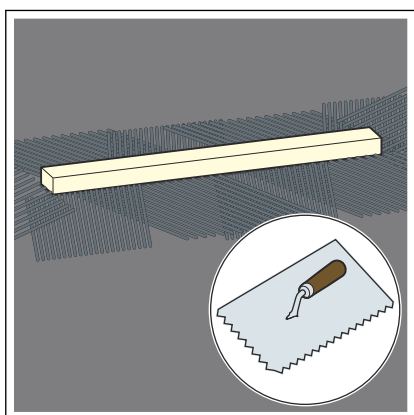
Height up to upper edge of the frame:

- Without 8 mm spacer
- Spacer **A** 11 mm
- Spacer **B** 14 mm
- Spacer **C** 17 mm
- Spacer **D** 20 mm

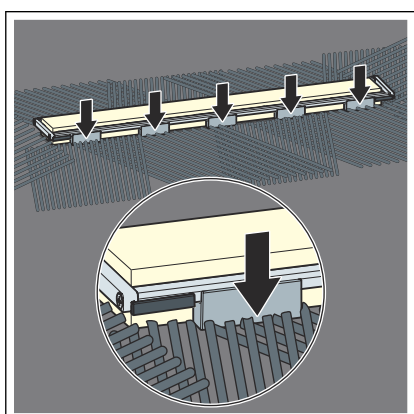




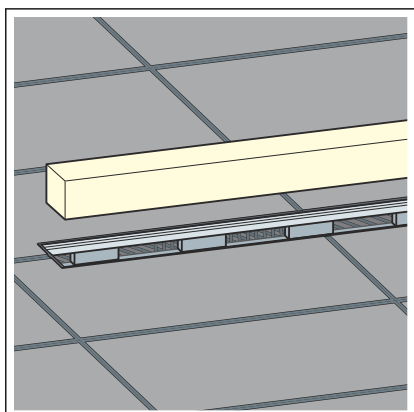
- Distribute and mount the spacers uniformly on the mounting frame.



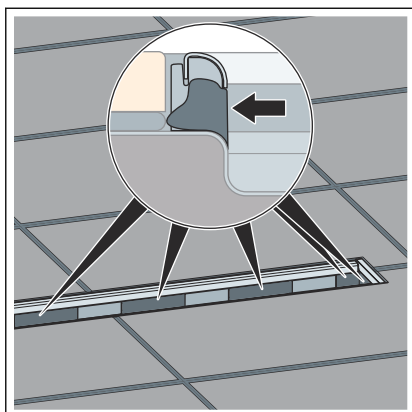
- Apply sufficient tile adhesive in the frame area.



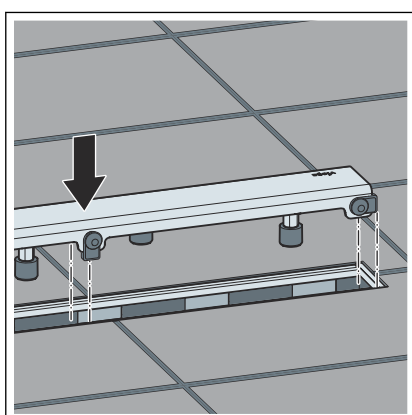
- Press the mounting frame as far as possible into tile adhesive.



- After completing the tiling work and once everything has fully hardened, remove the hard foam block.



- Seal the cavities below the mounting frame with tile adhesive or joint filler.



- To mount the grate, refer to the instructions for use for the grate.

3.3 Disposal

Separate the product and packaging materials (e. g. paper, metal, plastic or non-ferrous metals) and dispose of in accordance with valid national legal requirements.



Viega GmbH & Co. KG
service-technik@viega.de
viega.com

INT • 2022-08 • VPN170014

