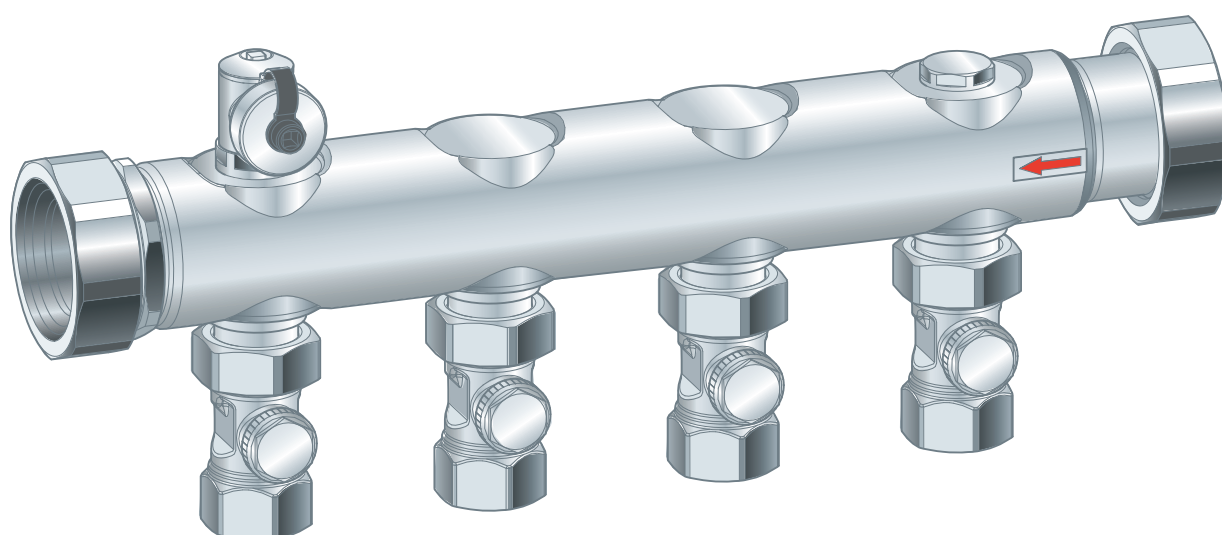
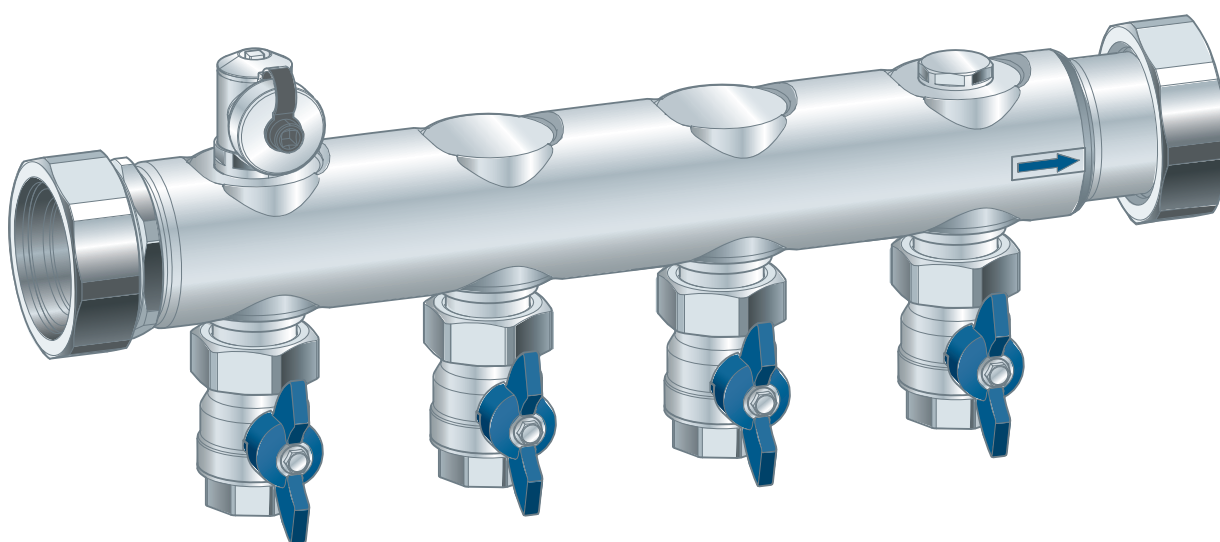


# Instructions for Use

## Industry manifold DN40



For Fonterra radiant heating and cooling

Model  
1007

Year built (from)  
03/2008

**viega**

# Table of contents

<b>1</b>	<b>About these instructions for use</b>	<b>3</b>
	1.1 Target groups	3
	1.2 Labelling of notes	3
	1.3 About this translated version	4
<b>2</b>	<b>Product information</b>	<b>5</b>
	2.1 Standards and regulations	5
	2.2 Intended use	5
	2.3 Product description	6
	2.4 Technical data	7
	2.5 Accessories	9
<b>3</b>	<b>Handling</b>	<b>10</b>
	3.1 Transport and storage	10
	3.2 General mounting instructions	10
	3.3 Assembly	10
	3.4 Settings	11
	3.5 Disposal	12

# 1 About these instructions for use

Trade mark rights exist for this document; for further information, go to [viega.com/legal](http://viega.com/legal).

## 1.1 Target groups

The information in this instruction manual is directed at the following groups of people:

- Heating and plumbing experts and trained personnel

Individuals without the abovementioned training or qualification are not permitted to mount, install and, if required, maintain this product. This restriction does not extend to possible operating instructions.

This manual must be handed over to the operator or user after the assembly and commissioning of the product.

## 1.2 Labelling of notes

Warning and advisory texts are set aside from the remainder of the text and are labelled with the relevant pictographs.



### **DANGER!**

This symbol warns of possible life-threatening injury.



### **WARNING!**

This symbol warns of possible serious injury.



### **CAUTION!**

This symbol warns of possible injury.



### **NOTICE!**

This symbol warns of possible damage to property.



This symbol gives additional information and hints.

### 1.3 About this translated version

This instruction for use contains important information about the choice of product or system, assembly and commissioning as well as intended use and, if required, maintenance measures. The information about the products, their properties and application technology are based on the current standards in Europe (e.g. EN) and/or in Germany (e.g. DIN/DVGW).

Some passages in the text may refer to technical codes in Europe/Germany. These should serve as recommendations in the absence of corresponding national regulations. The relevant national laws, standards, regulations, directives and other technical provisions take priority over the German/European directives specified in this manual: The information herein is not binding for other countries and regions; as said above, they should be understood as a recommendation.

## 2 Product information

### 2.1 Standards and regulations

The following standards and regulations apply to Germany / Europe and are provided as a support feature.

#### Regulations from section: Intended use

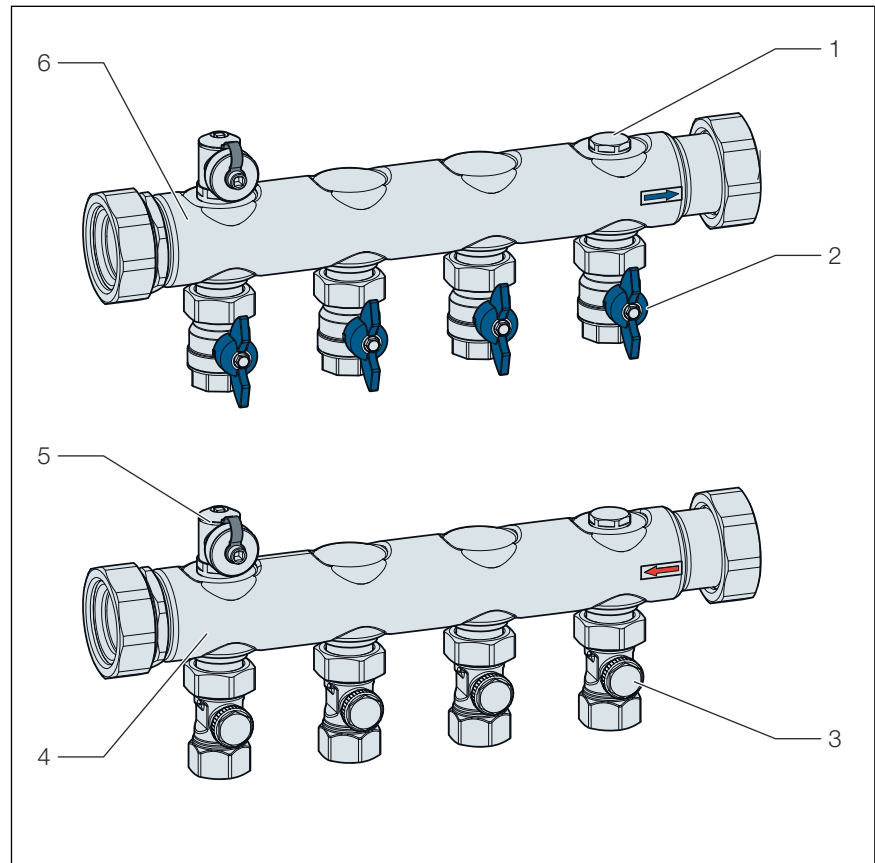
Scope / Notice	Regulations applicable in Germany
Heating circuits / industry manifolds for use in heating systems	DIN EN 12828

### 2.2 Intended use

Industry manifolds are suitable for use in heating systems according to the applicable standards and guidelines for connection of heating circuits under the specified operating conditions, see ↗ *'Regulations from section: Intended use'* on page 5.

For safety reasons, arbitrary conversions or modifications of the industry manifold are not permitted.

## 2.3 Product description



**Fig. 1: Manifold overview**

- 1 Plugs
- 2 Shut-off systems in the return flow beam
- 3 Regulation valve
- 4 Supply flow beam
- 5 Filling and drain cock
- 6 Return flow beam

**Equipment:**

- Flat sealing
- Filling/drain cock for each manifold bar
- Shut-off systems in the return flow beam
- Connection can be made on left or right side
- Regulation valves in the supply flow beam

## 2.4 Technical data

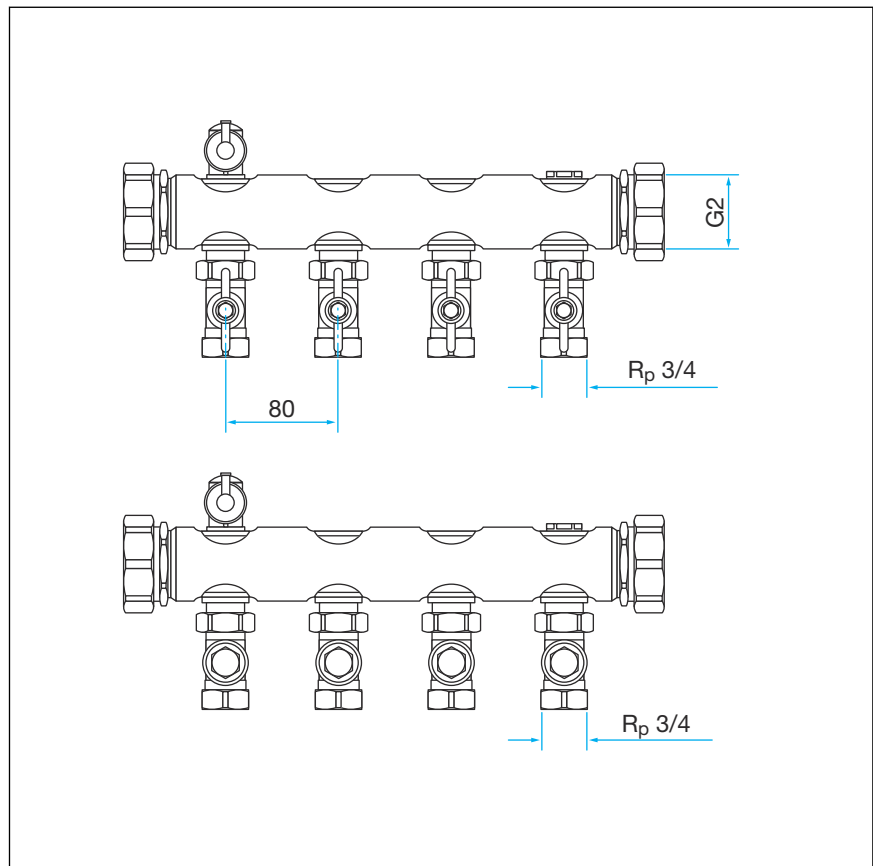


Fig. 2: Dimensional drawing 1

L [mm]	Outlets	Art. no.
395	4	620 806
475	5	620 813
555	6	620 820
635	7	620 837
715	8	620 844
795	9	621 957
875	10	621 964
955	11	621 971
1035	12	621 988
1115	13	621 995
1195	14	622 008
1275	15	622 015
1355	16	622 022

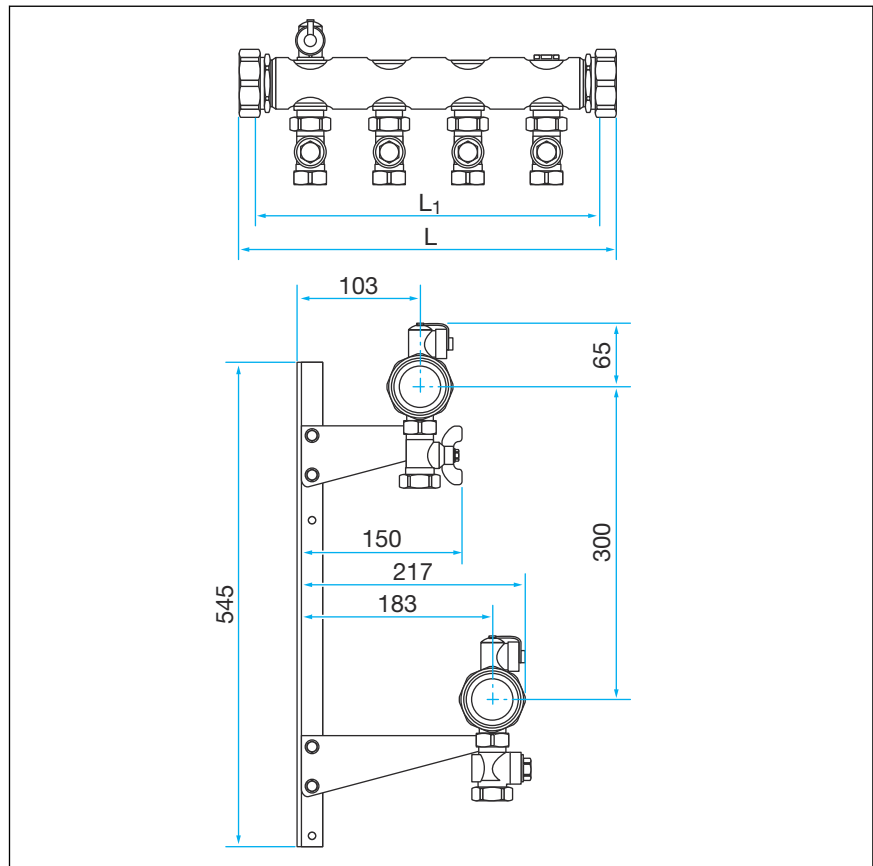


Fig. 3: Dimensional drawing 2

Material	Stainless steel
Maximum operating pressure	600 kPa
Maximum operating temperature	95 °C
Connections	Rp 3/4
Distance threaded connection	80 mm
Union nut	G2



## 2.5 Accessories

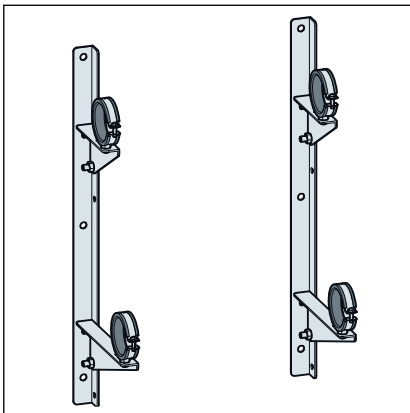


Fig. 4: 1299 mounting console

Name	Short description	Art. no.
<b>Mounting console</b> (model 1299)	<ul style="list-style-type: none"> <li>■ For Fonterra radiant heating and cooling</li> <li>■ Galvanised steel</li> </ul>	613 082

## 3 Handling

### 3.1 Transport and storage

Observe the following with transport and storage:

- Avoid heavy blows and vibrations.
- Store the components in a clean and dry place.
- Do not remove the components from the packaging until immediately before use.

### 3.2 General mounting instructions

- The manifold can be mounted in vertical position, with outlet facing up or down, or in horizontal position at a storey floor.
- Always depressurize and cool the system before doing any installation and maintenance work.
- The mounting consoles are available as accessories.
- The filling and drainage valve is suitable for connecting Viega hose screw fittings, article no. 117 696 and 109 073.

### 3.3 Assembly

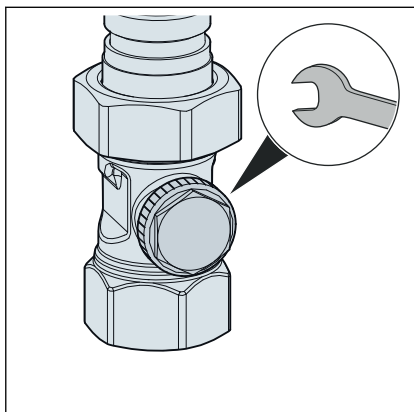
- Assemble the supply flow beam, the return flow beam, and the mounting console (available separately).

**NOTICE! Align the supply and return flow beam centrally to one another.**

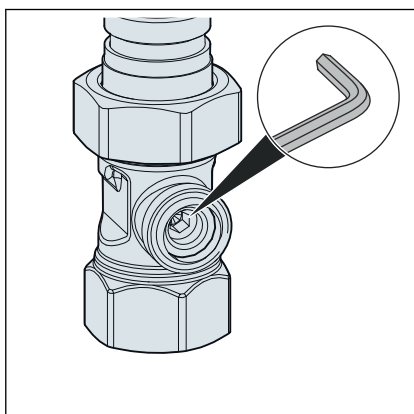
- Fasten the industry manifold to the wall or ceiling.
- Check the valve casing for contamination and damage.
- Connect the pipes.
- Use Viega screw fittings or press connectors to connect the pipes.
- Flush the system and perform a leakage test before commissioning.

## 3.4 Settings

### Shutting valves off



- Unscrew the closing cap using a size 19 fork spanner.



- Turn the size 5 Allen key clockwise to close the return pipe screw fitting.
- Unscrew the closing cap and tighten it with max. 15 Nm using a size 19 fork spanner.
- To open the screw fitting, turn the screw fitting anti-clockwise at most until you can feel a resistance.
- If the screw fitting has been set for hydraulic balancing, determine the respective number of revolutions during the tightening process.

**INFO! This ensures that the original setting can be restored.**

### Regulating valves

- Unscrew the closing cap using a size 19 fork spanner.
- Turn the size 5 Allen key clockwise to close the return pipe screw fitting.
- Adjust to the specified setting by turning the size 5 Allen key anti-clockwise.

**INFO! Determine the adjustment revolutions by way of the diagram.**

- Screw on the closing cap.
- Tighten the closing cap with the size 19 fork spanner with max. 15 Nm.

Pressure loss diagram regulation valve

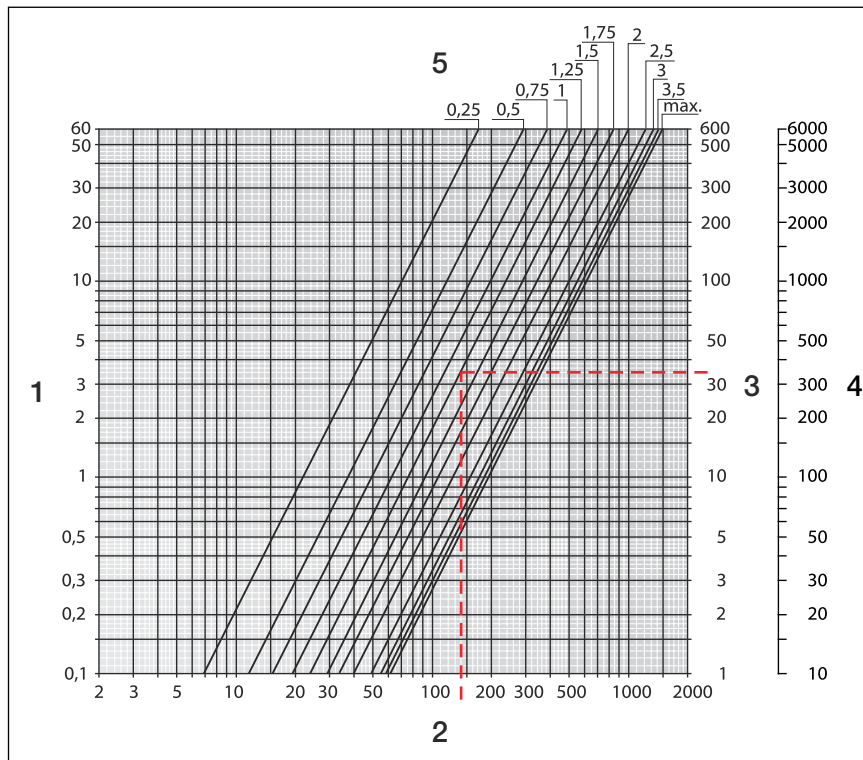


Fig. 5: Pressure loss regulation valve

- 1 Pressure loss  $\Delta p$  [kPa]
- 2 Mass flow  $m$
- 3 Pressure loss  $\Delta p$  [hPa]
- 4 Pressure loss  $\Delta p$  [mm WS]
- 5 Number of revolutions [U]

Kv value [m³ / h]

Number of revolutions [U]								Kvs value [m³ / h]	$\zeta$ value (open)
0.25	0.5	1	1.5	2	2.5	3	3.5		
0.22	0.37	0.62	0.92	1.27	1.55	1.72	1.85	1.93	93.2

3.5 Disposal

Separate the product and packaging materials (e. g. paper, metal, plastic or non-ferrous metals) and dispose of in accordance with valid national legal requirements.



**Viega GmbH & Co. KG**  
service-technik@viega.de  
viega.com

INT • 2023-01 • VPN140456

