

Instructions for Use

Kellermeister cellar drain



Model
4956

Year built (from)
01/1998

Table of contents

1	About these instructions for use	3
	1.1 Target groups	3
	1.2 Labelling of notes	3
	1.3 About this translated version	4
2	Product information	5
	2.1 Standards and regulations	5
	2.2 Certification	6
	2.3 Intended use	6
	2.3.1 Areas of use	6
	2.3.2 Media	6
	2.3.3 Drainage capacity	7
	2.4 Product description	8
	2.4.1 Overview	8
	2.4.2 Technical data	8
	2.5 Information for use	9
	2.5.1 Installation variations	9
	2.6 Accessories	9
3	Handling	10
	3.1 Assembly information	10
	3.1.1 Important note	10
	3.1.2 Installation dimensions	10
	3.1.3 Tools and materials	11
	3.2 Assembly	11
	3.2.1 Connecting the drain	11
	3.3 Care	12
	3.3.1 Care tips	12
	3.3.2 Cleaning the drain	12
	3.4 Disposal	13

1 About these instructions for use

Trade mark rights exist for this document; for further information, go to viega.com/legal.

1.1 Target groups

The information in this instruction manual is directed at the following groups of people:

- Heating and sanitary professionals and trained personnel
- Tilers
- Consumers

Individuals without the abovementioned training or qualification are not permitted to mount, install and, if required, maintain this product. This restriction does not extend to possible operating instructions.

The installation of Viega products must take place in accordance with the general rules of engineering and the Viega instructions for use.

1.2 Labelling of notes

Warning and advisory texts are set aside from the remainder of the text and are labelled with the relevant pictographs.



DANGER!

This symbol warns of possible life-threatening injury.



WARNING!

This symbol warns of possible serious injury.



CAUTION!

This symbol warns of possible injury.



NOTICE!

This symbol warns of possible damage to property.



This symbol gives additional information and hints.

1.3 About this translated version

This instruction for use contains important information about the choice of product or system, assembly and commissioning as well as intended use and, if required, maintenance measures. The information about the products, their properties and application technology are based on the current standards in Europe (e.g. EN) and/or in Germany (e.g. DIN/DVGW).

Some passages in the text may refer to technical codes in Europe/Germany. These should serve as recommendations in the absence of corresponding national regulations. The relevant national laws, standards, regulations, directives and other technical provisions take priority over the German/European directives specified in this manual: The information herein is not binding for other countries and regions; as said above, they should be understood as a recommendation.

2 Product information

2.1 Standards and regulations



The following standards and regulations apply to Germany / Europe and are provided as a support feature.

Regulations from section: Media

Scope / Notice	Regulations applicable in Germany
Typical domestic wastewater	DIN 1986-3

2.2 Certification

Data acc. to DIN EN 1253, Table 7

Manufacturer	Viega Holding GmbH & Co.KG
Manufacturer identification mark	
Certificate of conformity	
Address	Viega Technology GmbH & Co.KG Viega Platz 1 57439 Attendorn Germany
Relevant standard	DIN EN 1253-1
Load class	K3
DN	100
Product class with respect to temperature behaviour	A
Drainage capacity at accumulation height 10mm	0.9 l/s
Drainage capacity at accumulation height 20mm	1.6 l/s

2.3 Intended use

2.3.1 Areas of use

The drain is intended for use in floor constructions without sealing – e.g. cellars where wastewater occurs in small quantities at irregular intervals.

Technical information, see ↗ *Chapter 2.4.2 'Technical data' on page 8.*

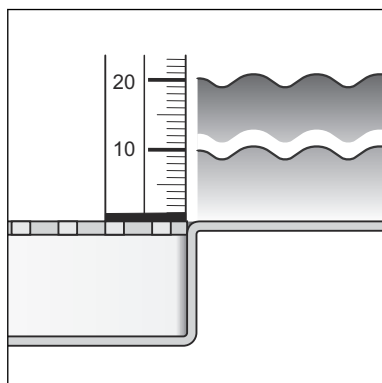
2.3.2 Media

The drain is intended for draining of household-type wastewater in constant operation, see ↗ *'Regulations from section: Media' on page 5.*

- The short-term temperature of the wastewater may reach up to 95 °C. The temperature must be considerably lower in constant operation.
- The pH value must be higher than 4 but lower than 10.

It is not permitted to introduce wastewater which would damage the product material.

2.3.3 Drainage capacity



Nominal width [DN] (drain socket)	100
Drainage capacity at an accumulation height of 20 mm above the grate	1.6 l/s

The values are dependent on the total height of the drain unit.

2.4 Product description

2.4.1 Overview

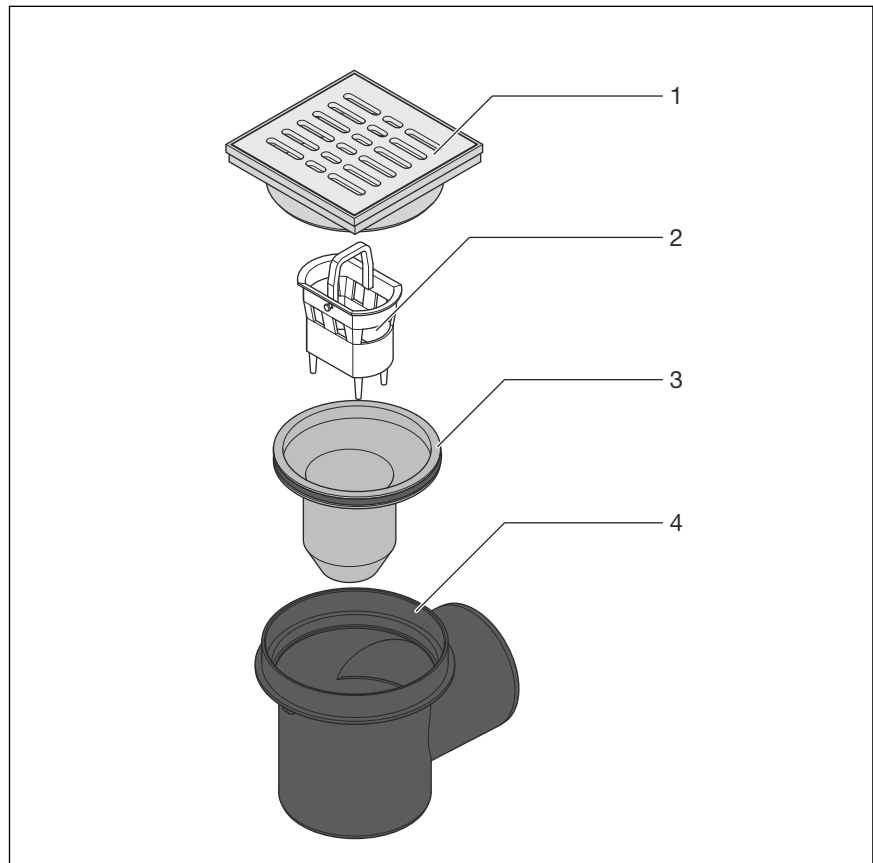


Fig. 1: Components

- 1 grate, model 4956-551
- 2 Advantix sieve insert, model 4956.20
- 3 odour trap (Kellermeister insert), model 4956.21
- 4 Base unit

2.4.2 Technical data

Nominal width [DN] (drain socket)	100
Nominal width [DN] (inlet)	50 or 70 (only in connection with connecting piece model 4997)
Drainage capacity	↪ Chapter 2.3.3 'Drainage capacity' on page 7
Water seal level	50 mm
Dimensions and installation height	↪ Chapter 3.1.2 'Installation dimensions' on page 10
Load class	K = 300 kg

2.5 Information for use

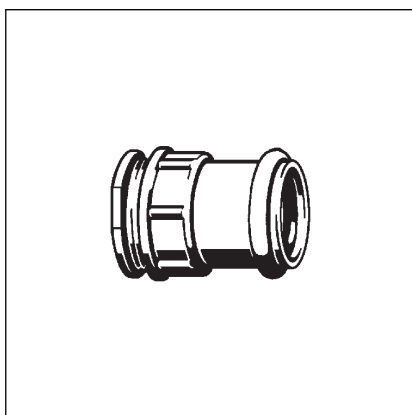
2.5.1 Installation variations

The drain can be mounted in the following way:

- in a drill hole
- in a floor recess

2.6 Accessories

Optional accessories



Optionally, a connecting piece can be fitted. The connecting piece serves as a possible additional inlet (DN 50 or DN70).

3 Handling

3.1 Assembly information

3.1.1 Important note

Before assembly:

- Check if the drainage capacity of the drain is sufficient for the arising water volume ↪ *Chapter 2.3.3 'Drainage capacity' on page 7.*
- Check if the installation height of the drain corresponds with the planned floor construction.
- Ensure that the required connection line is installed with the necessary incline to the planned installation location.

During assembly:

- Observe installation dimensions.

3.1.2 Installation dimensions

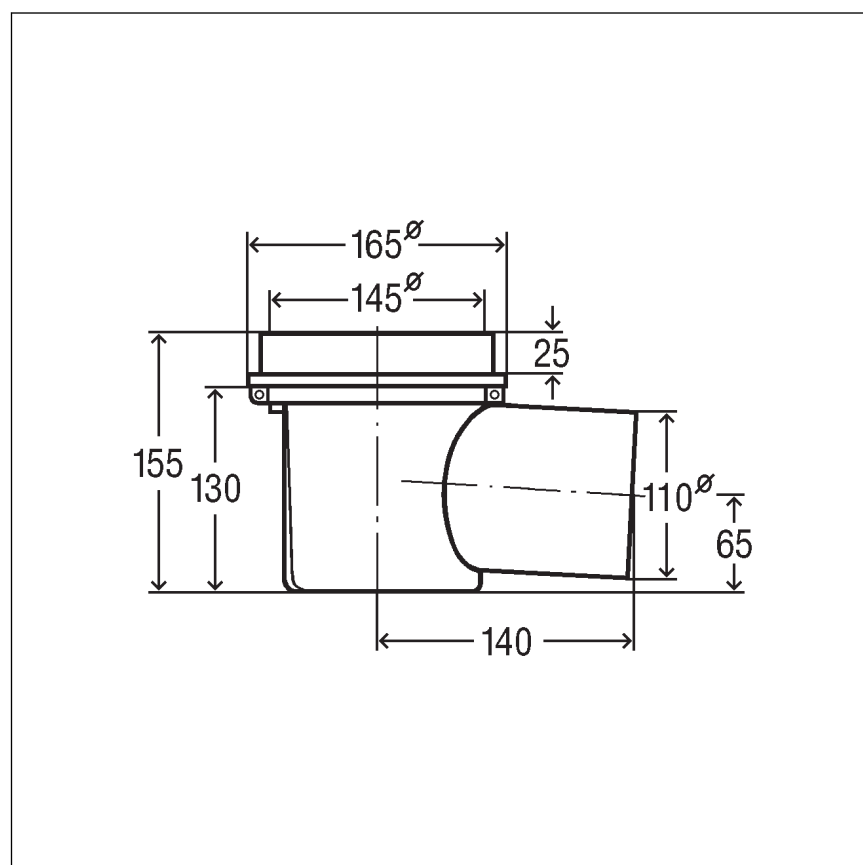


Fig. 2: Dimensional drawing

3.1.3 Tools and materials

Required material

- Material for securing the drain
- For the mounting of the connecting piece (optional):
compass saw

3.2 Assembly

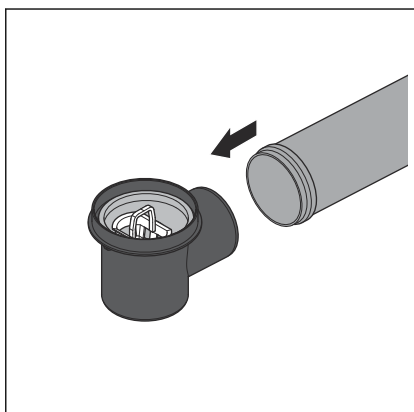
3.2.1 Connecting the drain

Connecting to the wastewater system

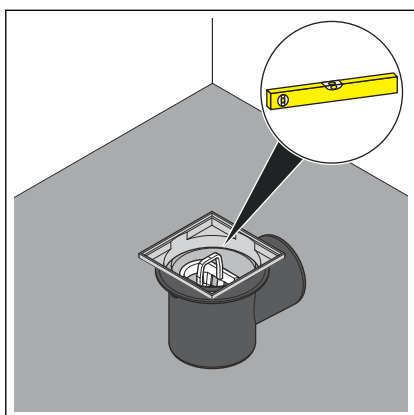
The connection to the wastewater system must be completed before the drain can be installed in the floor construction. Proceed as follows:

Requirements:

- A pipe to the planned drainage position is already in place for the connection to the wastewater system.
- The drainpipe has an internal sealing lip.
- Push the drain socket into the drainpipe completely.

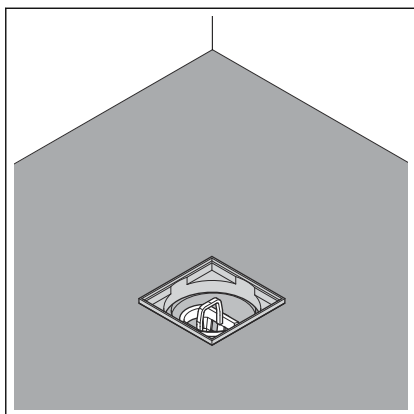


Mounting the drain



- Position the drain at the desired height at the place of use. If necessary, raise or lower in the existing floor using suitable material.
- Align drain horizontally using a spirit level.
- Secure the drain in such a way that it cannot shift when the subsequent works are applied.

Most importantly, it must be ensured that the drain does not float when the concrete or screed is poured in.



► Work the drain into the screed or floor covering.



NOTICE!
Product damage due to improper installation

If hollow spaces occur during the lining of the drain, leaks may occur when pressure is applied.

Inform the subsequent workers that the drain must be fully lined and that there must be no hollow spaces.

3.3 Care

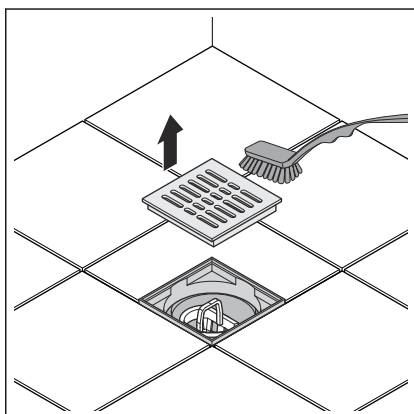
3.3.1 Care tips

Normal soap or a mild cleaning agent can be used for regular maintenance and prevention of lime scale on the grate and frame. Use no scouring agent or abrasive objects.

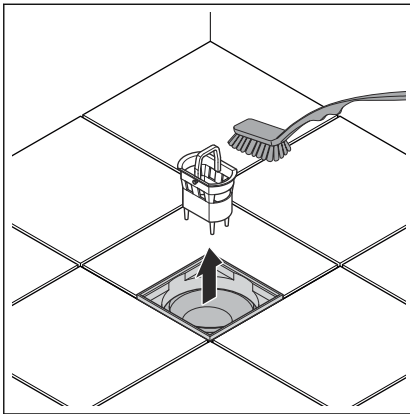
Strong stains, even around the drain unit and the siphon, can be removed using typical household cleaner. Rinse the detergent very thoroughly with clear water after the prescribed dwell time. There should be no residue on the components.

3.3.2 Cleaning the drain

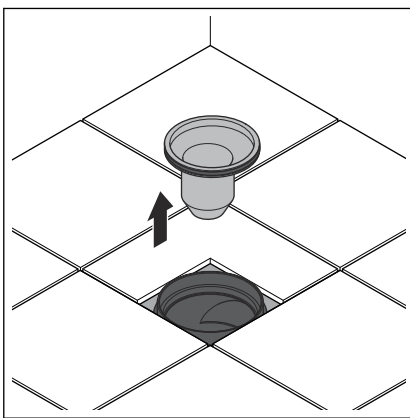
We recommend using a mild cleaning agent and a washing-up brush for cleaning.



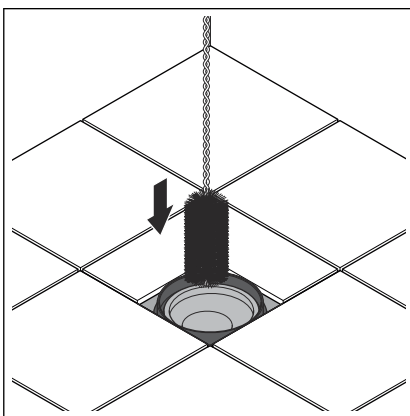
► Remove and clean grate.



- Remove and clean sieve insert.



- Remove odour trap (Kellermeister insert).



- Clean drain.
- Replace odour trap.
- Re-insert sieve insert.
- Re-insert grate.

3.4 Disposal

Separate the product and packaging materials (e. g. paper, metal, plastic or non-ferrous metals) and dispose of in accordance with valid national legal requirements.



Viega GmbH & Co. KG
service-technik@viega.de
viega.com

INT • 2022-08 • VPN190523

