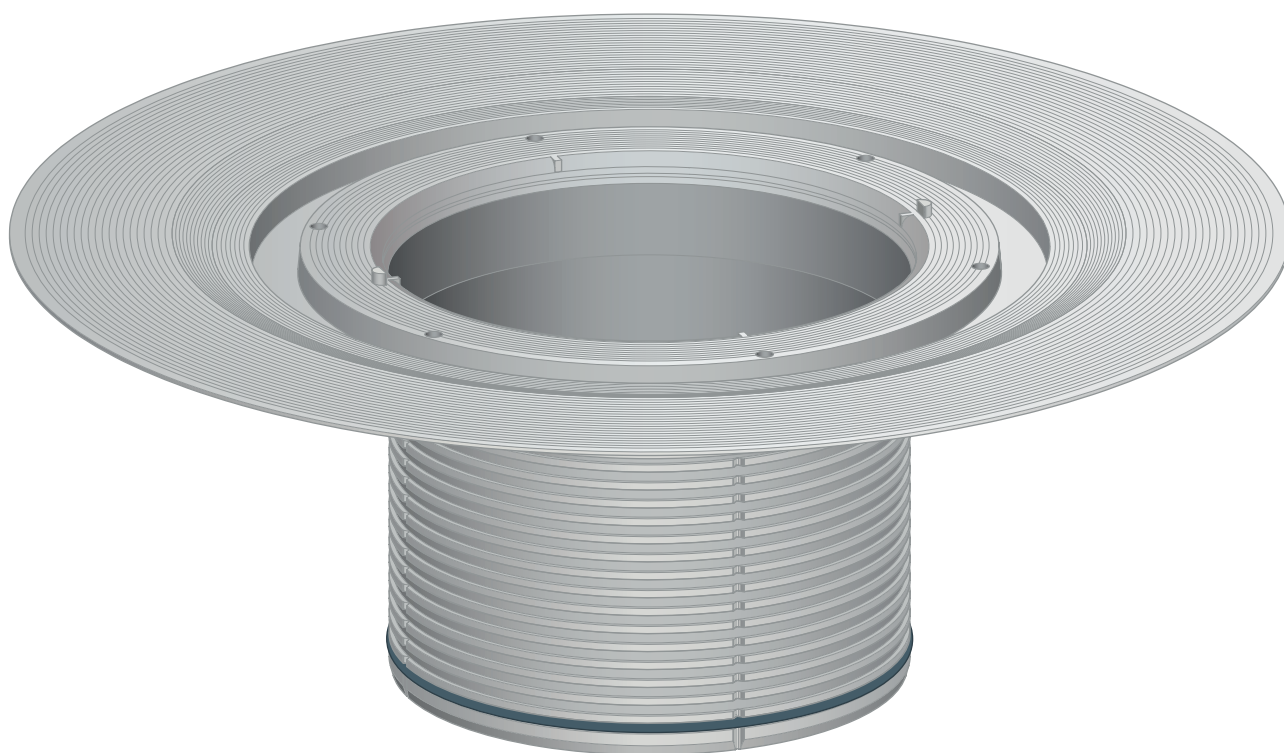


Instructions for Use

Advantix stacking element



Model
4996.1

Year built (from)
01/1999

viega

Table of contents

1	About these instructions for use	3
	1.1 Target groups	3
	1.2 Labelling of notes	3
	1.3 About this translated version	4
2	Product information	5
	2.1 Standards and regulations	5
	2.2 Intended use	5
	2.2.1 Areas of application	5
	2.2.2 Media	5
	2.3 Product description	6
	2.3.1 Overview	6
	2.4 Information for use	7
	2.4.1 Sealing	7
	2.5 Required accessories	8
3	Handling	9
	3.1 Assembly information	9
	3.1.1 Important note	9
	3.1.2 Installation dimensions	10
	3.1.3 Tools and materials	10
	3.2 Assembly	10
	3.2.1 Mounting stacking element	10
	3.2.2 Sealing the drain	12
	3.2.3 Mounting the top	13
	3.3 Disposal	14

1 About these instructions for use

Trade mark rights exist for this document; for further information, go to viega.com/legal.

1.1 Target groups

The information in this instruction manual is directed at the following groups of people:

- Heating and plumbing experts and trained personnel
- Tilers

Individuals without the abovementioned training or qualification are not permitted to mount, install and, if required, maintain this product. This restriction does not extend to possible operating instructions.

The installation of Viega products must take place in accordance with the general rules of engineering and the Viega instructions for use.

1.2 Labelling of notes

Warning and advisory texts are set aside from the remainder of the text and are labelled with the relevant pictographs.



DANGER!

This symbol warns of possible life-threatening injury.



WARNING!

This symbol warns of possible serious injury.



CAUTION!

This symbol warns of possible injury.



NOTICE!

This symbol warns of possible damage to property.



This symbol gives additional information and hints.

1.3 About this translated version

This instruction for use contains important information about the choice of product or system, assembly and commissioning as well as intended use and, if required, maintenance measures. The information about the products, their properties and application technology are based on the current standards in Europe (e.g. EN) and/or in Germany (e.g. DIN/DVGW).

Some passages in the text may refer to technical codes in Europe/Germany. These should serve as recommendations in the absence of corresponding national regulations. The relevant national laws, standards, regulations, directives and other technical provisions take priority over the German/European directives specified in this manual: The information herein is not binding for other countries and regions; as said above, they should be understood as a recommendation.

2 Product information

2.1 Standards and regulations

The following standards and regulations apply to Germany / Europe and are provided as a support feature.

Regulations from section: Media

Scope / Notice	Regulations applicable in Germany
Typical domestic wastewater	DIN 1986-3

2.2 Intended use

2.2.1 Areas of application

The stacking element is intended for height increase and conventional sealing of an Advantix drain above cement layers.

2.2.2 Media

The drain and stacking element are intended for draining of household-type wastewater in constant operation, see ↗ *'Regulations from section: Media' on page 5.*

- The short-term temperature of the wastewater may reach up to 95° C. The temperature must be considerably lower in constant operation.
- The pH value must be higher than four but lower than ten.

It is not permitted to introduce wastewater, which could damage the product material.

2.3 Product description

2.3.1 Overview

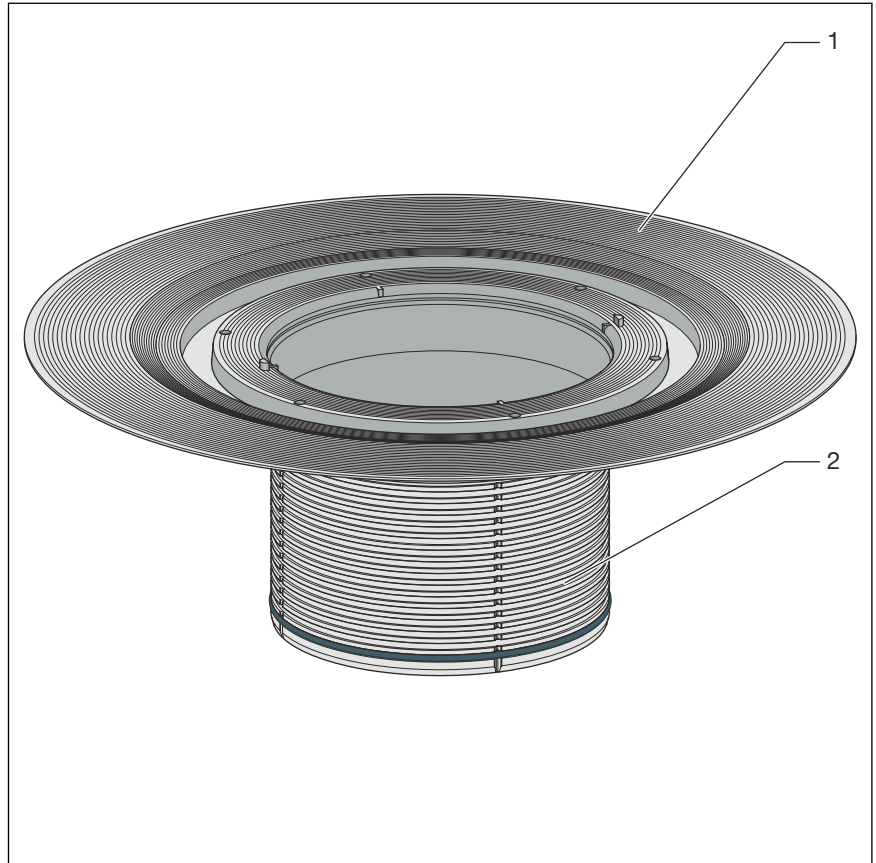


Fig. 1: Components stacking element model 4996.1

- 1 stacking element with flange for conventional sealing
- 2 stacking element, which can be shortened

2.4 Information for use

2.4.1 Sealing

Conventional sealing

The flange of the stacking element is intended for conventional sealing. To be able to seal conventionally, you require a suitable sealing collar and a clamping ring with which the cuff is secured ↪ *Chapter 2.5 'Required accessories' on page 8.*

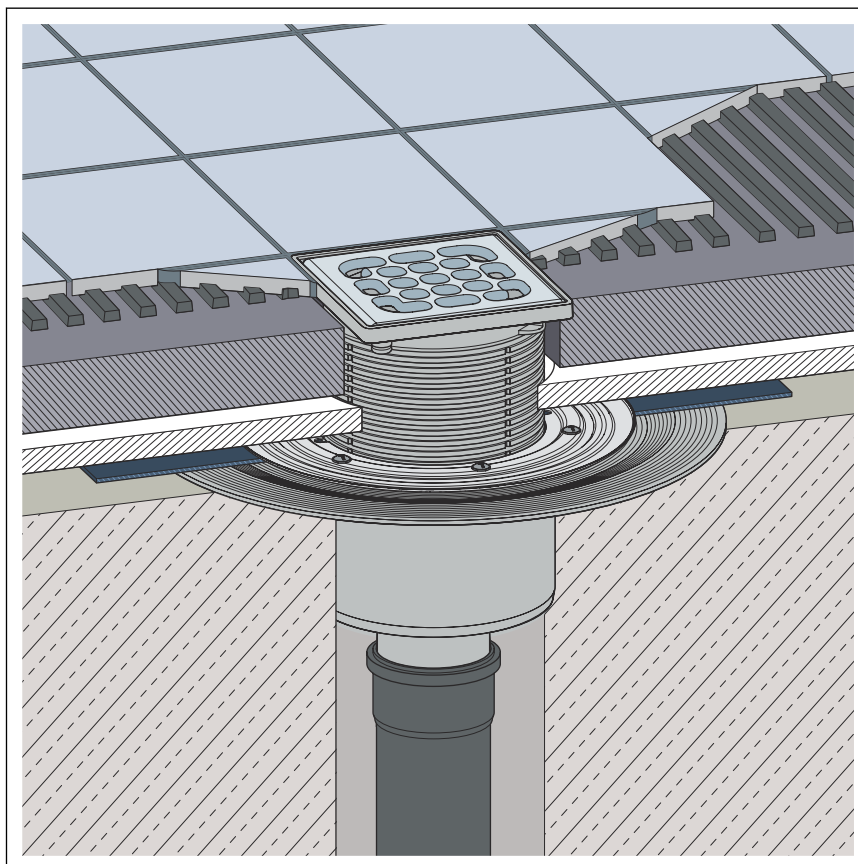


Fig. 2: Construction diagram of a conventional sealing



NOTICE!
Not suitable for floor-level showers

Conventional sealing is not recommended with floor-level showers, because dampness can enter the screed and damp proof layer.

Use bonded sealing for floor-level showers.

Principle

Traditionally, sealing is made using bitumen or EPDM sealing collars. The sealing collars are laid directly onto the raw concrete or heat insulation. This process has proved itself to be particularly effective for sealing balconies, patios, floor installation panels and cellar floors. In addition, sealing collars are often used as an additional second sealing layer below the bonded seal.

The following components are required for the installation of a drain with conventional sealing:

The following components are required for the installation of a stacking element with conventional sealing:

- Drain
- Clamping ring with sealing collar for EPDM and bitumen sealing lanes

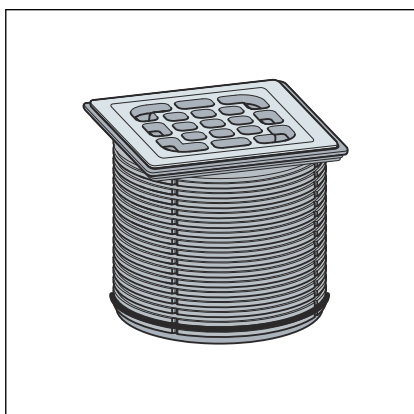
Information for processing

The sealing collar is coated with EPDM on the one side and with bitumen on the other side

Place the sealing collar on the stacking element and fasten it with the flange. It depends on the sealing collar used which material layer of the sealing collar is placed facing up. You can find more information in the mounting instructions of the sealing flange.

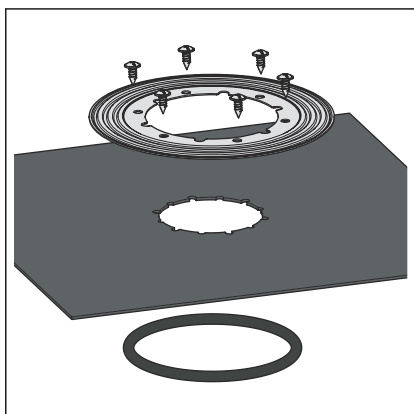
2.5 Required accessories

Top



Advantix tops are available in a number of sizes and variations. You can also only buy an Advantix top frame and then purchase a suitable designer grate separately (see catalogue).

Accessories for conventional sealing



If a conventional sealing is to be made, a suitable sealing collar and a clamping ring will be required.

You will find a corresponding set in the catalogue (model 4998.3).

3 Handling

3.1 Assembly information

3.1.1 Important note

Before assembly:

- Check if the installation height of the drain and stacking element corresponds with the planned floor construction.
- Ensure that the drain has been fully lined with mortar.
- If necessary, supply the required accessories ↪ *Chapter 2.5 'Required accessories' on page 8.*

During assembly:

- Observe installation dimensions.
- Decide whether or not a backflow seal is required in the insertion part of the top.

After assembly:

- The flange must be fully lined with mortar.

3.1.2 Installation dimensions

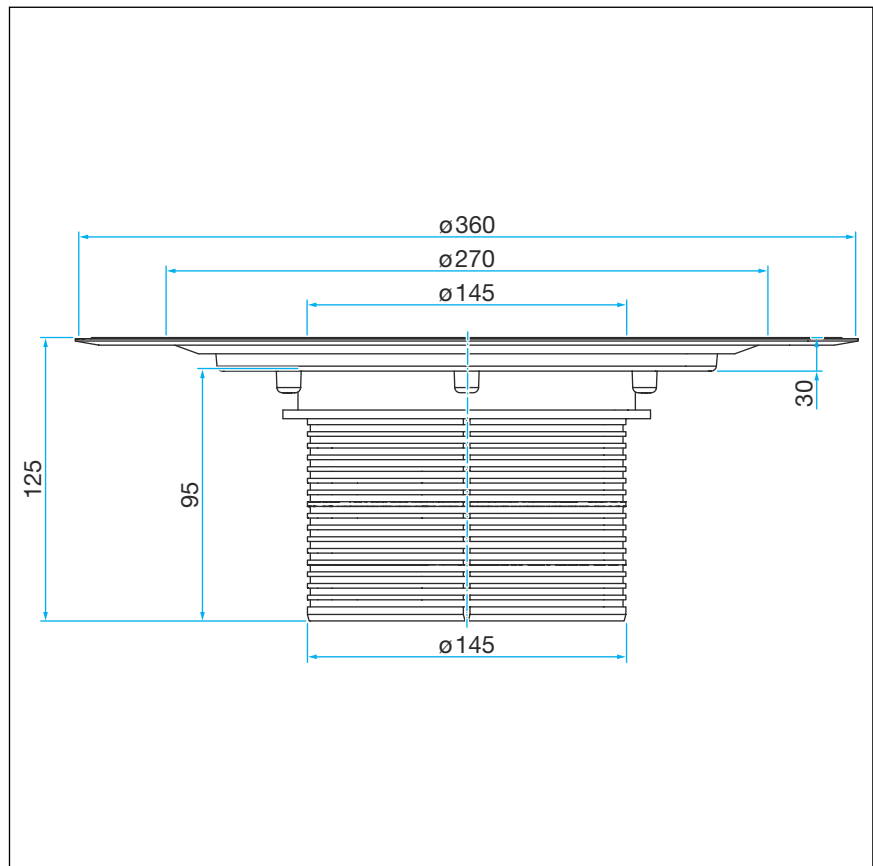


Fig. 3: Dimensional drawing for model 4996.1

3.1.3 Tools and materials

Required material

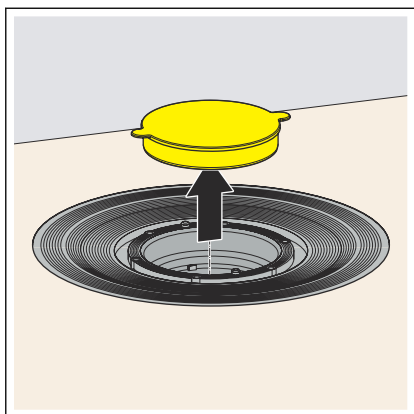
- if necessary, sealing collar, clamping ring, fitting screws
- Top with grate

3.2 Assembly

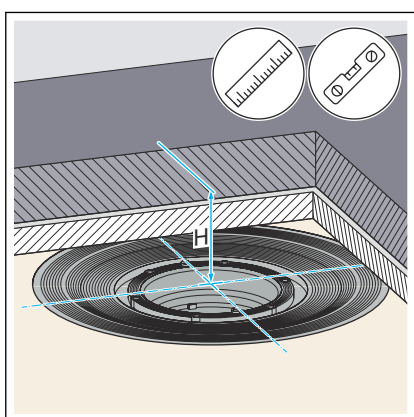
3.2.1 Mounting stacking element

Requirements

- The drain has been mounted and lined according to the instructions for use.



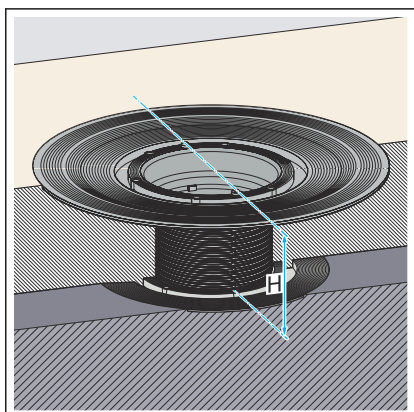
- Remove yellow protective plug from the drain.



- Calculate the height of the floor construction from the edge in the inside of the drain up to the upper edge of the floor.



- Starting with the upper edge of the flange, transfer the measured height onto the stacking element.
- Cut the stacking element to the marked height.
- Install backflow seal.



- Use a spirit level to horizontally align the stacking element and work the stacking element into the screed or floor covering.



NOTICE!
Product damage due to improper installation

If cavities occur when the stacking element is being lined, leaks may occur when pressure is applied.

Inform the subsequent workers that the flange of the stacking element must be lined all over and that there must be no cavities.

3.2.2 Sealing the drain



NOTICE!
Product damage due to improper installation

If hollow spaces occur during the lining of the flange, leaks may occur when pressure is applied.

Check the completion of the subsequent work.



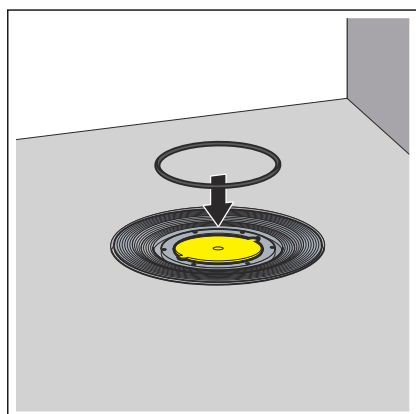
The screed and floor tiles must be laid at an incline of 1–2 % in the direction of the drain.

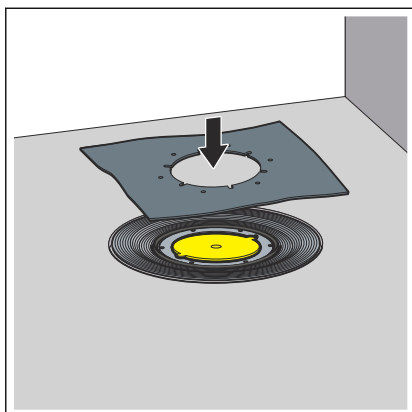
Conventional sealing

Requirements:

- A suitable sealing collar and a clamping ring are available.
- The flange is free of heavy soil.
- The complete surface of the flange is lined with material and undamaged.
- If required, clean the flange of coarse soil (e.g. from screed).
- Insert the seal ring.

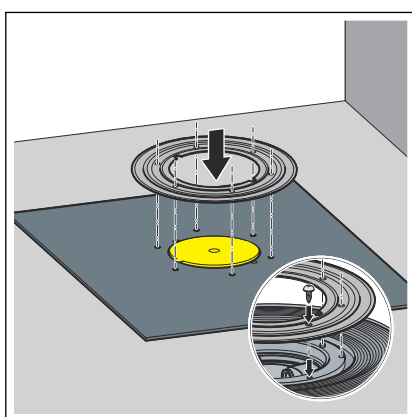
The seal ring must lie in the groove between the flange and the screw holes.



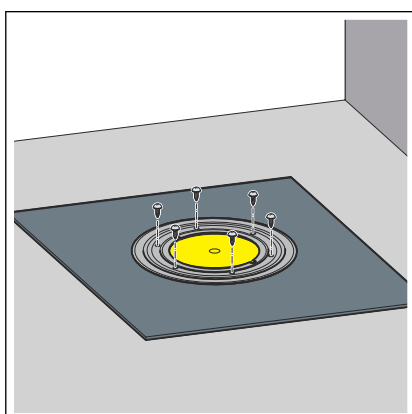


INFO! The Viega sealing collar has two differently coated sides. One side is coated with bitumen and the other side with EPDM. If the additional sealing takes place with bitumen sealing lanes, the sealing collar must be used with the bitumen side facing upwards. If EPDM sealing lanes are used, the EPDM side must face upwards.

- ▶ Position the sealing collar on the stacking element.
The screw holes must be visible through the recesses.



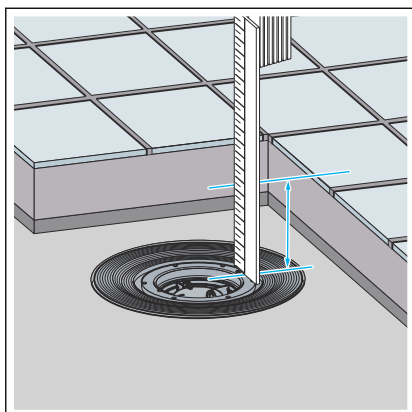
- ▶ Position the sealing flange on the sealing collar in such a way that the screw holes are visible.



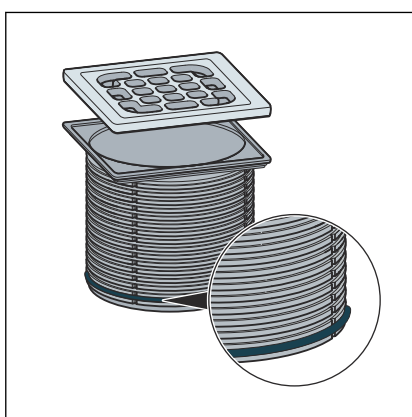
- ▶ Screw the sealing flange tightly to the stacking element.
The fixing screws of the clamping ring may only be screwed into the screw holes of the stacking element.
- The drain is sealed and the remaining sealing can be laid.

3.2.3 Mounting the top

The top with the grate may also have to be mounted to finish off the mounting of the drain. Proceed as follows:



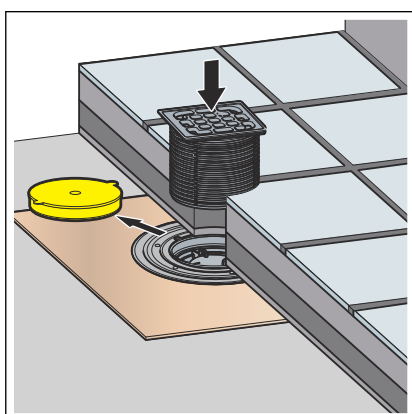
- Calculate the height of the floor construction from the edge in the inside of the stacking element up to the upper edge of the tiles.
- Starting with the upper edge, transfer the measured height onto the top.
- Cut the top to the marked height.



- If necessary, insert the backflow seal in the lowest notch of the top.

INFO! The backflow seal must be employed when no dampness is supposed to flow into the drain from outside of the top but water may seep in from below. Normally, no backflow seal is mounted so that water that occurs around the frame (e.g. due to a leaky silicone joint) can flow away. A backflow seal is mounted in the following cases:

- In the case of the risk of a build-up of water that can soak through the screed.



- Remove the yellow protective plug.
- Place the top into the drain and align according to the tiles.
- Work the top into the screed or the floor covering.

3.3 Disposal

Separate the product and packaging materials (e. g. paper, metal, plastic or non-ferrous metals) and dispose of in accordance with valid national legal requirements.



Viega GmbH & Co. KG
service-technik@viega.de
viega.com

INT • 2023-08 • VPN230228

