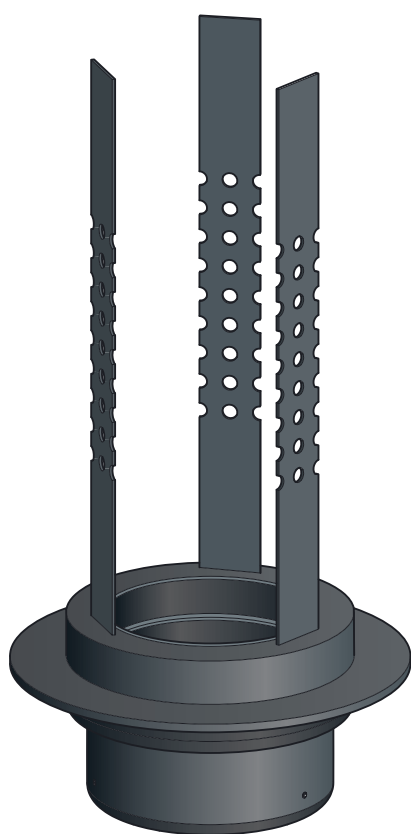


Instructions for Use

Advantix pipe lead-in R 120



for polypropylene pipe and connected water seal odour trap

Model
4923.5

Year built (from)
01/2005

viega

Table of contents

1	About these instructions for use	3
	1.1 Target groups	3
	1.2 Labelling of notes	3
	1.3 About this translated version	4
2	Product information	5
	2.1 Standards and regulations	5
	2.2 Intended use	5
	2.2.1 Areas of use	5
	2.3 Product description	6
	2.3.1 Overview	6
	2.3.2 Technical data	6
	2.3.3 Operating mode	6
	2.4 Information for use	7
	2.4.1 Installation variations	7
3	Handling	8
	3.1 Assembly information	8
	3.1.1 Important note	8
	3.1.2 Installation dimensions	8
	3.1.3 Tools and materials	8
	3.2 Assembly	9
	3.2.1 Mounting the drain	9
	3.2.2 Mounting pipe lead-in	11
	3.3 Disposal	13

1 About these instructions for use

Trade mark rights exist for this document; for further information, go to viega.com/legal.

1.1 Target groups

The information in this instruction manual is directed at the following groups of people:

- Heating and plumbing experts and trained personnel

Individuals without the abovementioned training or qualification are not permitted to mount, install and, if required, maintain this product. This restriction does not extend to possible operating instructions.

The installation of Viega products must take place in accordance with the general rules of engineering and the Viega instructions for use.

1.2 Labelling of notes

Warning and advisory texts are set aside from the remainder of the text and are labelled with the relevant pictographs.



DANGER!

This symbol warns of possible life-threatening injury.



WARNING!

This symbol warns of possible serious injury.



CAUTION!

This symbol warns of possible injury.



NOTICE!

This symbol warns of possible damage to property.



This symbol gives additional information and hints.

1.3 About this translated version

This instruction for use contains important information about the choice of product or system, assembly and commissioning as well as intended use and, if required, maintenance measures. The information about the products, their properties and application technology are based on the current standards in Europe (e.g. EN) and/or in Germany (e.g. DIN/DVGW).

Some passages in the text may refer to technical codes in Europe/Germany. These should serve as recommendations in the absence of corresponding national regulations. The relevant national laws, standards, regulations, directives and other technical provisions take priority over the German/European directives specified in this manual: The information herein is not binding for other countries and regions; as said above, they should be understood as a recommendation.

2 Product information

2.1 Standards and regulations

The following standards and regulations apply to Germany / Europe and are provided as a support feature.

Regulations from section: Application areas

Scope / Notice	Regulations applicable in Germany
Tested fire behaviour	DIN 4102-11
General type approval (aBG)	Z-19.53-2535

Regulations from section: Media

Scope / Notice	Regulations applicable in Germany
Typical domestic wastewater	DIN 1986-3

2.2 Intended use

2.2.1 Areas of use

The fire protection pipe lead-in is connected to horizontal drain pipelines from bathroom/floor drains or siphons.

It allows the lead in of the drainpipes through drill holes or floor openings. The floor must have a fire resistance class of F30–F120 and be at least 100 mm thick. Prerequisite for this is a minimum total floor thickness, including bonded screed or floor installation panels, of 150 mm.

Only drains which have an odour trap may be connected using the polypropylene pipe contained in the scope of delivery.

For tests of the fire behaviour and building inspection supervision, see [↪ 'Regulations from section: Application areas' on page 5.](#)

2.3 Product description

2.3.1 Overview

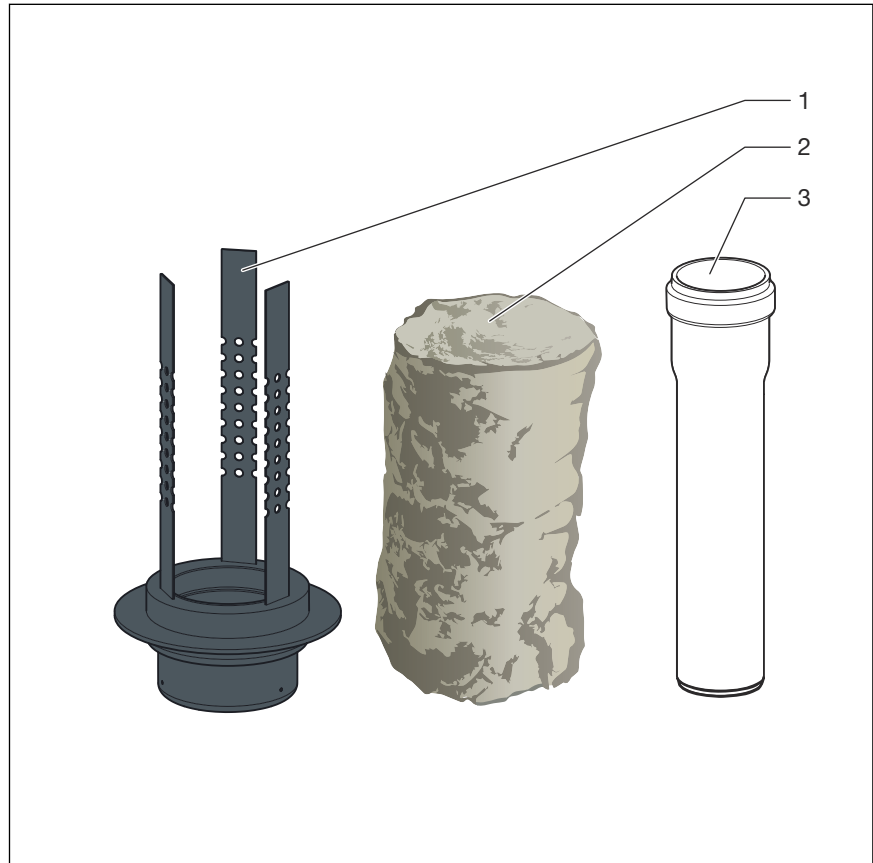


Fig. 1: Fire protection pipe lead-in

- 1 Advantix pipe lead-in R 120
- 2 rockwool
- 3 Drainpipe, non-flammable

2.3.2 Technical data

Nominal width [DN]	50
Material (pipe)	Polypropylene

2.3.3 Operating mode

Principle

In the case of fire, a conventional drain and a drainpipe made of plastic will melt and drip away within just a few minutes. Then there is an opening between two storeys, through which fire can spread.

The fire protection pipe lead-in can resist fire for up to 120 minutes, without fire and smoke spreading through the ceiling. Because the fire protection element contains a mass, which swells up at 150 °C and closes the empty areas in the lead-in completely.

The mounting brackets hold the fire protection pipe lead-in in the ceiling, even if the lower part of the casting compound breaks away.

Time elapsed

After 4 minutes

approx. 460 °C: The plastic pipe is becoming malleable.

After 8 minutes

approx. 625 °C: The plastic pipe is melted. The mass begins to swell and to fill the entire drill hole.

After 25 minutes

approx. 800 °C: Drill hole and connection are completely closed. The water trap remains largely in tact.

2.4 Information for use

2.4.1 Installation variations

The pipe lead-in can be mounted in the following way:

- in a floor recess
- in a drill hole



NOTICE!

The creation of a floor recess must be agreed with the following people:

- a structural engineer
- the on-site fire protection inspector or the specialist engineer for fire protection

If necessary, proof of compliance with building code or an expert's report must exist.

3 Handling

3.1 Assembly information

3.1.1 Important note

Assembly with small floor thickness

The pipe lead-in can be employed in floors at least 100 mm thick through drill holes, if the total floors thickness including bonding screed or floor installation panels is at least 150 mm.

Thinner floor thicknesses can be increased to a thickness of 150 mm by adding mortar strengthened with non-combustible floor installation panel (e. g. made of calcium silicate).

Notes on the use of floor installation panels

- Mounting is allowed *on* or *under* the floor. Fastening must be carried out using end-to-end threaded rods \geq M8.
- If floor installation panels or concrete bases are to be used to reach the required fire resistance class, they must be at least 100 mm around the drill hole and laid at least 30 mm thick.

3.1.2 Installation dimensions

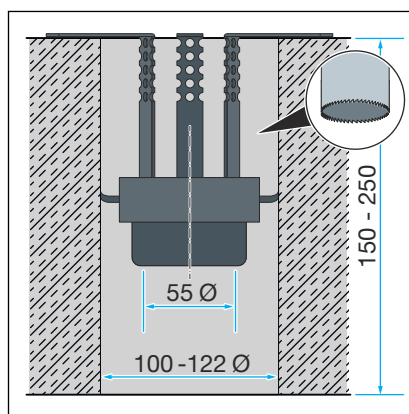


Fig. 2: Dimensional drawing for model 4923.5

3.1.3 Tools and materials

Special tools

- For drill hole:
Drill with drilling bit \varnothing 100–122 mm

Material

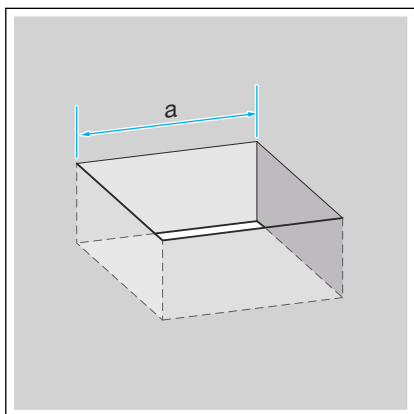
- For floor openings:
control panel or similar for closing the floor opening from below
- Empty pipe made of plastic, d 110
- Mortar (MG II, IIa or III)

3.2 Assembly

3.2.1 Mounting the drain

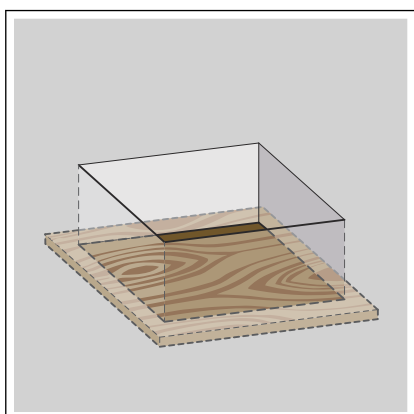
The model can be installed in a ceiling recess or a drill hole.

Installation in a ceiling recess

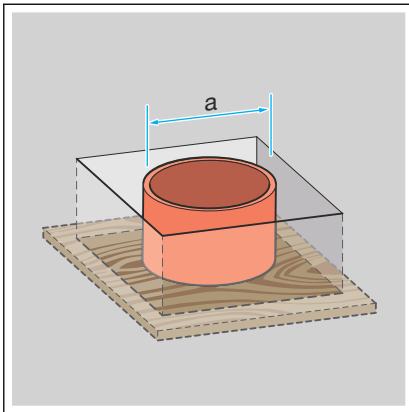


- Create the floor opening.

a = approx. 150 mm

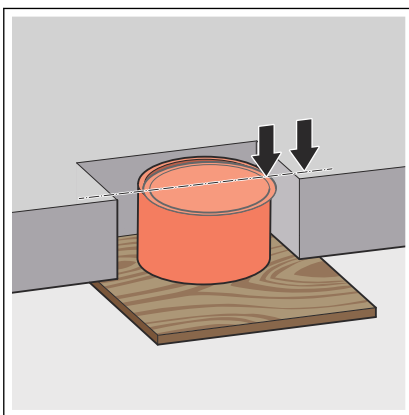


- Close the floor opening from below (e.g. with a switch panel).

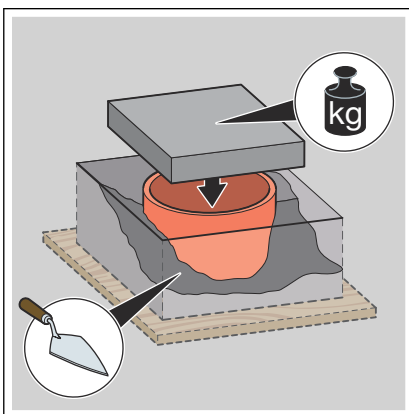


- Place a plastic pipe in the middle of the recess.

$$a = d / 110$$

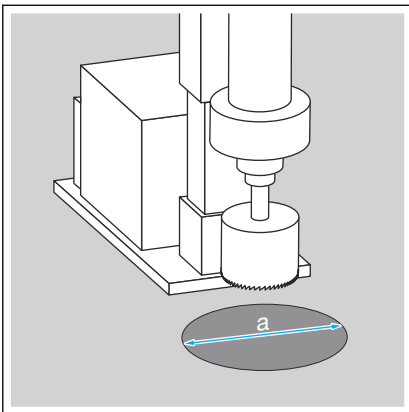


- Ensure that the upper edge of the empty pipe closes flush with the upper edge of the floor.



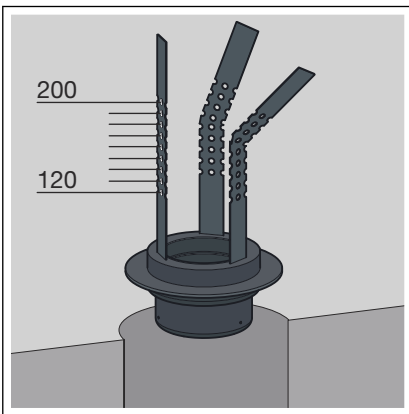
- Fasten the empty pipe.
- Encase the empty pipe up to the upper edge with MG II, IIa or III and allow to set.
- Remove the casing after hardening.

Installation in drill hole

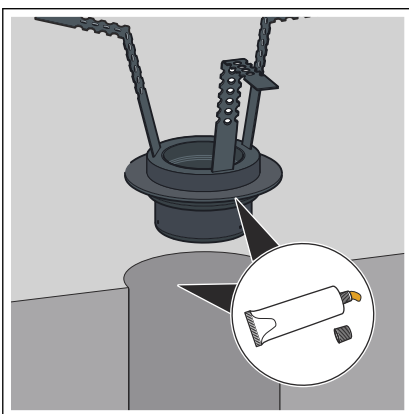


- Create the drill hole.
 $a = d \ 100-122$

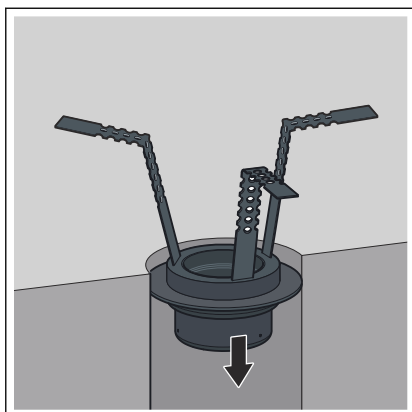
3.2.2 Mounting pipe lead-in



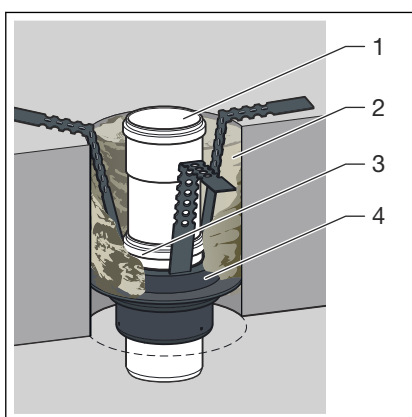
- Remove the box.
- Bend the bracket depending on the floor thickness.



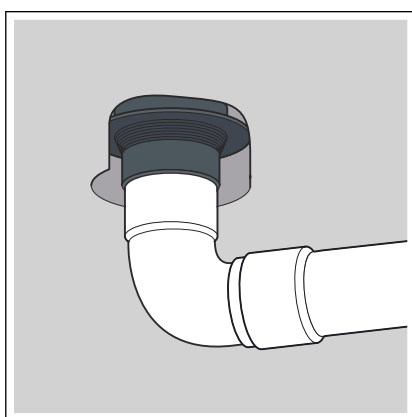
- Apply the lubricant to the seal ring and in the floor opening/drill hole.



- Insert the pipe lead-in.

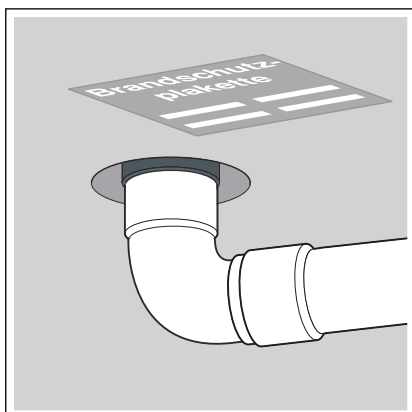


- Push the drainpipe (3) supplied up to the middle of the coupling (4) into the pipe lead-in.
- Extend with a second pipe (1) up to the upper edge of the floor.
- Close the hollow space (2) with mineral fibre wool or mortar.



NOTICE! A suitable adapter must be used to connect to a pipe made of cast iron.

- Connect pipe end to the wastewater pipe.



- Fill in and attach the sticker supplied.
- ☐ The pipe lead-in has been mounted.



NOTICE!

The odour trap in the connected drain must be fully filled with water. Only then is the flawless functioning in case of fire guaranteed.

3.3 Disposal

Separate the product and packaging materials (e. g. paper, metal, plastic or non-ferrous metals) and dispose of in accordance with valid national legal requirements.

Disposal after fire

If fire protection material is involved in a fire, there may be residues which need to be specially treated. After a fire, secure the services of a company specialising in disposal of fire-damaged materials.



Viega GmbH & Co. KG
service-technik@viega.de
viega.com

INT • 2022-08 • VPN210298

